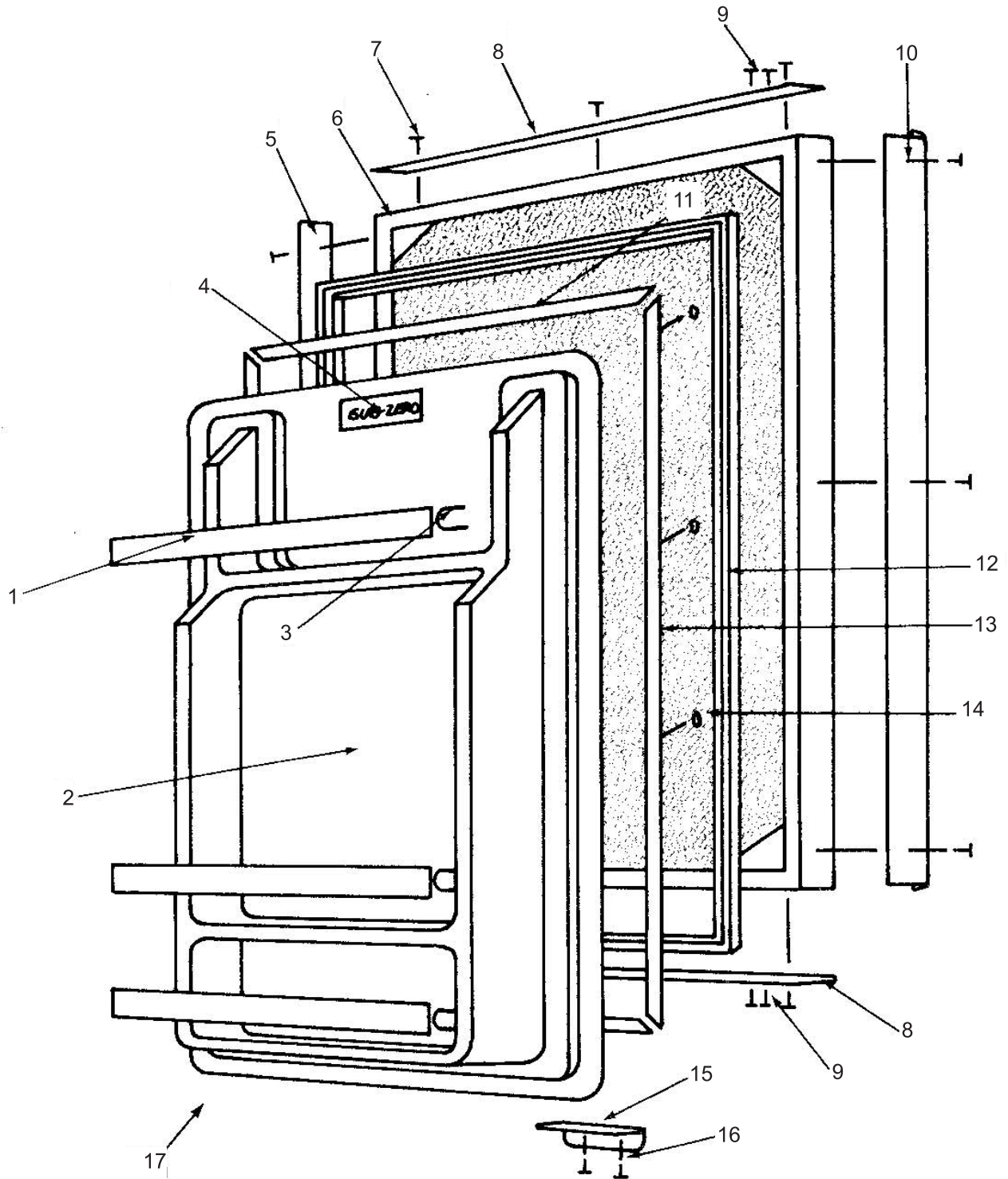


**249RP DOOR PARTS LIST**

<u>Ref #</u>	<u>Part #</u>	<u>Description</u>
1.	3510090	Shelf Guard (See SN Breaks)
	3515980	Shelf Guard (See SN Breaks)
2.	4131941	Door Assy, RH Ref 249R/RP (Liner not sold separately)
	4131942	Door Assy, LH Ref 249R/RP (Liner not sold separately)
3.	4200360	Shelf Bar "Clip" (See SN Breaks)
	3450390	Shelf Bar "U" Clip (See SN Breaks)
4.	3580010	Nameplate, 1-1/4" x 3-7/8"
5.	2229802	Trim, Door Side
6.	4131941	Door Assy, RH Ref 249R/RP (Shell not sold separately)
	4131942	Door Assy, LH Ref 249R/RP (Shell not sold separately)
7.	6200040	Screw, #4-24 x 1/2" Truss Head
8.	2229801	Trim, Door T/B
9.	6110020	Bolt, #10-24 x 3/8" Truss Head
10.	2218901	Door Handle
11.	3420180	Top and Bottom Gasket Retainer, 22.125"
12.	3210180	Gasket, Door 23-5/16X29-11/16
13.	3420210	Side Gasket Retainer, 29.188"
14.	6200410	Screw, #8 x 1/2" Slot Head Hex
15.	0180280	Switch Depressor, Black
16.	6200230	Screw, #8-18 x 1/2" Hex Head
17.	4131941	Door Assy, RH Ref 249R/RP
	4131942	Door Assy, LH Ref 249R/RP



249RP DOOR VIEW

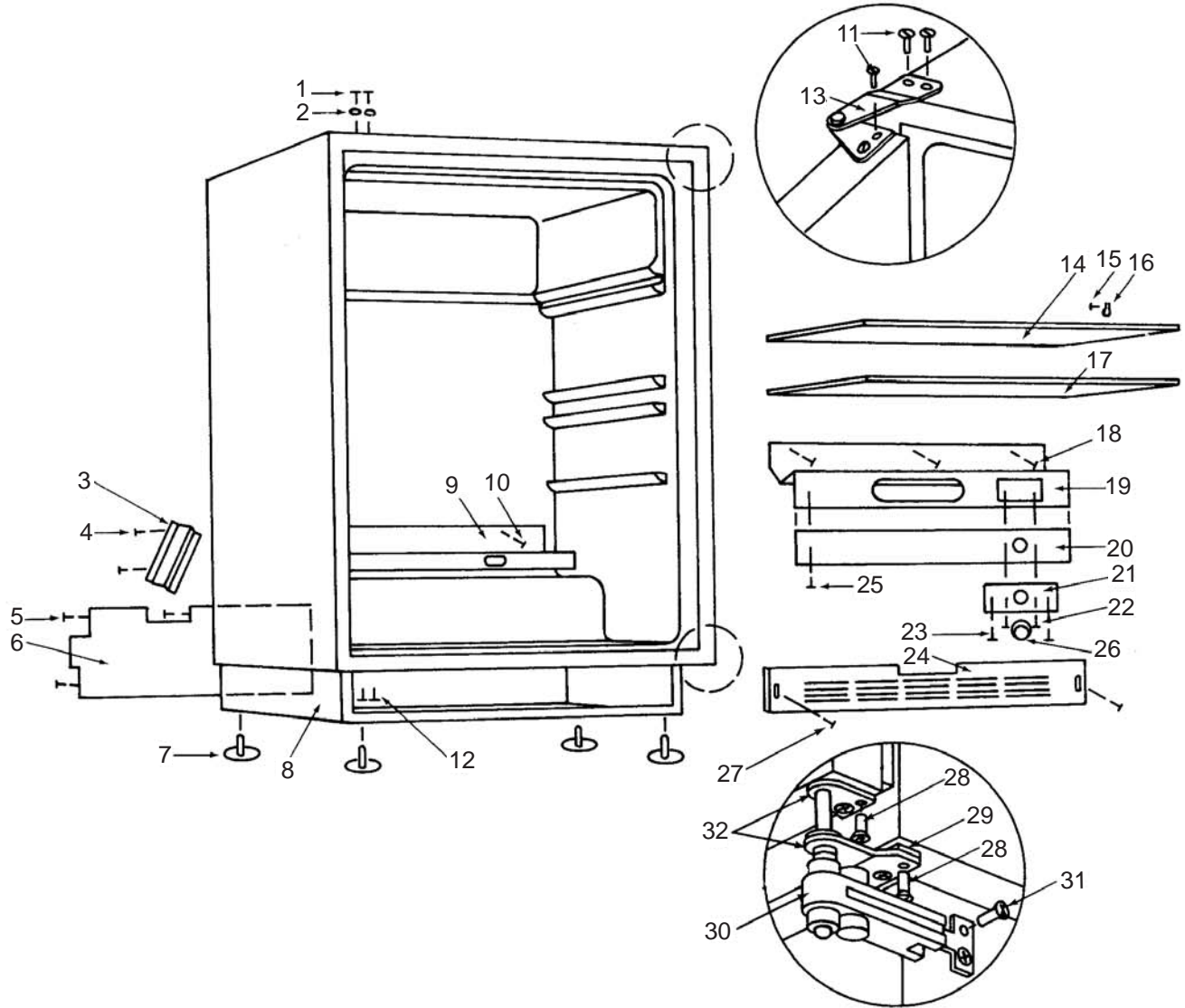


249RP COSMETIC / MECHANICAL PARTS LIST

<u>Ref #</u>	<u>Part #</u>	<u>Description</u>
1.	6110010	Bolt, #10-24 x 1/2" Flat Head
2.	6240010	Finish Washer, #10 Stainless Steel
3.	0860880	Wire Cover
4.	6200020	Screw, #7-16 x 1/2" Pan Head
5.	6200230	Screw, #8-18 x 1/2" Hex Head
6.	0862190	Back Shroud
7.	3570050	Leveling Leg, #18-3/8 x 1"
8.	4110300	Base Assembly
9.	4160130	Light Bracket
10.	6200080	Screw, #8-15 x 1/2" Truss Head
11.	6110010	Bolt, #10-24 x 1/2" Flat Head
12.	6110020	Bolt, #10-24 x 1/2" Truss Head
13.	3540010	Door Hinge, Upper Right
	3540020	Door Hinge, Upper Left
14.	3600010	Wire Shelf, 20-1/4" x 13-1/2"
15.	6200080	Screw, #8-15 x 1/2" Truss Head
16.	6120030	Plastic Tube Clamp, 1/4"
17.	3600010	Wire Shelf, 20-1/4" x 13-1/2"
18.	6200080	Screw, #8-15 x 1/2" Truss Head
19.	0910110	Drip Trough
20.	2801401	Drip Diffuser, 2.75" x 18.25"
21.	3012090	Faceplate, 1-7/8" x 4-5/16"
22.	6110050	Screw, #8-32 x 3/8" Truss Head
23.	6200140	Screw, #8-15 x 3/8" Truss Head
24.	3560080	Kickplate, 23-7/8"
25.	6200140	Screw, #8-15 x 3/8 Truss Head
26.	3012410	Control Knob
27.	6200080	Screw, #8-15 x 1/2" Truss Head
28.	6110010	Bolt, #10-24 x 1/2 Flat Head
29.	0861690	Shim, Bot Door Hinge
30.	3540810	Closer, Door 150Lb
31.	6200050	Screw, #10-12 x 1/2"
32.	3540020	Door Hinge, Lower Right (See SN Breaks)
	3540790	Bottom Door Hinge, RH (See SN Breaks)
	3540010	Door Hinge, Lower Left (See SN Breaks)
	3540800	Bottom Door Hinge, LH (See SN Breaks)



249RP COSMETIC / MECHANICAL VIEW



Starting with Serial No. 356747

249RP SEALED SYSTEM PARTS LIST

<u>Ref #</u>	<u>Part #</u>	<u>Description</u>
1.	6160050	Spacer, 7/32" x 3/8" 1-1/8"
2.	4211210	Evaporator/Heat Exchanger Assembly
3.	6200170	Screw, #10-16 x 1-1/2" Pan Head
4.	NOTE:	See pages B & C at front of Price List
5.	6110340	Screw, #6-32 x 1/4" Slot Head
6.	NA	
7.	3110620	Terminal Cover
8.	3150010	Rubber Mount, 5/8" x 1-1/4"
9.	3450040	Compressor Clip, 7/8" x 3/16"
10.	NOTE:	See pages B & C at front of Price List
11.	6110030	Bolt, #10-24 x 1/2 Round Head
12.	4160120	Refrigerator Control Bulb Clamp
13.	3022310	Black Power Cord
14.	1601400	Drain Tube, 1/2" x 6'
15.	3490030	Drip Cup, 4-3/8"
16.	6120050	Plastic Tube Clamp, 5/8"
17.	6200020	Screw, #7-16 x 1/2" Pan Head
18.	4201670	Compressor, (EM30SC) (See SN Breaks)
	4201880	Compressor (EMI30HER) (See SN Breaks)
19.	3014230	Drier, 1/4" x .083"
20.	6200010	Screw, #10-12 x 3/4" Pan Head
21.	0163150	Drain Pan
22.	6200020	Screw, #7-16 x 1/2" Pan Head
23.	6120010	Tube Clamp; Steel w/Run, 5/16"
24.	6200020	Screw, #7-16 x 1/2" Pan Head
25.	3060030	Door Switch, Normally Closed (Light)
26.	0861340	Bracket, Single Switch
27.	3120010	Condenser (See SN Breaks)
	3120260	Condenser (See SN Breaks)
	3120300	Condenser (See SN Breaks)
28.	3220160	Grommet, 3/16" x 7/16" x 9/32"
29.	2801602	Condenser Fan Bracket, 2-1/4"
30.	6200430	Screw, #8-18 x 1/2" PH Type B Pan Head
31.	4200740	Condenser Fan Motor; 1.5 Watt, 4 Pole
32.	3210340	Neoprene Silencer, 7/8"
33.	3150030	Fan Blade; 5 Prop, 6-3/4"
34.	6150410	Nut, 1/4-20
35.	4211210	Evaporator/Heat Exchanger Assembly
36.	3090010	Compressor Base Valve (Incl Cap)
37.	3090010	Compressor Base Valve (Incl Cap)
38.	6150030	Nut, #10-24 Hex Stainless Steel
39.	3520120	Brass Insert, 3/16" x 9/32"
40.	3012070	Control
41.	3050010	Light Socket, 3/4 Single (See SN Breaks)
	3050220	Socket, Light Base Sngl (See SN Breaks)
42.	3030010	Light Bulb; 25 Watt, 7/8" x 5-1/2"
43.	6200490	Screw, #8-32 x 3/8 Type 25 Slotted Hex

249RP SEALED SYSTEM VIEW

