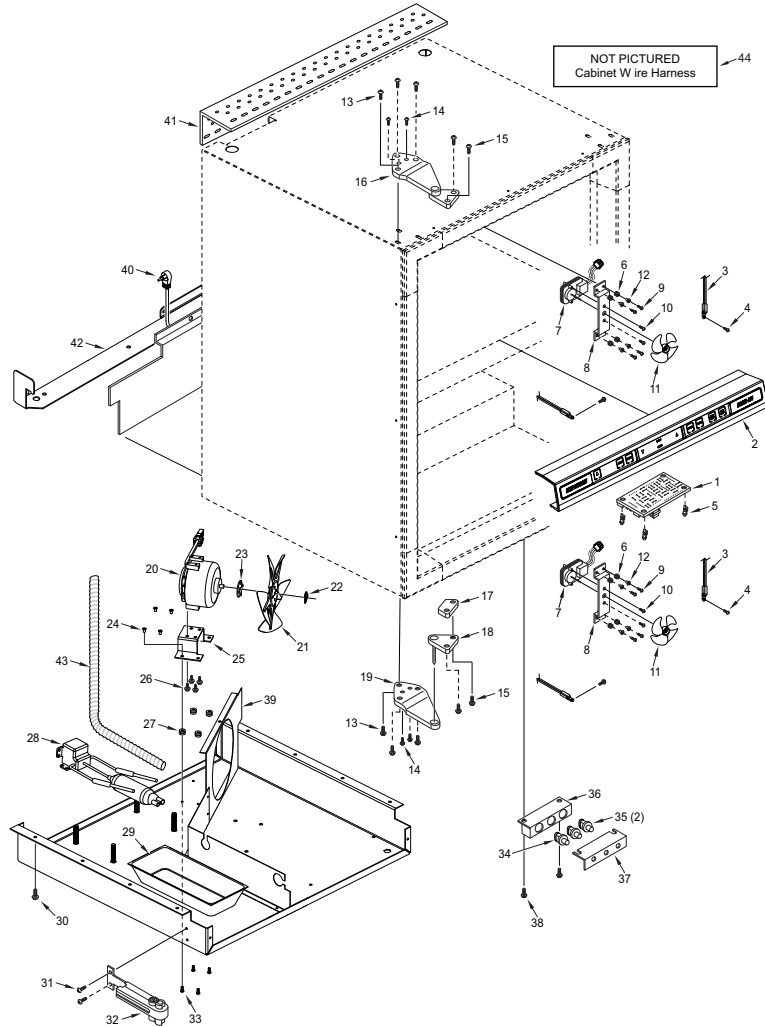




SERVICE PARTS MANUAL



WINE STORAGE (400-2) SERIES



INTRODUCTION

This Sub-Zero Service Parts Manual, Part #3758406, has been compiled with the latest service parts information.

NOTE: The following may be contained in, or after part descriptions:

- B = carBon Unit
P = Platinum Unit
S = classic Stainless steel

(See SN Breaks) = See Serial Number Breaks in Price List
(PTS #.....) = Prior To Serial Number.....
(SWS #.....) = Starting With Serial Number.....

TECHNICAL ASSISTANCE

With questions regarding a Sub-Zero appliance and/or this manual, please contact:

Sub-Zero, Inc.
ATTN: Service Department
P.O. Box 44988
Madison, WI 53744-4988

Customer Service & Parts / Warranty Claims
Phone #: (800) 222 - 7820

Technical Assistance
Phone #: (800) 919 - 8324

Customer Service & Technical Assistance
Facsimile #: (608) 441 - 5887

Parts / Warranty Claims
Facsimile #: (608) 441 - 5886

Service Department e-mail Address
customerservice@wolfappliance.com

Office Hours:
7:00 AM to 7:00 PM Central Time
Monday through Friday

TABLE OF CONTENTS

Table with 2 columns: Model Name and Page #. Includes entries for Model 424-2 Door, Model 424-2 Cosmetic, Model 424FS-2 Unique Cosmetic, Model 424-2 Mechanical, Model 424-2 Sealed System, Model 427-2 Door, Model 427-2 Cosmetic, Model 427-2 Mechanical, Model 427-2 Sealed System, Model 427R-2 Door, Model 427R-2 Cosmetic, Model 427R-2 Mechanical, Model 427R-2 Sealed System, Model 430-2 Door, Model 430-2 Cosmetic, Model 430-2 Mechanical, Model 430-2 Sealed System.

This manual is designed to be used by Authorized Service Personnel only. Sub-Zero, Inc. assumes no responsibility for any repairs made to Sub-Zero appliances by anyone other than Authorized Service Technicians.

The information and images contained in this manual are the copyright property of Sub-Zero, Inc. Neither this manual nor any information or images contained herein may be copied or used in whole or in part without the express written consent of Sub-Zero, Inc. ©, all rights reserved.

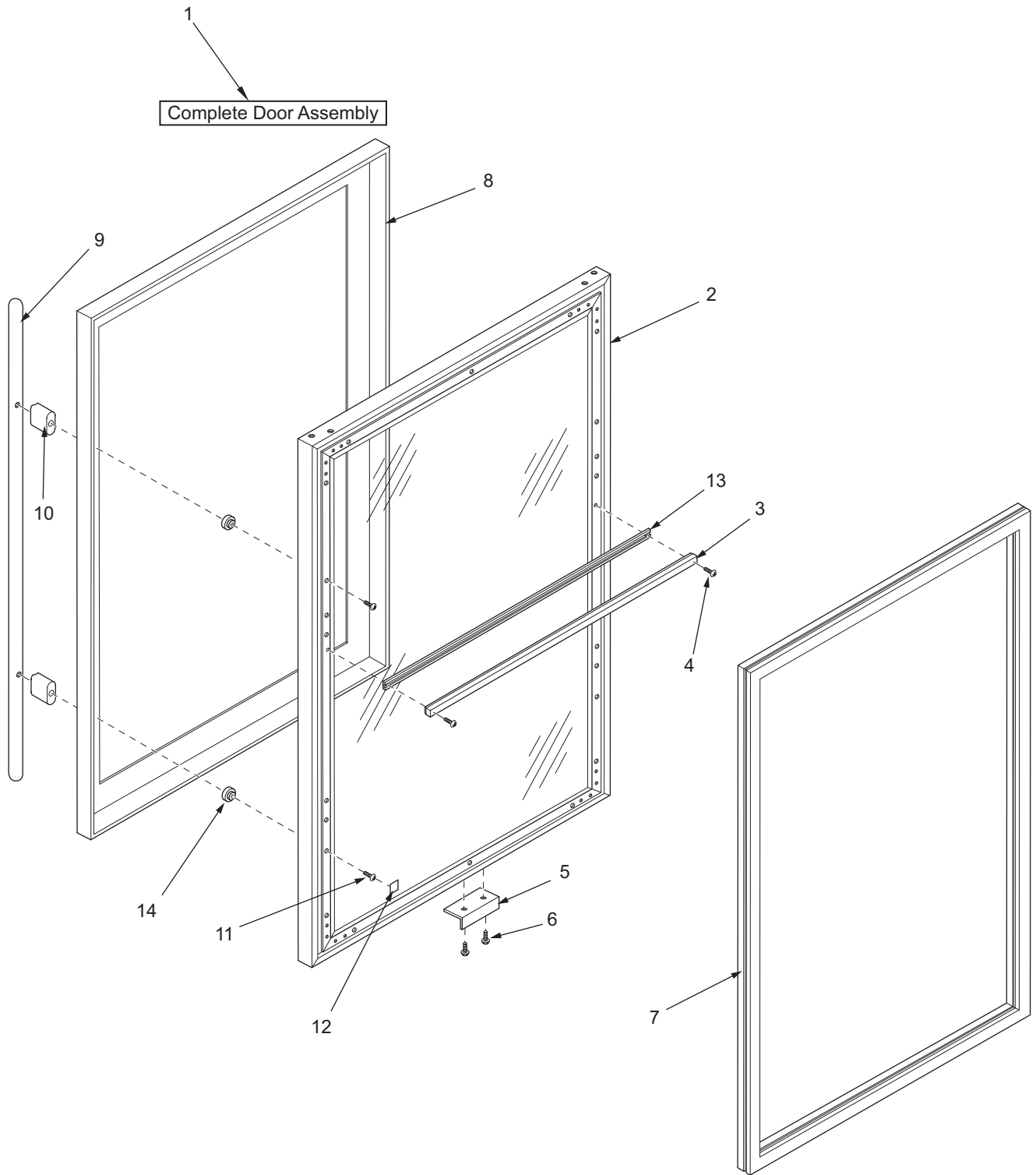


424-2 DOOR PARTS LIST

Ref #	Part #	Description	Ref #	Part #	Description
1.	4134180	Door Assy, SRVC - 424G/O (See SN Breaks)	2.	NA	Must Order Complete Door Assembly
	7005923	Door Assy, Glass SRVC - 424G/O (See SN Breaks)	3.	3212020	Seal, Center
	4134361	Door Assy, HAG 424/O (See SN Breaks)	4.	6201360	Screw, #4 x 3/4" Ph Pan Hd Type A
	7005926	Door Assy, HAG 424 SVCE (RH & LH) (See SN Breaks)	5.	3450990	Switch Depressor, Blk (See SN Breaks)
	4134190	Door Assy, Srvc - 424G/S RH (See SN Breaks)		3450991	Switch Depressor, Slvr (See SN Breaks)
	7005913	Door Assy, RH Stainless Svce (See SN Breaks)		7006471	Brkt, Switch Dprsr Svce (See SN Breaks)
	4134200	Door Assy, Srvc - 424G/S LH (See SN Breaks)	6.	6200050	Screw, #10-12 x 1/2" Pan HD
	7005914	Door Assy, LH Stainless Svce (See SN Breaks)	7.	3211950	Gasket, Door
	4134371	Door Assy, HAG 424G/S RH (See SN Breaks)	8.	4203150	SS Door Panel Pkg, Glass-424RH
	7005921	Door Assy,RH HAG SS Svce (See SN Breaks)		4203160	SS Door Panel Pkg, Glass-424LH
	4134372	Door Assy, HAG 424G/S LH (See SN Breaks)		4135141	Door Skin Assy,SRVC-424G/B-RH
	7005922	Door Assy,LH HAG SS Svce (See SN Breaks)		4135142	Door Skin Assy,SRVC-424G/B-LH
	4135045	Door Assy,SRVC-424G/B-RH		4135151	Door Skin Assy,SRVC-424G/P-RH
	4135046	Door Assy,SRVC-424G/B-LH		4135152	Door Skin Assy,SRVC-424G/P-LH
	4135047	Door Assy,Srvc-424HAG/B-RH		4134161	Door Skin Assy,SRVC -424S/B-RH
	4135048	Door Assy,Srvc-424HAG/B-LH		4134162	Door Skin Assy,SRVC-424S/B-LH
	4135055	Door Assy,SRVC-424G/P-RH		4134171	Door Skin Assy,SRVC-424S/P-RH
	4135056	Door Assy,SRVC-424G/P-LH		4134172	Door Skin Assy,SRVC-424S/P-LH
	4135057	Door Assy,Srvc-424HAG/P-RH		4203190	SS Door Panel Pkg, Solid-424RH
	4135058	Door Assy,Srvc-424HAG/P-LH		4203200	SS Door Panel Pkg, Solid-424LH
	4134210	Door Assy, SRVC-424S/O (See SN Breaks)		4135161	Door Skin Assy,SRVC-424S/B-RH
	7005924	Door Assy, Solid 424/O SVCE (RH & LH) (See SN Breaks)		4135162	Door Skin Assy,SRVC-424S/B-LH
	4134220	Door Assy, SRVC-424S/S-RH (See SN Breaks)		4135171	Door Skin Assy,SRVC-424S/P-RH
	7005917	Door Assy, RH S/S Svce (See SN Breaks)		4135172	Door Skin Assy,SRVC-424S/P-LH
	4134230	Door Assy, SRVC-424S/S-LH (See SN Breaks)	9.	3512030	Handle, Door SS 3/4 X 24.188 -
	7005918	Door Assy, LH S/S Svce (See SN Breaks)		3512031	Handle, Door 3/4 X 24-3/16, B -
	4135063	Door Assy,SRVC-424S/B-RH		3512032	Handle, Door 3/4 X 24-3/16, P -
	4135064	Door Assy,SRVC-424S/B-LH	10.	3512190	Standoff, SS Oval
	4135073	Door Assy,SRVC-424S/P-RH		3512191	Standoff, Oval CarBon
	4135074	Door Assy,SRVC-424S/P-LH		3512192	Standoff, Oval Platinum
			11.	6110650	Machine Screw, #10-24x2 TRHDSS
			12.	6230970	Tape, Black Poly
			13.	2813001	Holder, Compression Gasket - 21.5
				2813101	Holder, Compression Gasket - 21.5 -
			14.	6160250	Spacer, Door Hndl-(SS,carBon,Platinum)

NOTE: Door Assy's do NOT include hinges or switch depressor.

424-2 DOOR VIEW



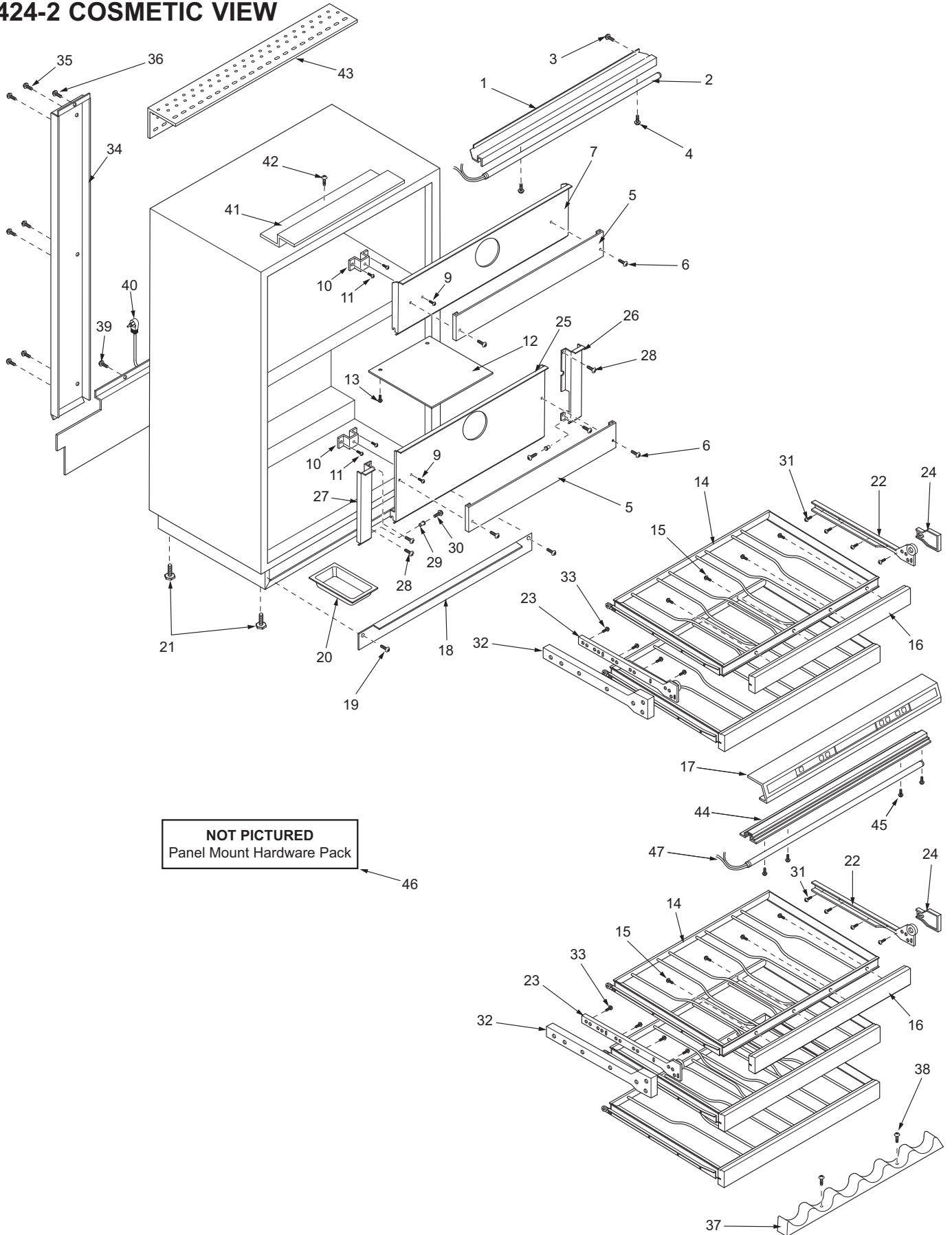


424-2 COSMETIC PARTS LIST

<u>Ref #</u>	<u>Part #</u>	<u>Description</u>	<u>Ref #</u>	<u>Part #</u>	<u>Description</u>
1.	3511670	Light Strip Housing, Upr (See SN Breaks)	23.	3413552	Slide, Cabinet LH
	7006468	Bracket, Light Svce (See SN Breaks)	24.	3421830	Spacer, Slide (Handle Side)
2.	3030150	Light Strip, 15 WATT	25.	7004308	Cover, Evap Lwr Srvc
3.	6201270	Screw, #8-18 x 5/8" PH PN SS-Gnd	26.	0200941	Evap Sprt, RH Lwr Srvc
4.	6201310	Screw, #8 x 1-3/4" Flat PH HD	27.	0200951	Evap Sprt, LH Lwr Srvc
5.	0212321	Diffuser, Evap Fan Srvc	28.	6201270	Screw, #8-18 x 5/8" PH PN SS-Gnd
6.	6201010	Screw, #8-15 x 2" Pan Head	29.	3520120	Brass Insert
7.	7004307	Cover, Evap Upr Srvc	30.	6200130	Screw, #8-18 x 3/4" Truss HD
8.	N/A		31.	6201230	Screw, #8 x 7/8" w/a #7 PH FT Head
9.	6200060	Screw, #8-32 x 1/2" Pan HD	32.	3421820	Spacer, Slide Sprt (Hinge Side)
10.	0169391	Bracket Grounding, SRVC	33.	6201240	Screw, #8X1-3/8" w/a #7 PH FT Head
11.	6201270	Screw, #8-18 x 5/8" PH PN SS-Gnd	34.	0168851	Duct, Back Srvc
12.	4152220	Pnl Assy, Srvc Acc	35.	6201240	Screw, #8 x 1-3/8" w/a #7 PH FT Hd
13.	6200720	Screw, #8-18 x 1/2 PH Truss HD	36.	6200060	Screw, #8-32 x 1/2" Pan HD
14.	4181720	Rack Assy, Wine	37.	3413600	Rack, Bot
15.	6201420	Screw	38.	6201290	Screw, #8-15 PH PN HD SS, White
16.	3516520	Molding, Wood Wine Rack	39.	6200010	Screw, #10-12 x 3/4" Pan HD
17.	4203100	Ctrl Panel Assy, Service 424	40.	4152000	Cvr Assy, Lwr (Incl. Power Cord)
18.	3560120	Kickplate Grille, Blk (See SN Breaks)	41.	0260200	Bracket - Ref to Countertop
	7006472	Kickplate, Black Svce (See SN Breaks)	42.	6200010	Screw, #10-12 x 3/4" Pan HD
	3560100	Kickplate Grille, Slvr (See SN Breaks)	43.	0168810	Anti Tip Bracket - 23-7/8"
	7006474	Kickplate, Silver Svce (See SN Breaks)			<i>NOTE: For Model 424FS, see 0860900</i>
19.	6200050	Screw, #10-12 x 1/2" Pan HD	44.	3511700	Housing, Lwr Light (No Lower Light)
20.	0163150	Drain Pan	45.	6201270	Screw, #8-18 x 5/8" PH PN SS-Gnd
21.	3570050	Leveling Leg, #18-3/8 x 1"	46.	6201430	Panel Mount Hdwr Pk (<i>Not pictured</i>)
22.	3413551	Slide, Cabinet RH	47.	7006466	Light Assy, StripSvce (See SN Breaks)



424-2 COSMETIC VIEW

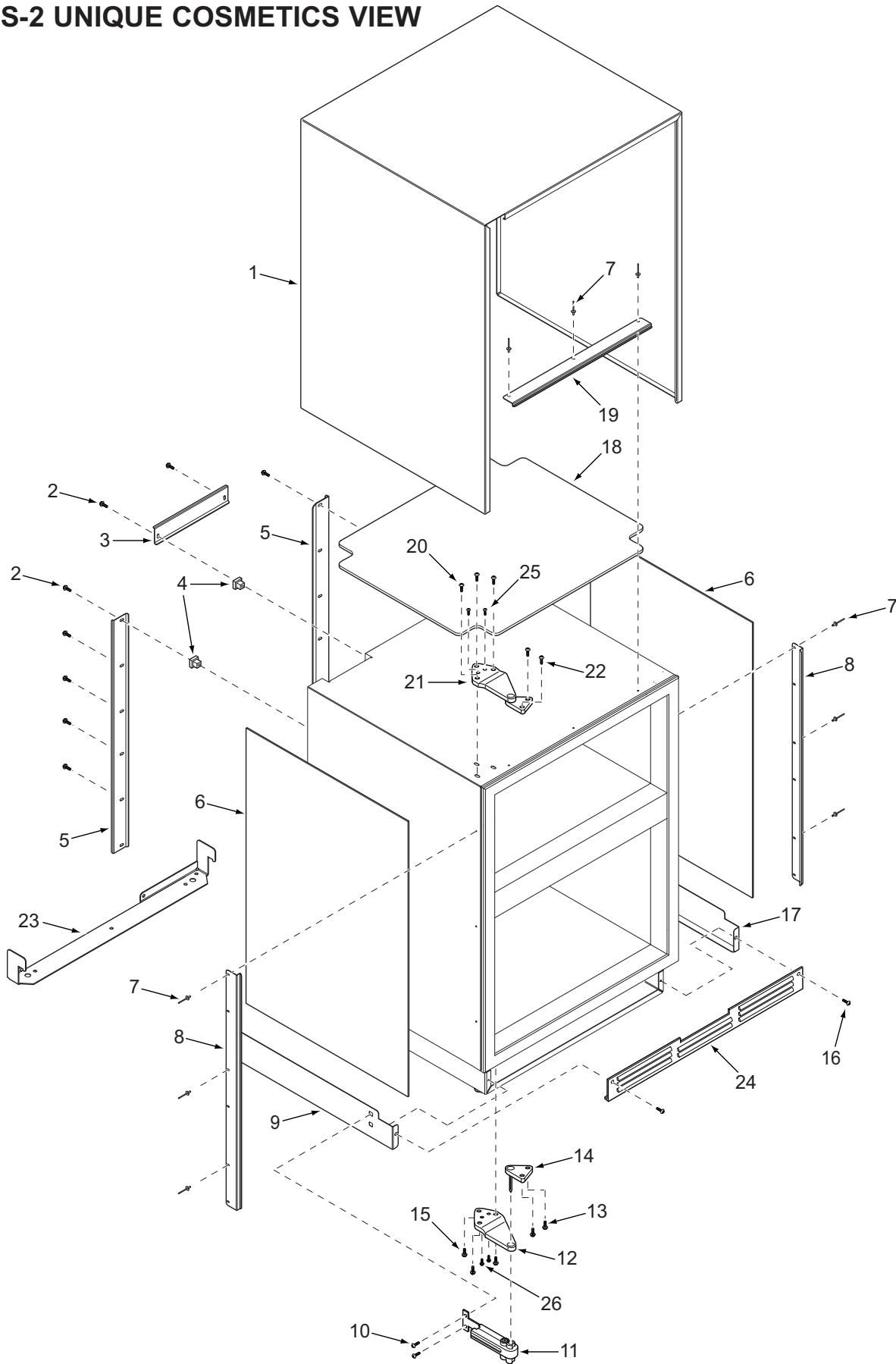




424FS-2 UNIQUE COSMETICS PARTS LIST

<u>Ref #</u>	<u>Part #</u>	<u>Description</u>	<u>Ref #</u>	<u>Part #</u>	<u>Description</u>
1.	0810101	Overlay, SS RH Srvc	14.	3541095	Hinge, Door Bottom, Silver - RH
	0810111	Overlay, SS LH Srvc		3541096	Hinge, Door Bottom, Silver - LH
2.	6200130	Screw, #8-18 x 3/4" Truss HD (10)	15.	6200780	Screw, #10-24 x 1/2" PH Hex Washer (3)
3.	4152100	Bracket, Back Top Assy	16.	6200120	Screw, #10-12 x 1/2" Truss HD
4.	6220320	Screw Grommet (10)	17.	4152131	Cover, Base - Handle Side - RH
5.	4152110	Bracket, Back Side (2)		4152132	Cover, Base - Handle Side - LH
6.	3220830	Foam Pad, 125 X 29.2 X 19.8 (2)	18.	3220820	Foam Pad, .25 X 22.8 X 19.5
7.	6180210	Pop Rivet, 1/8 X 3/16 (9)	19.	0860921	Bracket, Front TopSrvc
8.	0860911	Bracket, Front Side Srvc (2)	20.	6110540	Bolt, #10-24 x 1/2" Flat Socket HD (3)
9.	4152121	Cover, Base Assy. - Hinge Side - RH	21.	3541122	Hinge, Cabinet Top Assy Silver
	4152122	Cover, Base Assy. - Hinge Side - LH	22.	6110540	Bolt, #10-24 x 1/2" Flat Socket HD (2)
10.	6200330	Screw, #8-18 x 3/8" Pan Head (2)	23.	0860900	Bracket, Anti-Tip
11.	3540810	Door Closer	24.	3560110	Kickplate, Grille (See SN Breaks)
12.	3541112	Hinge, Cabinet Bottom-Silver		7010279	Kckplate,FreeStandSvce(See SN Breaks)
13.	6200780	Bolt, #10-24 x 1/2" Flat Socket HD (2)	25.	6200210	Screw, #8-32 x 1/2" Flat Head (2)
			26.	6201500	Screw, #10X3/4 Drill PH Hex (2)

424FS-2 UNIQUE COSMETICS VIEW



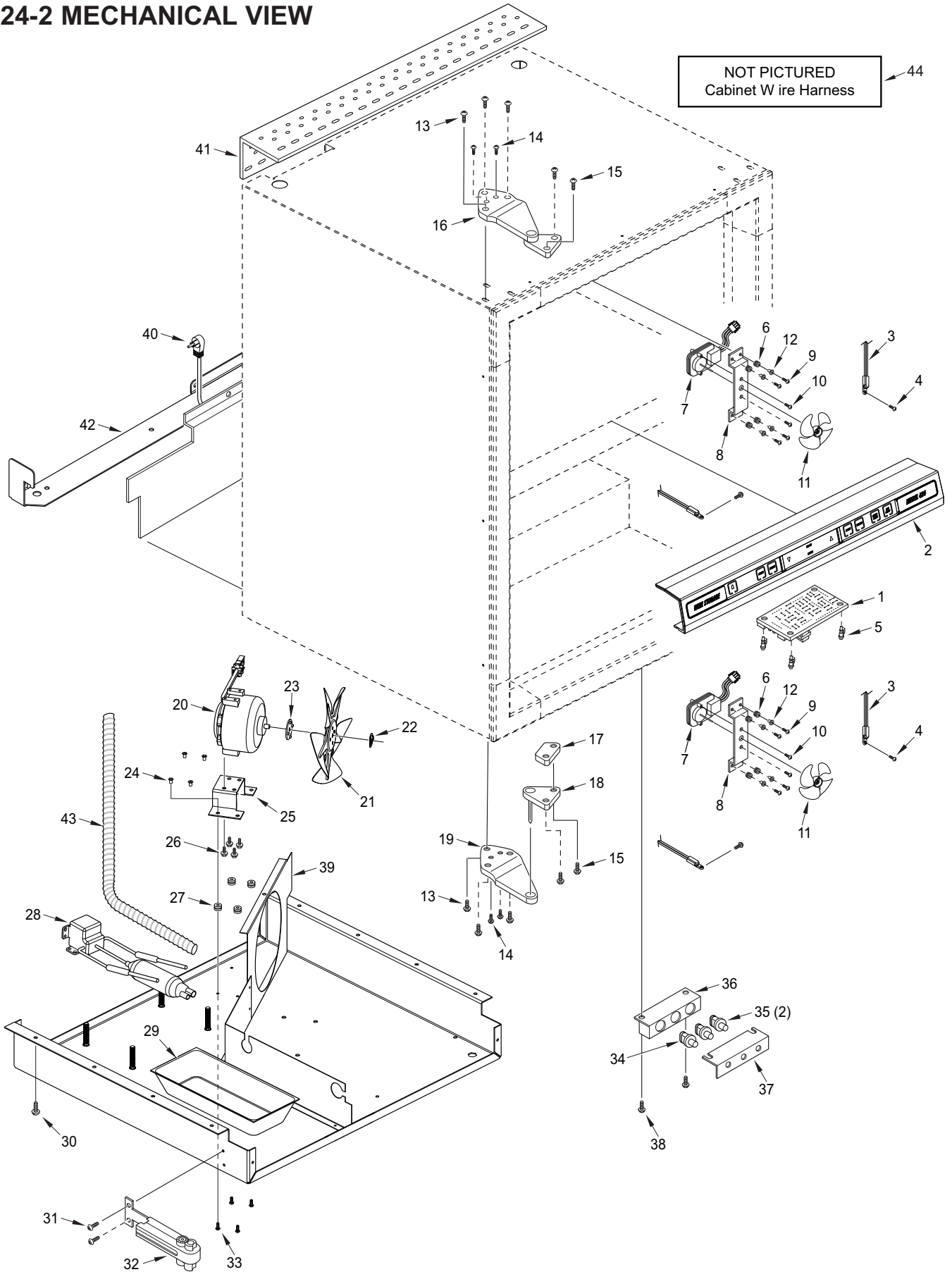


424-2 MECHANICAL PARTS LIST

Ref #	Part #	Description	Ref #	Part #	Description
1.	4204170	Control Board, Service 400	21.	3150940	Blade, Condenser Fan
	7004024	Control, Board 400 Svce (RoHS Only)	22.	6150410	Nut, 1/4-20
2.	4203100	Control Panel Pkg, SRVC - 424	23.	3210340	Neoprene Silencer, 7/8"
	7004190	Panel Assy, Cntrl 424 Svce (RoHS Only)	24.	6220290	Stand-Off, #6-32 (4)
3.	4204150	Thermistor, ASM Srvc Pkg	25.	0261051	Brkt, Cond Fan Srvc (See SN Breaks)
4.	6201270	Screw, #8-18 x 5/8" PH PN SS-Gnd		0263131	Bracket, Cond. Srvc (See SN Breaks)
5.	3450810	Circuit Board Support	26.	6201580	Screw,#8-36 X 1/2 Nylon Patch (4)
6.	3220250	Grommet, Rubber-#M5351	27.	3220160	Grommet, 3/16" x 7/16" x 9/32"
7.	4220801	Motor Assy, Evap Fan (Incl Brkt & Blade)	28.	4204160	Refrigerant Valve Assembly
8.	0212330	Bracket, Evap Fan Motor	29.	0163150	Drain Pan
9.	6201270	Screw, #8-18 x 5/8" PH PN SS-Gnd	30.	6200010	Screw, #10-12 x 3/4" Pan HD
10.	6110270	Bolt, #10-32 x 1/4" RD HD	31.	6200330	Screw, #8-18 x 3/8" Pan Head (2)
11.	3150640	Fan , Evap Fan	32.	3540810	Closer, Door 150Lb
12.	3520120	Brass Insert, Fan Bracket	33.	6200610	Screw, #6-32 x 3/8" PH Rd Hd, Zinc (4)
13.	6110540	Bolt, #10-24 x 1/2" Flat Socket HD (3)	34.	7004257	Switch, Light White Svce (N.C.)
14.	6200210	Screw, #8-32 x 1/2" Flat Head (2)		7004258	Switch, Light Black Svce (N.C.)
15.	6110540	Bolt, #10-24 x 1/2" Flat Socket HD (2)	35.	7004259	Switch, Fan White Svce (N.O.)
	6110811	Bolt, #10-24X3/4 Ph Flat Hd, B (2)		7004260	Switch, Fan Black Svce (N.O.)
16.	3541121	Hinge, Cabinet Top Assy Black	36.	0862391	Brkt, Triple Switch Srvc (See SN Breaks)
	3541122	Hinge, Cabinet Top Assy Silver		7006470	Brkt, Switch Box Svce (See SN Breaks)
17.	3541131	Shim, Door Black (Ovelay Units)	37.	0862380	Guard, Switch
18.	7004869	Hinge,Door Bot-RH Black Svce	38.	6200060	Screw, #8-32 x 1/2" Pan HD (2)
	7004872	Hinge,Door Bot-RH,Silver Svce	39.	0862221	Shroud, Cond Fan Srvc
	7004870	Hinge,Door Bot-LH,Black Svce	40.	4152000	Cvr Assy, Lwr (Incl. Power Cord)
	7004871	Hinge,Door Bot-LH,Silver Svce	41.	0168810	Anti Tip Bracket - 23-7/8"
19.	3541110	Hinge, Cabinet Bottom- Black			NOTE: For Model 424FS, see 0860900
	3541112	Hinge, Cabinet Bottom-Silver	42.	0860900	Bracket, Anti-Tip (for Model 424FS)
20.	3150930	Motor, Condenser 1 WATT	43.	1601400	Drain Tube, Wire - 1/2" x 72"
<u>NOT PICTURED:</u>					
			44.	3025730	W/H, Cab 424 (See SN Breaks)
				7006467	W/H, Cabinet Svce (See SN Breaks)



424-2 MECHANICAL VIEW



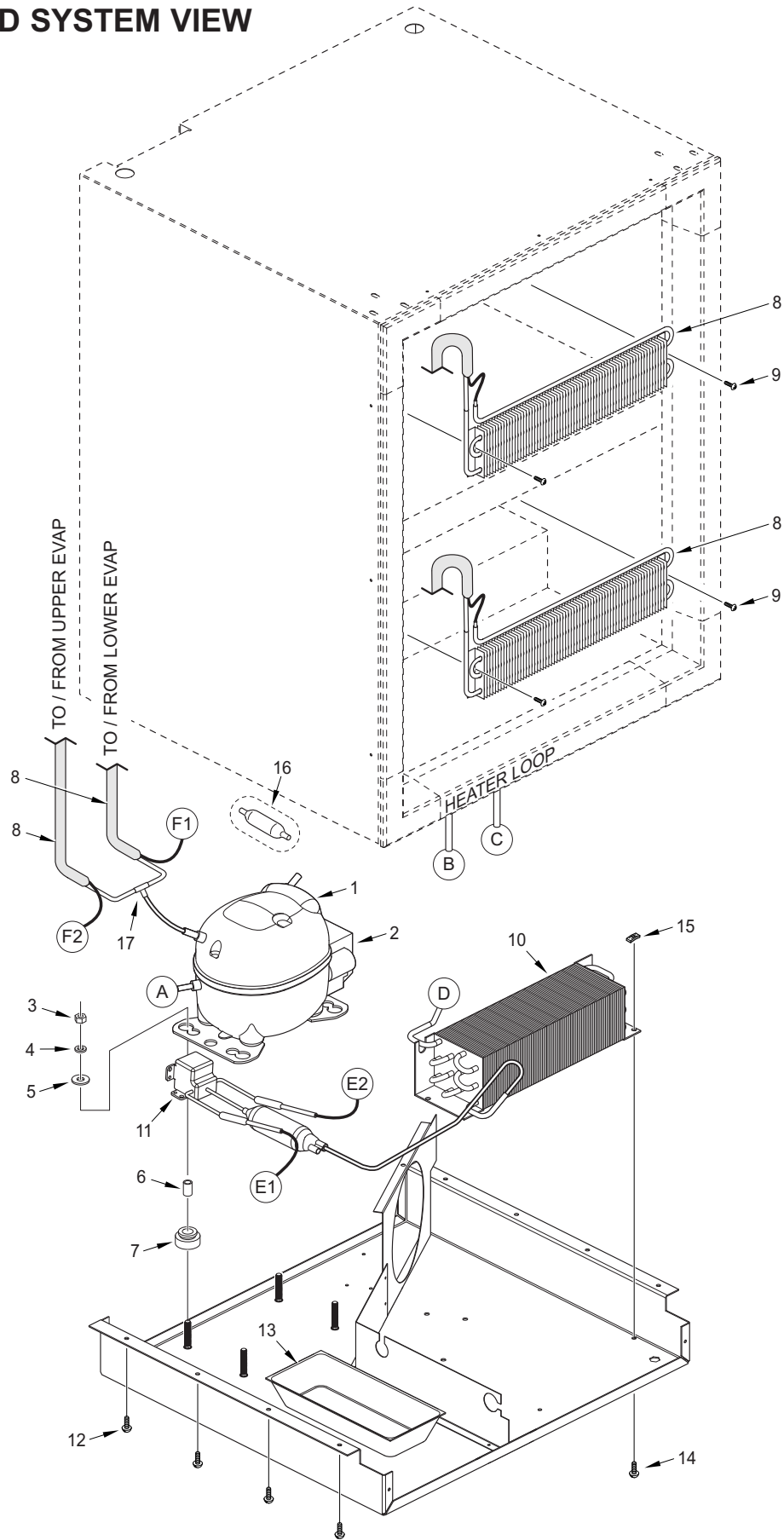


424-2 SEALED SYSTEM PARTS LIST

<u>Ref #</u>	<u>Part #</u>	<u>Description</u>
1.	4203230	Comp Pkg, Srvc Wine EMI30HER (Includes Valve Assembly)
2.	3112212	Electrical Assy, EMT30HSC Comp (Used w/Production EMT30HSC Comp)
	7005578	Capacitor, 12Mf Svce (Used w/Production EMT30HSC Comp)
	3112270	Term Cvr Spring, DC51C (Used w/Production EMT30HSC Comp)
	3111370	Relay, EMB 1351400 OR 213514008 (Used w/Service EMI30HER Comp)
	3111410	Overload, (4TM734LFB) (Used w/Service EMI30HER Comp)
3.	6150220	Nut, 5/16-18 Hex Zinc
4.	6240090	Lock Washer, 5/16"
5.	6240050	Flat Washer, 5/16"
6.	6160030	Spacer, 5/16 x 7/16 x 5/8"
7.	3150010	Rubber Grommet, Small, 5/8"
8.	4211540	Evap Assy (Includes Heat Exchanger) (See SN Breaks)
	4211541	Evap Assy, Srvc 424-2 (Includes Heat Exchanger) (See SN Breaks)
9.	6201270	Screw, #8-18 x 5/8" PH PN SS-Gnd
10.	3120300	Condenser (See SN Breaks)
	3120440	Condenser, Wire on Tube (See SN Breaks)
11.	4204160	Refrigerant Valve Assembly (Includes Drier)
12.	6200010	Screw, #10 -12 x 3/4" Pan HD
13.	0163150	Drain Pan
14.	6200110	Screw, #10 -12 x 5/8" Truss SS
15.	6150080	Nut-Flat, #10-24
16.	3014100	Suction Line Drier (Service Only)
17.	3520500	Tube, Fitting Tee-5/16"ID



424-2 SEALED SYSTEM VIEW



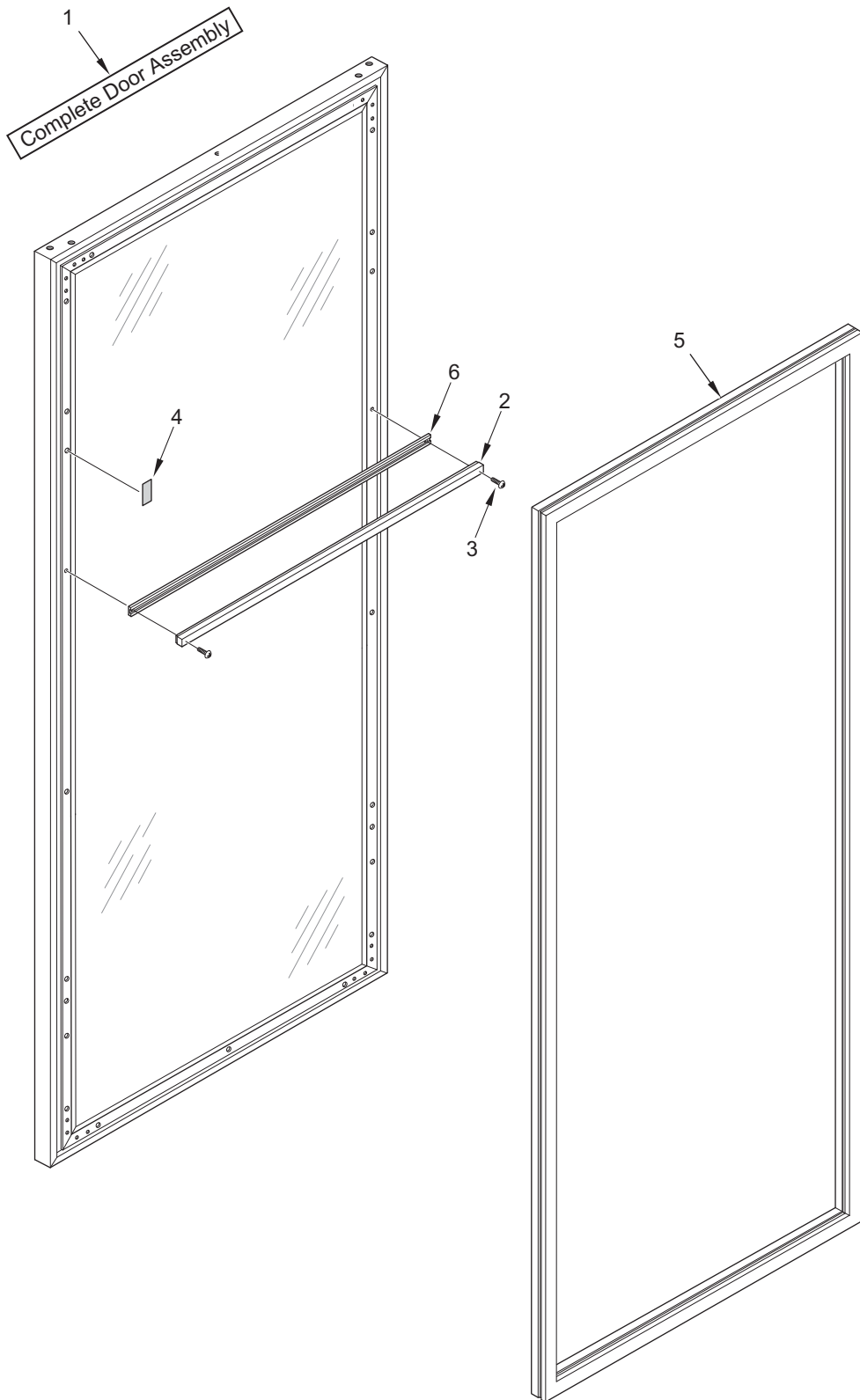


427-2 DOOR PARTS LIST

<u>Ref #</u>	<u>Part #</u>	<u>Description</u>
1.	4132743	Door Assy, Glass RH 427 Srvc
	4132744	Door Assy, Glass LH 427 Srvc
	4134381	Door Assy, HAG 427G RH
	4134382	Door Assy, HAG 427G LH
	4136490	Door Assy, Solid RH 427 Srvc
	4136491	Door Assy, Solid LH 427 Srvc
NOTE: Door Assy's do NOT include hinges, handle or switch depressor.		
2.	3212030	Seal, Center
3.	6201360	Screw, #4 x 3/4" PH PAN HD TYPE A
4.	6230970	Tape, Black Poly
5.	3211960	Gasket, Door
6.	2813201	Holder, Compression Gasket 24.4

NOTE: Door panels on this model are a Sales Accessory. For part numbers of complete door panel sets or components of the door panel sets, contact the factory.

427-2 DOOR VIEW



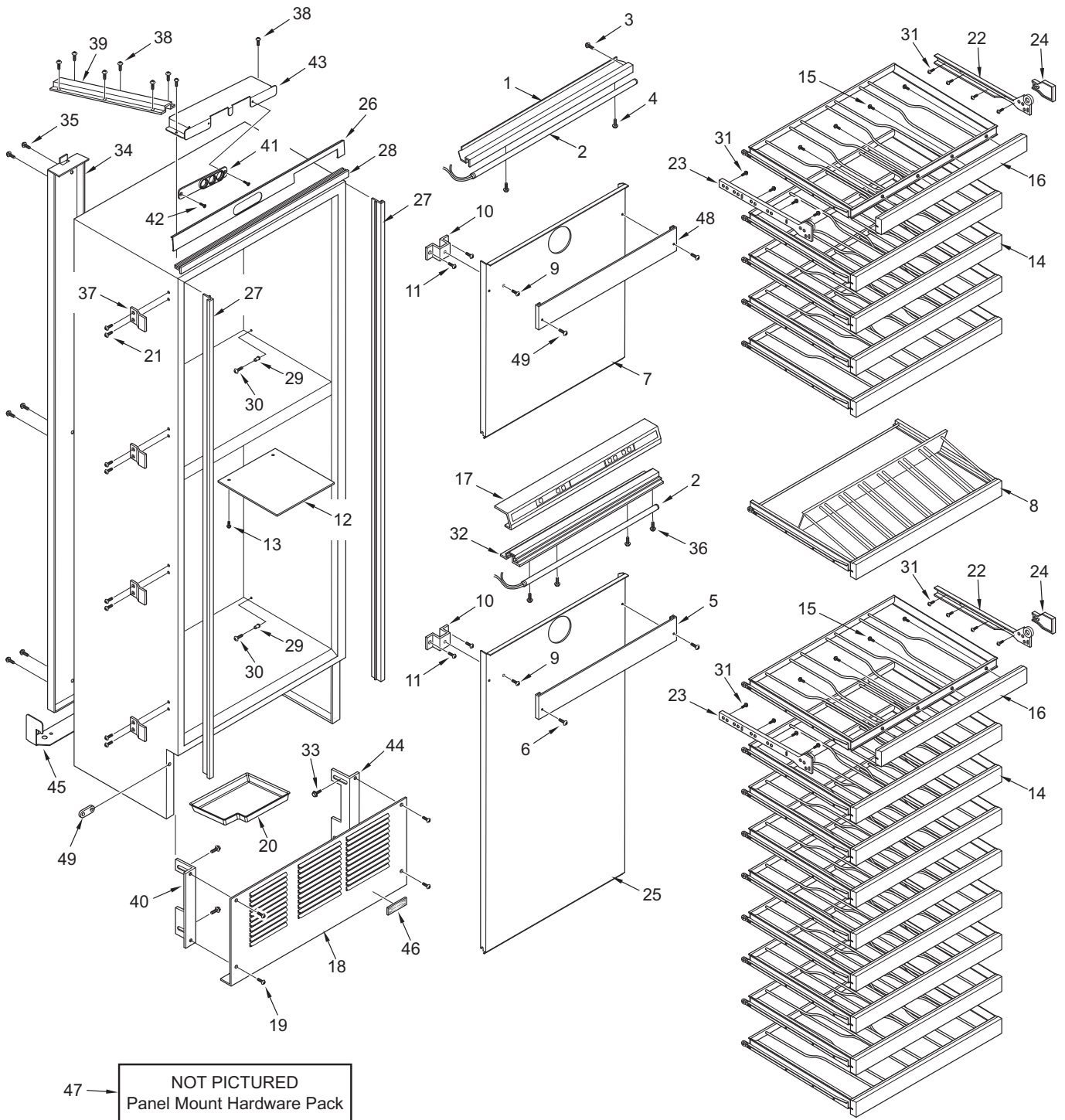


427-2 COSMETIC PARTS LIST

<u>Ref #</u>	<u>Part #</u>	<u>Description</u>	<u>Ref #</u>	<u>Part #</u>	<u>Description</u>
1.	3511680	Ext, Upr Light	26.	3516680	Top Molding RH, 427
2.	3030150	Strip, Light 15 Watt		3516690	Top Molding LH, 427
3.	6201270	Screw, #8-18 x 5/8" PH PN SS-Gnd	27.	3516010	Molding, Side
4.	6201310	Screw, #8 x 1-3/4" Flat PH HD	28.	4152070	Trim Assy, Top
5.	0212341	Cover, Evap Fan Svc	29.	3520120	Brass Insert
6.	6201010	Screw, #8-15 x 2" Pan Head	30.	6200130	Screw, #8-18 x 3/4" Truss HD
7.	4281171	Cold Plate Assy, RH Upr Svc	31.	6201230	Screw, #8 x 7/8" w/a #7 PH FT Head
	4281161	Cold Plate Assy, LH Upr Svc	32.	3511710	Housing, Lwr Light
8.	4181770	Rack Assy, Display Wine	33.	6200780	Screw, #10-24 x 1/2" PH Hex Wash
9.	6201270	Screw, #8-18 x 5/8" PH PN SS-Gnd	34.	0169161	Duct, Back Service
10.	0169391	Bracket, Grounding Svc	35.	6201240	Screw, #8X1-3/8" w/a #7 PH FT Hd
11.	6201270	Screw, #8-18 x 5/8" PH PN SS-Gnd	36.	6201270	Screw, #8-18 x 5/8" PH PN SS-Gnd
12.	4152220	Panel Assy, Svc Access	37.	3421510	Bracket, Ref to Cab
13.	6200720	Screw, #8-18 x 1/2 PH Truss HD	38.	6200010	Screw, #10-12 x 3/4" Pan HD
14.	4181730	Wine Rack Assy, Short	39.	7004393	Cover, Wire Raceway Svce
15.	6201420	Screw	40.	0169401	Bracket, Kickplate 427 Svc
16.	3516530	Molding, Wood Wine Rack	41.	3450980	Bracket, Switch Mount
17.	4203110	Ctrl Panel Assy, Service 427	42.	6200210	Screw, #8-32 x 1/2" Flat Head
18.	3560020	Grille, Kickplate RH	43.	0261711	Box, Switch RH Svc
	3560030	Grille, Kickplate LH		0261721	Box, Switch LH Svc
19.	6200050	Screw, #10-12 x 1/2" Pan HD	44.	0169401	Bracket, Kickplate 427 Svc
20.	0168880	Pan, Drain	45.	0167551	Bracket, Anti Tip 27" Unit Svc
21.	6200720	Screw, #8-18 x 1/2 PH Truss HD	46.	3580170	Nameplate
22.	3413551	Slide, Cabinet RH	47.	6201430	Hardware Pack, Panel Mount
23.	3413552	Slide, Cabinet LH	48.	0213421	Diffuser, Fan Evap 427 Svc
24.	3421830	Slide Spacer	49.	6202010	Screw, #6-32X1/2 PH PAN HD S
25.	4281181	Cold Plate Assy, RH Lwr Svc			
	4281191	Cold Plate Assy, LH Lwr Svc			



427-2 COSMETIC VIEW





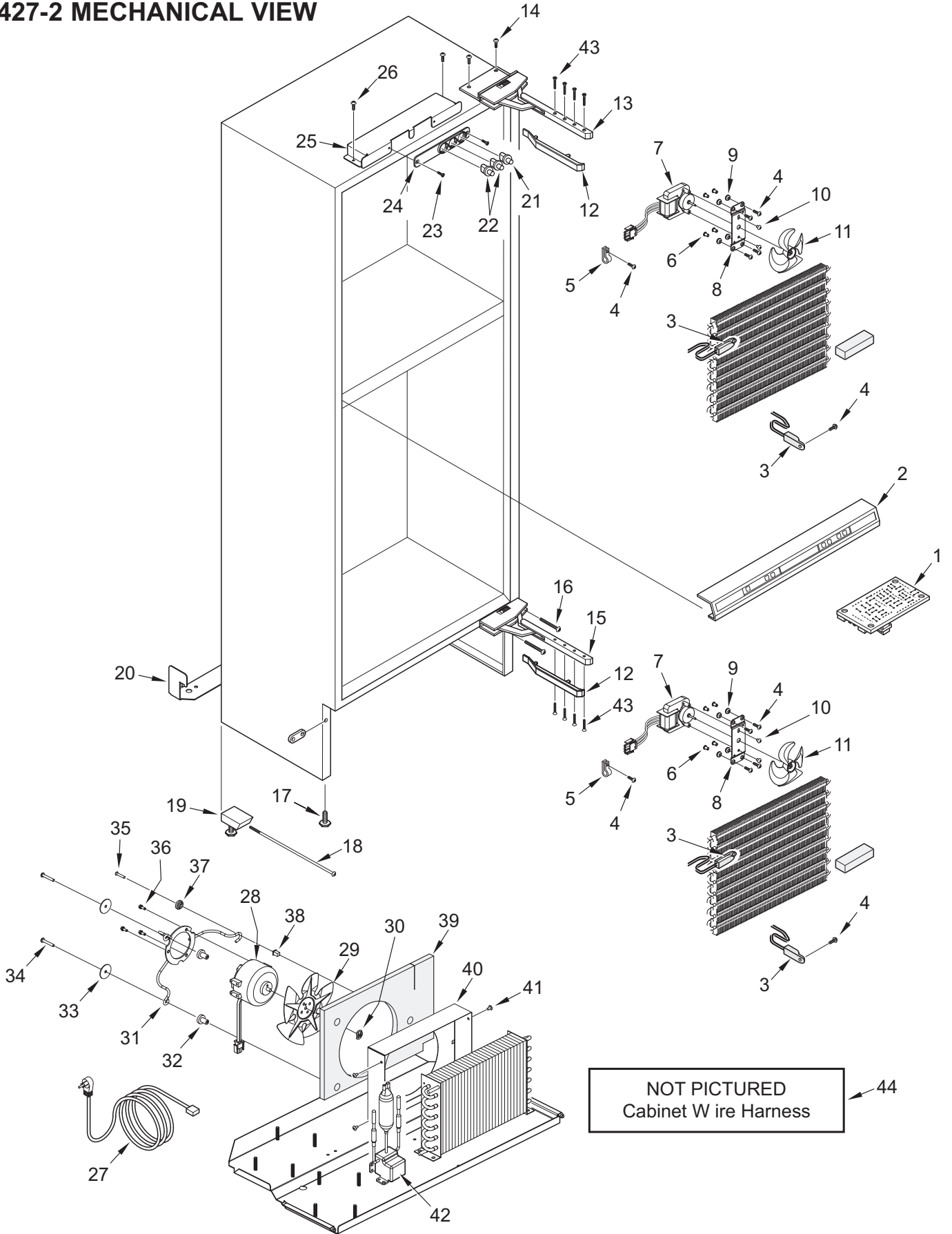
427-2 MECHANICAL PARTS LIST

Ref #	Part #	Description	Ref #	Part #	Description
1.	4204170	Cntrl Board, Service 400	22.	7004259	Switch, Fan White Svce (N.O.)
	7004024	Control, Board 400 Svce (RoHS Only)	23.	6200210	Screw, #8-32 x 1/2" Flat Head
2.	4203110	Ctrl Panel Assy, Service 427	24.	3450980	Bracket, Switch Mount
	7004195	Panel Assy, Cntrl 427 Svce (RoHS Only)	25.	0261711	Box, Switch RH Srvc
3.	4204150	Thermistor, Asm Srvc Pkg		0261721	Box, Switch LH Srvc
4.	6201270	Screw, #8-18 x 5/8" PH PN SS-Gnd	26.	6200010	Screw, #10-12 x 3/4" Pan HD
5.	6120030	Tube Clamp, Plastic 1/4"	27.	7002603	Cord, Power Svce
6.	3520120	Brass Insert, Fan Bracket	28.	4200740	Motor Pkg, Cond Fan (Blade & Bracket NOT included)
7.	4220801	Motor Assy, Evap Fan (Incl Brkt & Blade)	29.	3150660	Blade, Fan Cond
8.	0212330	Bracket, Evap Fan Motor	30.	6150410	Nut, 1/4-20
9.	3220250	Grommet, Rubber-#M5351	31.	3150670	Bracket, Cond Fan Wine
10.	6110270	Bolt, #10-32 x 1/4" RD HD	32.	6150330	Wellnut, #110-32 .75D X .804
11.	3150640	Fan , Evap Fan	33.	6240350	Washer, Fender .22 X 1.25 X .06
12.	3541050	Hinge Cover	34.	6201280	Screw, Machine #10-32 x 1-1/4" Lg
13.	3541031	Hinge Assy, Top RH (Bot on LH Units)	35.	6200490	Screw, #8-32 x 3/8" Hex Slit T25
	3541032	Hinge Assy, Top LH (Bot on RH Units)	36.	6201580	Screw, #8-36 X 1/2 Nylon Patch
14.	6200780	Screw, #10-24 x 1/2" PH Hex Washer	37.	3420670	Screw Spacer
15.	3541031	Hinge Assy, Top RH (Bot on LH Units)	38.	6220220	Screw Grommet, 1/32 x 3/8" SQ
	3541032	Hinge Assy, Top LH (Bot on RH Units)	39.	3310400	Insul, Cond Fan Shroud
16.	6201140	Screw, 1/4-20 x 1/2" Sems But HD	40.	0263041	Shroud, Cond Fan Srvc
17.	3570060	Bolt, Leve ler 3/8-16X2-1/8	41.	6200140	Screw, #8-15 x 3/8" Truss HD
18.	3421500	Adjusting Rod	42.	4290461	Valve Assy, Aweco Srvc
19.	4202000	Rear Leveler Assembly	43.	7004252	Screw, 10-24X7/8 FSHCS ZC
20.	0167551	Bracket, Anti Tip 27" Unit Srvc			
21.	7004257	Switch, Light White Svce (N.C.)			

NOT PICTURED:

44. 3026140 W/H, Cab 427

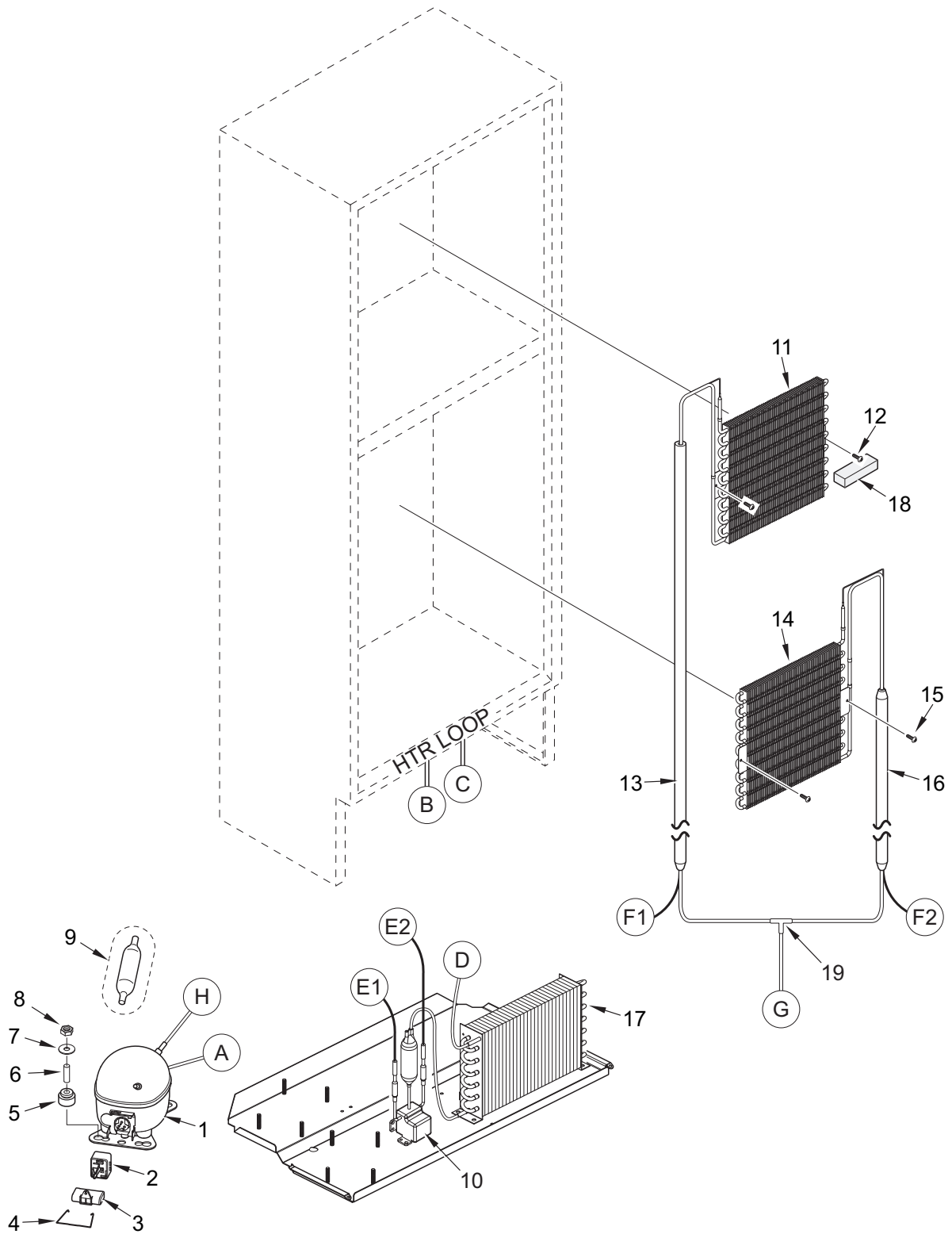
427-2 MECHANICAL VIEW



**427-2 SEALED SYSTEM PARTS LIST**

<u>Ref #</u>	<u>Part #</u>	<u>Description</u>
1.	4203230	Comp Pkg, Srvc Wine EMI30HER (Includes Valve Assembly)
	3111370	Relay, EMB 1351400 OR 213514008 (Used w/Service EMI30HER Comp)
	3111410	Overload, (4TM734LFB) (Used w/Service EMI30HER Comp)
2.	3112212	Electrical Assy, EMT30HSC Comp (Used w/Production EMT30HSC Comp)
3.	7005578	Capacitor, 12Mf Svce (Used w/Production EMT30HSC Comp)
4.	3112270	Term Cvr Spring, DC51C (Used w/Production EMT30HSC Comp)
5.	3150010	Rubber Grommet, Small, 5/8"
6.	6160030	Spacer, 5/16 x 7/16 x 5/8"
7.	6240050	Flat Washer, 5/16"
8.	6150220	Nut, 5/16-18 Hex Zinc
9.	3014100	Suction Line Drier (Service Only)
10.	4290461	Valve Assy, Aweco Srvc (Includes Drier)
11.	3130640	Evaporator, Ref
12.	6201270	Screw, #8-18 x 5/8" PH PN SS-Gnd
13.	4251810	Heat Exch, Ref
14.	3130640	Evaporator, Ref
15.	6201330	Screw, #8 PH-Pan Head 1"
16.	4251810	Heat Exch, Ref
17.	3120360	Condenser, 427w
18.	6231490	Tape, Foam XLPE
19.	3520500	Tube, Fitting Tee-5/16"ID

427-2 SEALED SYSTEM VIEW





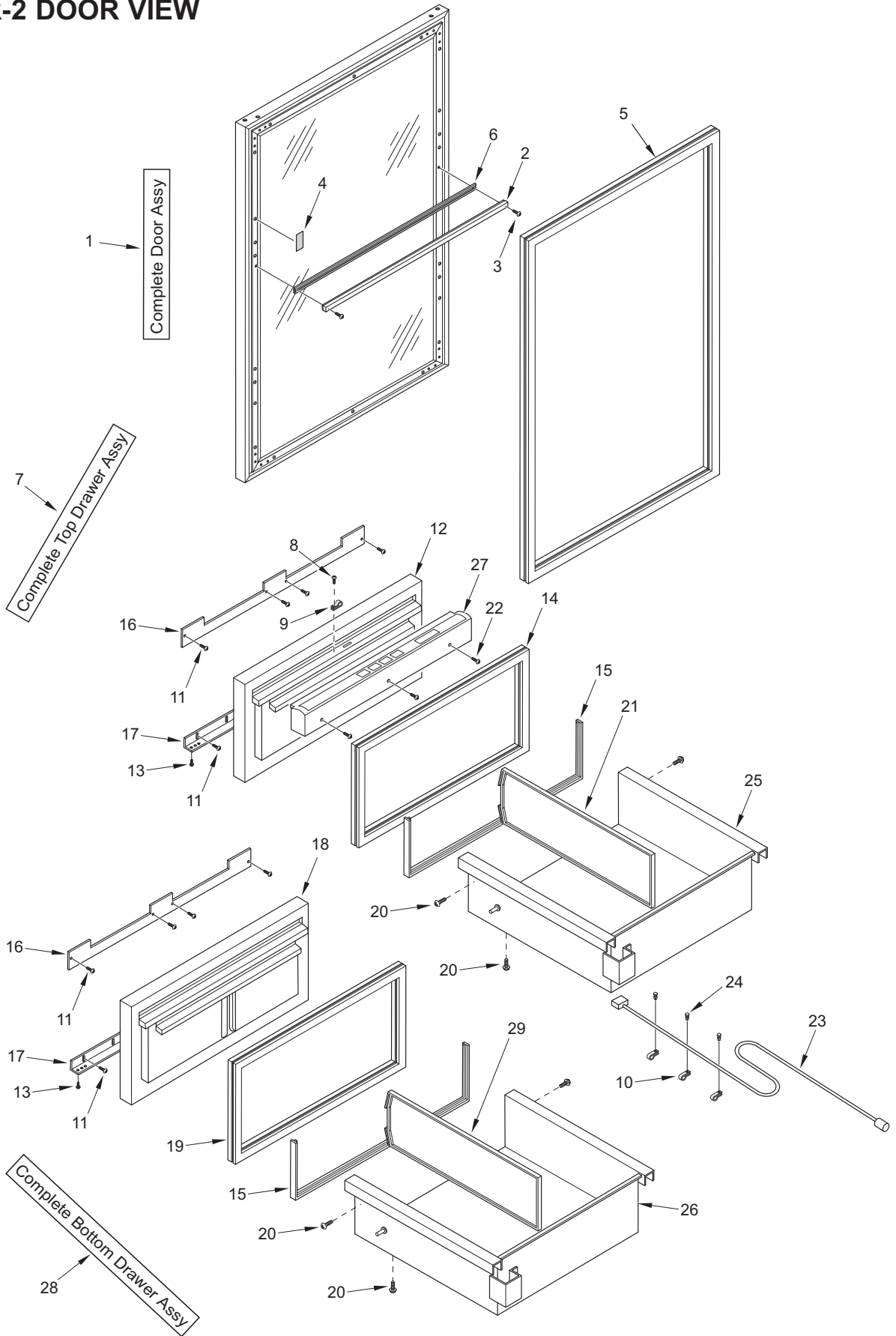
427R-2 DOOR PARTS LIST

<u>Ref #</u>	<u>Part #</u>	<u>Description</u>
1.	4132753	Door Assy, Glass RH 427R Srvc
	4132754	Door Assy, Glass LH 427R Srvc
	4134391	Door Assy, HAG 427RG RH
	4134392	Door Assy, HAG 427RG LH
	4136490	Door Assy, Solid RH 427R Srvc
	4136491	Door Assy, Solid LH 427R Srvc
NOTE: Door Assy's do NOT include hinges, handle or switch depressor.		
2.	3212030	Seal, Center
3.	6201360	Screw, #4 x 3/4" PH PAN HD TYPE A
4.	6230970	Tape, Black Poly
5.	3211970	Gasket, Door
6.	2813201	Holder, Compression Gasket 24.4
7.	4182051	Drawer Assy, Upper Bev Srvc
	7004268	Drawer Assy, Upper 427R2 Svce (RoHS Only)
8.	6110280	Bolt, #10-24 x 3/4", Round Head
9.	6120190	Tube Clamp, Steel, 3/16"
10.	6120280	Clamp, Tube Nylon 3/16"
11.	6200720	Screw, #8-18 x 1/2 PH Truss HD
12.	4131730	Drawer Assy, Upr BR/BF Frnt
13.	6201500	Screw, #10X3/4 Drill PH Hex Was
14.	3212220	Gasket, Door-Drawer UPR
15.	3211560	Seal, Tub White 37-5/8"
16.	3421930	Bracket, Door Panel Mtg Dwr Top
17.	3421940	Bracket, Door Panel Mtg Dwr Bot
18.	4131740	Drawer Assy, Lwr TR/BR-Frnt
19.	3212230	Gasket, Door -Drawer LWR
20.	6200110	Screw, #10-12 x 5/8" Truss SS
21.	3601340	Divider, Top Drawer
22.	6200700	Screw, #6-20 x 5/8" PH Flat HD SS
23.	3025480	Wiring Harness, Display Flexible
24.	6180340	Snap Rivet, Plastic White 13/64
25.	3414470	Tub, Upper Ref Drw Closer Front
26.	3414070	Tub, Lwr Drawer TR
27.	4163240	Cntrl Panel Assy, 427R2 Srvc
	7004219	Panel Assy, Control 427R2 Svce (RoHS Only)
28.	4134460	Drawer Assy, Bottom
29.	3601350	Divider, Bot Drawer

NOTE: Door panels on this model are a Sales Accessory. For part numbers of complete door panel sets or components of the door panel sets, contact the factory.



427R-2 DOOR VIEW



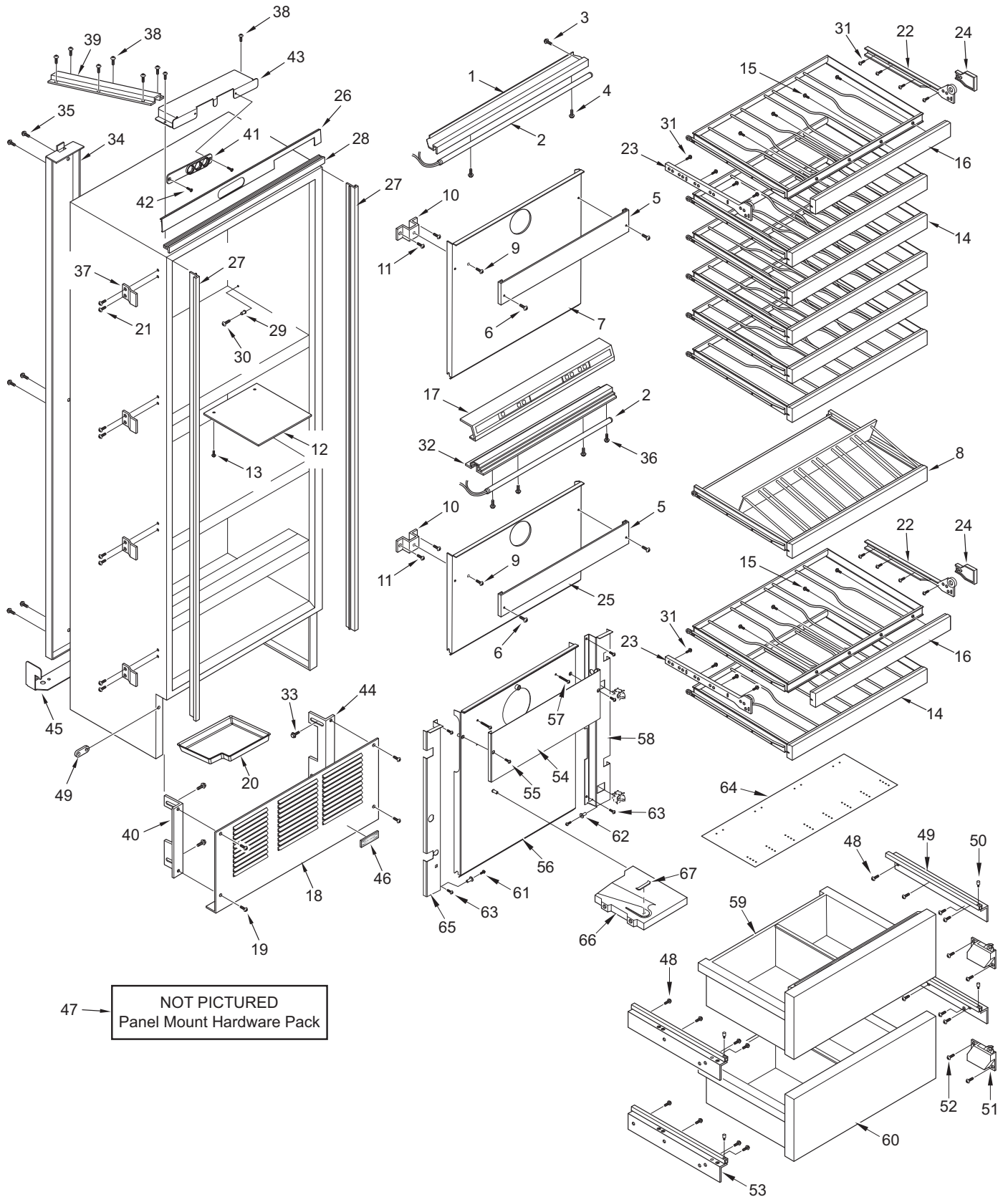


427R-2 COSMETIC PARTS LIST

<u>Ref #</u>	<u>Part #</u>	<u>Description</u>	<u>Ref #</u>	<u>Part #</u>	<u>Description</u>
1.	3511680	Ext, Upr Light	34.	0169161	Duct, Back Service
2.	3030150	Strip, Light 15 Watt	35.	6201240	Screw, #8X1-3/8" w/a #7 PH FT Hd
3.	6201270	Screw, #8-18 x 5/8" PH PN SS-Gnd	36.	6201270	Screw, #8-18 x 5/8" PH PN SS-Gnd
4.	6201310	Screw, #8 x 1-3/4" Flat PH HD	37.	3421510	Bracket, Ref to Cab
5.	0212341	Cover, Evap Fan Srvc	38.	6200010	Screw, #10-12 x 3/4" Pan HD
6.	6201010	Screw, #8-15 x 2" Pan Head	39.	7004393	Cover, Wire Raceway Svce
7.	4281211	Cold Plate Assy, RH Upr Srvc	40.	0167668	Kickplate Brkt, LH 427R2 Srvc
	4281201	Cold Plate Assy, LH Upr Srvc	41.	3450980	Bracket, Switch Mount
8.	4181770	Rack Assy, Display Wine	42.	6200210	Screw, #8-32 x 1/2" Flat Head
9.	6201270	Screw, #8-18 x 5/8" PH PN SS-Gnd	43.	0261711	Box, Switch RH Srvc
10.	0169391	Bracket, Grounding Srvc		0261721	Box, Switch LH Srvc
11.	6201270	Screw, #8-18 x 5/8" PH PN SS-Gnd	44.	0167667	Kickplate Brkt, RH 427R2 Srvc
12.	4152220	Panel Assy, Srvc Access	45.	0167551	Bracket, Anti Tip 27" Unit Srvc
13.	6200720	Screw, #8-18 x 1/2 PH Truss HD	46.	3580170	Nameplate
14.	4181730	Wine Rack Assy, Short	47.	6201430	Hardware Pack, Panel Mount
15.	6201420	Screw	48.	6200140	Screw, 1/4-20 x 1/2" Sems But HD
16.	3516530	Molding, Wood Wine Rack	49.	4134430	Drawer Assy, Slide-RH
17.	4203120	Ctrl Panel Assy, Service 427R	50.	3550720	Pin, White Thread
18.	3530430	Grille,Kickplate	51.	3541020	Closer, Drawer
19.	6200050	Screw, #10-12 x 1/2" Pan HD	52.	6200110	Screw, #10-12 x 5/8" Truss SS
20.	0168880	Pan, Drain	53.	4134440	Drawer Assy, Slide-LH
21.	6200720	Screw, #8-18 x 1/2 PH Truss HD	54.	0213461	Diffuser, Ref Evap Fan Srvc
22.	3413551	Slide, Cabinet RH	55.	6202010	Screw, #6-32X1/2 PH PAN HD S
23.	3413552	Slide, Cabinet LH	56.	4281721	Cold Plate Assy, Lwr Srvc 427R2
24.	3421830	Slide Spacer	57.	6201010	Screw, #8-15 x 2" Pan Head
25.	4281221	Cold Plate Assy, RH Mdl Srvc	58.	0213431	False Wall, Right Srvc
	4281231	Cold Plate Assy, LH Mdl Srvc	59.	NA	See Door View & Door Parts List
26.	3516680	Top Molding RH, 427	60.	NA	See Door View & Door Parts List
	3516690	Top Molding LH, 427	61.	6201330	Screw, #8 PH-Pan Head 1"
27.	3516010	Molding, Side	62.	3520420	Insert / Diffuser Stand-off
28.	4152070	Trim Assy, Top	63.	6201270	Screw, #8-18 x 5/8" PH PN SS-Gnd
29.	3520120	Brass Insert	64.	3754220	Door Panel Drilling Template
30.	6200130	Screw, #8-18 x 3/4" Truss HD	65.	0213441	False Wall, Left Srvc
31.	6201230	Screw, #8 x 7/8" w/a #7 PH FT Head	66.	0233490	Wire Tray
32.	3511710	Housing, Lwr Light	67.	3450780	Clip, Wire
33.	6200780	Screw, #10-24 x 1/2" PH Hex Wash		6150760	Wire Fastener



427R-2 COSMETIC VIEW





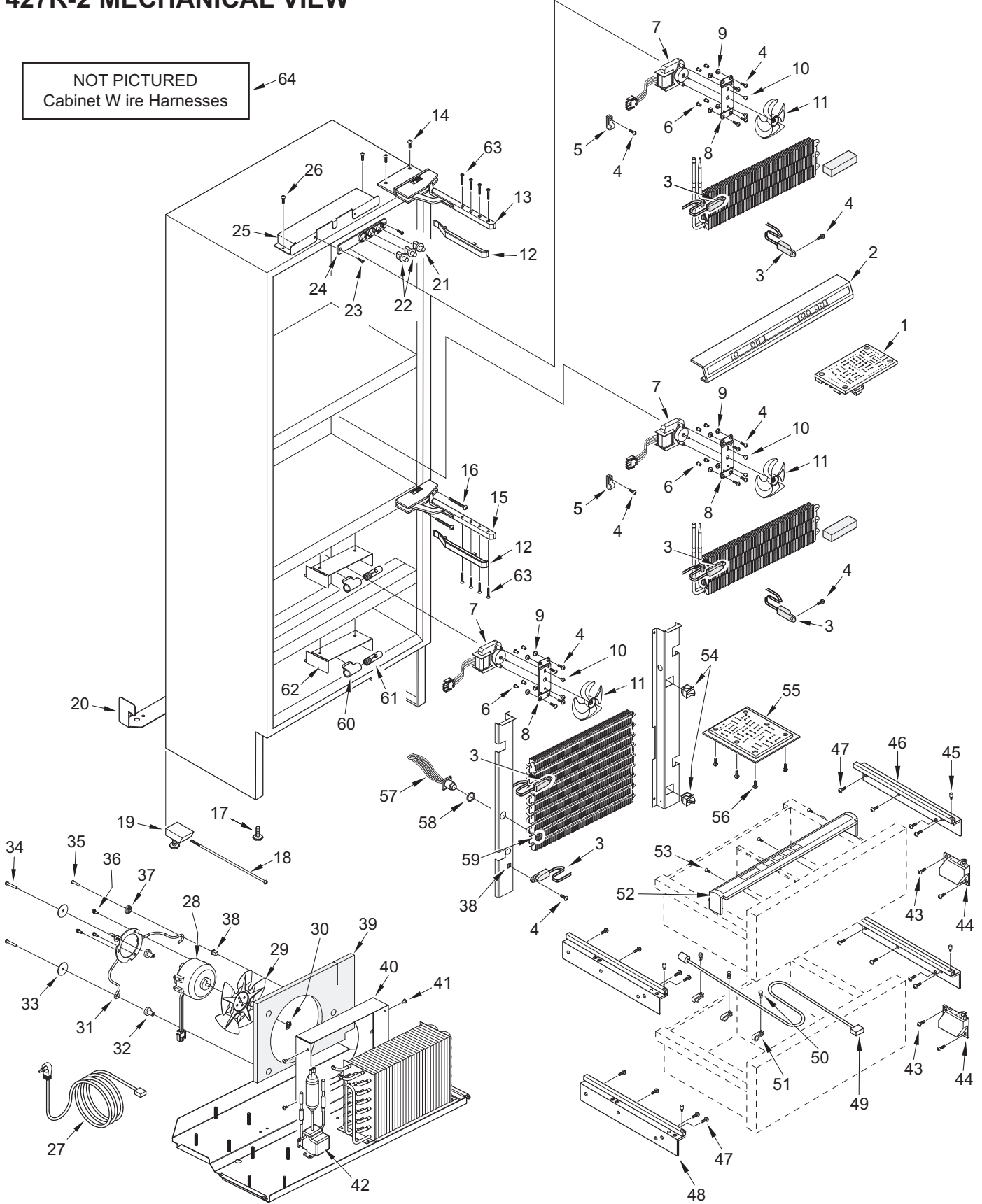
427R-2 MECHANICAL PARTS LIST

Ref #	Part #	Description	Ref #	Part #	Description
1.	4204170	Cntrl Board, Service 400	31.	3150670	Bracket, Cond Fan Wine
	7004024	Control, Board 400 Svce (RoHS Only)	32.	6150330	Wellnut, #110-32 .75D X .804
2.	4203120	Ctrl Panel Assy, Service 427R	33.	6240350	Washer, Fender .22 X 1.25 X .06
	7004200	Panel Assy, Cntrl 427R Svce(RoHS Only)	34.	6201280	Screw, Machine #10-32 x 1-1/4" Lg
3.	4204150	Thermistor, Asm Srvc Pkg	35.	6200490	Screw, #8-32 x 3/8" Hex Slit T25
4.	6201270	Screw, #8-18 x 5/8" PH PN SS-Gnd	36.	6201580	Screw, #8-36 X 1/2 Nylon Patch
5.	6120030	Tube Clamp, Plastic 1/4"	37.	3420670	Screw Spacer
6.	3520120	Brass Insert, Fan Bracket	38.	6220220	Screw Grommet, 1/32 x 3/8" SQ
7.	4220801	Motor Assy, Evap Fan (Incl Brkt & Blade)	39.	3310400	Insul, Cond Fan Shroud
8.	0212330	Bracket, Evap Fan Motor	40.	0263041	Shroud, Cond Fan Srvc
9.	3220250	Grommet, Rubber-#M5351	41.	6200140	Screw, #8-15 x 3/8" Truss HD
10.	6110270	Bolt, #10-32 x 1/4" RD HD	42.	4290461	Valve Assy, Aweco Srvc
11.	7008016	Fan blade, Evap Svce	43.	6200030	Screw, #10-12 x 5/8", Truss CP
12.	3541050	Hinge Cover	44.	3541020	Closer, Drawer-RH
13.	3541031	Hinge Assy, Top RH	45.	3550720	Pin, White Thread
	3541032	Hinge Assy, Top LH	46.	4134430	Drawer Assy, Slide-RH
14.	6200780	Screw, #10-24 x 1/2" PH Hex Washer	47.	6202030	Screw, 1/4-20X1/2 But HD, Patchlk
15.	3541041	Hinge Assy, MDL RH	48.	4134440	Drawer Assy, Slide-LH
	3541042	Hinge Assy, MDL LH	49.	3025480	Wire Harness, Display Flexible
16.	6201140	Screw, 1/4-20 x 1/2" Sems But HD	50.	6180340	Snap Rivet, Plastic White 13/64
17.	3570060	Bolt, Leve ler 3/8-16X2-1/8	51.	6120280	Clamp, Tube Nylon 3/16"
18.	3421500	Adjusting Rod	52.	4163240	Cntrl Panel Assy, 427R2 Srvc
19.	4202000	Rear Leveler Assembly		7004219	Pnl Assy, Cntrl 427R2 Svce (RoHS Only)
20.	0167551	Bracket, Anti Tip 27" Unit Srvc	53.	6200700	Screw, #6-20 x 5/8" PH Flat HD SS
21.	7004257	Switch, Light White Svce (N.C.)	54.	3060140	Switch, Light
22.	7004259	Switch, Fan White Svce (N.O.)	55.	7002877	Ctrl Assy, 427R2 Ref Svce
23.	6200210	Screw, #8-32 x 1/2" Flat Head		7004208	Control, Board 427R2 Svce (RoHS Only)
24.	3450980	Bracket, Switch Mount	56.	6201130	Screw, #8x 1/2" PH FL HD SS
25.	0261711	Box, Switch RH Srvc	57.	4204020	Wire Harness, Display Replacement
	0261721	Box, Switch LH Srvc	58.	6160370	Gasket, Rubber 13/16 MP3
26.	6200010	Screw, #10-12 x 3/4" Pan HD	59.	6151010	Nut, Plastic 13/16-28 UNS
27.	7002603	Cord, Power Svce	60.	3050220	Socket, Light Int Base Sngl
28.	4200740	Motor Pkg, Cond Fan (Blade & Bracket NOT included)	61.	3030060	Bulb, Light 25W 1X2-1/2
29.	3150660	Blade, Fan Cond	62.	0212932	Bracket, Light Srvc-Base
30.	6150410	Nut, 1/4-20	63.	7004252	Screw, 10-24X7/8 FSHCS ZC

NOT PICTURED:

64.	7004068	W/H, Cab 427R (Ref Section)
	3026390	W/H, Cab 427R Wine (Wine Section)

427R-2 MECHANICAL VIEW

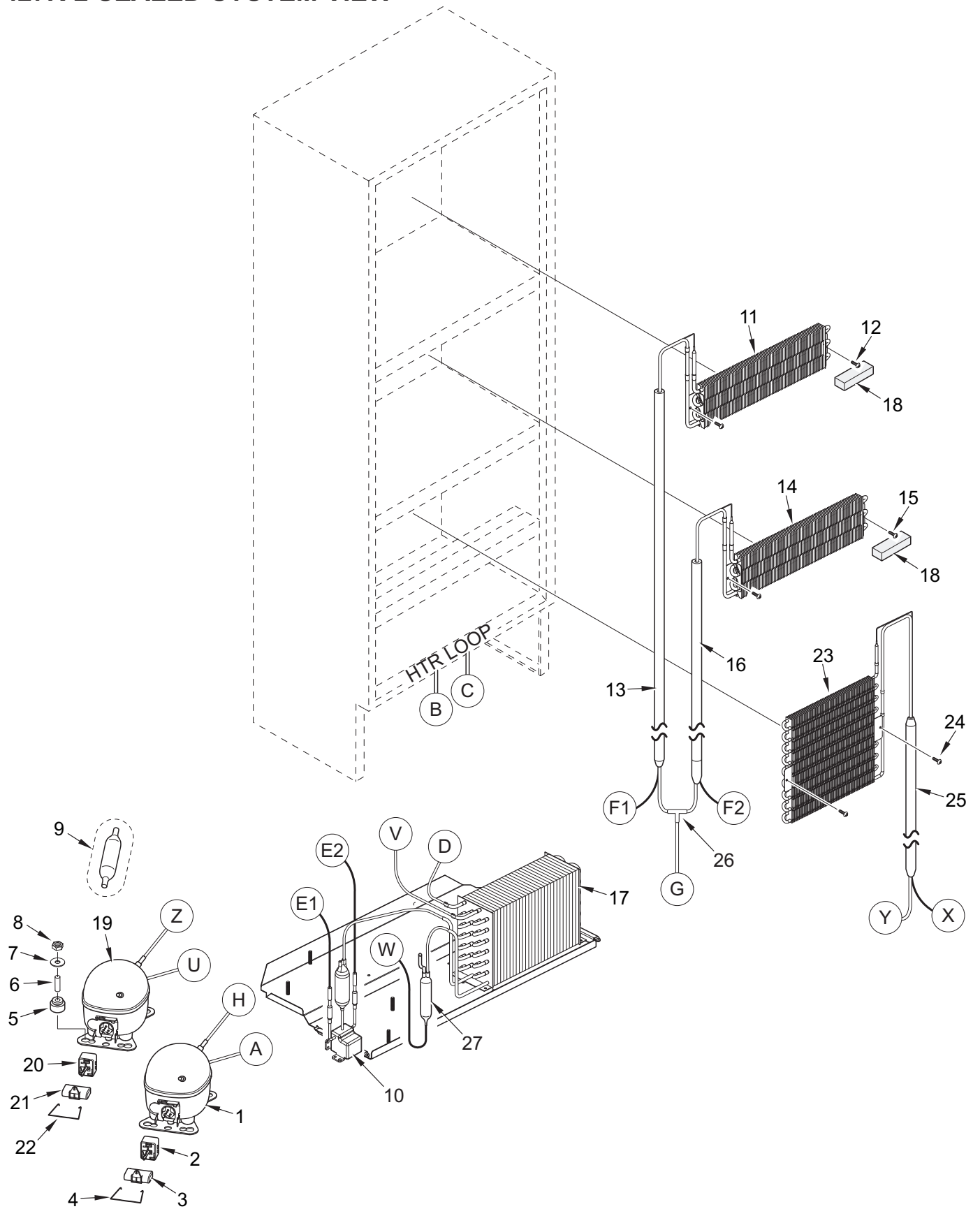




427R-2 SEALED SYSTEM PARTS LIST

<u>Ref #</u>	<u>Part #</u>	<u>Description</u>
1.	4203230	Comp Pkg, Srvc Wine EMI30HER (Includes Valve Assembly)
2.	3112212	Electrical Assy, EMT30HSC Comp (Used w/Production EMT30HSC Comp)
	3111370	Relay, EMB 1351400 OR 213514008 (Used w/Service EMI30HER Comp)
	3111410	Overload, (4TM734LFB) (Used w/Service EMI30HER Comp)
3.	7005578	Capacitor, 12Mf Svce (Used w/Production EMT30HSC Comp)
4.	3112270	Term Cvr Spring, DC51C (Used w/Production EMT30HSC Comp)
5.	3150010	Rubber Grommet, Small, 5/8"
6.	6160030	Spacer, 5/16 x 7/16 x 5/8"
7.	6240050	Flat Washer, 5/16"
8.	6150220	Nut, 5/16-18 Hex Zinc
9.	3014100	Suction Line Drier (Service Only)
10.	4290461	Valve Assy, Aweco Srvc (Includes Drier)
11.	3130860	Evaporator, Ref
12.	6201270	Screw, #8-18 x 5/8" PH PN SS-Gnd
13.	4251460	Heat Exchanger
14.	3130860	Evaporator, Ref
15.	6201270	Screw, #8-18 x 5/8" PH PN SS-Gnd
16.	4251470	Heat Exchanger
17.	3120350	Condenser, 427R
18.	6231490	Tape, Foam XLPE
19.	4201880	Compressor, Ref.- EMI30HER (Includes High-side Filter-drier)
20.	3112212	Electrical Assy, EMT30HSC Comp (Used w/Production EMT30HSC Comp)
	3111370	Relay, EMB 1351400 OR 213514008 (Used w/Service EMI30HER Comp)
	3111410	Overload, (4TM734LFB) (Used w/Service EMI30HER Comp)
21.	7005578	Capacitor, 12Mf Svce (Used w/Production EMT30HSC Comp)
22.	3112270	Term Cvr Spring, DC51C (Used w/Production EMT30HSC Comp)
23.	3130640	Evaporator, Ref
24.	6201330	Screw, #8 PH-Pan Head 1"
25.	4251830	Heat Exchanger, Ref
26.	3520500	Tube, Fitting Tee-5/16"ID
27.	3014230	Filter-Drier, High Side

427R-2 SEALED SYSTEM VIEW

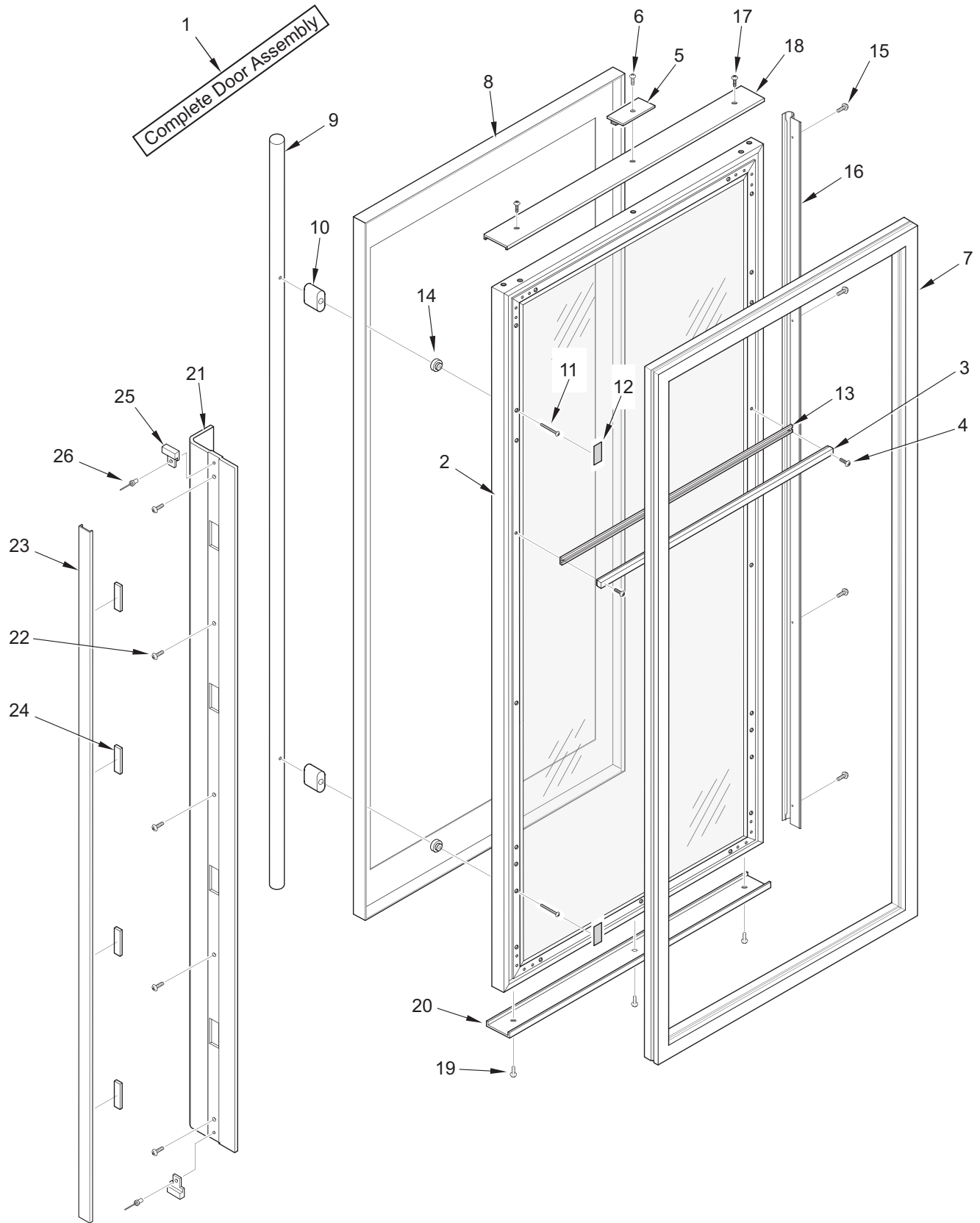




430-2 DOOR PARTS LIST

Ref #	Part #	Description	Ref #	Part #	Description
1.	4134240	Door Assy, Srvc-430G/F&O-RH	9.	3511970	Handle, Door SS 1 X 63.875
	4134250	Door Assy, Srvc-430G/F&O-LH		3511971	Handle, Door 1X63.88, B
	4134401	Door Assy, HAG 430G/F&O RH		3511972	Handle, Door 1X63.88, P
	4134402	Door Assy, HAG 430G/F&O-LH	10.	3512200	Standoff, SS Oval
	4134260	Door Assy, SRVC - 430G/S-RH		3512201	Standoff, Oval, B
	4134270	Door Assy, SRVC - 430G/S-LH		3512202	Standoff, Oval, P
	4134403	Door Assy, HAG 430/S RH	11.	6110650	Screw, Machine #10-24-2 TRHDSS
	4134404	Door Assy, HAG 430/S LH	12.	6230970	Tape, Black Poly
	4133785	Door Assy, Srvc-430G/B-RH	13.	2813301	Holder, Compression Gasket 26.5
	4133786	Door Assy, Srvc-430G/B-LH	14.	6160250	Spacer, Door Handle
	4133787	Door Assy, Srvc-430HAG/B-RH	15.	6200720	Screw, #8-18 x 1/2 PH Truss HD
	4133788	Door Assy, Srvc-430HAG/B-LH		6200721	Screw, #8-18X1/2 Ph Low Prfl, B
	4134915	Door Assy, Srvc-430G/P-RH	16.	3511130	Trim, Door Hinge Side SS (Sq Crnr)
	4134916	Door Assy, Srvc-430G/P-LH		3511131	Door Trim, Hinge Side (Mitered)
	4134917	Door Assy, Srvc-430HAG/P-RH		3512241	Trim, Door Hinge Side - Carbon
	4134918	Door Assy, Srvc-430HAG/P-LH		3512242	Trim, Door Hinge Side - Platinum
	4134280	Door Assy, Srvc-430S/F&O-RH	17.	6200720	Screw, #8-18 x 1/2 PH Truss HD
	4134290	Door Assy, Srvc-430S/F&O-LH		6200721	Screw, #8-18X1/2 Ph Low Prfl, B
	4134300	Door Assy, Srvc 430 S/S RH	18.	2230619	Trim, Door Top Ref - RH
	4134310	Door Assy, Srvc 430 S/S-LH		2230622	Trim, Door Top Ref - LH
	4133793	Door Assy, Srvc-430S/B-RH	19.	6200720	Screw, #8-18 x 1/2 PH Truss HD
	4133794	Door Assy, Srvc-430S/B-LH		6200721	Screw, #8-18X1/2 Ph Low Prfl, B
	4134923	Door Assy, Srvc-430S/P-RH	20.	2230620	Trim, Door Bot Ref - RH
	4134924	Door Assy, Srvc-430S/P-LH		2230621	Trim, Door Bot Ref - LH
NOTE: Door Assys do NOT include hinges, handle or switch depressor.			21.	4132271	Hndl Assy, Ext Door 67.88 Srvc
2.	NA	Must Order Complete Door Assembly		4132321	Trim Assy, Hndl Side 67.88 Srvc
3.	3212040	Seal, Center	22.	6201300	Tapping Screw, #8 x 1/2"
4.	6201360	Screw, #4 x 3/4" PH Pan HD Type A	23.	4131860	Handle/Trim Molding Assembly
5.	3421380	Depressor, Switch (All but carBon Units)	24.	3451140	Magnet, Trim Strip
	3421381	Depressor, Switch, B (430G/B, 430S/B)	25.	3413340	End Cap, Handle
6.	6200720	Screw, #8-18 x 1/2 PH Truss HD	26.	6180160	Rivet, Open End Blind 1/8" X 3/16"
	6200721	Screw, #8-18X1/2 Ph Low Prfl, B(carBon)			
7.	3211980	Gasket, Door			
8.	4203170	Pckg, SS Door Panel Gls-430 RH			
	4203180	Pckg, SS Door Panel Gls-430 LH			
	4133881	Door Skin Assy, Srvc-430G/B-RH			
	4133882	Door Skin Assy, Srvc-430G/B-LH			
	4135011	Door Skin Assy, Srvc-430G/P-RH			
	4135012	Door Skin Assy, Srvc-430G/P-LH			
	4203210	Pckg, SS Door Pnl Solid 430-RH			
	4203220	Pckg, SS Door Pnl Solid 430-LH			
	0185475	Skin, Door 430S/B-RH Srvc			
	0185476	Skin, Door 430S/B-LH Srvc			
	0185477	Skin, Door 430S/P-RH Srvc			
	0185478	Skin, Door 430S/P-LH Srvc			

430-2 DOOR VIEW



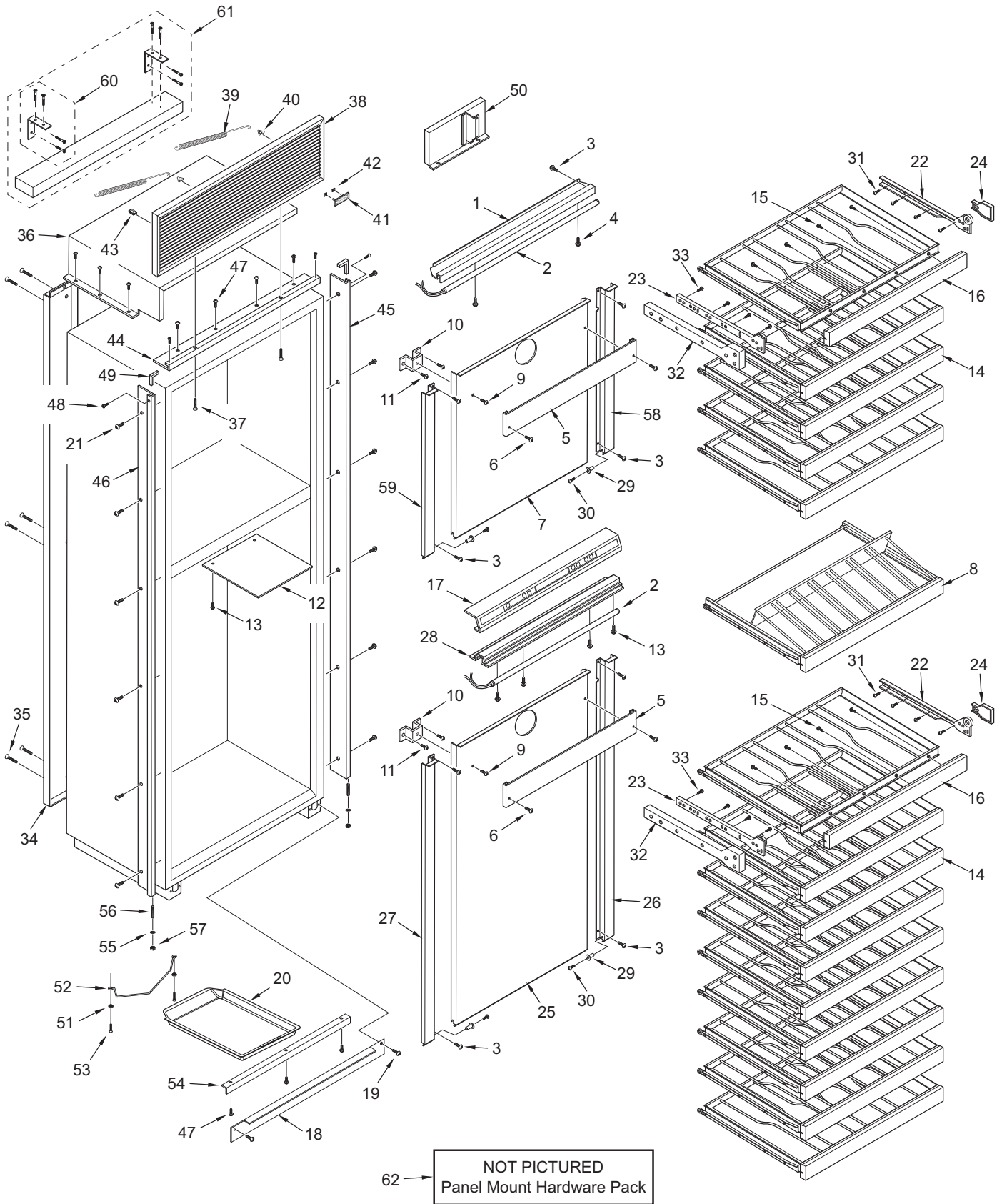


430-2 COSMETIC PARTS LIST

Ref #	Part #	Description	Ref #	Part #	Description
1.	3511690	Ext, Upr Light	39.	3450900	Spring, Grille
2.	3030150	Strip, Light 15 Watt	40.	3450520	Grille Hook
3.	6201270	Screw, #8-18 x 5/8" PH PN SS-Gnd	41.	3580230	Name Plate, Approx 1-1/4X3" w/Pegs
4.	6201310	Screw, #8 x 1-3/4" Flat PH HD		3580210	Name Plate, Appr. 1-1/4"X3" Stick-on
5.	0212361	Diffuser, Evap Fan Srvc		3580211	Nameplate, B,P
6.	6201010	Screw, #8-15 x 2" Pan Head	42.	6150140	Spring Grip Nut, 1/8"
7.	0200961	Cover, Evap Upr Srvc	43.	6150840	Tinnerman J-Clip
8.	4181780	Rack Assy, Display Wine	44.	2234028	Frame,Main Top 30 RH
9.	6201270	Screw, #8-18 x 5/8" PH PN SS-Gnd		3517051	Frame,Main Top 30-RH, B
10.	0169391	Bracket, Grounding Srvc		3517054	Frame,Main Top 30-RH, P
11.	6201270	Screw, #8-18 x 5/8" PH PN SS-Gnd		2234029	Frame,Main Top 30 LH
12.	4152220	Panel Assy, Srvc Access		3517052	Frame,Main Top 30-LH, B
13.	6200720	Screw, #8-18 x 1/2 PH Truss HD		3517055	Frame,Main Top 30-LH, P
14.	4181750	Wine Rack Assy	45.	4120860	Frame Assy, RH
15.	6201420	Screw		4120861	Frame Assy, Main Right Side, B
16.	3516540	Molding, Wood Wine Rack		4120862	Frame Assy, Main Right Side, P
17.	4203130	Ctrl Panel Assy, Service 430		2234006	Frame, Main Side Right-LH Hinge
18.	0168570	Kickplate, Solid 30" S.S.		3517006	Frame, Main Side Right-LH, B
	0260710	Kickplate, Solid - Black		3517031	Frame, Main Side Right-LH, P
	0168571	Kickplate, Solid-30", B - Carbon	46.	2234004	Frame, Main Side Left-RH Hinge
	0168572	Kickplate, Solid-30", P - Platinum		3517004	Frame, Main Side Left-RH, B
19.	6200050	Screw, #10-12 x 1/2" Pan HD		3517029	Frame, Main Side Left-RH, P
	6200120	Screw, #10-12 x 1/2" Truss HD (SS)		4120870	Frame Assy, LH
20.	0164940	Pan, Drain		4120871	Frame Assy, Main Left Side, B
21.	6201550	Screw, #8-18 X 1/2 Low Profile		4120872	Frame Assy, Main Left Side, P
22.	3413551	Slide, Cabninet RH	47.	6200010	Screw, #10-12 x 3/4" Pan HD
23.	3413552	Slide, Cabninet LH	48.	6200070	Screw, #4-24X3/8" Flat HD
24.	3421830	Spacer, Slide (Handle Side)		6200071	Screw, #4-24X3/8 Flat Hd, B
25.	0200971	Cover, Evap Lwr Srvc	49.	2210701	Angle, Main Fr 1-1/2X1/4
26.	0201011	Evap Sprt, RH Lwr Srvc	50.	4281100	Shroud Assy, Compressor
27.	0201001	Evap Sprt, LH Lwr Srvc	51.	3420670	Spacer, Screw
28.	3511720	Housing, Lower Light	52.	3420760	Holder, Drain Pan
29.	3520120	Brass Insert	53.	6201060	Screw, #8x1-1/4" PH FLAT TAP
30.	6200130	Screw, #8-18 x 3/4" Truss HD	54.	0261000	Kickplate Support
31.	6201230	Screw, #8 x 7/8" w/a #7 PH FT Head	55.	6240070	Lock Washer, 1/4" SS
32.	3421820	Spacer, Slide Sprt (Hinge Side)		6240071	Washer, Lock 1/4", B
33.	6201240	Screw, #8 x 1-3/8" w/a #7 PH FT Hd	56.	3550190	Bottom Hinge Stud
34.	0168951	Duct, Back Srvc	57.	6150200	Nut, 1/4-20 Hex
35.	6201060	Screw, #8x1-1/4" PH FLAT TAP		6150201	Nut, 1/4-2 0 Hex, B
36.	4281250	Shroud Assy, Unit	58.	0200991	Evap Sprt, RH Upr Srvc
37.	6201310	Screw, #8 x 1-3/4" Flat PH HD	59.	0200981	Evap Sprt, LH Upr Srvc
	6201311	Screw, #8X1-3/4 Flt Ph Hd, B	60.	4201340	Blocking Hardware Package
38.	6LG3011	Louvered Grille Assembly, 30" x 11"	61.	4201310	Blocking Components; 30"
	6PG3011	Panel Grille Assembly, 30" x 11"	62.	6201430	Hardware Pack, Panel Mount
	6SG3011	SS Grille 30" x 11" (See SN Breaks)			
	6SG3011/S	SS Grille,30X11-CLSC(See SN Breaks)			
	6SG3011/B	SS Grille 30X11-Carbon			
	6SG3011/P	SS Grille 30X11-Platinum			



430-2 COSMETIC VIEW





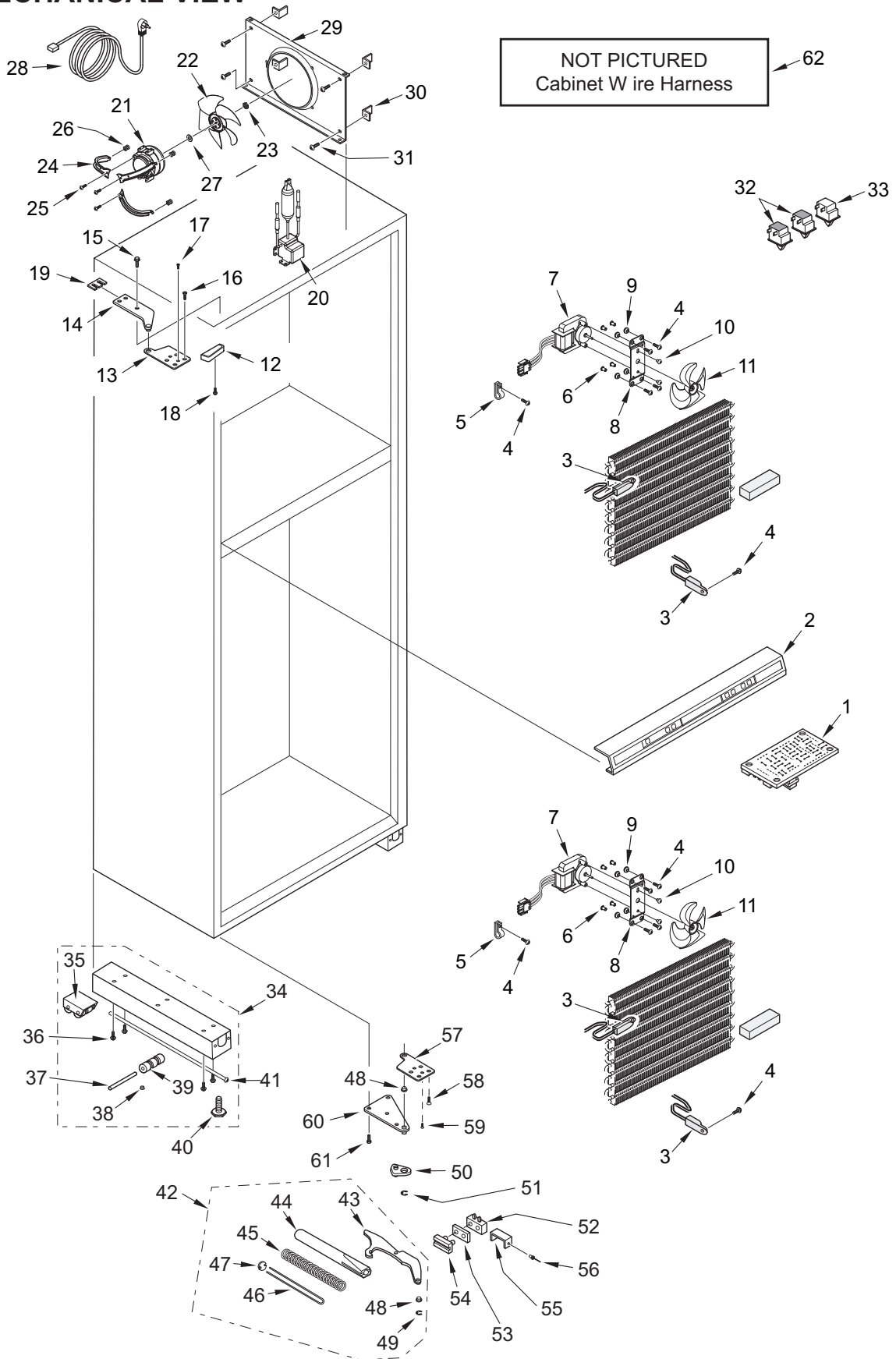
430-2 MECHANICAL PARTS LIST

Ref #	Part #	Description	Ref #	Part #	Description
1.	4204170	Cntrl Board, Service 400	33.	3060140	Switch, Light
	7004024	Control, Board 400 Svce (RoHS Only)		3060141	Switch, Rocker N.C. Black
2.	4203130	Ctrl Panel Assy, Service 430	34.	4110353	Base Assy (w/rollers)
	7004211	Panel Assy, Cntrl 430 Svce (RoHS Only)	35.	4110331	Base Rear Roller Assy
3.	4204150	Thermistor, Asm Srvc Pkg	36.	6200010	Screw, #10-12 x 3/4" Pan HD
4.	6201270	-+Screw, #8-18 x 5/8" PH PN SS-Gnd	37.	3550560	Straight Pin, Base Assy, .312" x 2.88"
5.	6120030	Tube Clamp, Plastic 1/4"	38.	3450620	Canoe Clip
6.	3520120	Brass Insert, Fan Bracket	39.	3421240	Cabinet Roller (Single)
7.	4220801	Motor Assy, Evap Fan (Incl Brkt & Blade)	40.	3570050	Leveling Leg, #18-3/8 x 1"
8.	0212330	Bracket, Evap Fan Motor	41.	6110580	Adjusting Screw
9.	3220250	Grommet, Rubber-#M5351	42.	4201111	Door Closer Assy, RH (430/F/O/S/P)
10.	6110270	Bolt, #10-32 x 1/4" RD HD		4201115	Door Closer Assy, SBS RH-B (430/B)
11.	3150640	Fan , Evap Fan		4201112	Door Closer Assy, LH (430/F/O/S/P)
12.	3541017	Top Cabinet Hinge Cover, RH (Silver)		4201116	Door Closer Assy, SBS LH-B (430/B)
	3541211	Cover, Top Cabinet Hinge-RH, B	43.	NA	See 4201111, 1112, 1115 or 1116
	3541213	Cover, Top Cabinet Hinge-RH, P	44.	NA	See 4201111, 1112, 1115 or 1116
	3541018	Top Cabinet Hinge Cover, LH (Silver)	45.	3450530	Door Closer Spring
	3541212	Cover, Top Cabinet Hinge-LH, B		3450710	Low Pull Spring
	3541214	Cover, Top Cabinet Hinge-LH, P	46.	3421290	Door Closer Linkage
13.	4151471	Door Hinge Assy, Top; RH (Silver)	47.	0165980	Door Closer Spring Retainer
	4151473	Hinge Assy, Top Cab-RH, B	48.	3421260	Door Closer Bearing
	4151472	Door Hinge Assy, Top; LH (Silver)		3421261	Bearing, Door Closer, B
	4151474	Hinge Assy, Top Cab-LH, B	49.	3450550	E-Ring / Klipping , 5/16"
14.	4151271	Cabinet Hinge Assy, Upper; RH (Slvr)	50.	DS90	Door Stop-90 Degree (Sales Acc.)
	4151273	Hinge Assy, Upr Cab-RH, B		DS90/B	Stop,Door Kit 90 Degree, B (Sales Acc.)
	4151272	Cabinet Hinge Assy, Upper; LH (Slvr)		DS105	Door Stop-105 Degree (Sales Acc.)
	4151274	Hinge Assy, Upr Cab-LH, B		DS105/B	Stop,Door Kit 105 Degree, B (Sales Acc.)
15.	6110070	Bolt, 1/4-20 x 3/4" Spinlock Zinc	51.	3450560	E - Ring, 7/16"
16.	6110540	Bolt, #10-24 x 1/2" Flat Socket HD	52.	3450570	Door Closer Cushion
17.	6200390	Screw, #6 x 3/8" T25 Flat Head PH	53.	0165970	Door Closer Guide Support
18.	6200140	Screw, #8-15 x 3/8" Truss HD	54.	3421310	Door Closer Guide
19.	0164510	Shim, Cabinet Top or Bot Hinge	55.	0166360	Door Stop Cushion Retainer
20.	4290461	Valve Assy, Aweco Srvc	56.	6180010	Pop Rivet, 1/8"
21.	4200740	Cond Fan Mtr Pkg (Blade NOT Incl.)	57.	4151241	Door Hinge, Bot; RH (Silver)
22.	3150800	Blade, Condenser Forward-SW		4151243	Hinge Assy, Bot Door-RH, B
23.	6150410	Nut, 1/4-20		4151242	Door Hinge, Bot; LH (Silver)
24.	0261150	Bracket, Cond Mtg (3)		4151244	Hinge Assy, Bot Door-LH, B
25.	6201580	Screw,#8-36 X 1/2 Nylon Patch	58.	6110540	Bolt, #10-24 x 1/2" Flat Socket HD
26.	3220360	Grommet, Mounting Bracket	59.	6200390	Screw, #6 x 3/8" T25 Flat Head PH
27.	3210340	Neoprene Silencer, 7/8"	60.	4151281	Cabinet Hinge Assy, Lower; RH (Slvr)
28.	3025560	Cord Assy, Power Supply		4151283	Hinge Assy, Lwr Cab-RH, B
29.	0261310	Shroud, Cond Fan		4151282	Cabinet Hinge Assy, Lower; LH (Slvr)
30.	3450290	Angle Bracket		4151284	Hinge Assy, Lwr Cab-LH, B
31.	6200010	Screw, #10-12 x 3/4" Pan HD	61.	6110070	Bolt, 1/4-20 x 3/4" Spinlock Zinc
32.	3060130	Switch, Icemaker Fan			
	3060131	Switch, Rocker N.O. Black			

NOT PICTURED:

62. 3026130 W/H, Cab 430

430-2 MECHANICAL VIEW





430-2 SEALED SYSTEM PARTS LIST

<u>Ref #</u>	<u>Part #</u>	<u>Description</u>
1.	4203230	Comp Pkg, Srvc Wine EMI30HER (Includes Valve Assembly)
	3111370	Relay, EMB 1351400 OR 213514008 (Used w/Service EMI30HER Comp)
	3111410	Overload, (4TM734LFB) (Used w/Service EMI30HER Comp)
2.	3112212	Electrical Assy, EMT30HSC Comp (Used w/Production EMT30HSC Comp)
3.	7005578	Capacitor, 12Mf Svce (Used w/Production EMT30HSC Comp)
4.	3112270	Term Cvr Spring, DC51C (Used w/Production EMT30HSC Comp)
5.	3150010	Rubber Grommet, Small, 5/8"
6.	6160030	Spacer, 5/16 x 7/16 x 5/8"
7.	6240050	Flat Washer, 5/16"
8.	6150220	Nut, 5/16-18 Hex Zinc
9.	3014100	Suction Line Drier (Service Only)
10.	4290461	Valve Assy, Aweco Srvc (Includes Drier)
11.	3130640	Evaporator, Ref
12.	6201270	Screw, #8-18 x 5/8" PH PN SS-Gnd
13.	4251810	Heat Exch, Ref
14.	3130640	Evaporator, Ref
15.	6201270	Screw, #8-18 x 5/8" PH PN SS-Gnd
16.	4251810	Heat Exch, Ref
17.	3120370	Condenser
18.	6231490	Tape, Foam XLPE
19.	6200010	Screw, #10-12 x 3/4" Pan HD
20.	2600138	Drain Pan Heater Loop
21.	3421410	Drain Pan Heater Loop Support
22.	3520500	Tube, Fitting Tee-5/16"ID

430-2 SEALED SYSTEM VIEW

