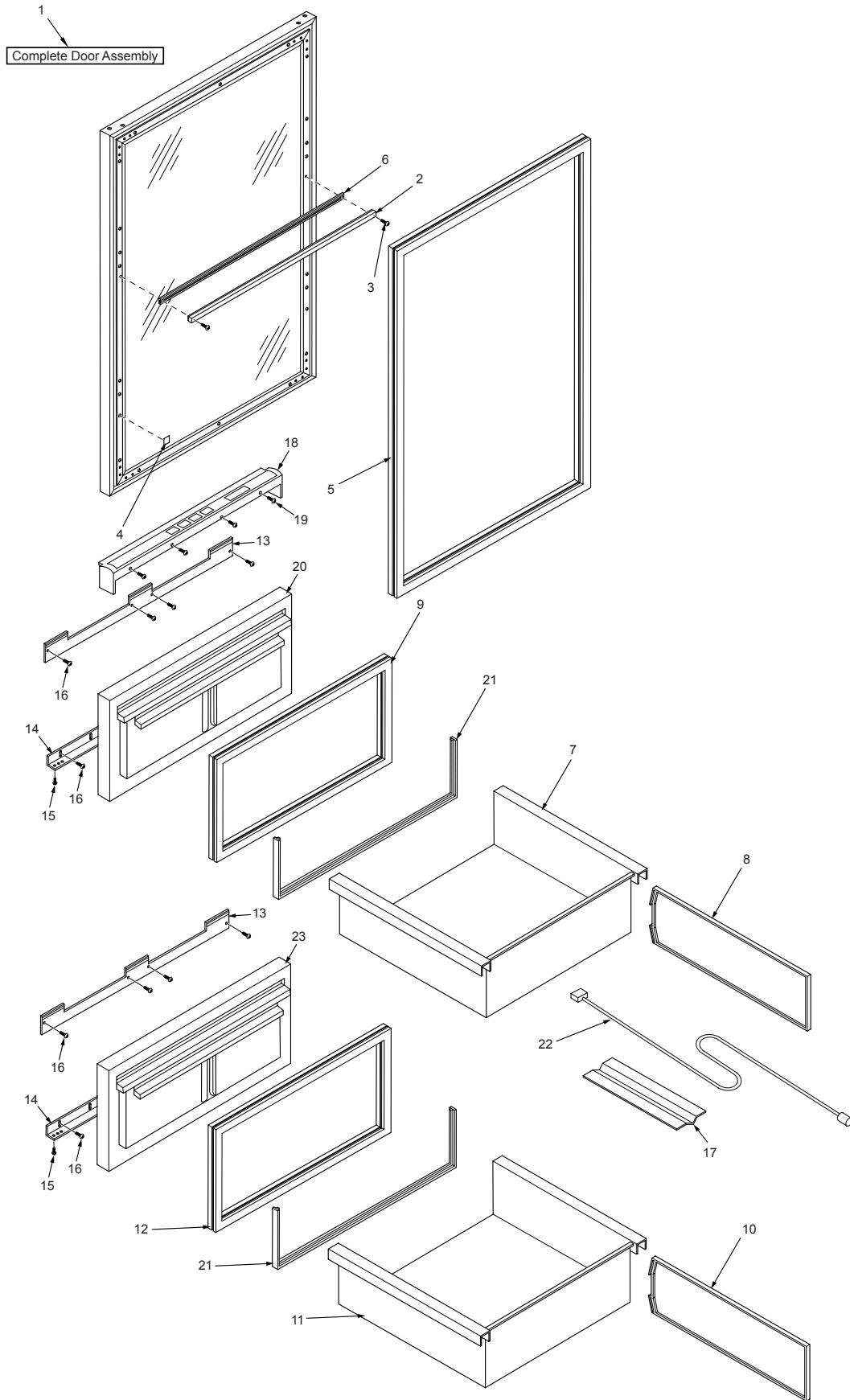


427R DOOR & DRAWER VIEW PARTS LIST

1. 4132751 Glass Door Assy- RH (Does Not Include Hinges or Handle)
- 4132752 Glass Door Assy- LH (Does Not Include Hinges or Handle)
- 4134391 Door Assy, (High Altitude) -427R-G RH
- 4134392 Door Assy, (High Altitude) -427R-G LH
- 4133011 Door Assy, Solid - RH (Does Not Include Hinges or Handle)
- 4133012 Door Assy, Solid - LH (Does Not Include Hinges or Handle)
2. 3212030 Seal, Center
3. 6201360 Screw, #4 x 3/4" PH PAN HD TYPE A
4. 6230970 Tape, Black Poly
5. 3211970 Gasket, Door
6. 2813201 Holder, Compression Gasket 24.4
7. 4181930 Drawer Assy, Upper Beverage
- 4131760 Upper Drawer Tub (Includes Seal, Tub White)
8. 3601340 Upper Drawer Divider
9. 3211520 Upper Drawer Gasket
10. 3601350 Lower Drawer Divider
11. 4181940 Drawer Assy, Lower Beverage
- 4131780 Lower Drawer Tub (Includes Seal, Tub White)
12. 3211540 Lower Drawer Gasket
13. 0183580 Drawer Panel Bracket-Upper
14. 0183590 Drawer Panel Bracket-Lower
15. 6200780 Screw, #10-24 x 1/2" PH Hex Washer
16. 6200720 Screw, #8-18 x 1/2 PH Truss HD
17. 3421530 Channel, Wire 17.225"
18. 4161550 Drawer Control Panel Assy (See SN Breaks)
- 4203380 Control Panel Assy, Drawer (See SN Breaks)
19. 6200700 Screw, #6-20 x 5/8" PH Flat HD SS
20. 4131730 Upper Drawer Front Assembly
21. 3211560 Seal, Tub White 37-5/8"
22. 3022950 Cable Assy, Control
23. 4131740 Lower Drawer Front Assy

NOTE: Door panels on this model are a sales accessory. For part numbers of complete door panel sets or components of the door panel sets, contact the factory.

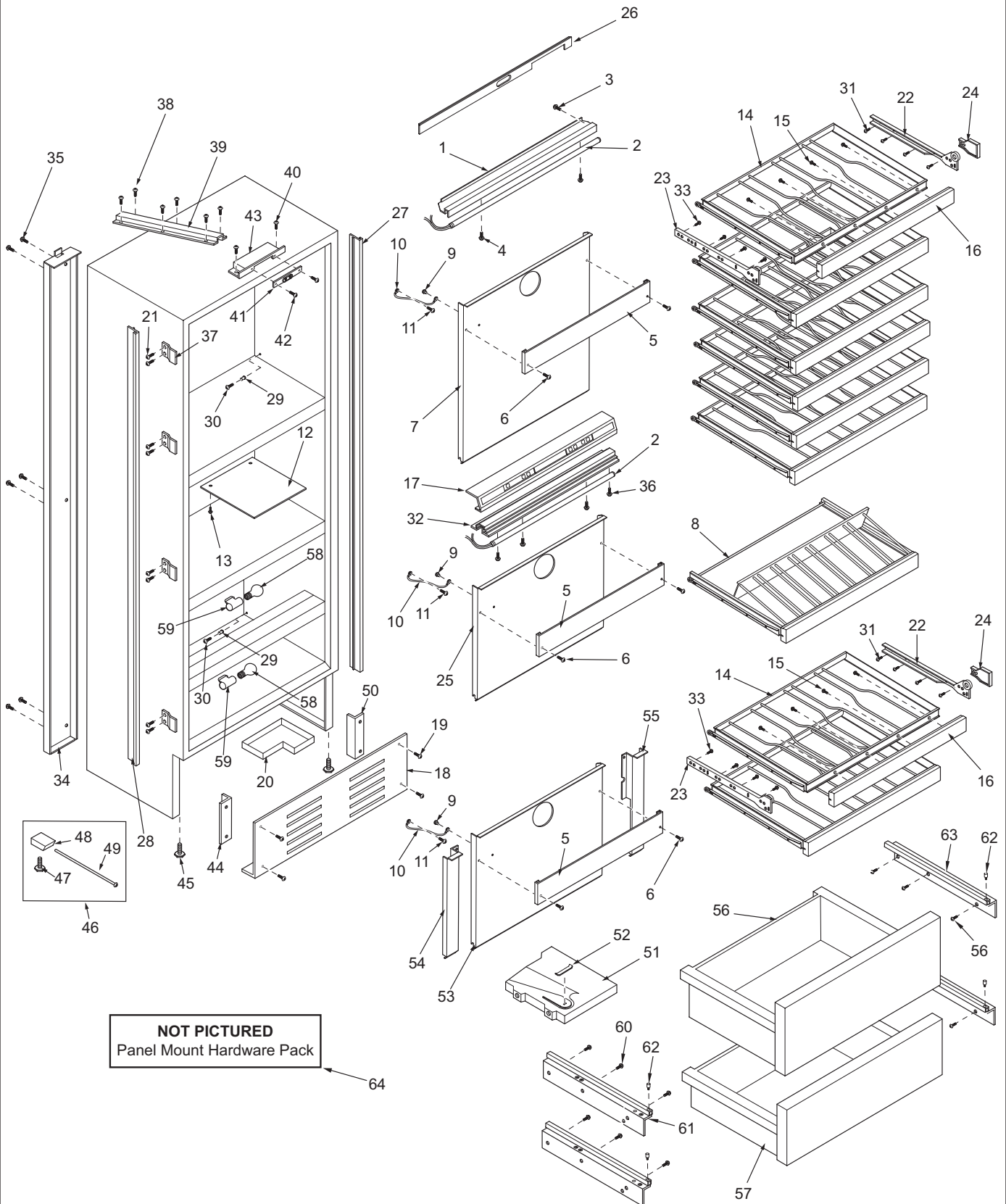
427R DOOR & DRAWER VIEW



427R COSMETIC VIEW PARTS LIST

1.	3511680	Extrusion, Upper Light	33.	6201230	Screw, #8 x 7/8" w/a #7 PH FT Head
2.	3030150	Light Strip, 15 WATT	34.	0169160	Duct, Back
3.	6201270	Screw, #8-18 x 5/8" PH PN SS-Gnd	35.	6201240	Screw, #8 x 1-3/8" w/a #7 PH FT Hd
4.	6201310	Screw, #8 x 1-3/4" Flat PH HD	36.	6201270	Screw, #8-18 x 5/8" PH PN SS-Gnd
5.	0212340	Cover, Evap Fan	37.	3421510	Bracket-Unit to Cabinetry
6.	6201010	Screw, #8-15 x 2" Pan Head	38.	6200010	Screw, #10-12 x 3/4" Pan HD
7.	0201070	Evap Cover, UPR-LH UNIT	39.	0169290	Raceway, Wire
	0201080	Evap Cover, UPR-RH UNIT	40.	6200010	Screw, #10-12 x 3/4" Pan HD
8.	4181770	Rack Assy, Display Wine	41.	3450920	Bracket, Switch Mnt (See SN Breaks)
9.	6180010	Pop Rivet, 1/8"		3450980	Bracket, Switch Mnt (See SN Breaks)
10.	4323860	Ground Wire Assy	42.	6200210	Screw, #8-32 x 1/2" Flat Head
11.	6201270	Screw, #8-18 x 5/8" PH PN SS-Gnd	43.	0169260	Switch Enclosure (See SN Breaks)
12.	0184410	Panel, Srvc/Access (See SN Breaks)		0261710	Box, Switch RH (See SN Breaks)
	4152220	Pnl Assy, Srvc Acc (See SN Breaks)		0261720	Box, Switch LH (See SN Breaks)
13.	6200720	Screw, #8-18 x 1/2 PH Truss HD	44.	0167662	Kickplate Bracket - LS
14.	4181730	Wine Rack Assembly	45.	3570060	Front Leveler Bolt
15.	6201420	Screw	46.	4202000	Rear Leveler Assembly
16.	3516530	Molding, Wood Wine Rack	47.	N/A	Rear leveler Foot - (See 4202000)
17.	4203120	Control Panel Pkg, SRVC - 427	48.	N/A	Leveler Assy, Rear - (See 4202000)
18.	3530430	Kickplate/Grille	49.	3421500	Adjusting Rod
19.	6200050	Screw, #10-12 x 1/2" Pan HD	50.	0167661	Kickplate Bracket - RS
20.	0168880	Pan, Drain	51.	0233490	Wire Tray
21.	6200720	Screw, #8-18 x 1/2 PH Truss HD	52.	3450780	Wire Clip
22.	3413551	Cabinet Slide, RH		6150760	Wire Fastener
23.	3413552	Cabinet Slide, LH	53.	0201020	Evap Cover, LWR
24.	3421830	Slide Spacer	54.	0201120	Evap Support, LWR LH
25.	0201050	Evap Cover, MDL-LH UNIT	55.	0201110	Evap Support, LWR RH
	0201060	Evap Cover, MDL-RH UNIT	56.	4181930	Drawer Assy, Upper Beverage (See Door View for Breakdown)
26.	3516451	Molding, Top RH (See SN Breaks)		4181940	Drawer Assy, Lower Beverage (See Door View for Breakdown)
	3516680	Molding, Top RH (See SN Breaks)	58.	3030060	Light Bulb, 25 Watt
	3516452	Molding, Top LH (See SN Breaks)	59.	3050010	Light Sckt, 3/4 Sngl (See SN Breaks)
	3516680	Molding, Top LH (See SN Breaks)		3050220	Socket, Light Sngl (See SN Breaks)
27.	3516010	Side Molding	60.	6201140	Screw, 1/4-20 x 1/2" Sems But HD
28.	3516010	Side Molding	61.	3412032	Drawer Slide-LS
29.	3520120	Brass Insert	62.	3550720	White Thread Pin
30.	6200130	Screw, #8-18 x 3/4" Truss HD	63.	3412031	Drawer Slide-RS
31.	6201230	Screw, #8 x 7/8" w/a #7 PH FT Head	64.	6201430	(Not pictured) Panel Mnt Hrdwr Pack
32.	3511710	Housing, Lower Light			

427R COSMETIC VIEW



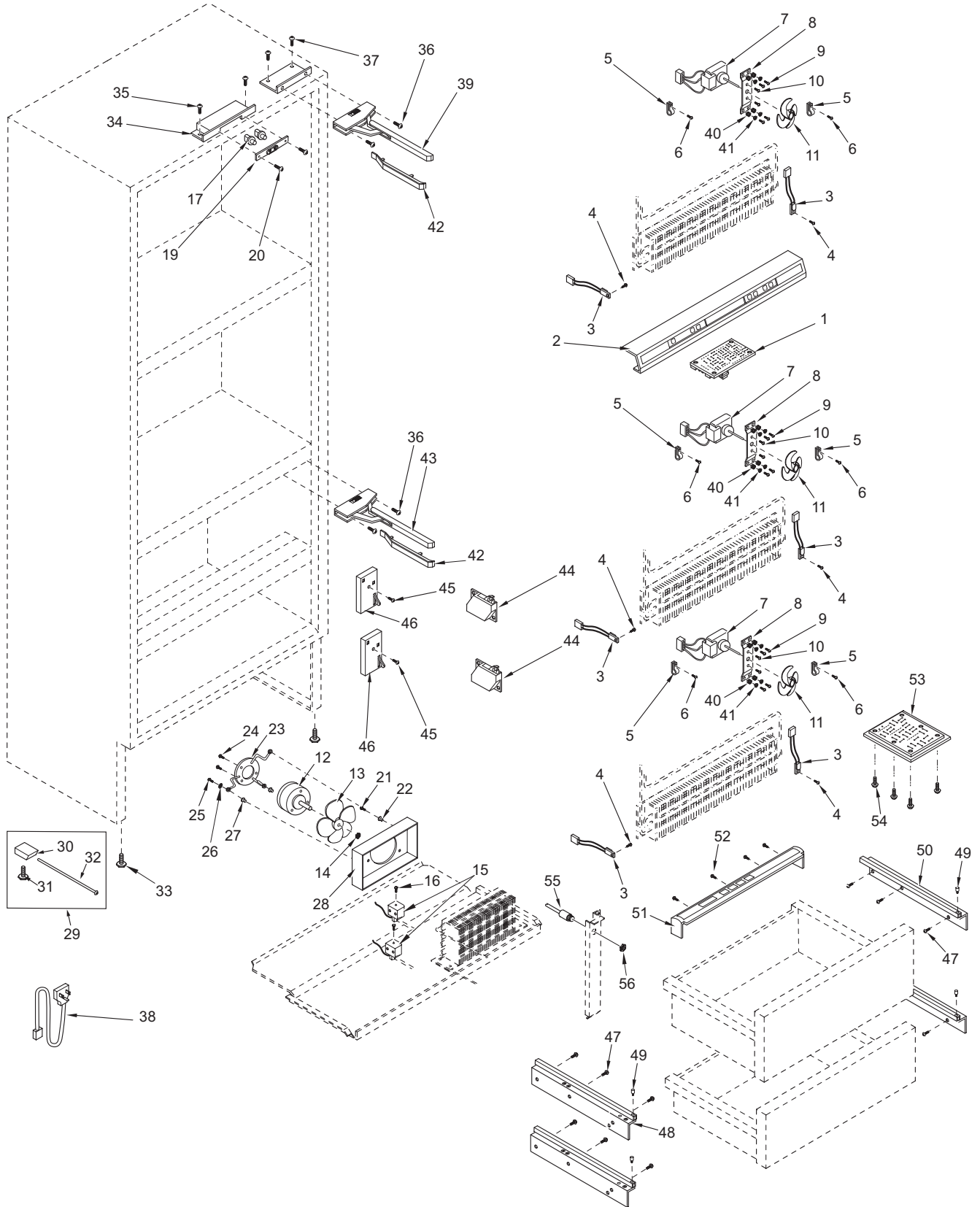
427R MECHANICAL VIEW PARTS LIST

1.	4203140	Control Board PKG, SRVC 400	30.	N/A	Rear leveler Foot - (See 4202000)
2.	4203120	Control Panel Pkg, SRVC - 427R	31.	N/A	Leveler Assy, Rear - (See 4202000)
3.	3014350	Thermistor	32.	3421500	Adjusting Rod
4.	6201270	Screw, #8-18 x 5/8" PH PN SS-Gnd	33.	3570060	Front Leveler Bolt
5.	6120030	Tube Clamp, Plastic 1/4"	34.	0169260	Switch Enclosure (See SN Breaks)
6.	6201270	Screw, #8-18 x 5/8" PH PN SS-Gnd		0261710	Box, Switch RH (See SN Breaks)
7.	4220490	Fan Motor Assy (Incl. Brkt & Screws)		0261720	Box, Switch LH (See SN Breaks)
8.	0212330	Bracket, Evap Fan Motor	35.	6200010	Screw, #10-12 x 3/4" Pan HD
9.	6201270	Screw, #8-18 x 5/8" PH PN SS-Gnd	36.	6201140	Screw, 1/4-20 x 1/2" Sems But HD
10.	6110270	Bolt, #10-32 x 1/4" RD HD	37.	6200780	Screw, #10-24 x 1/2" PH Hex Washer
11.	3150640	Fan blade, Evaporator	38.	4324800	Retractor Assy, Power Cord
12.	4200740	Condenser Fan Motor Components (Blade & Bracket NOT included)	39.	3541031	Top Hinge Assy - RH
13.	3150660	Condenser Fan Blade		3541032	Top Hinge Assy - LH
14.	6150410	Nut, 1/4-20	40.	3220250	Grommet, Rubber-#M5351
15.	4203060	Valve/Sol Components, UPR-Wine	41.	3520120	Brass Insert, Fan Bracket
	4203070	Valve/Sol Components, LWR-Wine	42.	3541050	Hinge Cover
16.	N/A	(Included w/ Valve/Sol Components)	43.	3541041	Lower Hinge Assy - RH
17.	3060030	Light Switch, Normally		3541042	Lower Hinge Assy - LH
18.	3060020	Fan Switch, Normally Open	44.	3541020	Drawer Closer
19.	3450920	Bracket, Switch Mnt (See SN Breaks)	45.	6200280	Screw, #8-18 x 1" Pan Head
	3450980	Bracket, Switch Mnt (See SN Breaks)	46.	4202580	Reed Switch
20.	6200210	Screw, #8-32 x 1/2" Flat Head	47.	6201140	Screw, 1/4-20 x 1/2" Sems But HD
21.	6200450	Screw, #8 x 1" Type AR Flat	48.	3412032	Drawer Slide-LS
22.	3420670	Screw Spacer	49.	3550720	White Thread Pin
23.	3150670	Bracket, Cond Fan - Wine	50.	3412031	Drawer Slide-RS
24.	6200490	Screw, #8-32 x 3/8" Slotted Hex T25	51.	4161550	Drwr Cntrl Pnl Assy (See SN Breaks)
25.	6201280	Machine Screw, #10-32 x 1-1/4"		4203380	Drwr Cntrl Pnl Assy (See SN Breaks)
26.	6240350	Fender Washer, .25x1.25x.06	52.	6200700	Screw, #6-20 x 5/8" PH Flat HD SS
27.	6150330	Well Nut, .75D x .804", #10-32	53.	4203240	Pckg, Cntrl Brd Ref (See SN Breaks)
28.	0169340	Fan Shroud, Condenser		4203290	Pckg, Cntrl Brd Ref (See SN Breaks)
29.	4202000	Rear Leveler Assembly	54.	6201130	Screw, #8x 1/2" PH FL HD SS
			55.	4202770	Cabinet W/H Rpair Pkg
			56.	6150800	Plastic Hex Nut, 5/8-27 UNS-2A

Not Pictured

- 3021890 Wire Harness,Cabinet - Ref. Section
- 3021920 Wire Harness,Cabinet - Wine Section

427R MECHANICAL VIEW



427R SEALED SYSTEM VIEW PARTS LIST

1. 4203060 Valve/Sol Components, UPR-Wine
4203070 Valve/Sol Components, LWR-Wine
2. 6160030 Spacer, 5/16 x 7/16 x 5/8"
3. 3150010 Rubber Grommet, Small, 5/8"
4. 6240050 Flat Washer, 5/16"
5. 6200140 Screw, #8-15 x 3/8" Truss HD
6. 6120030 Tube Clamp, Plastic 1/4"
7. 3014420 Drier, Service Wine
8. 6240050 Flat Washer, 5/16"
9. 6240090 Lock Washer, 5/16"
10. 6150220 Nut, 5/16-18 Hex Zinc
11. 4203230 Compressor Pkg. SRVC-WINE (EMI30HER)
3111370 Relay, (1351400)
3111410 Overload, (4TM734LFB)
12. 6200110 Screw, #10-12 x 5/8" Truss SS
13. 6201270 Screw, #8-18 x 5/8" PH PN SS-Gnd
14. 4211570 Evaporator Assy, UPR (Includes Heat Exchanger)
3130510 Evaporator, 4 Pass
4251460 Heat Exchanger
15. 0862330 Bracket, Solenoid
16. 6200330 Screw, #8-18 x 3/8" Pan Head
17. 3120350 Condenser
18. 4201880 Compressor, Refrig. (EMI30HER)
3111370 Relay, (1351400)
3111410 Overload, (4TM734LFB)
19. 3014230 Filter-Drier, High Side
20. 4211580 Evaporator Assy, MDL (Includes Heat Exchanger)
3130510 Evaporator, 4 Pass
4251470 Heat Exchanger
21. 4211590 Evaporator Assy, LWR (Includes Heat Exchanger)
3130510 Evaporator, 4 Pass
4251480 Heat Exchanger
22. 6150080 Nut-Flat, #10-24
23. 0140360 Tray, Unit

427R SEALED SYSTEM VIEW

