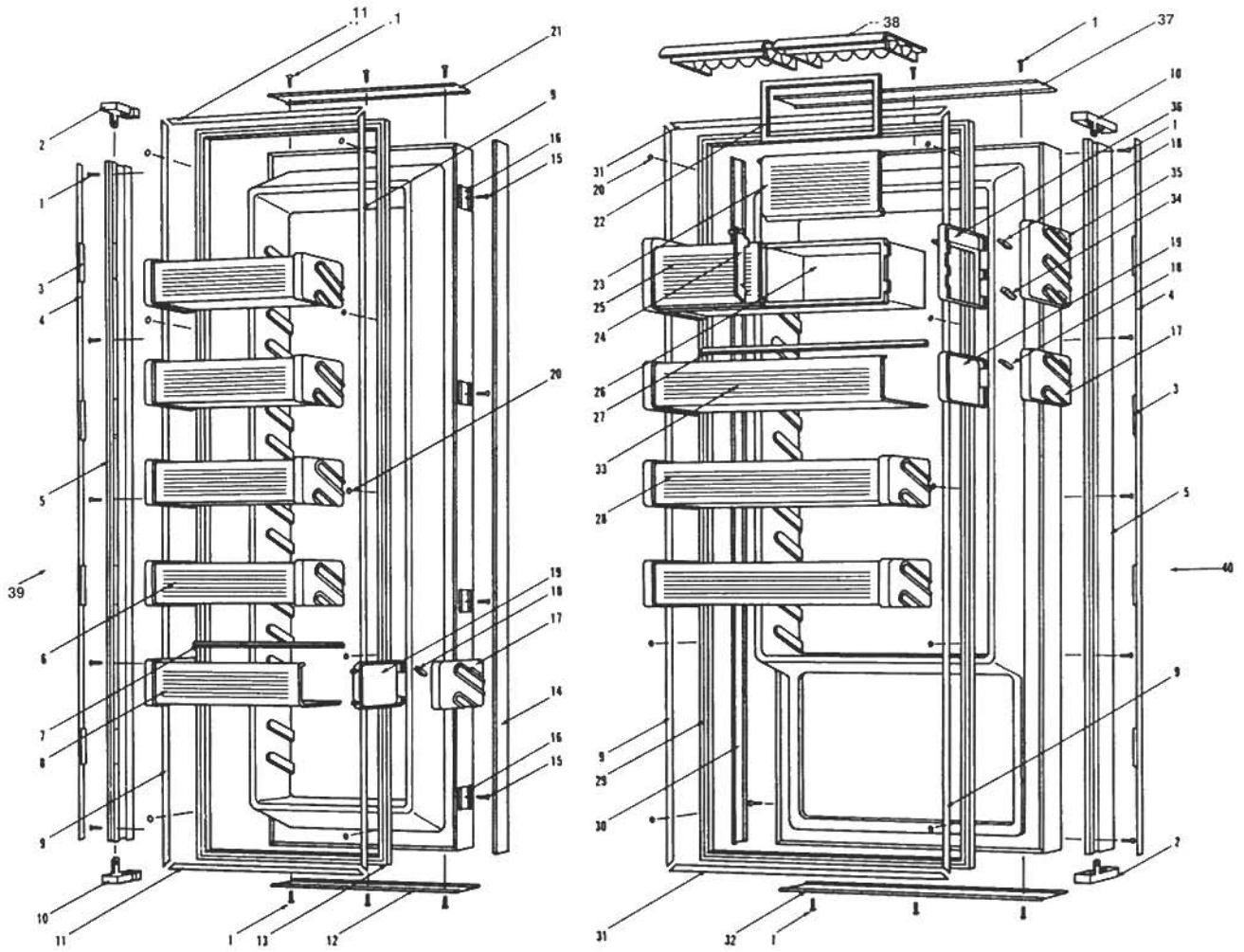


532 DOOR VIEW

Ref.	Part No.	Description	Ref.	Part No.	Description
1	6200720	Screw, #8-18 x 1/2 PH Truss HD	20	6200410	Screw, #8 x 1/2" Slot Head Hex
2	4200490	Standard Handle End Cap Replacement Components	21	2225404	Door Trim, Top
	4200700	Extended Handle End Cap Replacement Components	22	3210730	Dairy Door Seal
3	3450450	Molding Magnet - 3"	23	3515620	Dairy Door
4	4130970	Handle Molding Assembly	24	3421060	Dairy Compartment Center Divider
5	4130910	Door Handle Assembly	25	4330310	Dairy Compartment Assembly
	EH561	Extended Handle Assembly Set	26	3600870	Dairy Compartment
6	4330280	Door Shelf Assembly, Fre	27	3510720	Door Shelf Support, Ref
7	3510740	Door Shelf Support, Fre	28	4330260	Door Shelf Assembly
8	3601000	Freezer Door Shelf	29	3211080	Door Gasket, Refrig.
9	3420260	Gasket Retainer, 66.875"	30	2225201	Door Trim, Side; Ref RS/Fre LS
10	4200490	Standard Handle End Cap Replacement Components	31	3420200	Gasket Retainer, 27.062"
	4200700	Extended Handle End Cap Replacement Components	32	2225502	Door Trim, Bottom
11	3420140	Gasket Retainer, 16.125"	33	3600980	Refrigerator Door Shelf
12	2225405	Door Trim, Freezer Bottom	34	3550490	Dairy Compartment Retainer
13	3211090	Door Gasket, Freezer	35	3600851	Dairy Compartment Outer End Cap; RS
14	2225201	Door Trim, Side; Ref RS/Fre LS		3600852	Dairy Compartment Outer End Cap; LS
15	6180040	Pop Rivet, 3/16x1/8 Grip	36	3600891	Dairy Compartment Inner End Cap RS
16	3450460	Door Trim Clip		3600892	Dairy Compartment Inner End Cap LS
17	3600751	Door Shelf Outer End Cap RS	37	2225501	Door Trim, Top
	3600752	Door Shelf Outer End Cap LS	38	3410920	Egg Tray
18	3550440	Door Shelf Retainer	39	4130870	Door Assembly, Fre
19	3600761	Door Shelf Inner End Cap RS	40	4130890	Door Assembly, Ref
	3600762	Door Shelf Inner End Cap LS			

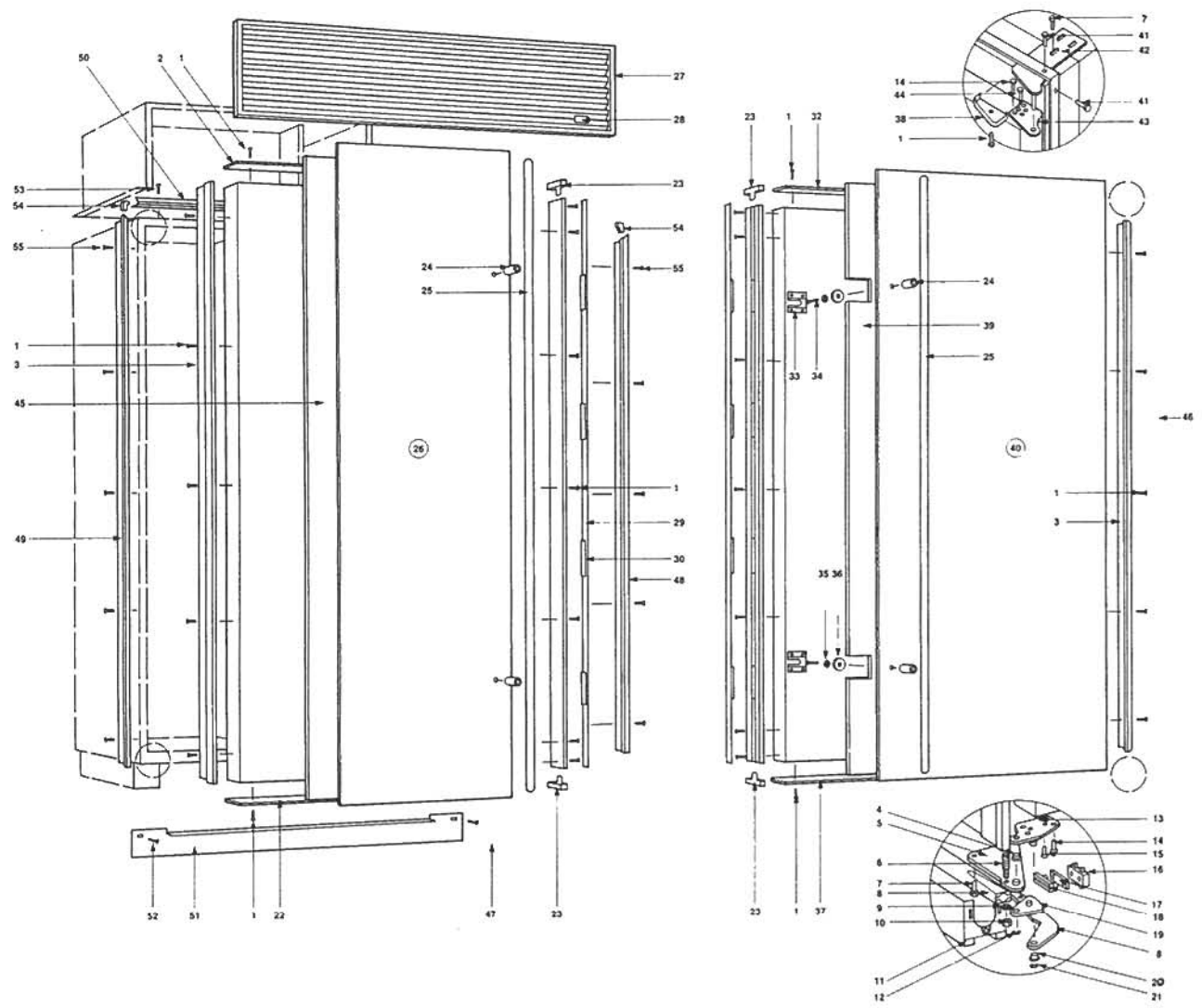
532 DOOR VIEW



532 STAINLESS STEEL EXTERNAL COSMETIC/DOOR VIEW

Ref.	Part No.	Description	Ref.	Part No.	Description
1	6200720	Screw, #8-18 x 1/2 PH Truss HD	26	SSFP532F	Stainless Steel Front Panel, Freezer
2	2229403	Door Trim, Freezer, Top - Square Corner	27	SS4811	Grille Assembly, Stainless Steel - 48x11
3	3511130	Door Trim, Hinge Side - Square Corner	28	3580200	Name Plate
4	3421270	Hinge Bearing, 3/8" x 5/8"	29	4131860	Handle/Trim Molding Assembly
5	4151281	Cabinet Hinge Assembly, Lower; RH	30	3450450	Molding Magnet - 3"
	4151282	Cabinet Hinge Assembly, Lower; LH	31	4131890	Door Trim Assembly, Handle Side
6	3550190	Bottom Hinge Stud	32	2229401	Door Trim, Refrig; Top - Square Corner
7	6110070	Bolt, 1/4-20 x 3/4" Spinlock Zinc	33	0183770	Handle Mounting Bracket
8	3421300	Door Closer Housing	34	6110670	Machine Screw, #10-24x1-1/2 FL
	3421290	Door Closer Linkage	35	3421590	Door Handle Catch
	3450530	Door Closer Spring (Standard)	36	6240350	Fender Washer, .25x1.25x.06
	3450710	Low Pull Spring	37	2229402	Door Trim, Refrig; Bottom - Square Corner
	0165980	Door Closer Spring Retainer	38	3541017	Top Cabinet Hinge Cover, RH
	0183111	Door Closer Arm - RH		3541018	Top Cabinet Hinge Cover, LH
	0183112	Door Closer Arm - LH	39	0183710	Door Panel Backer, Refrigerator
	4200111	Door Closer Assembly, RH	40	SSFP532R	Stainless Steel Front Panel, Refrigerator
	4201112	Door Closer Assembly, LH	41	6200070	Screw, #4-24 x 3/8" Flat HD
9	6240070	Lock Washer, 1/4" SS	42	4151271	Cabinet Hinge Assembly, Upper; RH
10	6150200	Nut, 1/4-20 Hex		4151272	Cabinet Hinge Assembly, Upper; LH
11	4110353	Base Assy (w/rollers)	43	4151471	Door Hinge Assy, Top; RH
12	3450560	E-Ring, 7/16"		4151472	Door Hinge Assy, Top; LH
13	4151241	Door Hinge, Bot; RH	44	6200390	Screw, #6 x 3/8" T25 Flat Head PH
	4151242	Door Hinge, Bot; LH	45	0183720	Door Panel Backer, Freezer
14	6110540	Bolt, #10-24 x 1/2" Flat Socket HD	46	4131820	Door Assembly, Refrigerator, SS Framed
15	6200210	Screw, #8-32 x 1/2" Flat Head	47	4131830	Door Assembly, Freezer, SS Framed
16	3450570	Door Closer Cushion	48	4120580	Main Frame Assembly, Right Side
17	0165970	Door Closer Guide Support	49	4120590	Main Frame Assembly, Left Side
18	3421310	Door Closer Guide	50	2229701	Main Frame, Top
19	DS90	Door Stop-90 Degree	51	0167810	Kickplate, Stainless Steel
	DS105	Door Stop-105 Degree	52	6200050	Screw, #10-12 x 1/2" Pan HD
20	3421260	Door Closer Bearing	53	6200010	Screw, #10-12 x 3/4" Pan HD
21	3450550	E-Ring / Klipring, 5/16"	54	2210701	Main Frame Angle
22	2229404	Door Trim, Freezer, Bottom - Square Corner	55	6200210	Screw, #8-32 x 1/2" Flat Head
23	4202510	Replacement Trim Cap Components			
24	3511190	Handle Standoff, 1"D			
25	3511160	SS Door Handle, 1"Dia x 63-7/8"			

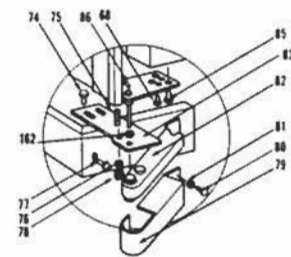
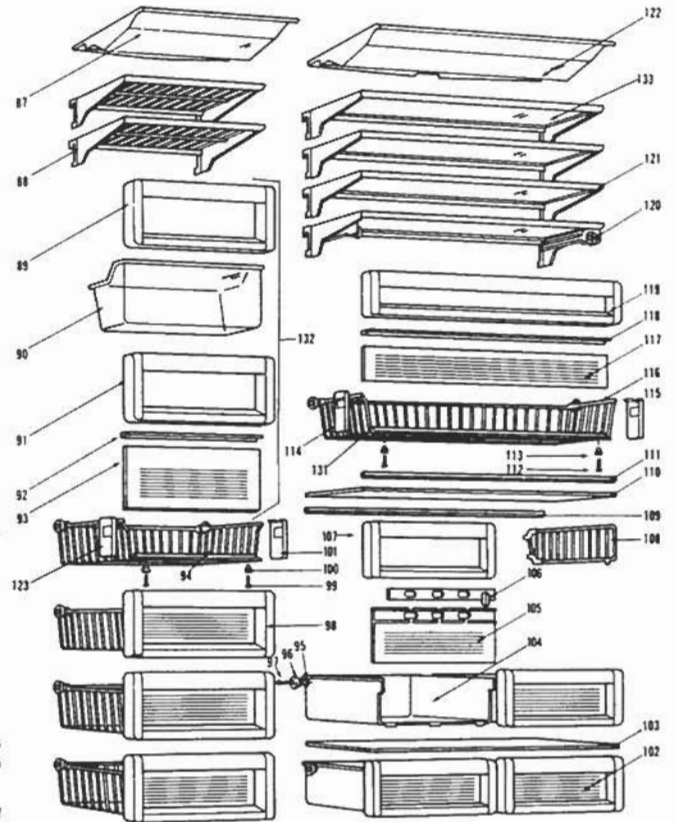
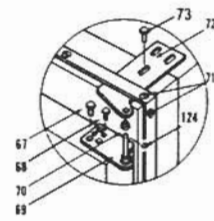
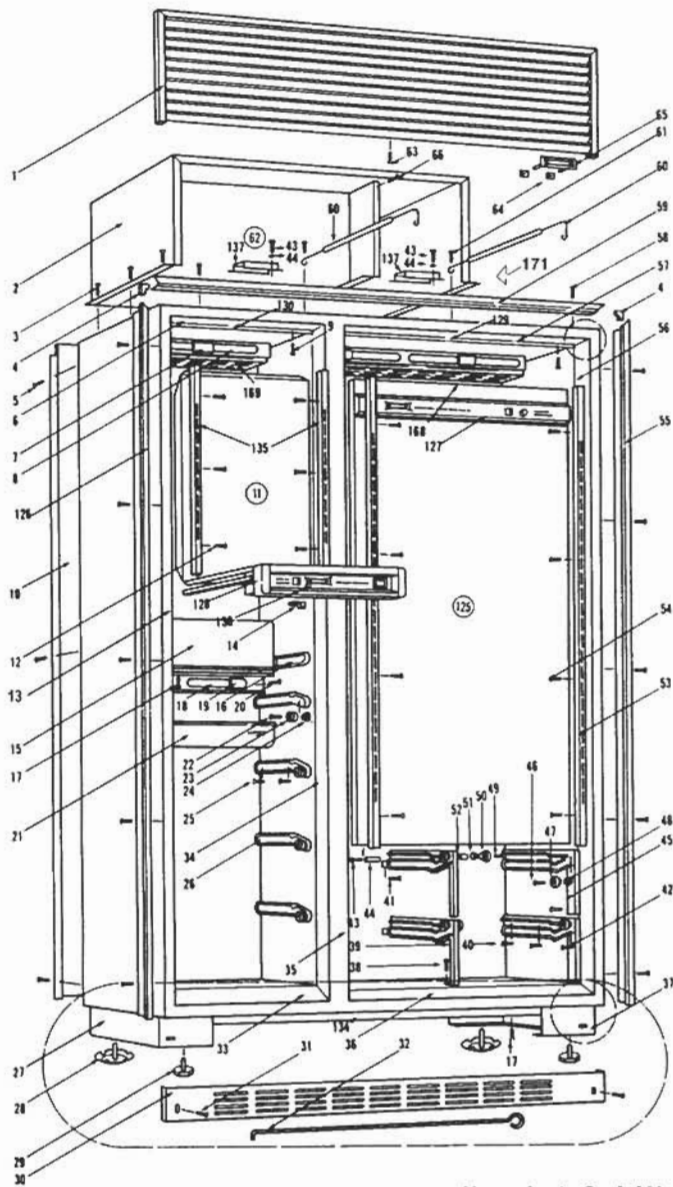
532 STAINLESS STEEL EXTERNAL COSMETIC/DOOR VIEW



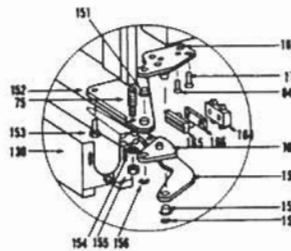
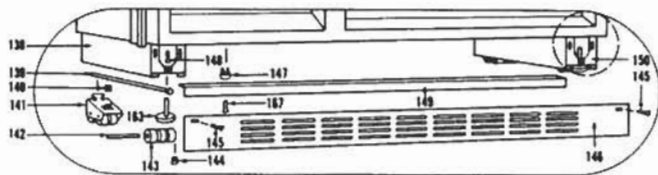
532 COSMETIC VIEW

Ref.	Part No.	Description	Ref.	Part No.	Description
1	LG4811	Louvered Grille, 48 x 11	85	6110010	Bolt, #10-24 x 1/2" Flat Head UC
2	4280440	Unit Shroud Assembly	86	3540420	Door Hinge w/Pin, Bottom RH
3	6200230	Screw, #8-18 x 1/2" Hex Head		3540430	Door Hinge w/Pin, Bottom LH
4	2210701	Main Frame Angle	87	4200790	Light Diffuser Replacement Components; Fre
5	6200230	Screw, #8-18 x 1/2" Hex Head	88	3600830	Wire Shelf
6	1807300	Breaker Strip, 6' Length - NOTE: Must be cut to length	89	3410820	Freezer Basket/IM Bucket Front
7	3050020	Light Socket, 3/4 Double	90	3411070	Ice Bucket
8	3030040	Light Bulb, Long/Narrow; 40 Watt	91	3410820	Freezer Basket/IM Bucket Front
9	6200140	Screw, #8-15 x 3/8" Truss HD	92	3600950	Drawer Glass Retainer
10	0164550	Back Cover and Shroud	93	3500260	Freezer Drawer Glass
11	0232880	Freezer Duct/Evaporator Cover	94	NLA	Freezer Basket - See 4180880
12	6200710	Screw, #8-18 x 3/8" Fillister HD	95	3430080	Roller Bushing
13	1807300	Breaker Strip, 6' Length - NOTE: Must be cut to length	96	3421110	Crisper Roller
14	6220350	Shelf Support	97	6200730	Screw, #10-16 x 3/4" PH Flat HD UC
15	4180830	Ice Bucket Carriage Assembly	98	4180880	Basket Assembly, Fre
16	3410931	Ice Bucket Slide, Right	99	6200700	Screw, #6-20 x 5/8" PH Flat HD SS
	3410932	Ice Bucket Slide, Left	100	6220320	Screw Grommet
17	6200010	Screw, #10-12 x 3/4" Pan HD	101	3410971	Freezer Basket Retainer, RS
18	3030040	Light Bulb, Long/Narrow; 40 Watt	102	4180900	Crisper Drawer Assembly
19	3050010	Light Socket, 3/4 Single	103	4151100	Crisper Tray Assembly
20	6200090	Screw, #8-15 x 1-3/4" Truss HD	104	3411021	Crisper Drawer
21	3500310	Lower Light Diffuser	105	3411041	Crisper Glass Front
22	6200730	Screw, #10-16 x 3/4" PH Flat HD UC	106	3411051	Vent Slide
23	3421160	Basket Slide Roller	107	3 411031	Crisper Drawer Front
	3421170	Freezer Basket Slide Roller, Wide	108	3411160	Ref Roll-Out Bskt Divider
24	3430080	Roller Bushing	109	1302000	Rear Crisper Seal
25	6200450	Screw, #8 x 1" Type AR Flat	110	4151070	Crisper Glass Assembly
26	4180971	Freezer Basket Slide Assy - Right	111	2301701	Front Crisper Seal
	4180972	Freezer Basket Slide Assy - Left	112	6200700	Screw, #6-20 x 5/8" PH Flat HD SS
27	4110032	Left Base Assembly	113	6220320	Screw Grommet
28	3570020	Rear Leveling Leg, #18-3/8 x 1-1/2"	114	3411002	Refrigerator Roll-Out Basket Retainer, RH
29	3570050	Leveling Leg, #18-3/8 x 1"	115	3411001	Refrigerator Roll-Out Basket Retainer, LH
30	0164810	Kickplate, 3,25 x 47,5 - Vented	116	4180860	Basket Assembly, Ref Roll-out
31	6200050	Screw, #10-12 x 1/2" Pan HD	117	3500290	Refrigerator Roll-Out Basket Glass
32	3570030	Leveling Rod, 26-3/4"	118	3600930	Refrigerator Roll-Out Basket Glass Retainer
33	1807300	Breaker Strip, 6' Length - NOTE: Must be cut to length	119	3410900	Refrigerator Roll-Out Basket Front
34	1807200	Breaker Strip, Mullion- 6' Length - NOTE: Must be cut to length	120	4180800	Shelf Assembly, Ref Roll-out Basket
35	1807200	Breaker Strip, Mullion- 6' Length - NOTE: Must be cut to length	121	4180770	Glass Shelf Assembly
36	1807300	Breaker Strip, 6' Length - NOTE: Must be cut to length	122	4200810	Light Diffuser/Fan Shroud Replacement Components; Ref
37	4110031	Right Base Assembly	123	3410972	Freezer Basket Retainer, LS
38	3550460	White Cap plug	124	3450270	E-Ring / Retaining Ring
39	4180940	Crisper Slide Assy, Center	125	0200710	Refrigerator Evaporator Cover
40	6200450	Screw, #8 x 1" Type AR Flat	126	4120490	Main Frame Extrusion, LS
41	6200140	Screw, #8-15 x 3/8" Truss HD	127	3012580	Control Panel, Ref
42	6200450	Screw, #8 x 1" Type AR Flat	128	3410950	Freezer Control Panel Frame
43	6200010	Screw, #10-12 x 3/4" Pan HD	129	0211390	Light Diffuser Retainer
44	6240050	Flat Washer, 5/16"	130	0232670	Light Diffuser Retainer, Fre
45	4180931	Crisper Slide Assy, RS	131	NLA	Refrigerator Roll-Out Basket - See 4180860
	4180932	Crisper Slide Assy, LS	132	4180980	Ice Bucket Assembly
46	6200730	Screw, #10-16 x 3/4" PH Flat HD UC	133	NLA	Refrigerator Shelf Glass - See 4180770
47	3421110	Crisper Roller	134	0164870	Kickplate Support
48	3430080	Roller Bushing	135	3601111	Freezer Shelf Ladder RS
49	6200740	Screw, #10-32 x 11/16" PH Flat HD UC	136	3012660	Freezer Shelf Ladder LS
50	3421100	Crisper Roller	137	0165760	Control Panel, Fre
51	3430080	Roller Bushing	138	4110333	Switch Enclosure
52	3550450	Hex Insert	139	6110520	Base Assembly (w/rollers) - Right or Left
53	3601081	Cabinet Shelf Ladder RS	140	6150670	Adjusting Screw
	3601082	Cabinet Shelf Ladder LS	141	4110331	J-Nut, #10-24
54	6200710	Screw, #8-18 x 3/8" Fillister HD	142	3550560	Base Rear Roller Assy
55	4120460	Main Frame Extrusion, RS	143	3421240	Straight Pin, Base Assy - .312" x 2.88"
56	1807300	Breaker Strip, 6' Length - NOTE: Must be cut to length	144	3450620	Cabinet Roller
57	1807300	Breaker Strip, 6' Length - NOTE: Must be cut to length	145	6200050	Canoe Clip
58	6200010	Screw, #10-12 x 3/4" Pan HD	146	0166160	Screw, #10-12 x 1/2" Pan HD
59	2225701	Top Main Frame	147	0166020	Kickplate, Vented
60	3450120	Grille Spring, 1/4" x 9-5/8"	148	6220050	Kickplate, Black-Solid
61	6200010	Screw, #10-12 x 3/4" Pan HD	149	6200010	Screw Grommet, 1/2" x 5/8"
62	4280210	Compressor Shroud Assy	150	0166050	Screw, #10-12 x 3/4" Pan HD
63	6200770	Screw, #6-32 x 3/4" Pan HD	151	4110333	Kickplate Support
64	6150140	Spring Grip Nut, 1/8"	152	3421270	Base Assembly (w/rollers) - Right or Left
65	3580110	Nameplate	153	6110070	Hinge Bearing, 3/8" x 5/8"
66	6200060	Screw, #8-32 x 1/2" Pan HD	154	6240070	Cabinet Hinge, Bottom; RH
67	6110010	Bolt, #10-24 x 1/2" Flat Head UC	155	6150200	Cabinet Hinge, Bottom; LH
68	6200390	Screw, #6 x 3/8" T25 Flat Head PH	156	3450560	Bolt, 1/4-20 x 3/4" Spinlock Zinc
69	3540340	Door Hinge, Top RH	157	3450550	Lock Washer, 1/4" SS
70	3540350	Door Hinge, Top LH	158	3421260	Nut, 1/4-20 Hex
71	3420070	Hinge Bearing	159	4201111	E-Ring, 7/16"
72	6200070	Screw, #4-24 x 3/8" Flat HD	160	DS90	E-Ring / Klipping, 5/16"
73	0182560	Cabinet Hinge, Top	161	DS105	Door Closer Bearing
74	6110070	Bolt, 1/4-20 x 3/4" Spinlock Zinc	162	4151241	Door Closer Assembly, RH
75	6110070	Bolt, 1/4-20 x 3/4" Spinlock Zinc	163	4151242	Door Closer Assembly, LH
76	3550190	Bottom Hinge Stud	164	6240160	Door Stop-90 Degree
77	6240070	Lock Washer, 1/4" SS	165	3570050	Door Stop-105 Degree
78	6150200	Nut, 1/4-20 Hex	166	3450570	Door Hinge, Bot; RH
79	0180271	Door Closer Cover, RS	167	3421310	Door Hinge, Bot; LH
80	0180272	Door Closer Cover, LS	168	0165970	Nylon Washer, 5/8 x .380 x 1/16"
81	6200010	Screw, #10-12 x 3/4" Pan HD	169	6200010	Leveling Leg, #18-3/8 x 1"
82	6240060	Star Washer, 1/4"	170	4200810	Door Closer Cushion
83	3540270	Door Closer	171	4200790	Door Closer Guide
84	3540410	Cabinet Hinge, Bottom RH & LH		6110540	Door Closer Guide Support
85	6200210	Screw, #8-32 x 1/2" Flat Head		3450520	Screw, #10-12 x 3/4" Pan HD
					Light Diffuser/Fan Shroud Replacement Components; Ref
					Light Diffuser Replacement Components; Fre
					Bolt, #10-24 x 1/2" Flat Socket HD
					Grille Hook

532 COSMETIC VIEW



Use prior to Serial No. M824753/P827403

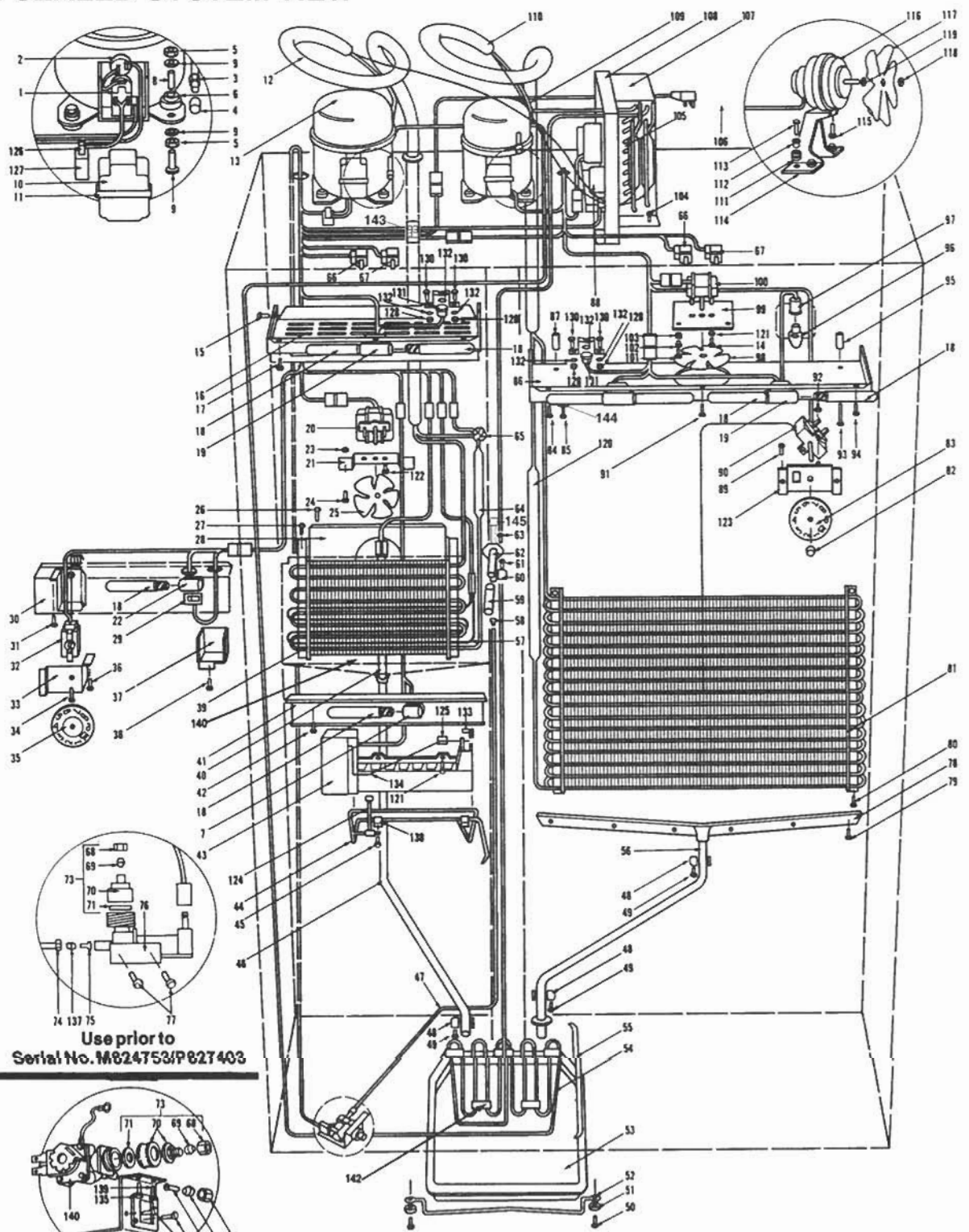


Use after Serial No. M824754/P827404

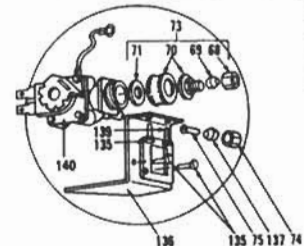
532 SEALED SYSTEM VIEW

Ref.	Part No.	Description	Ref.	Part No.	Description
1	****	Start Relay, Refrigerator	71	3210030	Solenoid Gasket
	****	Start Relay, Freezer	73	3520110	Water Inlet Fitting Assembly
2	****	Overload, Refrigerator	74	3520030	Icemaker Nylon Nut, 1/4"
	****	Overload, Freezer	75	3520050	Brass Insert, Solenoid
3	3090010	Compressor Base Valve - fits on 5/16"OD tubing - NOTE: Also see 3090100, 3090210, 3090220	76	4201440	Water Solenoid Valve
4	NLA	Valve Cap - See 3090010; 3090100; 3090210; 3090220.	77	6200060	Screw, #8-32 x 1/2" Pan HD
5	6150220	Nut, 5/16-18 Hex Zinc	78	4190160	Drain Trough Assembly
6	3150010	Rubber Grommet, Small, 5/8"	79	6200140	Screw, #8-15 x 3/8" Truss HD
	3150170	Rubber Grommet, Large, 15/16"	80	6200140	Screw, #8-15 x 3/8" Truss HD
7	3050010	Light Socket, 3/4 Single	81	3130260	Evaporator, Refrig.
8	6160030	Spacer, 5/16 x 7/16 x 5/8"	82	3012560	Control Knob
	6160070	Sleeve, 5/16 x 7/16 x 7/8"	83	3012810	Control Indicator
9	6240050	Flat Washer, 5/16"	84	6200140	Screw, #8-15 x 3/8" Truss HD
10	****	Compressor Cap	85	6200130	Screw, #8-18 x 3/4" Truss HD
11	****	Compressor Cap Strap	86	4160450	Fan Shroud Assembly, Ref
12	4250970	Heat Exchanger, Freezer	87	6220340	Screw Grommet / Stand-off
13	4201400	Service Freezer Compressor	88	3081180	Service Defrost Timer, 6Hr / 21Min
14	6110270	Bolt, #10-32 x 1/4" RD HD	89	6180010	Pop Rivet, 1/8"
15	6220190	Support, .275 x .750"	90	4201260	Control, Refrig
16	4160540	Freezer Duct Grille Assembly	91	6200140	Screw, #8-15 x 3/8" Truss HD
17	6200140	Screw, #8-15 x 3/8" Truss HD	92	6150320	Nut-Pal, #8-32
18	3030040	Light Bulb, Long/Narrow; 40 Watt	93	6200090	Screw, #8-15 x 1-3/4" Truss HD
19	3050020	Light Socket, 3/4 Double	94	6200140	Screw, #8-15 x 3/8" Truss HD
20	4200160	Freezer Fan Motor Replacement Components	95	6220340	Screw Grommet / Stand-off
21	0232770	Fan Bracket, Fre.	96	3030070	Light Bulb, 7W
22	3050060	Lamp Holder w/leads	97	3050070	Light Socket
23	6150030	Nut, #10-24 Hex SS	98	3150210	Fan Blade, Ref Evap
24	6110020	Bolt, #10-24 x 3/8" Truss HD	99	0211620	Refrigerator Fan Bracket
25	3150060	Fan Blade; Freezer; 5 prop; 5-1/2"	100	4200170	Refrigerator Fan Motor Replacement Components
26	6200120	Screw, #10-12 x 1/2" Truss HD	101	6200130	Screw, #8-18 x 3/4" Truss HD
27	6200120	Screw, #10-12 x 1/2" Truss HD	102	3520120	Brass Insert, Fan Bracket
28	0232720	Fan Shroud, Fre	103	3220250	Grommet, 3/16" x 7/16" x 9/32"
29	3060170	Icemaker Switch	104	6200010	Screw, #10-12 x 3/4" Pan HD
30	0232780	Shelf Front, Fre	105	3014230	Filter-Drier, High Side
31	6200140	Screw, #8-15 x 3/8" Truss HD	106	4321820	Power Cord
32	3012670	Control, Fre	107	3120201	Dual Condenser
33	0232730	Control Box	108	4280410	Fan Shroud Assembly
34	6110050	Bolt, #8-32 x 3/8" Truss HD	109	4201670	Service Refrigerator Compressor
35	3012640	Control Dial, Fre	110	4250960	Heat Exchanger, Refrigerator
36	6200140	Screw, #8-15 x 3/8" Truss HD	111	3220160	Grommet, 3/16" x 7/16" x 9/32"
37	0232740	Switch Box	112	3520120	Brass Insert, Fan Bracket
38	6200120	Screw, #10-12 x 1/2" Truss HD	113	6200280	Screw, #8-18 x 1" Pan Head
39	3130200	Evaporator Coil, Fre	114	1801700	Fan Bracket, Condenser
40	3013540	Drain Tube Heater	115	6200490	Screw, #8-32 x 3/8" Slotted Hex T25
41	0232710	Freezer Lower Light Bracket	116	4200740	Condenser Fan Motor Replacement Components
42	3030040	Light Bulb, Long/Narrow; 40 watt	117	3150320	Fan Blade, Cond, 5 prop, 7"
43	4200520	Complete Modular Icemaker Assembly	118	6150410	Nut, 1/4-20
	628366	Modular Head	119	3210340	Neoprene Silencer, 7/8"
44	3421220	Icemaker Control Arm	120	3011030	Refrigerator Accumulator, 7/8 x 15-5/8
45	6200140	Screw, #8-15 x 3/8" Truss HD	121	6200120	Screw, #10-12 x 1/2" Truss HD
46	1601400	Drain Tube, Wire - 1/2" x 72"	122	6110270	Bolt, #10-32 x 1/4" RD HD
47	2600617	Plastic Water Line	123	4151040	Control Bracket Assy
48	6120210	U-Clamp, 5/8"	124	3421070	Connecting Rod
49	6200010	Screw, #10-12 x 3/4" Pan HD	125	6220220	Screw Grommet, 1/32 x 3/8" SQ
50	6200440	Screw, #10-16 x 11/16" Type B Flat Head	126	4324110	Run Capacitor Wiring Harness
51	3420670	Screw Spacer	127	****	Run Capacitor
52	3420760	Drain Pan Holder	128	6150160	Nut, #8-32 Hex
53	0164940	Drain Pan, Plastic	130	6110050	Bolt, #8-32 x 3/8" Truss HD
54	2604101	Condensate Heater Loop	131	4200850	Light Terminator
55	6230370	Adhesive Back Foam Strip, 1 x 1/2 x 15'	132	6240020	Star Washer, 3/16"
56	1601400	Drain Tube, Wire - 1/2" x 72"	133	3450080	Icemaker Tube Clip, 1/2" x 13/16"
57	4322130	Defrost Heater Assembly	134	3140200	Icemaker Shut-off Arm
58	3520050	Brass Insert, Solenoid	135	6200010	Screw, #10-12 x 3/4" Pan HD
59	2605401	Extension Tube	136	0166190	Solenoid Bracket
60	6120120	Tube Clamp, 3/8" Stl w/nut	137	NLA	Solenoid Hose Fitting - See 3520110
61	6200330	Screw, #8-18 x 3/8" Pan Head	138	6120280	Tube Clamp, Nylon, 3/16"
62	1600800	Water Inlet Tube, 6"	139	6200060	Screw, #8-32 x 1/2" Pan HD
63	6200230	Screw, #8-18 x 1/2" Hex Head	140	4201450	Water Solenoid Valve
64	3011130	Freezer Accumulator	141	4151120	Freezer Evap Cover/Drain Trough Assy.
65	3082060	Defrost Terminator	142	6220210	Stand-off Heater Clip
66	3060140	SPST Light Switch	143	3081120	Fan Control Relay
67	3060130	SPST Fan/Icemaker Switch	144	6220330	Plastic Support
68	NLA	Compression Nut - See 3520110	145	4202170	Fill Tube Heater Assy.
69	NLA	Ball Sleeve - See 3520110			
70	NLA	Water Valve Fitting - See 3520110			

532 SEALED SYSTEM VIEW



Use prior to
Serial No. M824753/P827403



Use after
Serial No. M824754/P827404