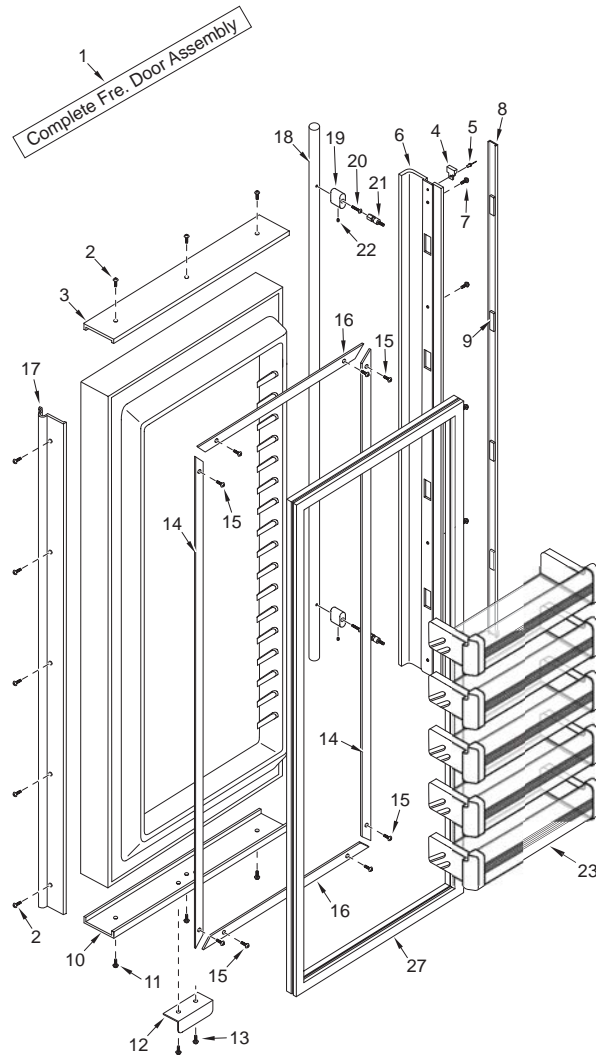




SERVICE PARTS MANUAL



BUILT-IN (600-2) SERIES

Approximate Starting Serial #2127000



INTRODUCTION

This Sub-Zero Service Parts Manual, Part #3758405, has been compiled with the latest service parts information.

NOTE: *The following may be contained in, or after part descriptions:*

- , **B** = carBon Unit
- , **P** = Platinum Unit
- , **S** = classic Stainless steel

(See SN Breaks) = See Serial Number Breaks in Price List

(PTS #.....) = Prior To Serial Number.....

(SWS #.....) = Starting With Serial Number.....

(See Page 2 for Table of Contents)

TECHNICAL ASSISTANCE

If you should have any questions regarding a Sub-Zero appliance and/or this manual, please contact:

Sub-Zero Freezer Company, Inc.

ATTN: Service Department

P.O. Box 44988

Madison, WI 53744-4988

Customer Service & Parts / Warranty Claims

Phone #: (800) 332 - 9513

Technical Assistance

Phone #: (800) 919 - 8324

Customer Service & Technical Assistance

Facsimile #: (608) 441 - 5887

Parts / Warranty Claims

Facsimile #: (608) 441 - 5886

Service Department e-mail Address

customerservice@wolfappliance.com

Office Hours:

7:00 AM to 7:00 PM Central Time

Monday through Friday

This manual is designed to be used by Authorized Service Personnel only. Sub-Zero Freezer Company, Inc. assumes no responsibility for any repairs made to Sub-Zero appliances by anyone other than Authorized Service Technicians.

The information and images contained in this manual are the copyright property of Sub-Zero Freezer Company, Inc. Neither this manual nor any information or images contained herein may be copied or used in whole or in part without the express written consent of Sub-Zero Freezer Company, Inc. ©, all rights reserved.



TABLE OF CONTENTS

<i>Page #</i>	<i>Page #</i>
<i>Model 601R-2 Door 4</i>	<i>Model 650-2 Door View (PTS #2354455)..... 76</i>
<i>Model 601R-2 Cosmetic 6</i>	<i>Model 650-2 Cosmetic (PTS #2354455)..... 78</i>
<i>Model 601R-2 Mechanical 8</i>	<i>Model 650-2 Mechanical (PTS #2354455)..... 80</i>
<i>Model 601R-2 Sealed System 10</i>	<i>Model 650-2 Sealed System (PTS #2354455)..... 82</i>
<i>Model 601RG-2 Door 12</i>	<i>Model 650-2 Door View (SWS #2354455)..... 84</i>
<i>Model 601RG-2 Cosmetic 14</i>	<i>Model 650-2 Cosmetic (SWS #2354455)..... 86</i>
<i>Model 601RG-2 Mechanical 16</i>	<i>Model 650-2 Mechanical (SWS #2354455)..... 88</i>
<i>Model 601RG-2 Sealed System 18</i>	<i>Model 650-2 Sealed System (SWS #2354455)..... 90</i>
<i>Model 601F-2 Door 20</i>	<i>Model 650G-2 Door (PTS #2354455)..... 92</i>
<i>Model 601F-2 Cosmetic 22</i>	<i>Model 650G-2 Cosmetic (PTS #2354455)..... 94</i>
<i>Model 601F-2 Mechanical 24</i>	<i>Model 650G-2 Mechanical (PTS #2354455)..... 96</i>
<i>Model 601F-2 Sealed System 26</i>	<i>Model 650G-2 Sealed System (PTS #2354455)..... 98</i>
<i>Model 611-2 Door View (PTS #2354455)..... 28</i>	<i>Model 650G-2 Door (SWS #2354455)..... 100</i>
<i>Model 611-2 Cosmetic (PTS #2354455)..... 30</i>	<i>Model 650G-2 Cosmetic (SWS #2354455)..... 102</i>
<i>Model 611-2 Mechanical (PTS #2354455)..... 32</i>	<i>Model 650G-2 Mechanical (SWS #2354455)..... 104</i>
<i>Model 611-2 Sealed System (PTS #2354455)..... 34</i>	<i>Model 650G-2 Sealed System (SWS #2354455)..... 106</i>
<i>Model 611-2 Door View (SWS #2354455)..... 36</i>	<i>Model 661-2 Door 108</i>
<i>Model 611-2 Cosmetic (SWS #2354455)..... 38</i>	<i>Model 661-2 Cosmetic 110</i>
<i>Model 611-2 Mechanical (SWS #2354455)..... 40</i>	<i>Model 661-2 Mechanical 112</i>
<i>Model 611-2 Sealed System (SWS #2354455)..... 42</i>	<i>Model 661-2 Sealed System 114</i>
<i>Model 611G-2 Door (PTS #2354455)..... 44</i>	<i>Model 685-2 Door (PTS #M2271174/P2273569) 116</i>
<i>Model 611G-2 Cosmetic (PTS #2354455)..... 46</i>	<i>Model 685-2 Cosmetic (PTS #M2271174/P2273569) 118</i>
<i>Model 611G-2 Mechanical (PTS #2354455)..... 48</i>	<i>Model 685-2 Mechanical (PTS #M2271174/P2273569) ... 120</i>
<i>Model 611G-2 Sealed System (PTS #2354455)..... 50</i>	<i>Model 685-2 Sld System (PTS #M2271174/P2273569) ... 122</i>
<i>Model 611G-2 Door (SWS #2354455)..... 52</i>	<i>Model 685-2 Door (SWS #M2271174/P2273569) 124</i>
<i>Model 611G-2 Cosmetic (SWS #2354455)..... 54</i>	<i>Model 685-2 Cosmetic (SWS #M2271174/P2273569) 126</i>
<i>Model 611G-2 Mechanical (SWS #2354455)..... 56</i>	<i>Model 685-2 Mechanical (SWS #M2271174/P2273569) .. 128</i>
<i>Model 611G-2 Sealed System (SWS #2354455)..... 58</i>	<i>Model 685-2 Sld System (SWS #M2271174/P2273569) .. 130</i>
<i>Model 632-2 Door 60</i>	<i>Model 695-2 Door (PTS #M2275455/P2269189) 132</i>
<i>Model 632-2 Cosmetic 62</i>	<i>Model 695-2 Cosmetic (PTS #M2275455/P2269189) 134</i>
<i>Model 632-2 Mechanical 64</i>	<i>Model 695-2 Mechanical (PTS #M2275455/P2269189) ... 136</i>
<i>Model 632-2 Sealed System 66</i>	<i>Model 695-2 Sld System (PTS #M2275455/P2269189) ... 138</i>
<i>Model 642-2 Door 68</i>	<i>Model 695-2 Door (SWS #M2275455/P2269189) 140</i>
<i>Model 642-2 Cosmetic 70</i>	<i>Model 695-2 Cosmetic (SWS #M2275455/P2269189) 142</i>
<i>Model 642-2 Mechanical 72</i>	<i>Model 695-2 Mechanical (SWS #M2275455/P2269189) .. 144</i>
<i>Model 642-2 Sealed System 74</i>	<i>Model 695-2 Sld System (SWS #M2275455/P2269189) .. 146</i>
	<i>Icemaker..... 148</i>



Built-In (600-2) Series

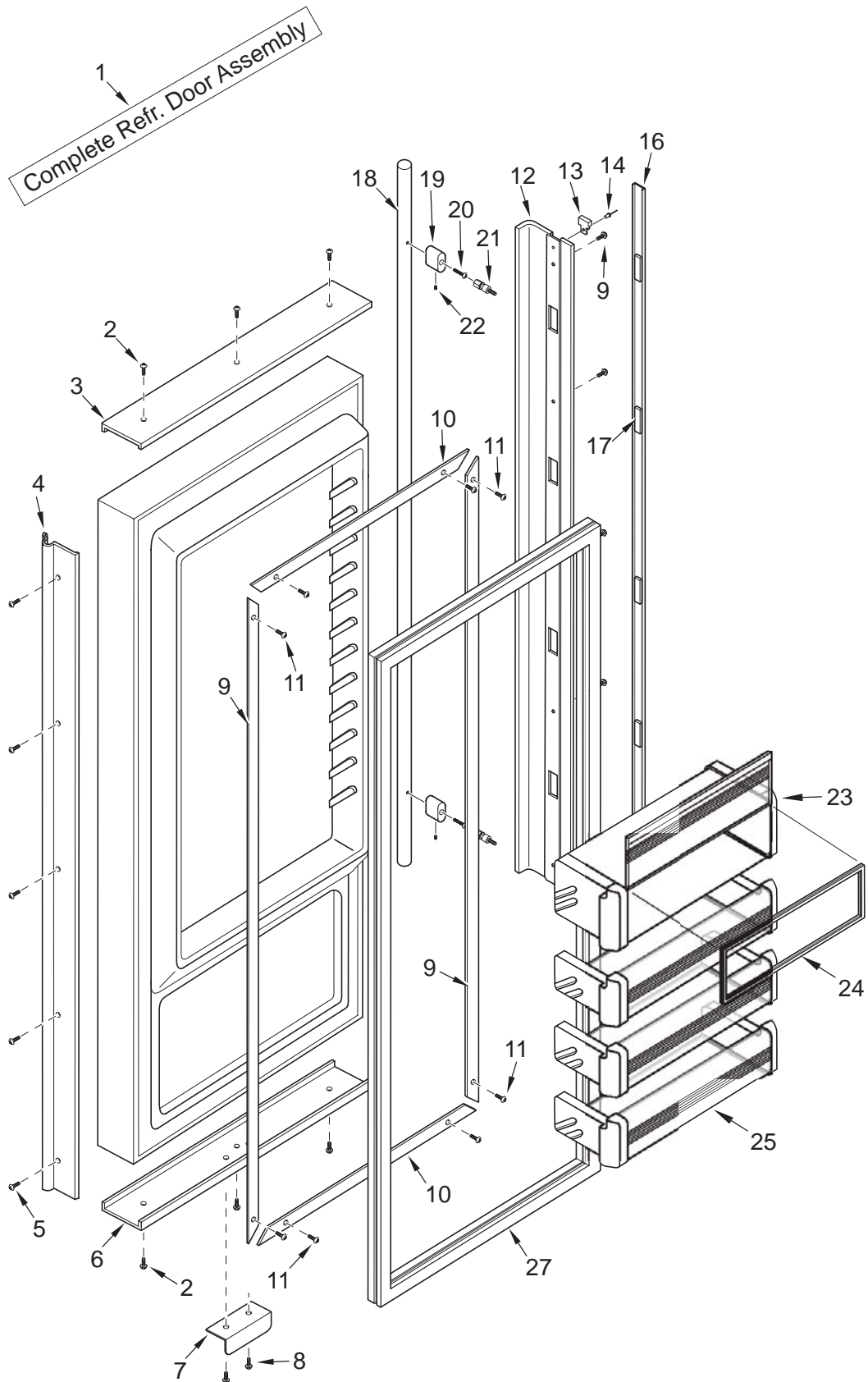
Part Lists & Exploded Views

601R-2 DOOR PARTS LIST

<u>Ref #</u>	<u>Part #</u>	<u>Description</u>
1	4134353	Refrig. Door Assy, Frame/Overlay - RH
	4134354	Refrig. Door Assy, Frame/Overlay - LH
	4134503	Refrig. Door Assy, SS - RH
	4134504	Refrig. Door Assy, SS - LH
	4135663	Door Assy, SRVC, 601R-RH, B
	4135664	Door Assy, SRVC, 601R-LH, B
	4135863	Door Assy, SRVC, 601R-RH, P
	4135864	Door Assy, SRVC, 601R-LH, P
NOTE: Door Assy's do NOT incl. hinges, handle or switch depressor.		
2	6200720	Screw, #8-18 x 1/2 Ph Truss Hd
	6200721	Screw, #8-18X1/2 Ph Low Prfl, B
3	2230608	Door Trim, Top LH
	2230609	Door Trim, Top RH
4	3511310	Door Trim, Hinge Side - Mitered Corner
	3511410	Door Trim, Hinge Side - (SS Model)
	3512221	Trim, Door Hinge Side-Carbon
	3512222	Trim, Door Hinge Side-Platinum
5	6200720	Screw, #8-18 x 1/2 Ph Truss Hd
6	2230606	Door Trim, Bottom LH
	2230607	Door Trim, Bottom RH
7	0185180	Depressor, Door Switch-Silver
	3421990	Depressor, Switch (Black)
8	6201300	Tapping Screw, #8 x 1/2
9	3420250	Gasket Retainer, Side, 57.875
10	3420220	Gasket Retainer, 33.312"
11	6200410	Screw, #8 x 1/2 Slot Head Hex
	4132230	Door Handle Assy (Framed)
12	4132330	Handle-side Door Trim (Overlay)
	3413340	Handle/Trim End Cap
13	3413340	Handle/Trim End Cap
14	6180160	Rivet, Open End Blind, 1/8 X 3/16
15	6201300	Tapping Screw, #8 x 1/2
16	4132370	Handle/Trim Molding Assy
17	3451140	Magnet, Trim Strip - 3"
18	4133690	Handle Assy, SS OBR Standoffs (Incl. Stand-offs)
	4133691	Handle Assy, OBR Standoff, B (Incl. Stand-offs)
	4133692	Handle Assy, OBR Standoff, P (Incl. Stand-offs)
19	3512150	Standoff, SS Oval, Door
	3512151	Standoff,Oval,B
	3512152	Standoff,Oval,P
20	6110540	Bolt, #10-24 x 1/2 Flat Socket HD
21	3511520	Handle Mounting Stud
22	6110730	Set Screw #10-32 x 1/4 SS Cone
23	4330490	Dairy Compartment Assy (Incl Gasket)
24	3211820	Dairy Compartment Gasket
25	4330480	Door Shelf Assy
26	4330530	Gallon Door Shelf Assy (Sales Acc.)
27	3212100	Door Gasket



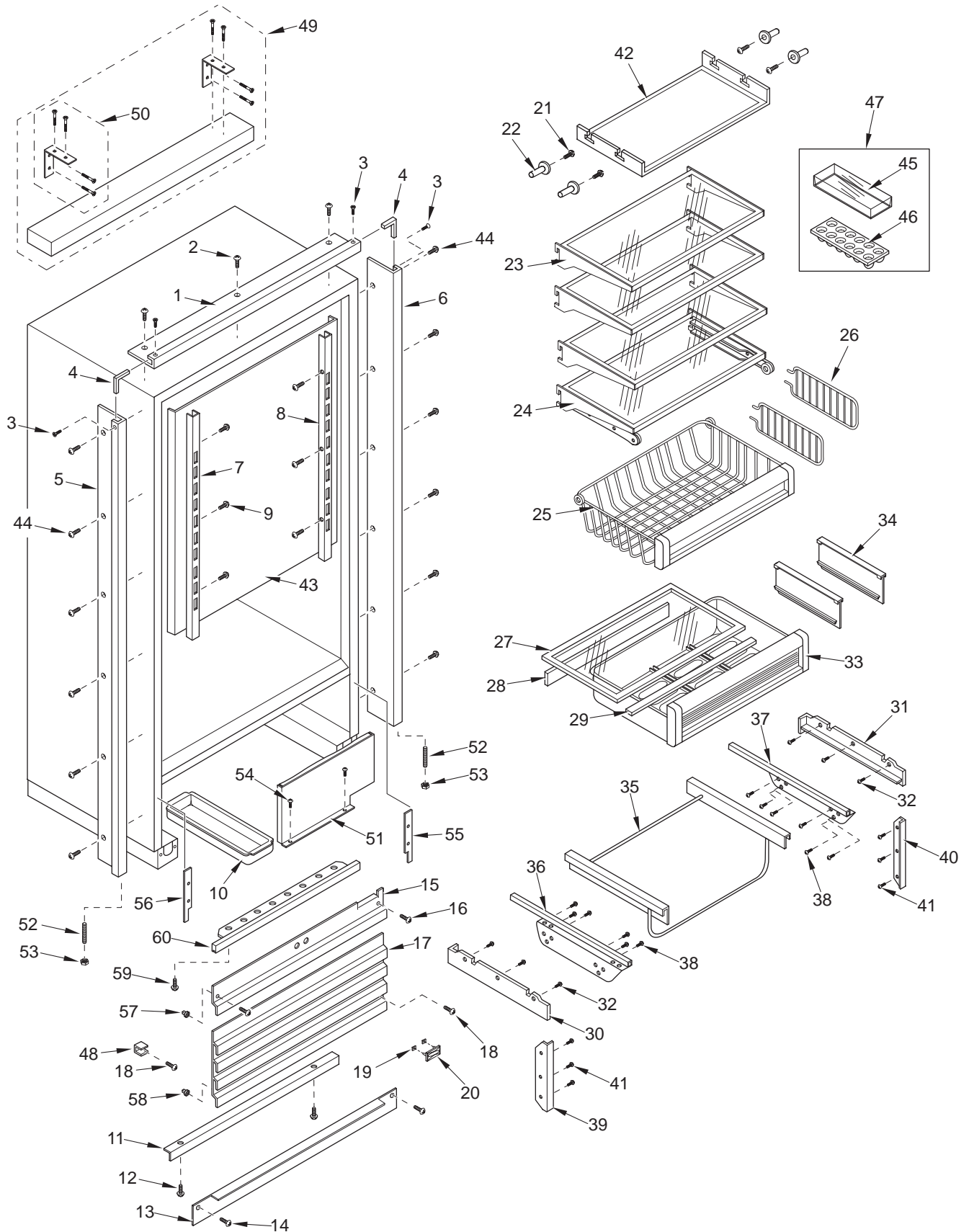
601R-2 DOOR VIEW



601R-2 COSMETIC PARTS LIST

Ref #	Part #	Description	Ref #	Part #	Description
1	2234015	Frame, Main Top-RH	19	6150140	Spring Grip Nut, 1/8
	3517013	Frame, Main Top 36-RH,B	20	3580210	Name Plate, Stick-on (See SN Breaks)
	3517038	Frame, Main Top 36-RH,P		3580211	Nameplate, B, P (See SN Breaks)
	2234016	Frame, Main Top-LH		3580230	Name Plate w/ Pegs (See SN Breaks)
	3517014	Frame, Main Top 36-LH,B		3580270	Logo, Stainless 3 1/2" (Stick-on)
	3517039	Frame, Main Top 36-LH,P		3580280	Logo, Framed 3 1/2" (w/ Pegs)
2	6200010	Screw, #10-12 x 3/4 Pan HD		3580290	Logo, Carbon 3 1/2", (Stick-on)
3	6200070	Screw, #4-24 x 3/8" Flat HD.	21	6201330	Screw, #8 PH-Pan Head 1"
	6200071	Screw, #4-24X3/8 Flat Hd, B	22	3520420	Insert / Diffuser Stand-off
4	2210701	Main Frame Angle	23	3601901	Glass Shelf, Spill Proof
5	2234004	Frame, Main Left-RH	24	4181620	Refrig. Roll-out Shelf Assy
	3517004	Frame, Main Side Left-RH, B	25	4181520	Refrig. Roll-Out Basket Assy
	3517029	Frame, Main Side Left-RH, P	26	3411160	Refrig. Roll-Out Basket Divider
	2234005	Frame, Main Left-LH	27	4151750	Crisper Glass Assy (Incl. Seals)
	3517005	Frame,Main Side Left-LH,B	28	3211760	Crisper Glass Seal, Rear
	3517030	Frame,Main Side Left-LH, P	29	3211730	Crisper Glass Seal, Front
6	2234003	Frame,Main Right-RH	30	3421711	Top Crspr Glass Support, Narrow-RH
	3517003	Frame,Main Side Right-RH,B		3421722	Top Crisper glass Support, Wide-LH
	3517028	Frame,Main Side Right-RH, P	31	3421712	Top Crisper Glass Support, Narrow-LH
	2234006	Frame,Main Side-LH		3421721	Top Crisper Glass Support, Wide-RH
	3517006	Frame, Main Side Right-LH, B	32	6201130	Screw, #8x 1/2 Ph FI Hd SS
	3517031	Frame, Main Side Right-LH, P	33	4181440	High Humidity Drawer Assy
7	3601832	Shelf Ladder, Left	34	3413100	Drawer Divider
8	3601831	Shelf Ladder, Right	35	3421770	Humidity Drawer Slide-Frame
9	6200710	Screw, #8-18 x 3/8 Fillister HD	36	4181412	Top Crisper Slide Assy, Wide-LH
10	0166110	Drain Pan		4181421	Top Crisper Slide Assy, Narrow-RH
11	0169790	Front Rail	37	4181411	Top Crisper Slide Assembly, Wide-RH
12	6110020	Bolt, #10-24 x 3/8 Truss HD		4181422	Top Crisper Slide Assy, Narrow-LH
13	0169520	Kickplate	38	6201270	Screw, #8-18 x 5/8 Ph Pn SS-Gnd
	0167820	Kickplate, Stainless Steel	39	3421741	Crisper Filler Strip, Narrow (if RH)
	0167821	Kickplate,Solid 36",B		3421742	Crisper Filler Strip, Wide (if LH)
	0167822	Kickplate,Solid 36",P	40	3421741	Crisper Filler Strip, Narrow (if LH)
14	6200050	Screw, #10-12 Pan Hd		3421742	Crisper Filler Strip, Wide (if RH)
	6200720	Screw, #8-18x1/2 Ph Tr Hd (SS Model)	41	6201270	Screw, #8-18 x 5/8 Ph Pn SS-Gnd
15	2233901	Upper Grille - RH (Framed / Overlay)	42	4161870	Refrig. Light Diffuser Assy
	0261281	Cover, Grille RH (SS)	43	0201240	Evaporator Cover
	3517101	Upper Grille - RH,B	44	6201550	Screw, #8-18 Lw Prfl
	3517103	Upper Grille - RH,P	45	3412280	Egg Tray Cover
	2233902	Upper Grille - LH (Framed / Overlay)	46	3412270	Egg Tray
	0261282	Cover, Grille LH (SS)	47	4131810	Egg Tray with Cover
	3517102	Upper Grille - LH,B	48	3450910	Clip, Grille
	3517104	Upper Grille - LH,P	49	4201320	Blocking Components, 36"
16	6200720	Screw, #8-18 x 1/2 PH Truss HD	50	4201340	Blocking Hardware Package
	6201510	Screw, #8-18 X 3/4 PH Truss HD	51	4281060	Shroud Assy, Comp
17	4242250	Lwr Grille Section (Framed / Overlay)	52	3550190	Bottom Hinge Stud
	4242380	Grille Assy, SS	53	6150200	Nut, 1/4-20 Hex
	3530581	Grille,Louver Section,B	54	6201270	Screw, #8-18 x 5/8" PH PN SS-Gnd
	3530582	Grille,Louver Section,P	55	3530881	Grille, Spacer RH
18	6200790	Screw, #8-18 X 1/2" Black	56	3530882	Grille, Spacer LH
	6201460	Screw, #8-18 X 3/4 A Fil Black	57	6220320	Screw Grmt
			58	6220050	Screw Grmt,1/2X5/8
			59	6201550	Screw, #8-1/8 Low Profile
			60	3516670	Trim, Grille Cover (SS)

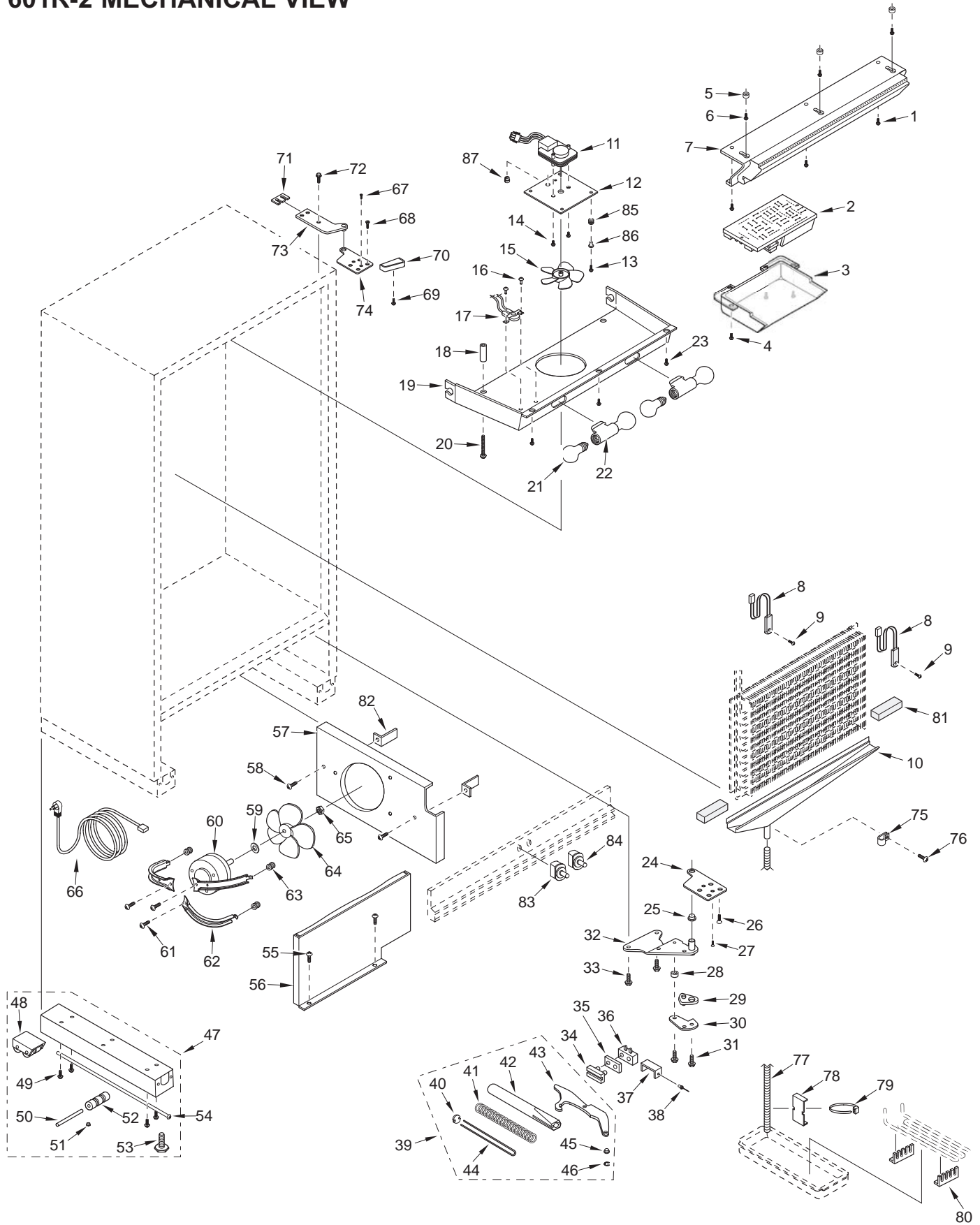
601R-2 COSMETIC VIEW



601R-2 MECHANICAL PARTS LIST

Ref #	Part #	Description	Ref #	Part #	Description
1	6201270	Screw, #8-18 x 5/8" PH PN SS-Gnd	43	NA	See 4201113 & 4201117
2	4203790	Control Board	44	3421290	Door Closer Linkage
3	4152050	Cover Assy, Control	45	3421260	Door Closer Bearing
4	6201270	Screw, #8-18 x 5/8" PH PN SS-Gnd		3421261	Bearing, Door Closer, B
5	6160240	Nylon Spacer	46	3450550	E-Ring / Klipping , 5/16"
6	6200720	Screw, #8-18 x 1/2 PH Truss HD	47	4110353	Base Assy (w/rollers)
7	4161662	Control Panel Assy	48	4110331	Base Rear Roller Assy
8	4204150	Thermistor, ASM Srvc Pkg	49	6200010	Screw, #10-12 x 3/4" Pan HD
9	6201270	Screw, #8-18 x 5/8" PH PN SS-Gnd	50	3550560	Straight Pin, Base Assy - .312" x 2.88"
10	0260540	Drain Trough Assy	51	3450620	Canoe Clip
11	4200170	Ref Fan Motor Pkg. (blade not incl.)	52	3421240	Cabinet Roller
12	0211620	Refrigerator Fan Bracket	53	3570050	Leveling Leg, #18-3/8 x 1"
13	6200130	Screw, #8-18 x 3/4" Truss HD	54	6110580	Adjusting Screw
14	6110270	Bolt, #10-32 x 1/4" RD HDDS90	55	6201270	Screw, #8-18 x 5/8" PH PN SS-Gnd
15	3150640	Fan Blade, Evaporator	56	4281060	Shroud Assy, Comp
16	6180010	Pop Rivet, 1/8"	57	0262110	Shroud, Cond Fan
17	3082140	Light Terminator	58	6200010	Screw, #10-12 x 3/4" Pan HD
18	6220540	Screw Grommet/Stand-off, 1.375	59	3210340	Neoprene Silencer, 7/8"
19	4161820	Refrig. Fan Shroud Assembly	60	4200740	Motor Pkg, Cond Fan (blade not incl.)
20	6201010	Screw, #8-15 x 2" Pan Head	61	6200430	Screw, #8-18x1/2 Ph Pan Hd
21	3030030	Light Bulb, 40 Watt	62	0261150	Brkt, Cond Mounting (3)
22	3050250	Skt, Light MBase Dbl	63	3220360	Grommet, Mounting Bracket
23	6201270	Screw, #8-18 x 5/8" PH PN SS-Gnd	64	3150800	Blade, Condenser Forward-SW
24	4151241	Door Hinge, Bottom RH	65	6150410	Nut, 1/4-20
	4151243	Hinge Assy, Bot Door-RH, B	66	3025560	Cord Assy, Power Supply
	4151242	Door Hinge, Bottom LH	67	6200390	Screw, #6 x 3/8" T25 Flat Head PH
	4151244	Hinge Assy, Bot Door-LH, B	68	6110540	Bolt, #10-24 x 1/2" Flat Socket HD
25	3421270	Hinge Bearing, 3/8" x 5/8"	69	6200140	Screw, #8-15 x 3/8" Truss HD
	3421271	Bearing, Door, B	70	3541017	Top Cabinet Hinge Cover, RH
26	6110540	Bolt, #10-24 x 1/2" Flat Socket HD		3541211	Cover, Top Cabinet Hinge-RH, B
27	6200390	Screw, #6 x 3/8" T25 Flat Head PH		3541213	Cover, Top Cabinet Hinge-RH, P
28	6160220	Steel Spacer		3541018	Top Cabinet Hinge Cover, LH
	6160221	Spacer, Steel 13SP094, B		3541212	Cover, Top Cabinet Hinge-LH, B
29	DS90	Door Stop-90 Degree (Sales Acc.)		3541214	Cover, Top Cabinet Hinge-LH, P
	DS90/B	Stop,Door Kit 90 Degree, B (Sales Acc.)	71	0168680	Shim - Hinge
	DS105	Door Stop-105 Degree (Sales Acc.)	72	6110070	Bolt, 1/4-20 x 3/4" Spinlock Zinc
	DS105/B	Stop,Door Kit 105 Degree, B (Sales Acc.)	73	4151271	Cabinet Hinge Assy, Upper RH
30	0183960	Cabinet Hinge Stiffener		4151273	Hinge Assy, Upr Cab-RH, B
	0183961	Cabinet Hinge Stiffener, B		4151272	Cabinet Hinge Assy, Upper LH
31	6110450	Bolt, 1/4-20 x 1/2" Whiz Lock		4151274	Hinge Assy, Upr Cab-LH, B
	6110451	Bolt, 1/4-20 X 9/16 Whiz Lock, B	74	4151471	Door Hinge Assy, Top RH
32	4151871	Bottom cabinet Hinge Assembly - RH		4151472	Door Hinge Assy, Top LH
	4151873	Hinge Assy,Bot Cabnt-RH,B	75	6120050	Tube Clamp, Plastic, 5/8"
	4151872	Bottom Cabinet Hinge Assembly - LH	76	6200120	Screw, #10-12 x 1/2" Truss HD
	4151874	Hinge Assy,Bot Cabnt-LH,B	77	1601400	Drain Tube, Wire - 1/2" x 72"
33	6110070	Bolt, 1/4-20 x 3/4" Spinlock Zinc	78	0261160	Bracket, Drain Tube
34	3421310	Door Closer Guide	79	6120170	Locking Cable Tie, Red, 11-1/2"
35	0165970	Door Closer Guide Support	80	3421430	Pan Heater Support
36	3450570	Door Closer Cushion	81	6231490	Tape, Foam XLPE
37	0166360	Door Closer Cushion Retainer	82	3450290	Angle Bracket
38	6180010	Pop Rivet, 1/8"	83	3060030	Light Switch, N/C (White)
39	4201113	Door Closer Assembly, RH/LH		3060031	Switch, Plunger N.C. Black
	4201117	Door Closer Assy, SNG,B (RH & LH)	84	3060020	Fan Switch, N/O (White)
40	0165980	Door Closer Spring Retainer		3060021	Switch, Plunger N.O. Black
41	3450530	Door Closer Spring	85	3220250	Grommet, Rubber-M5351
	3450710	Low Pull Spring	86	3520410	Brass Insert, Fan
42	NA	See 4201113 & 4201117	87	3220300	Bushing, Strain Relief RT Angle

601R-2 MECHANICAL VIEW

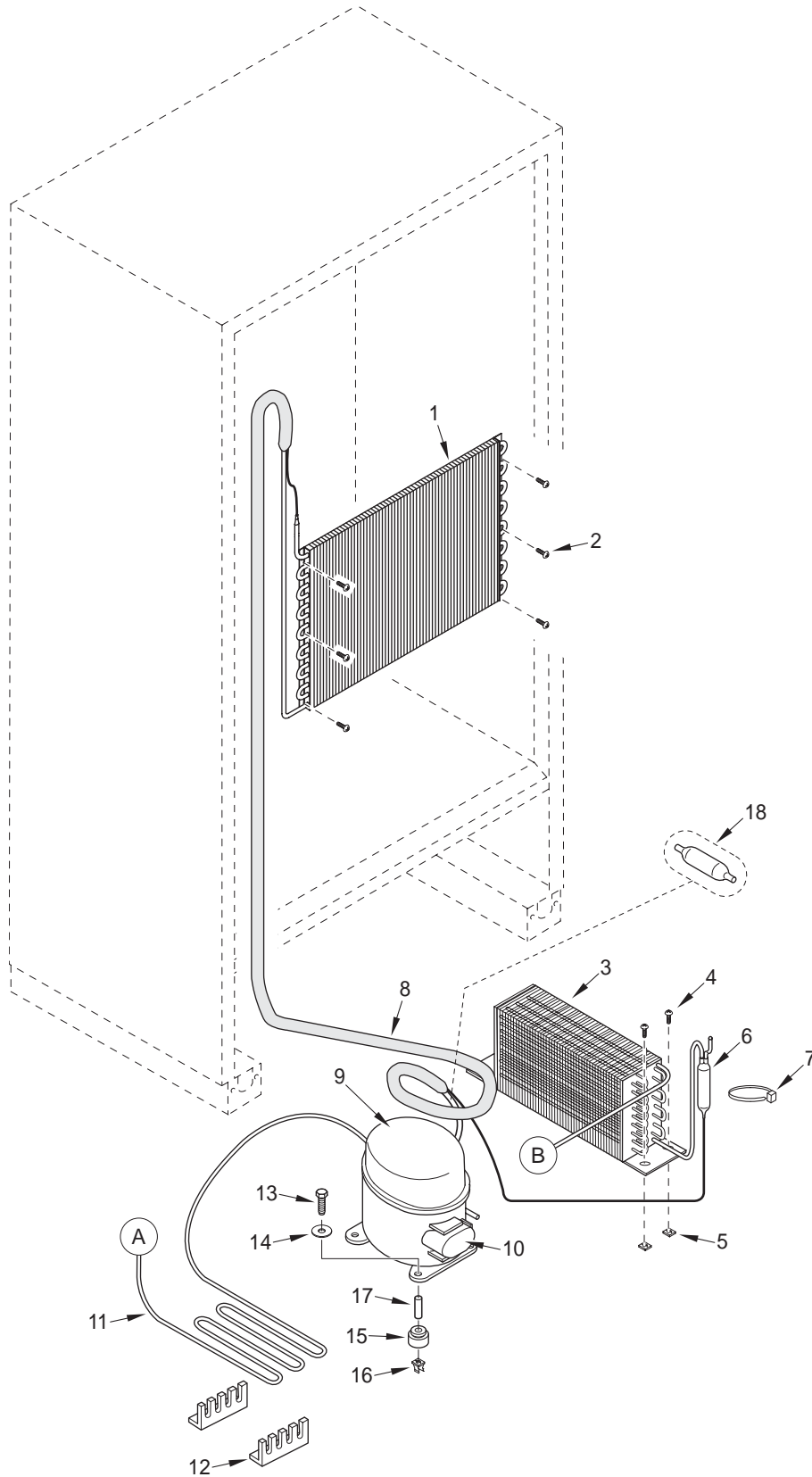


601R-2 SEALED SYSTEM PARTS LIST

<u>Ref #</u>	<u>Part #</u>	<u>Description</u>
1	3130610	Evaporator, Ref
2	6201270	Screw, #8-18 x 5/8" PH PN SS-Gnd
3	3120320	Condenser
4	6110020	Bolt, #10-24 x 3/8" Truss HD
5	6150080	Nut-Flat, #10-24
6	3014230	Filter-Drier, High Side
7	6120170	Locking Cable Tie, Red, 11-1/2"
8	4251310	Heat Exchanger
9	4201880	Compressor, Refrig. (EMI30HER)
10	3111370	Relay (1351400)
	3111410	Overload (4TM734LFB)
11	2600196	Drain Pan Heater Loop
12	3421430	Support, Pan Heater
13	6200300	Screw, 5/16-18 x 1-1/2" Hex
14	6240050	Flat Washer, 5/16"
15	3150170	Rubber Grommet, Large, 15/16"
16	1801000	Nylon Compressor Mount, 7/16"
17	6160070	Sleeve, 5/16 x 7/16 x 7/8"
18	3014100	Suction Line Drier (Service Only)



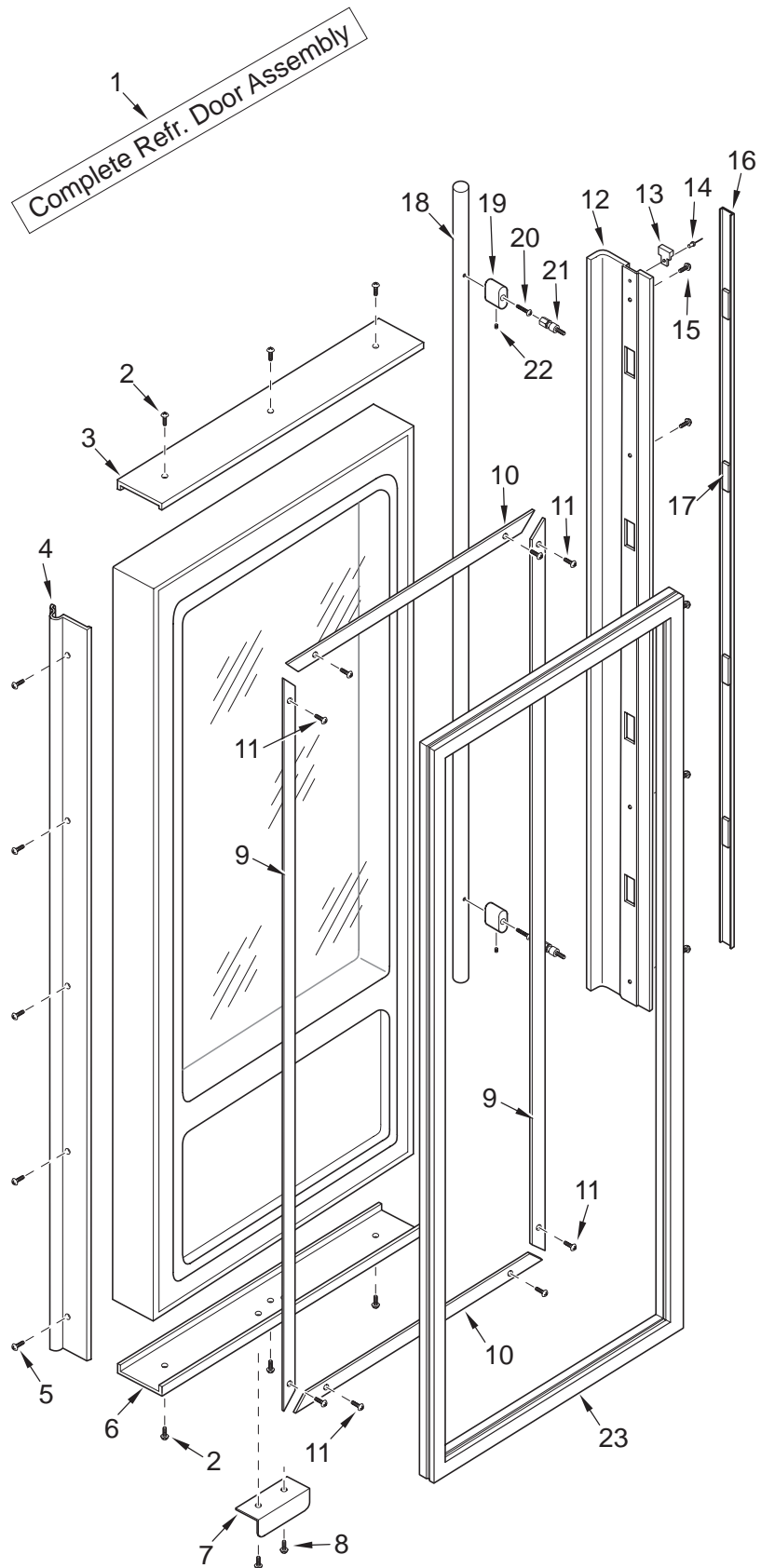
601R-2 SEALED SYSTEM VIEW



601RG-2 DOOR PARTS LIST

Ref #	Part #	Description
1	4134615	Refrig. Door Assy, Frame/Overlay - RH
	4134616	Refrig. Door Assy, Frame/Overlay - LH
	4134617	Refrig. Door Assy, Frame/Overlay (HAG) - RH
	4134618	Refrig. Door Assy, Frame/Overlay (HAG) - LH
	4134635	Refrig. Door Assy, SS - RH
	4134636	Refrig. Door Assy, SS - LH
	4134637	Refrig. Door Assy, SS (HAG) - RH
	4134638	Refrig. Door Assy, SS (HAG) - LH
	4135683	Door Assy, SRVC, 601RG-RH, B
	4135684	Door Assy, SRVC, 601RG-LH, B
	4135693	Door Assy, SRVC, 601RHAG-RH, B
	4135694	Door Assy, SRVC, 601RHAG-LH, B
	4135883	Door Assy, SRVC, 601RG-RH, P
	4135884	Door Assy, SRVC, 601RG-LH, P
	4135893	Door Assy, SRVC, 601RHAG-RH, P
	4135894	Door Assy, SRVC, 601RHAG-LH, P
NOTE: Door Assy's incl. Wire Harness/Top Hinge Assy, do NOT incl. bot hinge, handle or switch depressor..		
2	6200720	Screw, #8-18 x 1/2 Ph Truss Hd
	6200721	Screw, #8-18X1/2 Ph Low Prfl, B
3	2230608	Door Trim, Top LH
	2230609	Door Trim, Top RH
4	3511310	Door Trim, Hinge Side - Mitered Corner
	3511410	Door Trim, Hinge Side - (SS Model)
	3512221	Trim, Door Hinge Side-Carbon
	3512222	Trim, Door Hinge Side-Platinum
5	6200720	Screw, #8-18 x 1/2 Ph Truss Hd
6	2230606	Door Trim, Bottom LH
	2230607	Door Trim, Bottom RH
7	0185180	Depressor, Door Switch-Silver
	3421990	Depressor, Switch (Black)
8	6201300	Tapping Screw, #8 x 1/2
9	3420250	Gasket Retainer, Side, 57.875
10	3420220	Gasket Retainer, 33.312"
11	6200410	Screw, #8 x 1/2 Slot Head Hex
12	4132230	Door Handle Assy (Framed)
	4132330	Handle-side Door Trim (Overlay)
13	3413340	Handle/Trim End Cap
14	6180160	Rivet, Open End Blind, 1/8 X 3/16
15	6201300	Tapping Screw, #8 x 1/2
16	4132370	Handle/Trim Molding Assy
17	3451140	Magnet, Trim Strip - 3"
18	4133690	Handle Assy, SS OBR Standoffs (Incl. Stand-offs)
	4133691	Handle Assy, OBR Standoff, B (Incl. Stand-offs)
	4133692	Handle Assy, OBR Standoff, P (Incl. Stand-offs)
19	3512150	Standoff, SS Oval, Door
	3512151	Standoff,Oval,B
	3512152	Standoff,Oval,P
20	6110540	Bolt, #10-24 x 1/2 Flat Socket HD
21	3511520	Handle Mounting Stud
22	6110730	Set Screw #10-32 x 1/4 SS Cone
23	3212100	Door Gasket

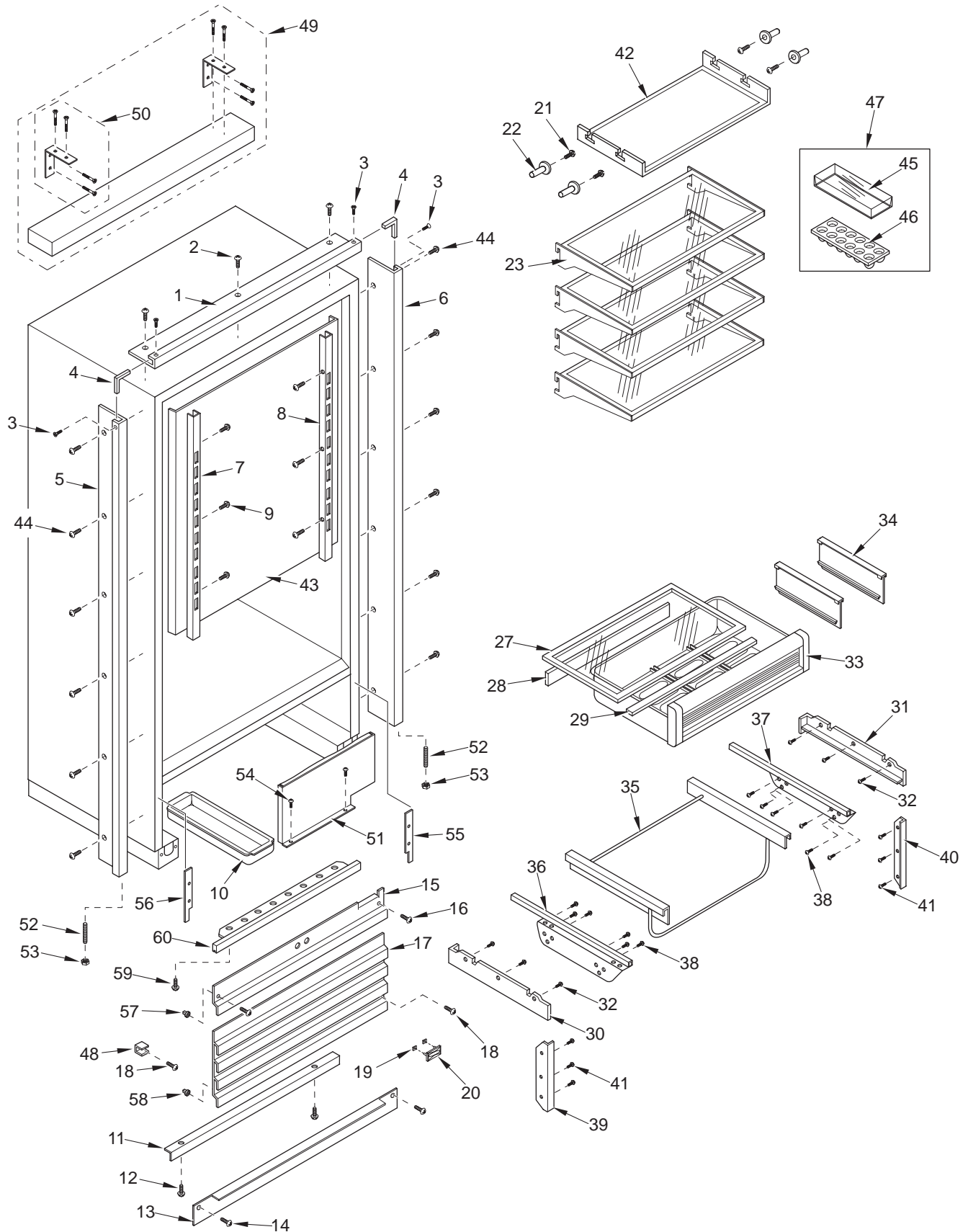
601RG-2 DOOR VIEW



601RG-2 COSMETIC PARTS LIST

Ref #	Part #	Description	Ref #	Part #	Description
1	2234001	Frame, Main Top 36 - RH	20	3580210	Name Plate, Stick-on (See SN Breaks)
	3517001	Frame, Main Top 36-RH,B		3580211	Nameplate, B, P (See SN Breaks)
	3517026	Frame, Main Top 36-RH,P		3580230	Name Plate w/ Pegs (See SN Breaks)
	2234002	Frame, Main Top 36 - LH		3580270	Logo, Stainless 3 1/2" (Stick-on)
	3517002	Frame, Main Top 36-LH,B		3580280	Logo, Framed 3 1/2" (w/ Pegs)
	3517027	Frame, Main Top 36-LH,P		3580290	Logo, Carbon 3 1/2", (Stick-on)
2	6200010	Screw, #10-12 x 3/4 Pan HD	21	6201330	Screw, #8 PH-Pan Head 1"
3	6200070	Screw, #4-24 x 3/8" Flat HD.	22	3520420	Insert / Diffuser Stand-off
	6200071	Screw, #4-24X3/8 Flat Hd, B	23	3602310	Glass Shelf, Spill Proof
4	2210701	Main Frame Angle	24	NA	
5	2234004	Frame, Main Left-RH	25	NA	
	3517004	Frame, Main Side Left-RH, B	26	NA	
	3517029	Frame, Main Side Left-RH, P	27	4151750	Crisper Glass Assy (Incl. Seals)
	2234005	Frame, Main Left-LH	28	3211760	Crisper Glass Seal, Rear
	3517005	Frame,Main Side Left-LH,B	29	3211730	Crisper Glass Seal, Front
	3517030	Frame,Main Side Left-LH, P	30	3421711	Top Crspr Glass Support, Narrow-RH
6	2234003	Frame,Main Right-RH		3421722	Top Crisper glass Support, Wide-LH
	3517003	Frame,Main Side Right-RH,B	31	3421712	Top Crisper Glass Support, Narrow-LH
	3517028	Frame,Main Side Right-RH, P		3421721	Top Crisper Glass Support, Wide-RH
	2234006	Frame,Main Side-LH	32	6201130	Screw, #8x 1/2 Ph FI Hd SS
	3517006	Frame, Main Side Right-LH, B	33	4181440	High Humidity Drawer Assy
	3517031	Frame, Main Side Right-LH, P	34	3413100	Drawer Divider
7	3601832	Shelf Ladder, Left	35	3421770	Humidity Drawer Slide-Frame
8	3601831	Shelf Ladder, Right	36	4181412	Top Crisper Slide Assy, Wide-LH
9	6200710	Screw, #8-18 x 3/8 Fillister HD		4181421	Top Crisper Slide Assy, Narrow-RH
10	0166110	Drain Pan	37	4181411	Top Crisper Slide Assembly, Wide-RH
11	0169790	Front Rail		4181422	Top Crisper Slide Assy, Narrow-LH
12	6110020	Bolt, #10-24 x 3/8 Truss HD	38	6201270	Screw, #8-18 x 5/8 Ph Pn SS-Gnd
13	0169520	Kickplate	39	3421741	Crisper Filler Strip, Narrow (if RH)
	0167820	Kickplate, Stainless Steel		3421742	Crisper Filler Strip, Wide (if LH)
	0167821	Kickplate,Solid 36",B	40	3421741	Crisper Filler Strip, Narrow (if LH)
	0167822	Kickplate,Solid 36",P		3421742	Crisper Filler Strip, Wide (if RH)
14	6200050	Screw, #10-12 Pan Hd	41	6201270	Screw, #8-18 x 5/8 Ph Pn SS-Gnd
	6200720	Screw, #8-18x1/2 Ph Tr Hd (SS Model)	42	4161870	Refrig. Light Diffuser Assy
15	2233901	Upper Grille - RH (Framed / Overlay)	43	0201240	Evaporator Cover
	0261281	Cover, Grille RH (SS)	44	6201550	Screw, #8-18 Lw Prfl
	3517101	Upper Grille - RH,B	45	3412280	Egg Tray Cover
	3517103	Upper Grille - RH,P	46	3412270	Egg Tray
	2233902	Upper Grille - LH (Framed / Overlay)	47	4131810	Egg Tray with Cover
	0261282	Cover, Grille LH (SS)	48	3450910	Clip, Grille
	3517102	Upper Grille - LH,B	49	4201320	Blocking Components, 36"
	3517104	Upper Grille - LH,P	50	4201340	Blocking Hardware Package
16	6200720	Screw, #8-18 x 1/2 PH Truss HD	51	4281060	Shroud Assy, Comp
	6201510	Screw, #8-18 X 3/4 PH Truss HD	52	3550190	Bottom Hinge Stud
17	4242250	Lwr Grille Section (Framed / Overlay)	53	6150200	Nut, 1/4-20 Hex
	4242380	Grille Assy, SS	54	6201270	Screw, #8-18 x 5/8" PH PN SS-Gnd
	3530581	Grille,Louver Section,B	55	3530881	Grille, Spacer RH
	3530582	Grille,Louver Section,P	56	3530882	Grille, Spacer LH
18	6200790	Screw, #8-18 X 1/2" Black	57	6220320	Screw Grmt
	6201460	Screw, #8-18 X 3/4 A Fil Black	58	6220050	Screw Grmt,1/2X5/8
19	6150140	Spring Grip Nut, 1/8	59	6201550	Screw, #8-1/8 Low Profile
			60	3516670	Trim, Grille Cover (SS)

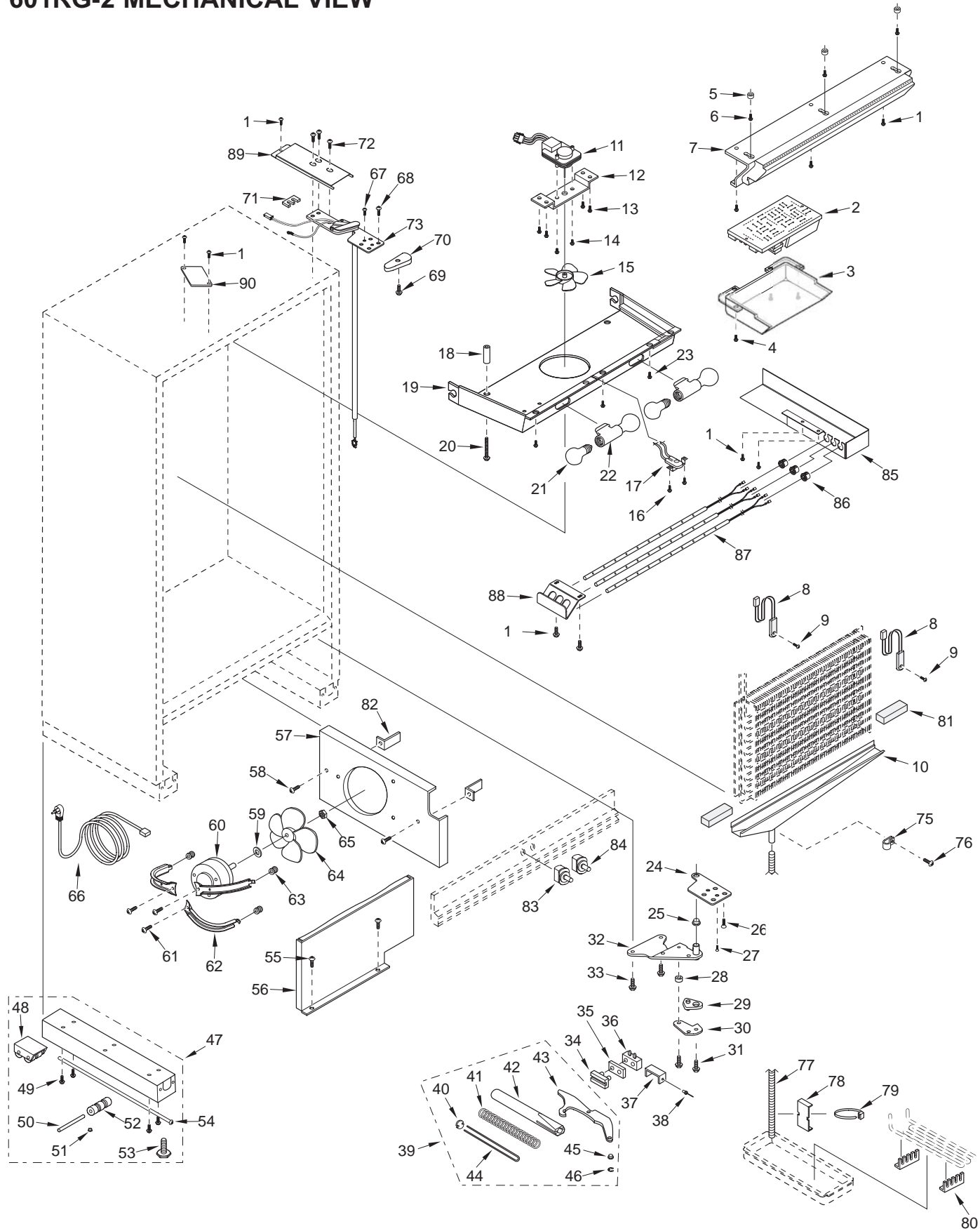
601RG-2 COSMETIC VIEW



601RG-2 MECHANICAL PARTS LIST

Ref #	Part #	Description	Ref #	Part #	Description
1	6201270	Screw, #8-18 x 5/8" PH PN SS-Gnd	44	3421290	Door Closer Linkage
2	4203790	Control Board	45	3421260	Door Closer Bearing
3	4152050	Cover Assy, Control		3421261	Bearing, Door Closer, B
4	6201270	Screw, #8-18 x 5/8" PH PN SS-Gnd	46	3450550	E-Ring / Klipping , 5/16"
5	6160240	Nylon Spacer	47	4110353	Base Assy (w/rollers)
6	6200720	Screw, #8-18 x 1/2 PH Truss HD	48	4110331	Base Rear Roller Assy
7	4162652	Control Panel Assy	49	6200010	Screw, #10-12 x 3/4" Pan HD
8	4204150	Thermistor, ASM Srvc Pkg	50	3550560	Straight Pin, Base Assy - .312" x 2.88"
9	6201270	Screw, #8-18 x 5/8" PH PN SS-Gnd	51	3450620	Canoe Clip
10	0260540	Drain Trough Assy	52	3421240	Cabinet Roller
11	4200170	Ref Fan Motor Pkg. (blade not incl.)	53	3570050	Leveling Leg, #18-3/8 x 1"
12	0212520	Bracket, Fan (Production)	54	6110580	Adjusting Screw
	0212540	Bracket, Fan (In Srvc Pckg, 4200170)	55	6201270	Screw, #8-18 x 5/8" PH PN SS-Gnd
13	6201270	Screw, #8-18 x 5/8" PH PN SS-Gnd	56	4281060	Shroud Assy, Comp
14	6110270	Bolt, #10-32 x 1/4" RD HDDS90	57	0262110	Shroud, Cond Fan
15	3150640	Fan Blade, Evaporator	58	6200010	Screw, #10-12 x 3/4" Pan HD
16	6180010	Pop Rivet, 1/8"	59	3210340	Neoprene Silencer, 7/8"
17	3082140	Light Terminator	60	4200740	Motor Pkg, Cond Fan (blade not incl.)
18	6220540	Screw Grommet/Stand-off, 1.375	61	6200430	Screw,#8-18x1/2 Ph Pan Hd
19	4162660	Shroud Ass y, Ref Fan	62	0261150	Brkt, Cond Mounting (3)
20	6201010	Screw, #8-15 x 2" Pan Head	63	3220360	Grommet, Mounting Bracket
21	3030030	Light Bulb, 40 Watt	64	3150800	Blade, Condenser Forward-SW
22	3050250	Skt, Light MBase Dbl	65	6150410	Nut, 1/4-20
23	6201270	Screw, #8-18 x 5/8" PH PN SS-Gnd	66	3025560	Cord Assy, Power Supply
24	4151241	Door Hinge, Bottom RH	67	6200390	Screw, #6 x 3/8" T25 Flat Head PH
	4151243	Hinge Assy, Bot Door-RH, B	68	6110540	Bolt, #10-24 x 1/2" Flat Socket HD
	4151242	Door Hinge, Bottom LH	69	6200140	Screw, #8-15 x 3/8" Truss HD
	4151244	Hinge Assy, Bot Door-LH, B	70	3541017	Top Cabinet Hinge Cover, RH
25	3421270	Hinge Bearing, 3/8" x 5/8"		3541211	Cover, Top Cabinet Hinge-RH, B
	3421271	Bearing, Door, B		3541213	Cover, Top Cabinet Hinge-RH, P
26	6110540	Bolt, #10-24 x 1/2" Flat Socket HD		3541018	Top Cabinet Hinge Cover, LH
27	6200390	Screw, #6 x 3/8" T25 Flat Head PH		3541212	Cover, Top Cabinet Hinge-LH, B
28	6160220	Steel Spacer		3541214	Cover, Top Cabinet Hinge-LH, P
	6160221	Spacer, Steel 13SP094, B	71	0168680	Shim - Hinge
29	DS90	Door Stop-90 Degree (Sales Acc.)	72	6110070	Bolt, 1/4-20 x 3/4" Spinlock Zinc
	DS90/B	Stop,Door Kit 90 Degree, B (Sales Acc.)	73	4325461	Wire Harness/Hinge Assy, Door RH
	DS105	Door Stop-105 Degree (Sales Acc.)		4325463	W/H,Door Hinge 601RG/B-RH
	DS105/B	Stop,Door Kit 105 Degree, B (Sales Acc.)		4325462	Wire Harness/Hinge Assy, Door LH
30	0183960	Cabinet Hinge Stiffener		4325464	W/H,Door Hinge 601RG/B-LH
	0183961	Cabinet Hinge Stiffener, B	74	NA	
31	6110450	Bolt, 1/4-20 x 1/2" Whiz Lock	75	6120050	Tube Clamp, Plastic, 5/8"
	6110451	Bolt, 1/4-20 X 9/16 Whiz Lock, B	76	6200120	Screw, #10-12 x 1/2" Truss HD
32	4151871	Bottom cabinet Hinge Assembly - RH	77	1601400	Drain Tube, Wire - 1/2" x 72"
	4151873	Hinge Assy,Bot Cabnt-RH,B	78	0261160	Bracket, Drain Tube
	4151872	Bottom Cabinet Hinge Assembly - LH	79	6120170	Locking Cable Tie, Red, 11-1/2"
	4151874	Hinge Assy,Bot Cabnt-LH,B	80	3421430	Pan Heater Support
33	6110070	Bolt, 1/4-20 x 3/4" Spinlock Zinc	81	6231490	Tape, Foam XLPE
34	3421310	Door Closer Guide	82	3450290	Angle Bracket
35	0165970	Door Closer Guide Support	83	3060030	Light Switch, N/C (White)
36	3450570	Door Closer Cushion		3060031	Switch, Plunger N.C. Black
37	0166360	Door Closer Cushion Retainer	84	3060020	Fan Switch, N/O (White)
38	6180010	Pop Rivet, 1/8"		3060021	Switch, Plunger N.O. Black
39	4201113	Door Closer Assembly, RH/LH	85	0212740	Light Box
	4201117	Door Closer Assy, SNG,B (RH & LH)	86	3220810	Grommet, Open/Closed 1/2"
40	0165980	Door Closer Spring Retainer	87	3030150	Strip, Light 15 Watt
41	3450530	Door Closer Spring	88	0261330	Bracket, Light
	3450710	Low Pull Spring	89	0185190	Cover, Hinge - LH
42	NA	See 4201113 & 4201117		0185210	Cover, Hinge - RH
43	NA	See 4201113 & 4201117	90	0261170	Plate, Cover

601RG-2 MECHANICAL VIEW

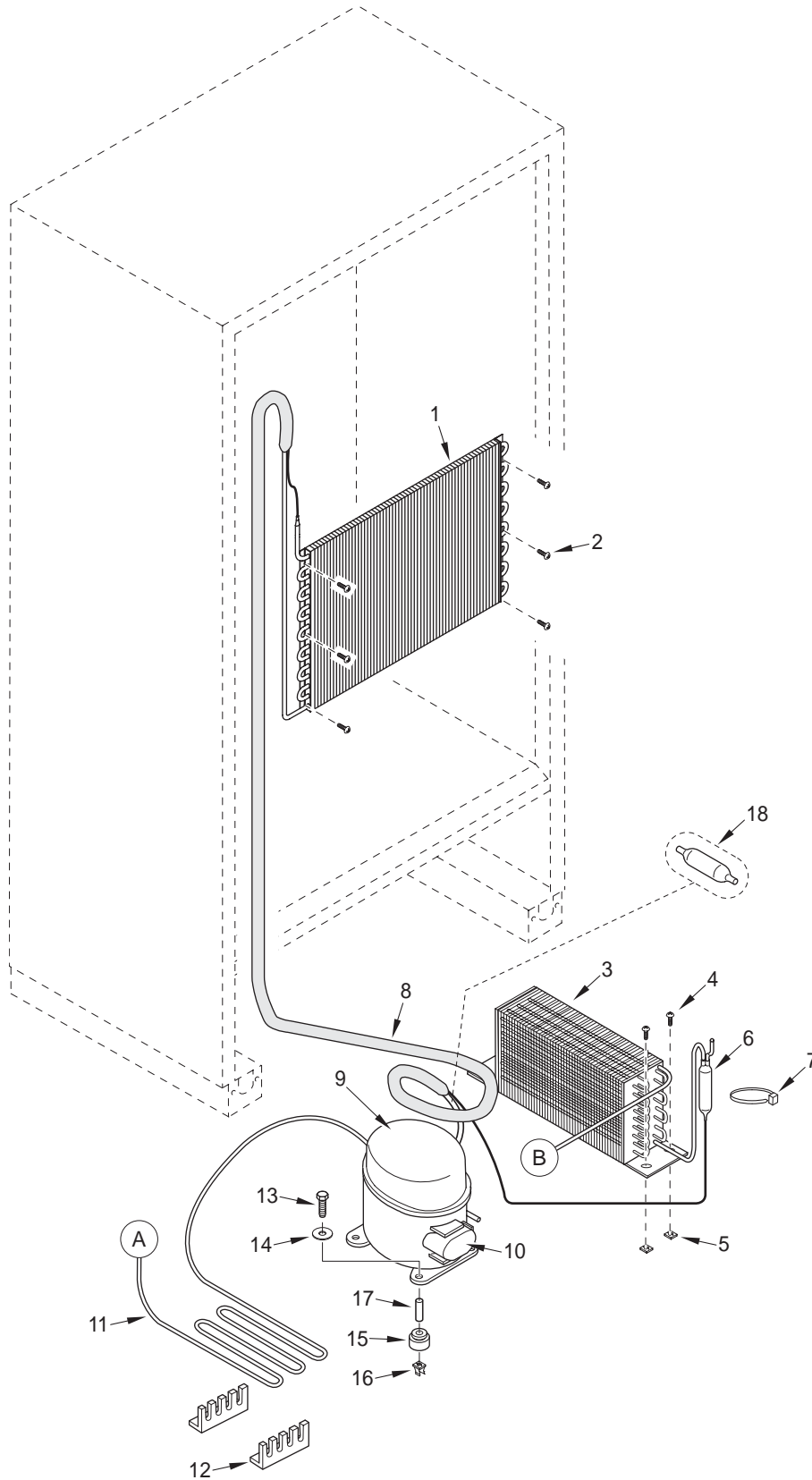


601RG-2 SEALED SYSTEM PARTS LIST

<u>Ref #</u>	<u>Part #</u>	<u>Description</u>
1	3130610	Evaporator, Ref
2	6201270	Screw, #8-18 x 5/8" PH PN SS-Gnd
3	3120320	Condenser
4	6110020	Bolt, #10-24 x 3/8" Truss HD
5	6150080	Nut-Flat, #10-24
6	3014230	Filter-Drier, High Side
7	6120170	Locking Cable Tie, Red, 11-1/2"
8	4251310	Heat Exchanger
9	4201880	Compressor, Refrig. (EMI30HER)
10	3111370	Relay, 1351400 (For EMI30HER Service Compressor)
	3111212	Relay, 8EA103 (For EMU30 Production Compressor)
	3111410	Overload, 4TM734LFB (For EMI30HER Service Compressor)
	3111310	Overload, 4TM197NFB (For EMU30 Production Compressor)
	3111070	Capacitor, 12 Mf (For EMU30 Production Compressor)
11	2600196	Drain Pan Heater Loop
12	3421430	Support, Pan Heater
13	6200300	Screw, 5/16-18 x 1-1/2" Hex
14	6240050	Flat Washer, 5/16"
15	3150170	Rubber Grommet, Large, 15/16"
16	1801000	Nylon Compressor Mount, 7/16"
17	6160070	Sleeve, 5/16 x 7/16 x 7/8"
18	3014100	Suction Line Drier (Service Only)



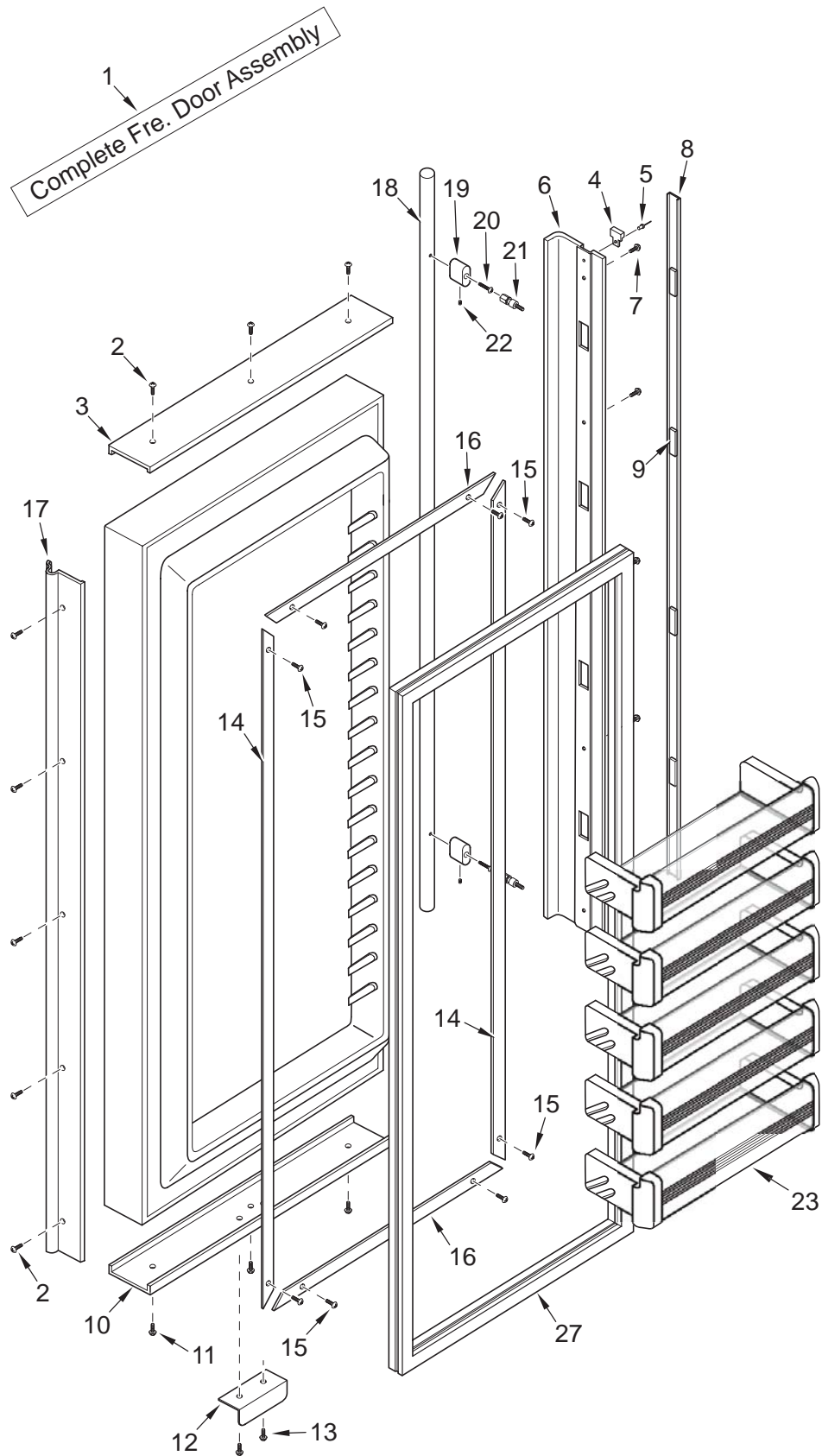
601RG-2 SEALED SYSTEM VIEW



601F-2 DOOR PARTS LIST

<u>Ref #</u>	<u>Part #</u>	<u>Description</u>
1	4132943	Door Assy, 601F-RH (Framed/Overlay)
	4132944	Door Assy, 601F-LH (Framed/Overlay)
	4134523	Door Assy, 601F/S-RH SS
	4134524	Door Assy, 601F/S-LH SS
	4135673	Door Assy, SRVC, 601F-RH, B
	4135674	Door Assy, SRVC, 601F-LH, B
	4135873	Door Assy, SRVC, 601F-RH, P
	4135874	Door Assy, SRVC, 601F-LH, P
NOTE: Door Assy's do NOT incl. hinges, handle or switch depressor.		
2	6200720	Screw, #8-18 x 1/2 Ph Truss Hd
	6200721	Screw, #8-18X1/2 Ph Low Prfl, B
3	2230608	Door Trim, Top LH
	2230609	Door Trim, Top RH
4	3413340	Handle/Trim End Cap
5	6180160	Rivet, Open End Blind, 1/8 X 3/16
6	4132230	Door Handle Assy (Framed)
	4132330	Handle-Side Door Trim (Overlay)
7	6201300	Tapping Screw, #8 x 1/2
8	4132370	Handle/Trim Molding Assy
9	3451140	Magnet, Trim Strip - 3"
10	2230606	Door Trim, Top RH or Bottom LH
	2230607	Door Trim, Top LH or Bottom RH
11	6200720	Screw, #8-18 x 1/2 Ph Truss Hd
	6200721	Screw, #8-18X1/2 Ph Low Prfl, B
12	0185180	Depressor, Door Switch-Silver
	3421990	Depressor, Switch (Black)
13	6201300	Tapping Screw, #8 x 1/2
14	3420250	Gasket Retainer, Side, 57.875
15	6200410	Screw, #8 x 1/2 Slot Head Hex
16	3420220	Gasket Retainer, 33.312
17	3511310	Door Trim, Hinge Side - Mitered Corner
	3511410	Door Trim, Hinge Side - (SS Model)
	3512221	Trim, Door Hinge Side-Carbon
	3512222	Trim, Door Hinge Side-Platinum
18	4133690	Handle Assy, SS OBR Standoffs (Incl. Stand-offs)
	4133691	Handle Assy,OBR Standoff,B (Incl. Stand-offs)
	4133692	Handle Assy,OBR Standoff,P (Incl. Stand-offs)
19	3512150	Standoff, SS Oval, Door
	3512151	Standoff,Oval,B
	3512152	Standoff,Oval,P
20	6110540	Bolt, #10-24 x 1/2 Flat Socket HD
21	3511520	Handle Mounting Stud
22	6110730	Set Screw #10-32 x 1/4 SS Cone
23	4330480	Door Shelf Assy
24	3212100	Door Gasket

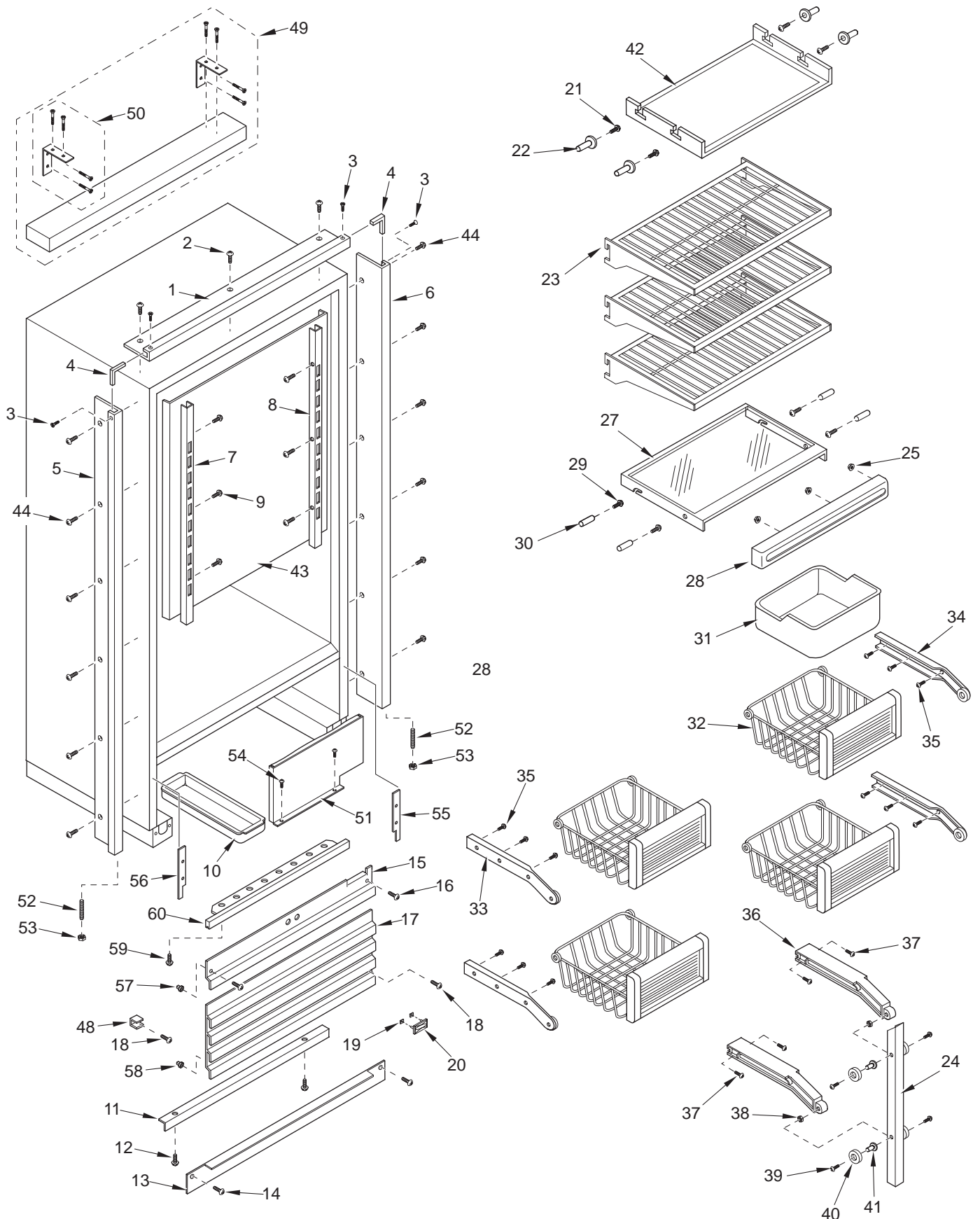
601F-2 DOOR VIEW



601F-2 COSMETIC PARTS LIST

Ref #	Part #	Description	Ref #	Part #	Description
1	2234015	Frame, Main Top-RH	18	6200790	Screw, #8-18 X 1/2" Black
	3517013	Frame, Main Top 36-RH,B		6201460	Screw, #8-18 X 3/4 A Fil Black
	3517038	Frame, Main Top 36-RH,P	19	6150140	Spring Grip Nut, 1/8
	2234016	Frame, Main Top-LH	20	3580210	Name Plate, Stick-on (See SN Breaks)
	3517014	Frame, Main Top 36-LH,B		3580211	Nameplate, B, P (See SN Breaks)
	3517039	Frame, Main Top 36-LH,P		3580230	Name Plate w/ Pegs (See SN Breaks)
2	6200010	Screw, #10-12 x 3/4 Pan HD		3580270	Logo, Stainless 3 1/2" (Stick-on)
3	6200070	Screw, #4-24 x 3/8" Flat HD.		3580280	Logo, Framed 3 1/2" (w/ Pegs)
	6200071	Screw, #4-24X3/8 Flat Hd, B		3580290	Logo, Carbon 3 1/2", (Stick-on)
4	2210701	Main Frame Angle	21	6201330	Screw, #8 PH-Pan Head 1"
5	2234004	Frame, Main Left-RH	22	3520420	Insert / Diffuser Stand-off
	3517004	Frame, Main Side Left-RH, B	23	3601880	Freezer Wire Shelf
	3517029	Frame, Main Side Left-RH, P	24	0234010	Center Basket Slide Support
	2234005	Frame, Main Left-LH	25	6150820	Palnut, .25
	3517005	Frame,Main Side Left-LH,B	26	NA	
	3517030	Frame,Main Side Left-LH, P	27	4181550	Freezer Glass Shelf Assy. (Incl. Front)
6	2234003	Frame,Main Right-RH	28	3413030	Freezer Glass Shelf Front
	3517003	Frame,Main Side Right-RH,B	29	6200280	Screw, #8-18 x 1 Pan Head
	3517028	Frame,Main Side Right-RH, P	30	6220430	Screw Grommet
	2234006	Frame,Main Side-LH	31	3411320	Ice Bucket
	3517006	Frame, Main Side Right-LH, B	32	4181570	Freezer Basket Assy
	3517031	Frame, Main Side Right-LH, P	33	4180972	Freezer Basket Slide Assy - Left
7	3601842	Shelf Ladder, Left	34	4180971	Freezer Basket Slide Assy - Right
8	3601841	Shelf Ladder, Right	35	6200450	Screw, #8 x 1 Type AR Flat
9	6200710	Screw, #8-18 x 3/8 Fillister HD	36	3411280	Center Basket Slide
10	0166110	Drain Pan	37	6200130	Screw, #8-18 x 3/4 Truss HD
11	0169790	Front Rail	38	6150020	Nut-Hex, #10-32
12	6110020	Bolt, #10-24 x 3/8 Truss HD	39	6200740	Screw, #10-32 x 11/16 PH Flat HD UC
13	0169520	Kickplate	40	3421160	Basket Slide Roller
	0167820	Kickplate, Stainless Steel		3421170	Freezer Basket Slide Roller, Wide
	0167821	Kickplate,Solid 36",B	41	3430080	Roller Bushing
	0167822	Kickplate,Solid 36",P	42	4161630	Freezer Light Diffuser Assembly
14	6200050	Screw, #10-12 Pan Hd	43	0234510	Evaporator Cover
	6200720	Screw, #8-18x1/2 Ph Tr Hd (SS Model)	44	6201550	Screw, #8-18 Lw Prfl
15	2233901	Upper Grille - RH (Framed / Overlay)	45	NA	
	0261281	Cover, Grille RH (SS)	46	NA	
	3517101	Upper Grille - RH,B	47	NA	
	3517103	Upper Grille - RH,P	48	3450910	Clip, Grille
	2233902	Upper Grille - LH (Framed / Overlay)	49	4201320	Blocking Components, 36"
	0261282	Cover, Grille LH (SS)	50	4201340	Blocking Hardware Package
	3517102	Upper Grille - LH,B	51	4281060	Shroud Assy, Comp
	3517104	Upper Grille - LH,P	52	3550190	Bottom Hinge Stud
16	6200720	Screw, #8-18 x 1/2 PH Truss HD	53	6150200	Nut, 1/4-20 Hex
	6201510	Screw, #8-18 X 3/4 PH Truss HD	54	6201270	Screw, #8-18 x 5/8" PH PN SS-Gnd
17	4242250	Lwr Grille Section (Framed / Overlay)	55	3530881	Grille, Spacer RH
	4242380	Grille Assy, SS	56	3530882	Grille, Spacer LH
	3530581	Grille,Louver Section,B	57	6220320	Screw Grmt
	3530582	Grille,Louver Section,P	58	6220050	Screw Grmt,1/2X5/8
			59	6201550	Screw, #8-1/8 Low Profile
			60	3516670	Trim, Grille Cover (SS)

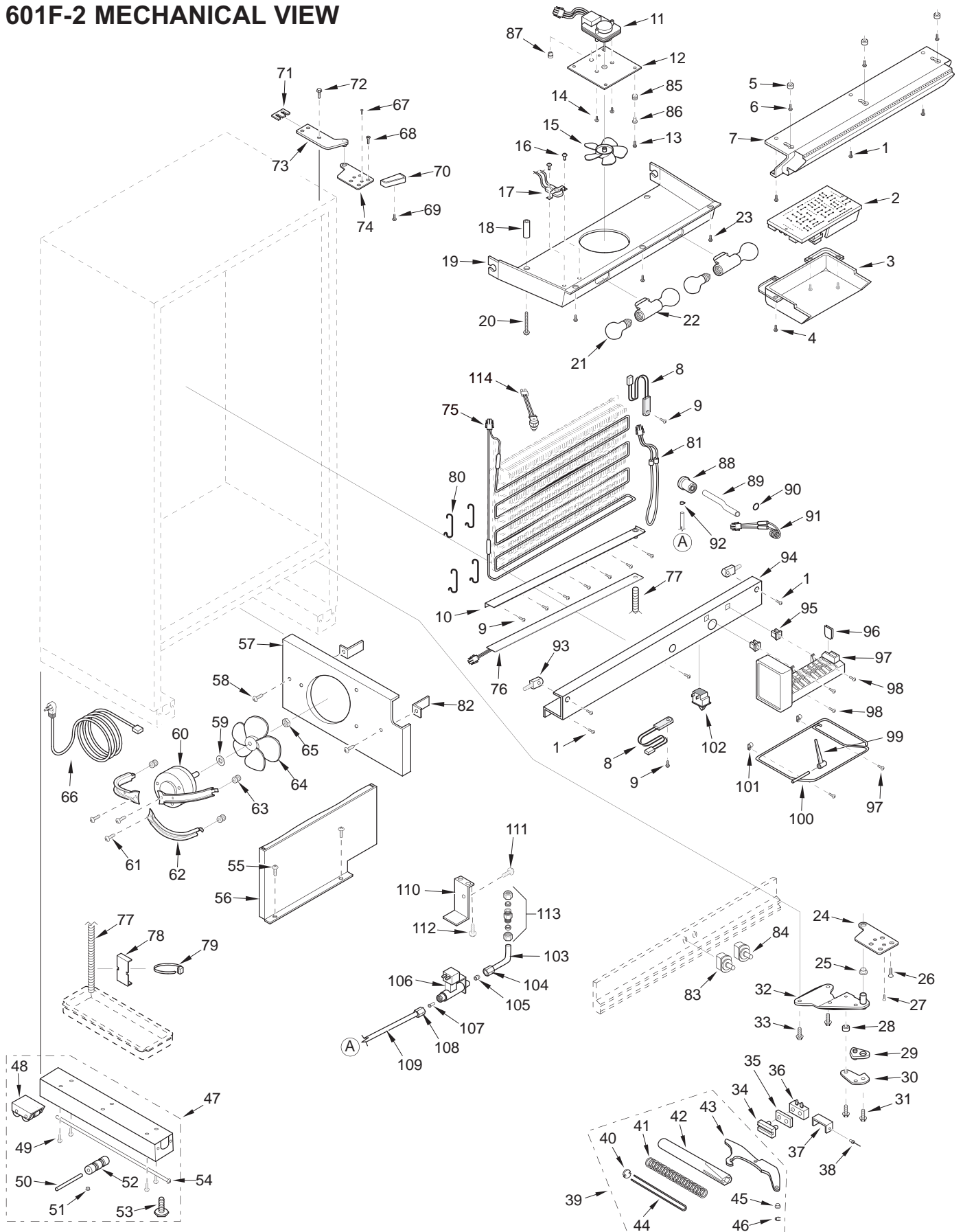
601F-2 COSMETIC VIEW



601F-2 MECHANICAL PARTS LIST

Ref #	Part #	Description	Ref #	Part #	Description
1	6201270	Screw, #8-18 x 5/8" PH PN SS-Gnd	55	6201270	Screw, #8-18 x 5/8" PH PN SS-Gnd
2	4203790	Control Board	56	4281060	Shroud Assy, Comp
3	4152050	Cover Assy, Control	57	0262110	Shroud, Cond Fan
4	6201270	Screw, #8-18 x 5/8" PH PN SS-Gnd	58	6200010	Screw, #10-12 x 3/4" Pan HD
5	6160240	Nylon Spacer	59	3210340	Neoprene Silencer, 7/8"
6	6200720	Screw, #8-18 x 1/2 PH Truss HD	60	4200740	Motor Pkg, Cond Fan (blade not incl.)
7	4161672	Control Panel Assy	61	6200430	Screw, #8-18x1/2 Ph Pan Hd
8	4204150	Thermistor, ASM Srvc Pkg	62	0261150	Brkt, Cond Mounting (3)
9	6201270	Screw, #8-18 x 5/8" PH PN SS-Gnd	63	3220360	Grommet, Mounting Bracket
10	4190270	Drain Trough (w/o htr)	64	3150800	Blade, Condenser Forward-SW
11	4201770	Evap. Fan Motor Pkg. (blade not Incl.)	65	6150410	Nut, 1/4-20
12	0211620	Refrigerator Fan Bracket	66	3025560	Cord Assy, Power Supply
13	6200130	Screw, #8-18 x 3/4" Truss HD	67	6200390	Screw, #6 x 3/8" T25 Flat Head PH
14	6110270	Bolt, #10-32 x 1/4" RD HDDS90	68	6110540	Bolt, #10-24 x 1/2" Flat Socket HD
15	3150520	Fan Blade, 4", 4 prop	69	6200140	Screw, #8-15 x 3/8" Truss HD
16	6180010	Pop Rivet, 1/8"	70	3541017	Top Cabinet Hinge Cover, RH
17	3082140	Light Terminator	3541211	Cover, Top Cabinet Hinge-RH, B	
18	6220540	Screw Grommet/Stand-off, 1.375	3541213	Cover, Top Cabinet Hinge-RH, P	
19	4161640	Fre Fan Shroud Assembly	3541018	Top Cabinet Hinge Cover, LH	
20	6201010	Screw, #8-15 x 2" Pan Head	3541212	Cover, Top Cabinet Hinge-LH, B	
21	3030030	Light Bulb, 40 Watt	3541214	Cover, Top Cabinet Hinge-LH, P	
22	3050250	Skt, Light MBase Dbl	71	0168680	Shim - Hinge
23	6201270	Screw, #8-18 x 5/8" PH PN SS-Gnd	72	6110070	Bolt, 1/4-20 x 3/4" Spinlock Zinc
24	4151241	Door Hinge, Bottom RH	73	4151271	Cabinet Hinge Assy, Upper RH
4151243	Hinge Assy, Bot Door-RH, B	4151273	Hinge Assy, Upr Cab-RH, B		
4151242	Door Hinge, Bottom LH	4151272	Cabinet Hinge Assy, Upper LH		
4151244	Hinge Assy, Bot Door-LH, B	4151274	Hinge Assy, Upr Cab-LH, B		
25	3421270	Hinge Bearing, 3/8" x 5/8"	74	4151471	Door Hinge Assy, Top RH
3421271	Bearing, Door, B	4151472	Door Hinge Assy, Top LH		
26	6110540	Bolt, #10-24 x 1/2" Flat Socket HD	75	3070040	Heater, Defrost
27	6200390	Screw, #6 x 3/8" T25 Flat Head PH	76	3013530	Drain Trough Heater
28	6160220	Steel Spacer	77	1601400	Drain Tube, Wire - 1/2" x 72"
6160221	Spacer, Steel 13SP094, B	78	0261160	Bracket, Drain Tube	
29	DS90	Door Stop-90 Degree (Sales Acc.)	79	6120170	Locking Cable Tie, Red, 11-1/2"
DS90/B	Stop, Door Kit 90 Degree, B (Sales Acc.)	80	1801100	Heater Clip	
DS105	Door Stop-105 Degree (Sales Acc.)	81	3013540	Drain Tube Heater	
DS105/B	Stop, Door Kit 105 Degree, B (Sales Acc.)	82	3450290	Angle Bracket	
30	0183960	Cabinet Hinge Stiffener	83	3060030	Light Switch, N/C (White)
0183961	Cabinet Hinge Stiffener, B	3060031	Switch, Plunger N.C. Black		
31	6110450	Bolt, 1/4-20 x 1/2" Whiz Lock	84	3060020	Fan Switch, N/O (White)
6110451	Bolt, 1/4-20 X 9/16 Whiz Lock, B	3060021	Switch, Plunger N.O. Black		
32	4151871	Bottom cabinet Hinge Assembly - RH	85	3220250	Grommet, Rubber-M5351
4151873	Hinge Assy, Bot Cabnt-RH, B	86	3520410	Brass Insert, Fan	
4151872	Bottom Cabinet Hinge Assembly - LH	87	3220300	Bushing, Strain Relief RT Angle	
4151874	Hinge Assy, Bot Cabnt-LH, B	88	1607700	Water Inlet Tube	
33	6110070	Bolt, 1/4-20 x 3/4" Spinlock Zinc	89	2605408	Water Inlet Tube Extension, 6.34"
34	3421310	Door Closer Guide	90	3450480	Plastic O-Ring
35	0165970	Door Closer Guide Support	91	3070210	Heater, Fill Tube
36	3450570	Door Closer Cushion	92	6220470	Fill Tube Clamp
37	0166360	Door Closer Cushion Retainer	93	6220330	Plastic Support
38	6180010	Pop Rivet, 1/8"	94	0234540	Drain Trough Enclosure
39	4201113	Door Closer Assembly, RH/LH	95	6220220	Screw Grommet, 1/32" X 3/8" SQ.
4201117	Door Closer Assy, SNG, B (RH & LH)	96	3140360	Fill Cup Plug	
40	0165980	Door Closer Spring Retainer	97	4200521	Icemaker Assy
41	3450530	Door Closer Spring	98	6200120	Screw, #10-12 x 1/2" Truss HD
3450710	Low Pull Spring	99	3421070	Connecting Rod	
42	NA	See 4201113 & 4201117	100	3421150	Ice Level Control Arm
43	NA	See 4201113 & 4201117	101	6120280	Tube Clamp, Nylon, 3/16"
44	3421290	Door Closer Linkage	102	3060130	SPST Fan/Icemaker Switch
45	3421260	Door Closer Bearing	103	2600297	Tube, Copper L-Shaped
3421261	Bearing, Door Closer, B	104	3520380	Compression Nut	
46	3450550	E-Ring / Klipping, 5/16"	105	3520370	Compression Sleeve
47	4110353	Base Assy (w/rollers)	106	4202790	Water Valve
48	4110331	Base Rear Roller Assy	107	3520050	Brass Insert, Solenoid
49	6200010	Screw, #10-12 x 3/4" Pan HD	108	3520030	Icemaker Nylon Nut, 1/4"
50	3550560	Straight Pin, Base Assy - .312" x 2.88"	109	2600617	Plastic Water Line
51	3450620	Canoe Clip	110	0168160	Solenoid Water Valve Bracket
52	3421240	Cabinet Roller	111	6200780	Screw, #10-24 x 1/2" PH Hex Washer
53	3570050	Leveling Leg, #18-3/8 x 1"	112	6201270	Screw, #8-18 x 5/8" PH PN SS-Gnd
54	6110580	Adjusting Screw	113	3520250	Water Inlet Fitting Assy
			114	3082090	Terminator, Defrost {70°/30°}

601F-2 MECHANICAL VIEW

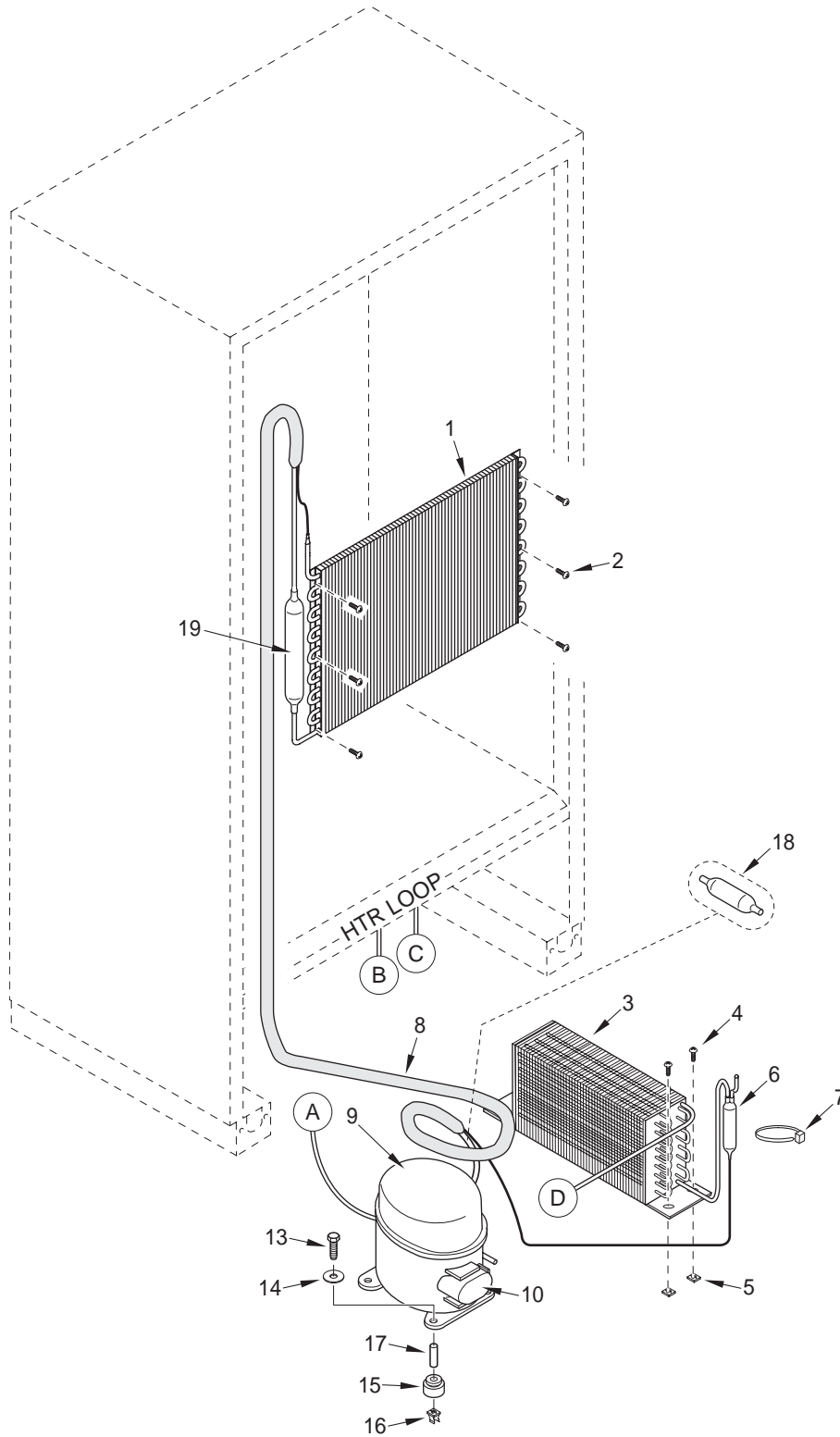


601F-2 SEALED SYSTEM PARTS LIST

<u>Ref #</u>	<u>Part #</u>	<u>Description</u>
1	3130440	Evaporator Assembly
2	6201270	Screw, #8-18 x 5/8" PH PN SS-Gnd
3	3120320	Condenser
4	6110020	Bolt, #10-24 x 3/8" Truss HD
5	6150080	Nut-Flat, #10-24
6	3014230	Filter-Drier, High Side
7	6120170	Locking Cable Tie, Red, 11-1/2"
8	4251320	Heat Exchanger
9	4202250	Compressor, Freezer (DA73)
10	3111041	Relay, (PTH490D-AS100) (Used with DA73 Compressor)
	3111350	Relay, (8EA403) (Used with RG108 Compressor)
	3111430	Overload, (4TM419MFB) (Used with DA73 Compressor)
	3111390	Overload, (4TM419TFB) (Used with RG108 Compressor)
	3111070	Running Capacitor, (12Mf) (Used with DA73 Compressor)
	3111133	Capacitor,(15Mf) (Used with RG108 Compressor)
11	NA	
12	NA	
13	6200300	Screw, 5/16-18 x 1-1/2" Hex
14	6240050	Flat Washer, 5/16"
15	3150170	Rubber Grommet, Large, 15/16"
16	1801000	Nylon Compressor Mount, 7/16"
17	6160070	Sleeve, 5/16 x 7/16 x 7/8"
18	3014100	Suction Line Drier (Service Only)
19	3011140	Accumulator



601F-2 SEALED SYSTEM VIEW

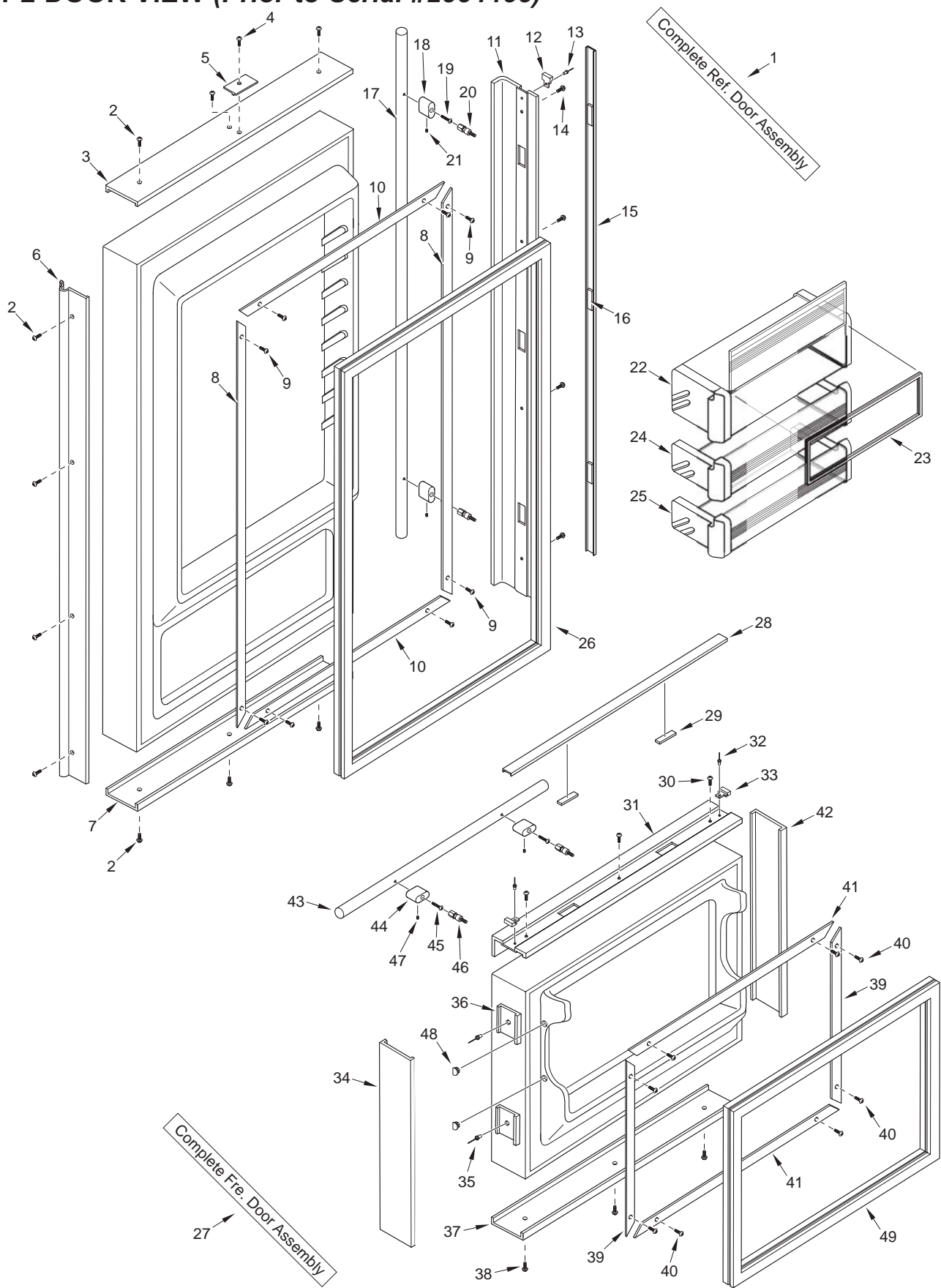


611-2 DOOR PARTS LIST (Prior to Serial #2354455)

Ref #	Part #	Description	Ref #	Part #	Description
1	4133133	Door Assy, 611 Ref-RH (Framed/Overlay)	20	3511520	Handle Mounting Stud
	4133134	Door Assy, 611 Ref-LH (Framed/Overlay)	21	6110730	Set Screw #10-32 x 1/4 SS Cone
	4133283	Door Assy, 611 Ref SS-RH	22	4330450	Dairy Compartment Assy
	4133284	Door Assy, 611 Ref SS-LH	23	3211830	Dairy Compartment Gasket
	4135603	Door Assy, SRVC, 611-RH, B	24	4330470	Refrig. Door Shelf Assy
	4135604	Door Assy, SRVC, 611-LH, B	25	4330520	Gallon Door Shelf Assy (Sales Acc.)
	4135803	Door Assy, SRVC, 611-RH, P	26	3212160	Door Gasket, Refrigerator
	4135804	Door Assy, SRVC, 611-LH, P	27	4133145	Drawer Assy, Fre (Frame/Overlay)
NOTE: Door Assy's do NOT incl. hinges or handles.					
2	6200720	Screw, #8-18 x 1/2 Ph Truss Hd		4133285	Fre Drawr Assy (SS)
	6200721	Screw, #8-18X1/2 Ph Low Prfl, B		4134860	Drawer Assy, 611, B
3	2230610	Trim, Door, Top Ref-RH		4135010	Drawer Assy, 611, P
	2230611	Trim, Door, Top Ref-LH	28	4132380	Handle/Trim Molding Assy, Freezer
4	6200720	Screw, #8-18 x 1/2 Ph Truss Hd	29	3451140	Magnet, Trim Strip - 3"
	6200721	Screw, #8-18X1/2 Ph Low Prfl, B	30	6201300	Tapping Screw, #8 x 1/2
5	4200940	Switch Depressor (Includes Screw)	31	4132260	Drawer Handle Assy, Freezer (Framed)
	3421381	Depressor, Switch, B (Screw not Incl.)		4132360	Handle-Side Door Trim, Freezer (Overlay)
6	3511140	Door Trim, Hinge Side - (SS Model)	32	6180160	Rivet, Open End Blind, 1/8 x 3/16
	3511141	Door Trim, Hinge Side - Mitered Corner	33	3413340	Handle/Trim End Cap
	3512231	Trim, Door Hinge Side-Carbon	34	2230701	Fre Drawer Trim, Rt Side
	3512232	Trim, Door Hinge Side-Platinum	35	6180040	Pop Rivet, 3/16 x 1/8 Grip
7	2230612	Trim, Door, Bottom Ref-RH	36	3450460	Door Trim Clip
	2230613	Trim, Door, Bottom Ref-LH	37	2230614	Freezer Drawer Trim, Bottom
8	3420240	Gasket Retainer, Side Ref, 47.438	38	6200720	Screw, #8-18 x 1/2 Ph Truss Hd
9	6200410	Screw, #8 x 1/2 Slot Head Hex		6200721	Screw, #8-18X1/2 Ph Low Prfl, B
10	3420200	Gasket Retainer, 27.062	39	3420150	Gasket Retainer, 17.312
11	4132240	Handle Assy, Door Ref (Framed)	40	6200410	Screw, #8 x 1/2 Slot Head Hex
	4132340	Trim Assy, Handle Side Ref (Overlay)	41	3420200	Gasket Retainer, 27.062
12	3413340	Handle/Trim End Cap	42	2230702	Fre Drawer Trim, Lt Side
13	6180160	Rivet, Open End Blind, 1/8 x 3/16	43	4133710	Handle Assy, Obr Standoff-Fre (Incl. Stand-offs)
14	6201300	Tapping Screw, #8 x 1/2		4133711	Handle Assy, OBR Standoff, B (Incl. Stand-offs)
15	4131870	Handle/Trim Molding Assy, Refrig.		4133712	Handle Assy, OBR Standoff, P (Incl. Stand-offs)
16	3451140	Magnet, Trim Strip - 3"	44	3512160	Standoff, SS Oval, Drwr
17	4133700	Handle Assy, SS OBR Standoff-Ref (Incl. Stand-offs)		3512161	Standoff, Oval, B
	4133701	Handle Assy, OBR Standoff, B (Incl. Stand-offs)		3512162	Standoff, Oval, P
	4133702	Handle Assy, OBR Standoff, P (Incl. Stand-offs)	45	6110540	Bolt, #10-24 x 1/2 Flat Socket HD
18	3512150	Standoff, SS Oval	46	3511520	Handle Mounting Stud
	3512151	Standoff, Oval, B	47	6110730	Set Screw #10-32 x 1/4 SS Cone
	3512152	Standoff, Oval, P	48	3550230	White Plastic Plug, 3/4
19	6110540	Bolt, #10-24 x 1/2 Flat Socket HD	49	3212170	Door Gasket, Fre.



611-2 DOOR VIEW (Prior to Serial #2354455)

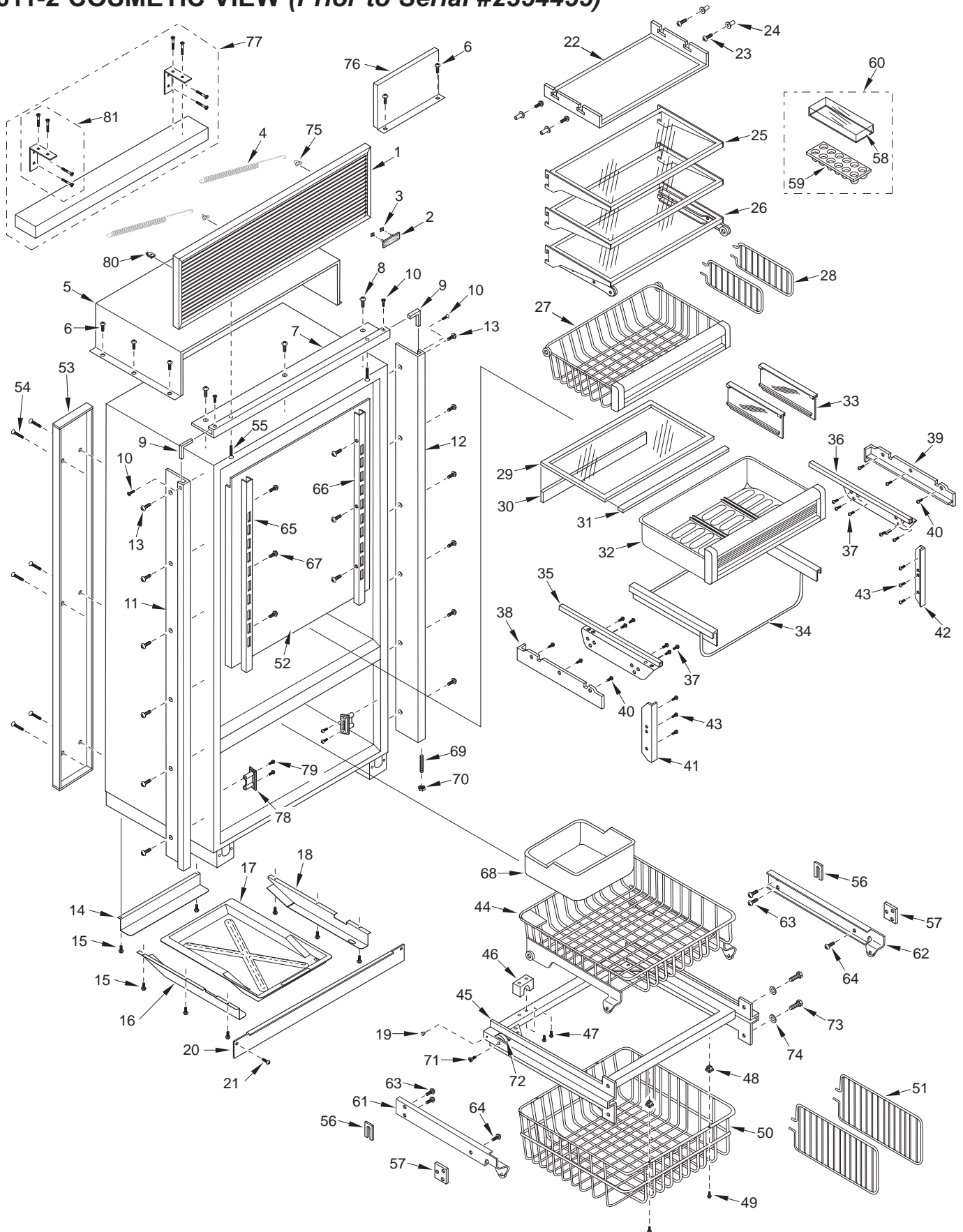


611-2 COSMETIC PARTS LIST (Prior to Serial #2354455)

Ref #	Part #	Description	Ref #	Part #	Description
1	6LG3011	Louvered Grille Assy, 30" x 11"	31	3211740	Crisper Glass Seal, Front
	6PG3011	Panel Grille Assy, 30" x 11"	32	4181460	High Humidity Drawer Assembly
	6SG3011/S	SS Grille, 30X11-CLSC	33	3413100	Drawer Divider
	6SG3011/B	SS Grille 30X11-Carbon	34	3421760	Humidity Drawer Slide-Frame
	6SG3011/P	SS Grille 30X11-Platinum	35	4181412	Top Crisper Slide Assembly, Wide-LH
2	3580210	Name Plate, Stick-on (See SN Breaks)		4181421	Top Crisper Slide Assembly, Narrow-RH
	3580211	Nameplate, B, P (See SN Breaks)	36	4181411	Top Crisper Slide Assembly, Wide-RH
	3580230	Name Plate w/ Pegs (See SN Breaks)		4181422	Top Crisper Slide Assembly, Narrow-LH
	3580270	Logo, Stainless 3 1/2" (Stick-on)	37	6201270	Screw, #8-18 x 5/8" PH PN SS-Gnd
	3580280	Logo, Framed 3 1/2" (w/ Pegs)	38	3421711	Top Crspr Glass Support, Narrow-RH
	3580290	Logo, Carbon 3 1/2", (Stick-on)		3421722	Top Crisper glass Support, Wide-LH
3	6150140	Spring Grip Nut, 1/8"	39	3421712	Top Crisper Glass Support, Narrow-LH
4	3450900	Grille spring		3421721	Top Crisper Glass Support, Wide-RH
5	4281260	Unit Shroud Assembly	40	6201130	Screw, #8x 1/2" PH FL HD SS
6	6201270	Screw, #8-18 x 5/8" PH PN SS-Gnd	41	3421741	Crisper Filler Strip, Narrow (if RH)
7	2234018	Frame, Main Top 30 LH		3421742	Crisper Filler Strip, Wide (if LH)
	3517016	Frame, Main Top 30-LH, B	42	3421741	Crisper Filler Strip, Narrow (if LH)
	3517041	Frame, Main Top 30-LH, P		3421742	Crisper Filler Strip, Wide (if RH)
	2234017	Frame, Main Top 30 RH	43	6201270	Screw, #8-18 x 5/8" PH PN SS-Gnd
	3517015	Frame, Main Top 30-RH, B	44	4181950	Upper Fre Basket Assy
	3517040	Frame, Main Top 30-RH, P	45	4181910	Drawer Slide Assy, Fre
8	6200010	Screw, #10-12 x 3/4" Pan HD	46	3420950	Upper Freezer Basket Restraint
9	2210701	Main Frame Angle	47	6200340	Screw, #6-20 x 1/2" Pan Head
10	6200070	Screw, #4-24 x 3/8" Flat HD	48	6220110	Screw Grommet, 1/2" x 9/16"
	6200071	Screw, #4-24X3/8 Flat Hd, B	49	6200130	Screw, #8-18 x 3/4" Truss HD
11	2234004	Frame, Main Left-RH	50	3413980	Lower Freezer Basket
	3517004	Frame, Main Side Left-RH, B	51	3413700	Lower Fre Bskt Divider
	3517029	Frame, Main Side Left-RH, P	52	0201260	Refrig Evap Cover
	2234027	Frame, Main Side Left-LH	53	0261640	Duct, Back
	3517025	Frame, Main Side Left-LH, B	54	6201060	Screw, #8x1-1/4" PH FLAT TAP
	3517050	Frame, Main Side Left-LH, P	55	6201310	Screw, #8 x 1-3/4" Flat PH HD
12	2234006	Frame, Main Side Right-LH		6201311	Screw, #8X1-3/4 Flt Ph Hd, B
	3517006	Frame, Main Side Right-LH, B	56	0232310	Drawer Slide Shim, Rear
	3507031	Frame, Main Side Right-LH, P	57	0232300	Drawer Slide Shim, Front - .060"
	2234026	Frame, Main Side Right-RH		2121180	Shim, Freezer Drawer Front-.030"
	3517024	Frame, Main Side Right-RH, B	58	3412280	Egg Tray Cover
	3517049	Frame, Main Side Right-RH, P	59	3412270	Egg Tray
13	6201550	Screw, #8-18 Lw Prfl	60	4131810	Egg Tray with Cover
14	0262020	Support, Drain Pan, Rear	61	4181801	Cab Slide Assy, Fre; RT
15	6200010	Screw, #10-12 x 3/4" Pan HD	62	4181802	Cab Slide Assy, Fre; LT
16	0262010	Support, Drain Pan, LH	63	6110330	Screw, #10-32 x 1/4" Chrome Plate
17	2120121	Pan, Drain Vac Form	64	6200590	Screw, #12 x 1" Type A Zinc Flat HD
18	0262000	Support, Drain Pan, RH	65	3601821	Refrig. shelf ladder, Right
19	3550300	Glide, Rear Drawer 1/2X1/4	66	3601822	Refrig. shelf ladder, Left
20	0260710	Kickplate	67	6200710	Screw, #8-18 x 3/8" Fillister HD
	0168570	Kickplate, Stainless Steel	68	3411340	Ice Bucket
	0168571	Kickplate, Solid-30", B	69	3550190	Bottom Hinge Stud
	0168572	Kickplate, Solid-30", P	70	6150200	Nut, 1/4-20 Hex
21	6200050	Screw, #10-12 Pan Hd	71	6110260	Bolt, 1/4-20 x 1/2" Flat HD
	6200720	Screw, #8-18x1/2 Ph Tr Hd (SS Model)	72	3420900	Roller Bearing
22	4162580	Refrig. Light Diffuser Assembly	73	6110450	Bolt, 1/4-20 x 1/2" Whiz Lock
23	6201330	Screw, #8-18 x 5/8" PH PN SS-Gnd	74	6240040	Flat Washer, 1/4"
24	3520420	Insert / Diffuser Stand-off	75	3450520	Grille Hook
25	3601891	Glass Shelf, Spill Proof	76	4281270	Compsr Shroud Assy
26	4181560	Refrig. Roll-out Shelf Assy	77	4201310	Blocking Components; 30"
27	4181540	Refrig. Roll-out Basket Assy	78	3421860	Grommet, Spprt Insul.
28	3411160	Ref Roll-Out Bskt Divider	79	6200010	Screw, #10-12 x 3/4" Pan HD
29	4151770	Crisper Glass Assembly (Incl. Seals)	80	6150140	Spring Grip Nut, 1/8"
30	3211770	Crisper Glass Seal, Rear	81	4201340	Blocking Hardware Package



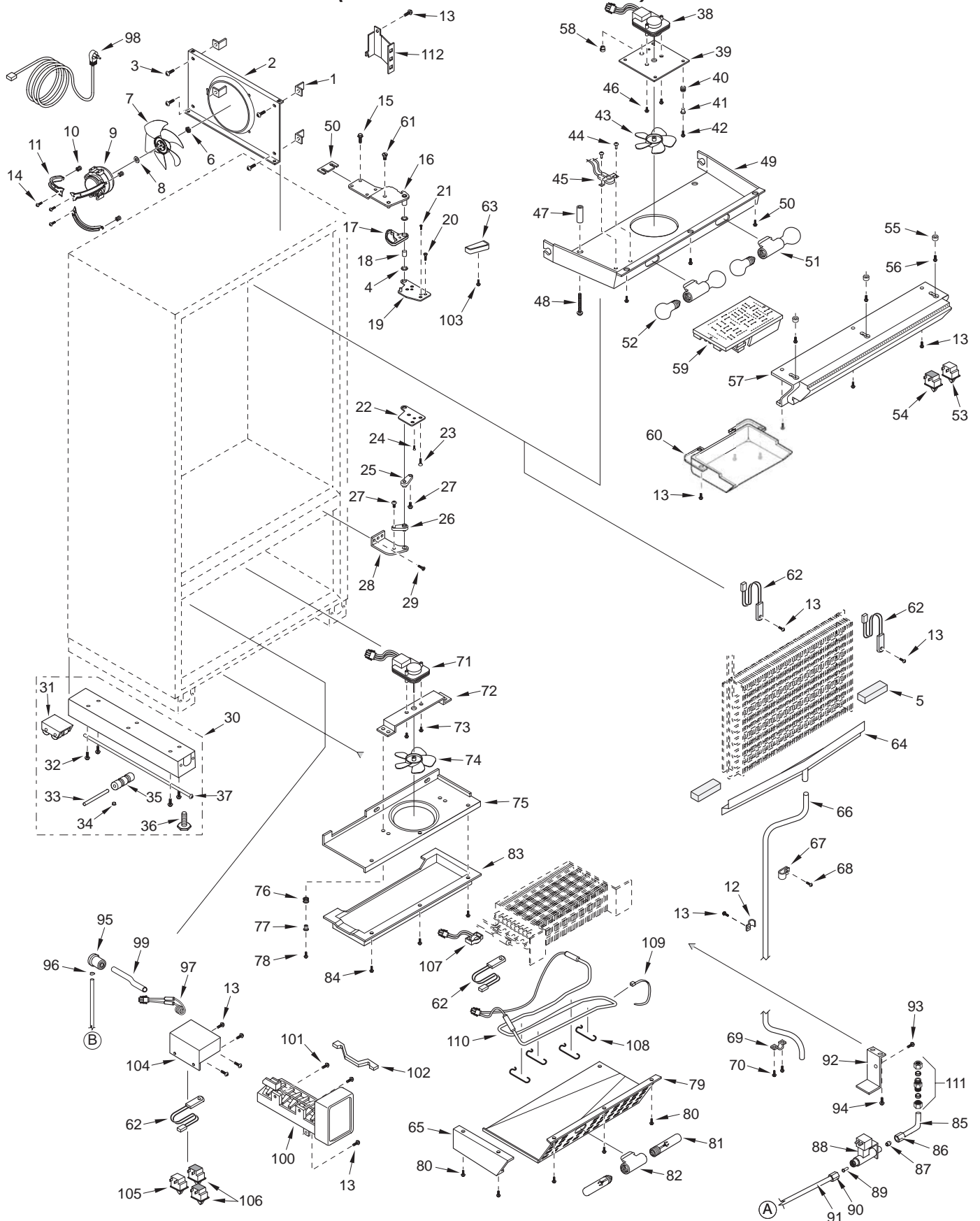
611-2 COSMETIC VIEW (Prior to Serial #2354455)



611-2 MECHANICAL PARTS LIST (Prior to Serial #2354455)

Ref #	Part #	Description	Ref #	Part #	Description
1	3450290	Bracket, Angle #8a	52	3030030	Light Bulb, 40 Watt
2	0261220	Shroud, Cond Fan	53	3060130	SPST Fan/Icemaker Switch (White)
3	6200010	Screw, #10-12 x 3/4" Pan HD		3060131	Switch, Rocker N.O. Black
4	3430120	Bushing, Door	54	3060140	SPST Light Switch (White)
5	6231490	Tape, Foam XLPE		3060141	Switch, Rocker N.C. Black
6	6150410	Nut, 1/4-20	55	6160240	Nylon Spacer
7	3150800	Blade, Condenser Forward-SW	56	6200720	Screw, #8-18 x 1/2 PH Truss HD
8	3210340	Neoprene Silencer, 7/8"	57	4161922	Control Panel Assy
9	4200740	Motor Pkg, Cond Fan (blade not incl.)	58	3220300	Bushing, Strain Relief RT Angle
10	3220360	Grommet, Mtg Brkt	59	4203790	Control Board Pkg
11	0261150	Bracket, Cond Fan Mounting (3)	60	4152050	Cover Assy, Control
12	6120050	Tube Clamp, Plastic, 5/8"	61	3550770	90° Stop Pin
13	6201270	Screw, #8-18 x 5/8" PH PN SS-Gnd	62	4204150	Thermistor, ASM Srvc Pkg
14	6200490	Screw, #8-32 x 3/8" Slotted Hex T25	63	3541017	Top Cabinet Hinge Cover, RH
15	6110070	Bolt, 1/4-20x3/4 Spinlock Zinc		3541211	Cover, Top Cabinet Hinge-RH,B
16	4151831	Upper Cabinet Hinge - RH		3541213	Cover, Top Cabinet Hinge-RH, P
	4151833	Hinge Assy, Upr Cab-RH, B		3541018	Top Cabinet Hinge Cover, LH
	4151832	Upper Cabinet Hinge - LH		3541212	Cover, Top Cabinet Hinge-LH,B
	4151834	Hinge Assy, Upr Cab-LH, B		3541214	Cover, Top Cabinet Hinge-LH, P
17	3421800	Door Stop Cam	64	0212630	Drain Trough, Ref
	3421801	Cam, Door Stop, B	65	0234300	Fre Evap. Cvr Lft Side
18	3421790	Bearing, Top Door Hinge	66	1601400	Drain Tube, Wire - 1/2" x 72"
19	4151841	Hinge, Door Top - RH	67	6120050	Tube Clamp, Plastic, 5/8"
	4151843	Hinge Assy,Door-Top RH, B	68	6200120	Screw, #10-12 x 1/2" Truss HD
	4151842	Hinge, Door Top - LH	69	6120210	U-Clamp, 5/8"
	4151844	Hinge Assy,Door-Top LH, B	70	6200010	Screw, #10-12 x 3/4" Pan HD
20	6110540	Bolt, #10-24 x 1/2" Flat Socket HD	71	4200160	Freezer Fan Motor Pkg. (Blade not Incl.)
21	6200390	Screw, #6 x 3/8" T25 Flat Head PH	72	0232280	Fan Bracket, Fre
22	0182381	Door Hinge, Bottom; RH	73	6110270	Bolt, #10-32 x 1/4" RD HD
	0182383	Hinge, Bottom Door-RH, B	74	3150640	Fan blade, Ref/Fre Evap.
	0182382	Door Hinge, Bottom; LH	75	4281500	Shroud Assy, Fre Evap
	0182384	Hinge, Bottom Door-LH, B	76	3220250	Grommet, 3/16" x 7/16" x 9/32"
23	6110540	Bolt, #10-24 x 1/2" Flat Socket HD	77	3520120	Brass Insert, Fan Bracket
24	6200390	Screw, #6 x 3/8" T25 Flat Head PH	78	6200670	Screw, #6-18 x 3/4" Teks
25	3420690	Bottom Door Hinge Cam	79	0235220	Cover, Fre Evap
	3420691	Cam, Top Door Closer, B	80	6200120	Screw, #10-12 x 1/2" Truss HD
26	3420681	Bottom Cabinet Hinge Cam, RH	81	3030040	Light Bulb, Long/Narrow; 40 watt
	3420683	Cam, Bottom Door Closer-RH, B	82	3050220	Socket, Light Base Sngl (See SN Breaks)
	3420682	Bottom Cabinet Hinge Cam, LH	83	0234890	Fre Air Duct Assy
	3420684	Cam, Bottom Door Closer-LH, B	84	6200120	Screw, #10-12 x 1/2" Truss HD
27	6110270	Bolt, #10-32 x 1/4" RD HD	85	2600297	Tube, Copper L-Shaped
	6110271	Bolt, #10-32x1/4 RD HD, B	86	3520380	Compression Nut
28	4152011	Cabinet Hinge, Bot - RH	87	3520370	Compression Sleeve
	4152013	Hinge Assy, Lower-RH, B	88	4202790	Water Valve
	4152012	Cabinet Hinge, Bot - LH	89	3520050	Brass Insert, Solenoid
	4152014	Hinge Assy, Lower-LH, B	90	3520030	Icemaker Nylon Nut, 1/4"
29	6110010	Bolt, #10-24 x 1/2" Flat Head UC	91	2600617	Plastic Water Line
30	4110353	Base Assy (w/rollers)	92	0168160	Solenoid Water Valve Bracket
31	4110331	Base Rear Roller Assy	93	6200780	Screw, #10-24 x 1/2" PH Hex Washer
32	6200010	Screw, #10-12 x 3/4" Pan HD	94	6201270	Screw, #8-18 x 5/8" PH PN SS-Gnd
33	3550560	Straight Pin, Base Assy, .312" x 2.88"	95	1607700	Water Inlet Tube
34	3450620	Canoe Clip	96	6220470	Fill Tube Clamp
35	3421240	Cabinet Roller (Single)	97	3070210	Heater, Fill Tube
36	3570050	Leveling Leg, #18-3/8 x 1"	98	3025560	Cord Assy, Power Supply
37	6110580	Adjusting Screw	99	2605410	Water Inlet Tube Extension
38	4200170	Refrig. Fan Motor Pkg. (Blade not Incl.)	100	4200522	Icemaker Assembly
39	0211620	Refrigerator Fan Bracket	101	6200120	Screw, #10-12 x 1/2" Truss HD
40	3220250	Grommet, 3/16" x 7/16" x 9/32"	102	3140400	Icemaker Rudder Arm
41	3520410	Brass Insert, Fan	103	6200140	Screw, #8-15 x 3/8" Truss HD
42	6110270	Bolt, #10-32 x 1/4" RD HD	104	0233820	Switch Housing, Freezer
43	3150640	Fan blade, Ref/Fre Evap.	105	3060140	SPST Light Switch
44	6180010	Pop Rivet, 1/8"	106	3060130	SPST Fan/Icemaker Switch
45	3082140	Light Terminator	107	3082060	Defrost Terminator-55/30 Deg.
46	6110270	Bolt, #10-32 x 1/4" RD HD	108	1801100	Heater Clip
47	6220540	Screw Grommet / Stand-off	109	6120340	Aluminum Strap
48	6201010	Screw, #8-15 x 2" Pan Head	110	4325190	Defrost Heater Assy
49	4161970	Refrig. Fan Shroud Assy	111	3520250	Water Inlet Fitting Assy
50	0168680	Shim - Hinge	112	0260740	Bracket, Condenser Shroud
51	3050250	Skt, Light MBase Db1			

611-2 MECHANICAL VIEW (Prior to Serial #2354455)

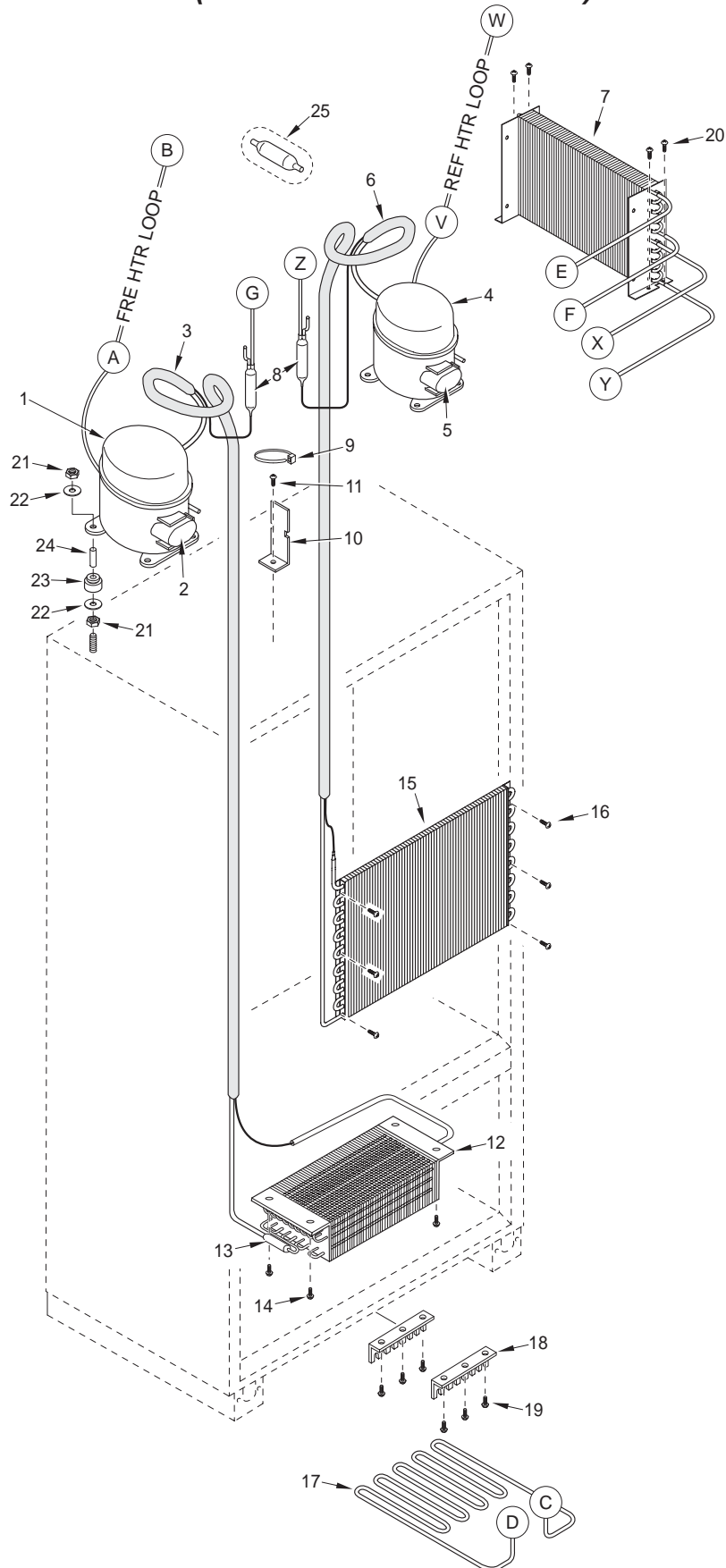


611-2 SEALED SYSTEM PARTS LIST (Prior to Serial #2354455)

<u>Ref #</u>	<u>Part #</u>	<u>Description</u>
1	4202280	Compressor, (EMI60HER)
2	3111350	Relay, (8EA403) (Used with RG108 Compressor)
	3111460	Relay, (1351408) (Used with EMI60HER Compressor)
	3111390	Overload (4TM419TFB) (Used with RG108 Compressor)
	3111470	Overload, (4TM757NFB) (Used with EMI60HER Compressor)
	3111133	Capacitor (15Mf) (Used with RG108 Compressor)
	3111470	Overload, (4TM757NFB) (Used with EMI60HER Compressor)
3	4251350	Heat Exchanger, Freezer
4	4201880	Compressor, Refrig. (EMI30HER)
5	3111370	Relay, (1351400 - for EMI30HER)
	3111410	Overload, (4TM734LFB - for EMI30HER)
6	4251570	Heat Exchanger, Refrigerator
7	3120480	Condenser, Dual
8	3014230	Filter-Drier, High Side
9	6120170	Locking Cable Tie, Red, 11-1/2"
10	0168040	Drier Bracket
11	6201270	Screw, #8-18 x 5/8" PH PN SS-Gnd
12	3130600	Evaporator Coil, Fre
13	3011130	Freezer Accumulator
14	6200120	Screw, #10-12 x 1/2" Truss HD
15	3130630	Evaporator, Refrig.
16	6201270	Screw, #8-18 x 5/8" PH PN SS-Gnd
17	2600138	Drain Pan Heater Loop
18	3421410	Drain Pan Heater Loop Support
19	6200010	Screw, #10-12 x 3/4" Pan HD
20	6200010	Screw, #10-12 x 3/4" Pan HD
21	6150220	Nut, 5/16-18 Hex Zinc
22	6240050	Flat Washer, 5/16"
23	3150010	Rubber Grommet, Small, 5/8"
	3150170	Rubber Grommet, Large, 15/16"
24	6160030	Spacer, 5/16 x 7/16 x 5/8"
	6160070	Sleeve, 5/16 x 7/16 x 7/8"
25	3014100	Suction Line Drier (Service Only)



611-2 SEALED SYSTEM VIEW (Prior to Serial #2354455)

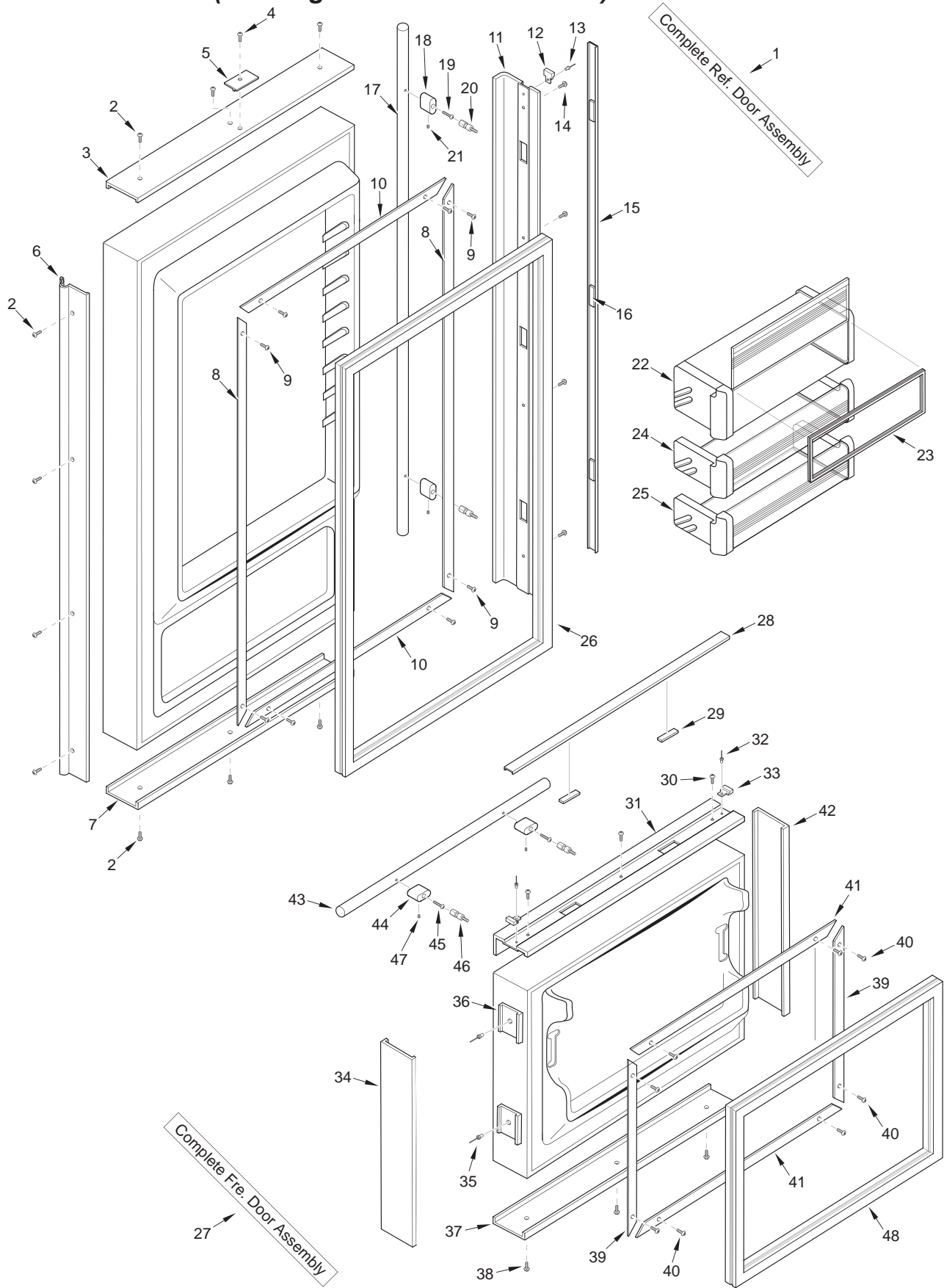


611-2 DOOR PARTS LIST (Starting with Serial #2354455)

Ref #	Part #	Description	Ref #	Part #	Description
1	4133133	Door Assy, 611 Ref-RH (Framed/Overlay)	19	6110540	Bolt, #10-24 x 1/2 Flat Socket HD
	4133134	Door Assy, 611 Ref-LH (Framed/Overlay)	20	3511520	Handle Mounting Stud
	4133283	Door Assy, 611 Ref SS-RH	21	6110730	Set Screw #10-32 x 1/4 SS Cone
	4133284	Door Assy, 611 Ref SS-LH	22	4330450	Dairy Compartment Assy
	4135603	Door Assy, SRVC, 611-RH, B	23	3211830	Dairy Compartment Gasket
	4135604	Door Assy, SRVC, 611-LH, B	24	4330470	Refrig. Door Shelf Assy
	4135803	Door Assy, SRVC, 611-RH, P	25	4330520	Gallon Door Shelf Assy (Sales Acc.)
	4135804	Door Assy, SRVC, 611-LH, P	26	3212160	Door Gasket, Refrigerator
NOTE: Door Assy's do NOT incl. hinges or handles.			27	4135961	Drawer Assy Front, Svc 611F/O
2	6200720	Screw, #8-18 x 1/2 Ph Truss Hd		4136001	Drawer Assy Front, Svc 611S
	6200721	Screw, #8-18X1/2 Ph Low Prfl, B		4136341	Drawer Assy Front, Svc 611B
3	2230610	Trim, Door, Top Ref-RH		4136351	Drawer Assy Front, Svc 611P
	2230611	Trim, Door, Top Ref-LH	28	4132380	Handle/Trim Molding Assy, Freezer
4	6200720	Screw, #8-18 x 1/2 Ph Truss Hd	29	3451140	Magnet, Trim Strip - 3"
	6200721	Screw, #8-18X1/2 Ph Low Prfl, B	30	6201300	Tapping Screw, #8 x 1/2
5	4200940	Switch Depressor (Includes Screw)	31	4132260	Drawer Handle Assy, Freezer (Framed)
	3421381	Depressor, Switch, B (Screw not Incl.)		4132360	Handle-Side Door Trim, Freezer (Overlay)
6	3511140	Door Trim, Hinge Side - (SS Model)	32	6180160	Rivet, Open End Blind, 1/8 x 3/16
	3511141	Door Trim, Hinge Side - Mitered Corner	33	3413340	Handle/Trim End Cap
	3512231	Trim, Door Hinge Side-Carbon	34	2230701	Fre Drawer Trim, Rt Side
	3512232	Trim, Door Hinge Side-Platinum	35	6180040	Pop Rivet, 3/16 x 1/8 Grip
7	2230612	Trim, Door, Bottom Ref-RH	36	3450460	Door Trim Clip
	2230613	Trim, Door, Bottom Ref-LH	37	2230614	Freezer Drawer Trim, Bottom
8	3420240	Gasket Retainer, Side Ref, 47.438	38	6200720	Screw, #8-18 x 1/2 Ph Truss Hd
9	6200410	Screw, #8 x 1/2 Slot Head Hex		6200721	Screw, #8-18X1/2 Ph Low Prfl, B
10	3420200	Gasket Retainer, 27.062	39	3420150	Gasket Retainer, 17.312
11	4132240	Handle Assy, Door Ref (Framed)	40	6200410	Screw, #8 x 1/2 Slot Head Hex
	4132340	Trim Assy, Handle Side Ref (Overlay)	41	3420200	Gasket Retainer, 27.062
12	3413340	Handle/Trim End Cap	42	2230702	Fre Drawer Trim, Lt Side
13	6180160	Rivet, Open End Blind, 1/8 x 3/16	43	4133710	Handle Assy, Obr Standoff-Fre
14	6201300	Tapping Screw, #8 x 1/2			(Incl. Stand-offs)
15	4131870	Handle/Trim Molding Assy, Refrig.		4133711	Handle Assy, OBR Standoff, B
16	3451140	Magnet, Trim Strip - 3"			(Incl. Stand-offs)
17	4133700	Handle Assy, SS OBR Standoff-Ref		4133712	Handle Assy, OBR Standoff, P
		(Incl. Stand-offs)			(Incl. Stand-offs)
	4133701	Handle Assy, OBR Standoff, B	44	3512160	Standoff, SS Oval, Drwr
		(Incl. Stand-offs)		3512161	Standoff, Oval, B
	4133702	Handle Assy, OBR Standoff, P		3512162	Standoff, Oval, P
		(Incl. Stand-offs)	45	6110540	Bolt, #10-24 x 1/2 Flat Socket HD
18	3512150	Standoff, SS Oval	46	3511520	Handle Mounting Stud
	3512151	Standoff, Oval, B	47	6110730	Set Screw #10-32 x 1/4 SS Cone
	3512152	Standoff, Oval, P	48	3212170	Door Gasket, Fre.



611-2 DOOR VIEW (Starting with Serial #2354455)

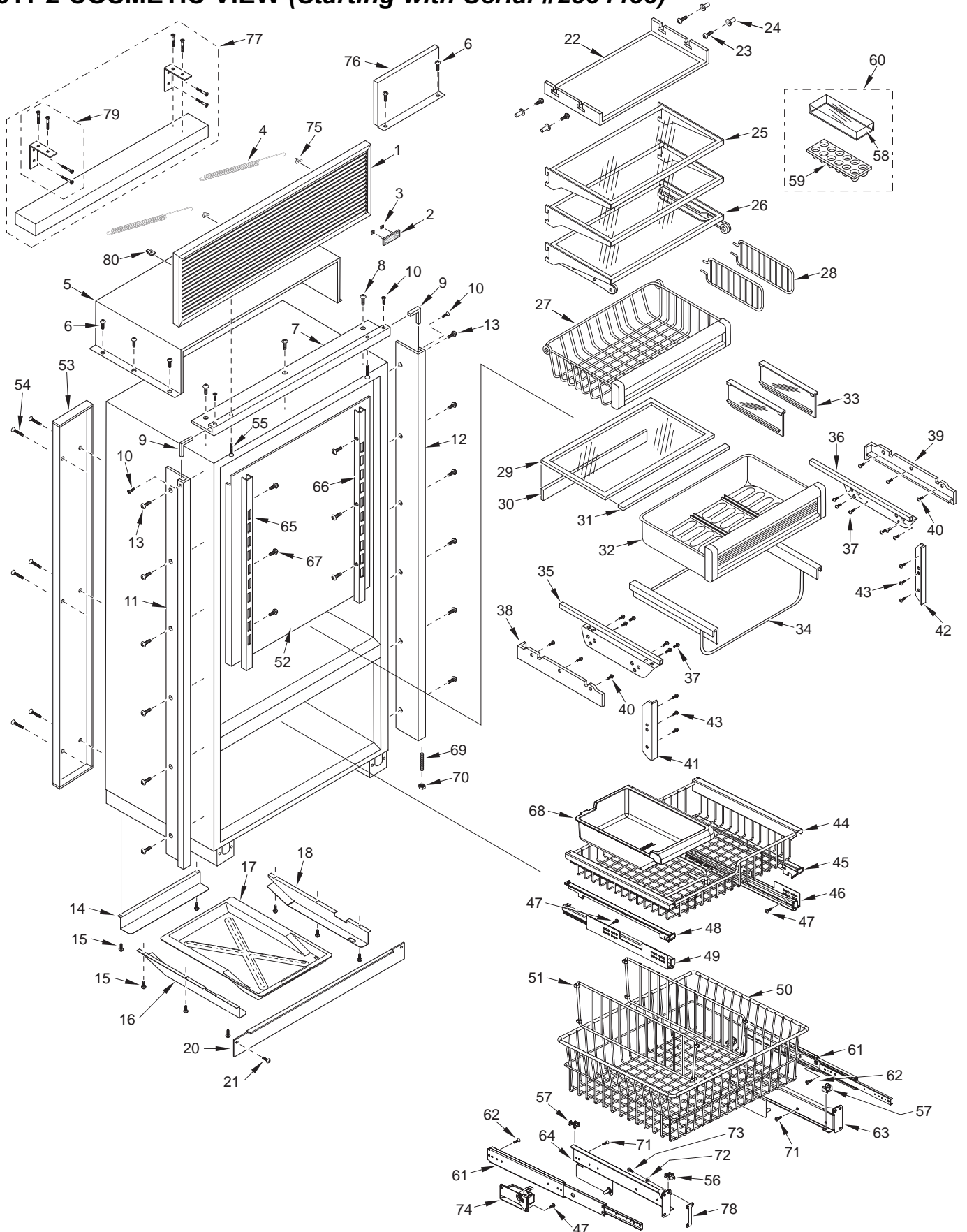


611-2 COSMETIC PARTS LIST (Starting with Serial #2354455)

Ref #	Part #	Description	Ref #	Part #	Description
1	6LG3011	Louvered Grille Assy, 30" x 11"	30	3211770	Crisper Glass Seal, Rear
	6PG3011	Panel Grille Assy, 30" x 11"	31	3211740	Crisper Glass Seal, Front
	6SG3011/S	SS Grille, 30X11-CLSC	32	4181460	High Humidity Drawer Assembly
	6SG3011/B	SS Grille 30X11-Carbon	33	3413100	Drawer Divider
	6SG3011/P	SS Grille 30X11-Platinum	34	3421760	Humidity Drawer Slide-Frame
2	3580210	Name Plate, Stick-on (See SN Breaks)	35	4181412	Top Crisper Slide Assembly, Wide-LH
	3580211	Nameplate, B, P (See SN Breaks)		4181421	Top Crisper Slide Assembly, Narrow-RH
	3580230	Name Plate w/ Pegs (See SN Breaks)	36	4181411	Top Crisper Slide Assembly, Wide-RH
	3580270	Logo, Stainless 3 1/2" (Stick-on)		4181422	Top Crisper Slide Assembly, Narrow-LH
	3580280	Logo, Framed 3 1/2" (w/ Pegs)	37	6201270	Screw, #8-18 x 5/8" PH PN SS-Gnd
	3580290	Logo, Carbon 3 1/2", (Stick-on)	38	3421711	Top Crspr Glass Support, Narrow-RH
3	6150140	Spring Grip Nut, 1/8"		3421722	Top Crisper glass Support, Wide-LH
4	3450900	Grille spring	39	3421712	Top Crisper Glass Support, Narrow-LH
5	4281260	Unit Shroud Assembly		3421721	Top Crisper Glass Support, Wide-RH
6	6201270	Screw, #8-18 x 5/8" PH PN SS-Gnd	40	6201130	Screw, #8x 1/2" PH FL HD SS
7	2234018	Frame, Main Top 30 LH	41	3421741	Crisper Filler Strip, Narrow (if RH)
	3517016	Frame, Main Top 30-LH, B		3421742	Crisper Filler Strip, Wide (if LH)
	3517041	Frame, Main Top 30-LH, P	42	3421741	Crisper Filler Strip, Narrow (if LH)
	2234017	Frame, Main Top 30 RH		3421742	Crisper Filler Strip, Wide (if RH)
	3517015	Frame, Main Top 30-RH, B	43	6201270	Screw, #8-18 x 5/8" PH PN SS-Gnd
	3517040	Frame, Main Top 30-RH, P	44	3414680	Basket, Fre Upr
8	6200010	Screw, #10-12 x 3/4" Pan HD	45	3422331	Retainer, Upper Fre Basket RH
9	2210701	Main Frame Angle	46	3414611	Slide, Full Ex Quadro 18" V6+ RH
10	6200070	Screw, #4-24 x 3/8" Flat HD	47	6110030	Bolt, #10-24 x 1/2", Round Head
	6200071	Screw, #4-24X3/8 Flat Hd, B	48	3422332	Retainer, Upper Fre Basket LH
11	2234004	Frame, Main Left-RH	49	3414612	Slide, Full Ex Quadro 18" V6+ LH
	3517004	Frame, Main Side Left-RH, B	50	3414700	Basket, Fre Lwr
	3517029	Frame, Main Side Left-RH, P	51	3414760	Divider, Lwr Basket
	2234027	Frame, Main Side Left-LH	52	0201260	Refrig Evap Cover
	3517025	Frame, Main Side Left-LH, B	53	0261640	Duct, Back
	3517050	Frame, Main Side Left-LH, P	54	6201060	Screw, #8x1-1/4" PH FLAT TAP
12	2234006	Frame, Main Side Right-LH	55	6201310	Screw, #8 x 1-3/4" Flat PH HD
	3517006	Frame, Main Side Right-LH, B		6201311	Screw, #8X1-3/4 Flt Ph Hd, B
	3507031	Frame, Main Side Right-LH, P	56	3422341	Retainer, Lower Fre Basket RH
	2234026	Frame, Main Side Right-RH	57	3422342	Retainer, Lower Fre Basket LH
	3517024	Frame, Main Side Right-RH, B	58	3412280	Egg Tray Cover
	3517049	Frame, Main Side Right-RH, P	59	3412270	Egg Tray
13	6201550	Screw, #8-18 Lw Prfl	60	4131810	Egg Tray with Cover
14	0262020	Support, Drain Pan, Rear	61	3414590	Slide, Full Extension 18"
15	6200010	Screw, #10-12 x 3/4" Pan HD	62	6110970	Machine Screw, 1/4-20 X 1 #10FL
16	0262010	Support, Drain Pan, LH	63	3422321	Rail Assy, Drawer Slide Right
17	2120121	Pan, Drain Vac Form	64	3422322	Rail Assy, Drawer Slide Left
18	0262000	Support, Drain Pan, RH	65	3601821	Refrig. shelf ladder, Right
19	3550300	Glide, Rear Drawer 1/2X1/4	66	3601822	Refrig. shelf ladder, Left
20	0260710	Kickplate	67	6200710	Screw, #8-18 x 3/8" Fillister HD
	0168570	Kickplate, Stainless Steel	68	3414740	Bucket, Ice
	0168571	Kickplate, Solid-30", B	69	3550190	Bottom Hinge Stud
	0168572	Kickplate, Solid-30", P	70	6150200	Nut, 1/4-20 Hex
21	6200050	Screw, #10-12 Pan Hd	71	6111020	Mach Screw, #10-24X3/8 UN FL HD
	6200720	Screw, #8-18x1/2 Ph Tr Hd (SS Model)	72	6240340	Washer, Flat 1/4X5/8 X .045 SS
22	4162580	Refrig. Light Diffuser Assembly	73	6110980	Cap Screw, 1/4-20X3/4 Button HD
23	6201330	Screw, #8-18 x 5/8" PH PN SS-Gnd	74	3541320	Closer, Drawer LH
24	3520420	Insert / Diffuser Stand-off	75	3450520	Grille Hook
25	3601891	Glass Shelf, Spill Proof	76	4281270	Compsr Shroud Assy
26	4181560	Refrig. Roll-out Shelf Assy	77	4201310	Blocking Components; 30"
27	4181540	Refrig. Roll-out Basket Assy	78	0187010	Spacer, Drawer Rail
28	3411160	Ref Roll-Out Bskt Divider	79	4201340	Blocking Hardware Package
29	4151770	Crisper Glass Assembly (Incl. Seals)	80	6150140	Spring Grip Nut, 1/8"



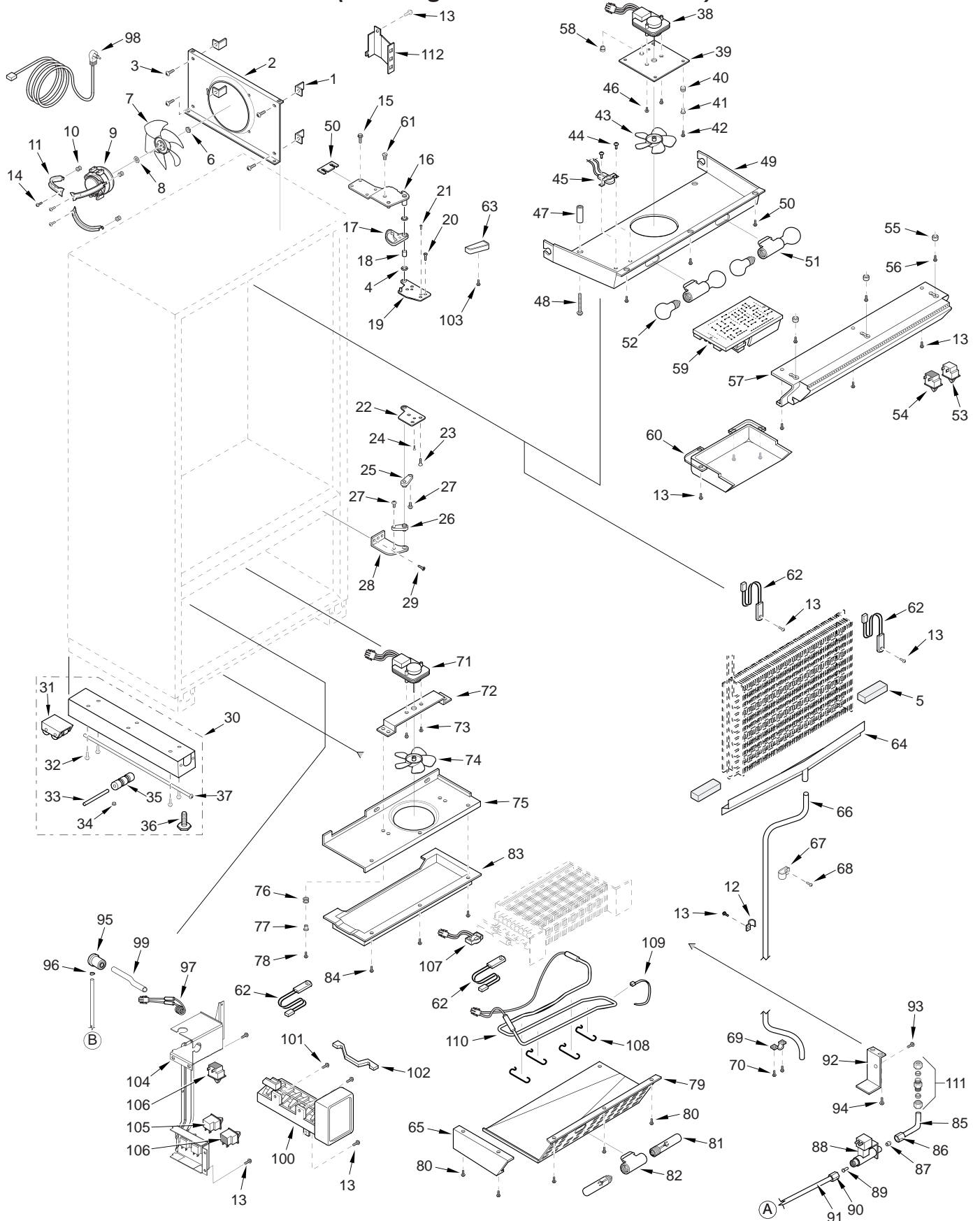
611-2 COSMETIC VIEW (Starting with Serial #2354455)



611-2 MECHANICAL PARTS LIST (Starting with Serial #2354455)

Ref #	Part #	Description	Ref #	Part #	Description
1	3450290	Bracket, Angle #8a	52	3030030	Light Bulb, 40 Watt
2	0261220	Shroud, Cond Fan	53	3060130	SPST Fan/Icemaker Switch (White)
3	6200010	Screw, #10-12 x 3/4" Pan HD		3060131	Switch, Rocker N.O. Black
4	3430120	Bushing, Door	54	3060140	SPST Light Switch (White)
5	6231490	Tape, Foam XLPE		3060141	Switch, Rocker N.C. Black
6	6150410	Nut, 1/4-20	55	6160240	Nylon Spacer
7	3150800	Blade, Condenser Forward-SW	56	6200720	Screw, #8-18 x 1/2 PH Truss HD
8	3210340	Neoprene Silencer, 7/8"	57	4161922	Control Panel Assy
9	4200740	Motor Pkg, Cond Fan (blade not incl.)	58	3220300	Bushing, Strain Relief RT Angle
10	3220360	Grommet, Mtg Brkt	59	4203790	Control Board Pkg
11	0261150	Bracket, Cond Fan Mounting (3)	60	4152050	Cover Assy, Control
12	6120050	Tube Clamp, Plastic, 5/8"	61	3550770	90° Stop Pin
13	6201270	Screw, #8-18 x 5/8" PH PN SS-Gnd	62	4204150	Thermistor, ASM Srvc Pkg
14	6200490	Screw, #8-32 x 3/8" Slotted Hex T25	63	3541017	Top Cabinet Hinge Cover, RH
15	6110070	Bolt, 1/4-20x3/4 Spinlock Zinc		3541211	Cover, Top Cabinet Hinge-RH,B
16	4151831	Upper Cabinet Hinge - RH		3541213	Cover, Top Cabinet Hinge-RH, P
	4151833	Hinge Assy, Upr Cab-RH, B		3541018	Top Cabinet Hinge Cover, LH
	4151832	Upper Cabinet Hinge - LH		3541212	Cover, Top Cabinet Hinge-LH,B
	4151834	Hinge Assy, Upr Cab-LH, B		3541214	Cover, Top Cabinet Hinge-LH, P
17	3421800	Door Stop Cam	64	0212630	Drain Trough, Ref
	3421801	Cam, Door Stop, B	65	0234300	Fre Evap. Cvr Lft Side
18	3421790	Bearing, Top Door Hinge	66	1601400	Drain Tube, Wire - 1/2" x 72"
19	4151841	Hinge, Door Top - RH	67	6120050	Tube Clamp, Plastic, 5/8"
	4151843	Hinge Assy,Door-Top RH, B	68	6200120	Screw, #10-12 x 1/2" Truss HD
	4151842	Hinge, Door Top - LH	69	6120210	U-Clamp, 5/8"
	4151844	Hinge Assy,Door-Top LH, B	70	6200010	Screw, #10-12 x 3/4" Pan HD
20	6110540	Bolt, #10-24 x 1/2" Flat Socket HD	71	4200160	Freezer Fan Motor Pkg. (Blade not Incl.)
21	6200390	Screw, #6 x 3/8" T25 Flat Head PH	72	0232280	Fan Bracket, Fre
22	0182381	Door Hinge, Bottom; RH	73	6110270	Bolt, #10-32 x 1/4" RD HD
	0182383	Hinge, Bottom Door-RH, B	74	3150640	Fan blade, Ref/Fre Evap.
	0182382	Door Hinge, Bottom; LH	75	4281500	Shroud Assy, Fre Evap
	0182384	Hinge, Bottom Door-LH, B	76	3220250	Grommet, 3/16" x 7/16" x 9/32"
23	6110540	Bolt, #10-24 x 1/2" Flat Socket HD	77	3520120	Brass Insert, Fan Bracket
24	6200390	Screw, #6 x 3/8" T25 Flat Head PH	78	6200670	Screw, #6-18 x 3/4" Tek
25	3420690	Bottom Door Hinge Cam	79	0235220	Cover, Fre Evap
	3420691	Cam, Top Door Closer, B	80	6200120	Screw, #10-12 x 1/2" Truss HD
26	3420681	Bottom Cabinet Hinge Cam, RH	81	3030040	Light Bulb, Long/Narrow; 40 watt
	3420683	Cam, Bottom Door Closer-RH, B	82	3050220	Socket, Light Base Sngl (See SN Breaks)
	3420682	Bottom Cabinet Hinge Cam, LH	83	0234890	Fre Air Duct Assy
	3420684	Cam, Bottom Door Closer-LH, B	84	6200120	Screw, #10-12 x 1/2" Truss HD
27	6110270	Bolt, #10-32 x 1/4" RD HD	85	2600297	Tube, Copper L-Shaped
	6110271	Bolt, #10-32x1/4 RD HD, B	86	3520380	Compression Nut
28	4152011	Cabinet Hinge, Bot - RH	87	3520370	Compression Sleeve
	4152013	Hinge Assy, Lower-RH, B	88	4202790	Water Valve
	4152012	Cabinet Hinge, Bot - LH	89	3520050	Brass Insert, Solenoid
	4152014	Hinge Assy, Lower-LH, B	90	3520030	Icemaker Nylon Nut, 1/4"
29	6110010	Bolt, #10-24 x 1/2" Flat Head UC	91	2600617	Plastic Water Line
30	4110353	Base Assy (w/rollers)	92	0168160	Solenoid Water Valve Bracket
31	4110331	Base Rear Roller Assy	93	6200780	Screw, #10-24 x 1/2" PH Hex Washer
32	6200010	Screw, #10-12 x 3/4" Pan HD	94	6201270	Screw, #8-18 x 5/8" PH PN SS-Gnd
33	3550560	Straight Pin, Base Assy, .312" x 2.88"	95	1607700	Water Inlet Tube
34	3450620	Canoe Clip	96	6220470	Fill Tube Clamp
35	3421240	Cabinet Roller (Single)	97	3070210	Heater, Fill Tube
36	3570050	Leveling Leg, #18-3/8 x 1"	98	3025560	Cord Assy, Power Supply
37	6110580	Adjusting Screw	99	2605410	Water Inlet Tube Extension
38	4200170	Refrig. Fan Motor Pkg. (Blade not Incl.)	100	4200522	Icemaker Assembly
39	0211620	Refrigerator Fan Bracket	101	6200120	Screw, #10-12 x 1/2" Truss HD
40	3220250	Grommet, 3/16" x 7/16" x 9/32"	102	3140400	Icemaker Rudder Arm
41	3520410	Brass Insert, Fan	103	6200140	Screw, #8-15 x 3/8" Truss HD
42	6110270	Bolt, #10-32 x 1/4" RD HD	104	4163071	Switch Assy, Fre Srvc
43	3150640	Fan blade, Ref/Fre Evap.	105	3060140	SPST Light Switch
44	6180010	Pop Rivet, 1/8"	106	3060130	SPST Fan/Icemaker Switch
45	3082140	Light Terminator	107	3082060	Defrost Terminator-55/30 Deg.
46	6110270	Bolt, #10-32 x 1/4" RD HD	108	1801100	Heater Clip
47	6220540	Screw Grommet / Stand-off	109	6120340	Aluminum Strap
48	6201010	Screw, #8-15 x 2" Pan Head	110	4325190	Defrost Heater Assy
49	4161970	Refrig. Fan Shroud Assy	111	3520250	Water Inlet Fitting Assy
50	0168680	Shim - Hinge	112	0260740	Bracket, Condenser Shroud
51	3050250	Skt, Light MBase DbI			

611-2 MECHANICAL VIEW (Starting with Serial #2354455)

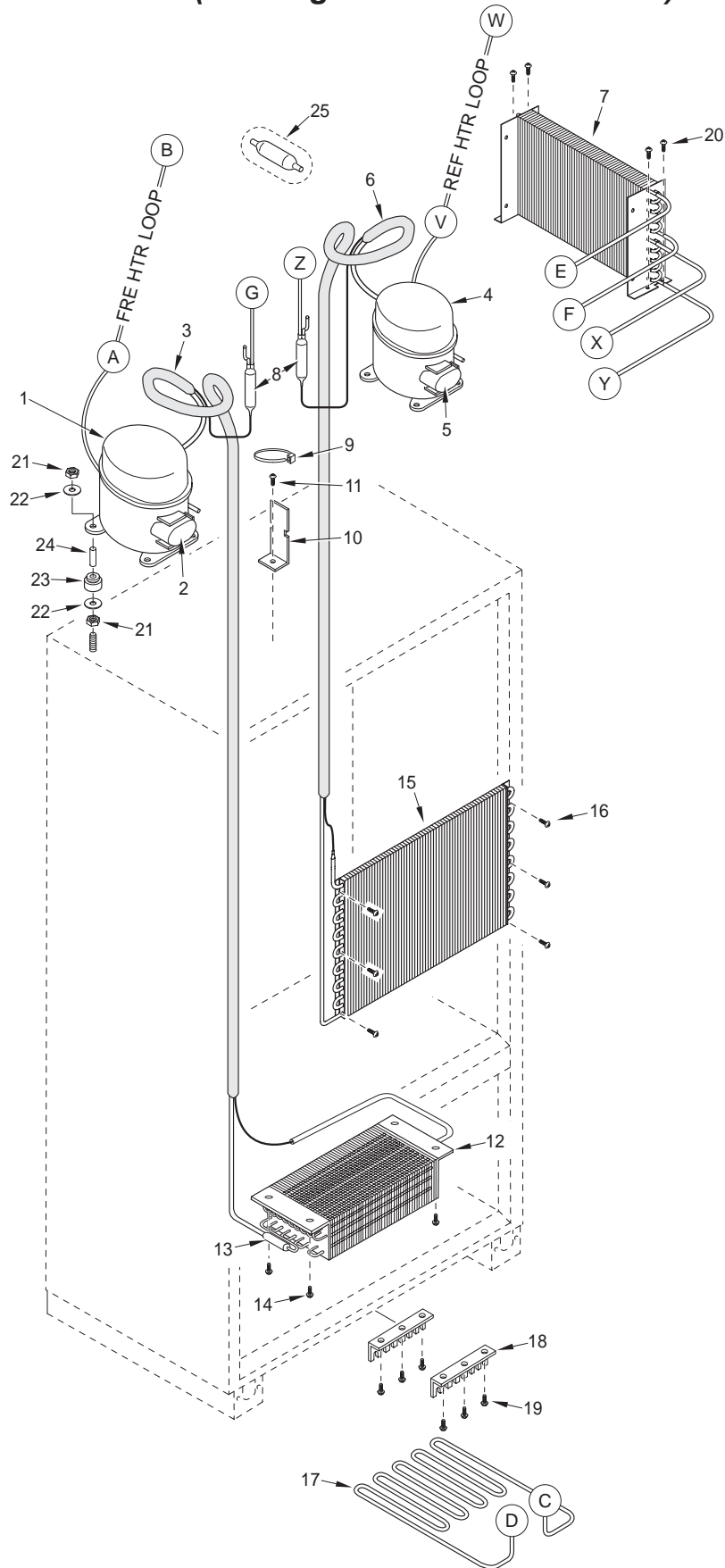


611-2 SEALED SYSTEM PARTS LIST (Starting with Serial #2354455)

<u>Ref #</u>	<u>Part #</u>	<u>Description</u>
1	4202280	Compressor, (EMI60HER)
2	3112210	Electrical Assy, DC51C (Used w/DC51 Production Comp)
	3112500	Capacitor, 12MF (Used w/DC51 Production Comp)
	3111460	Relay, (1351408) (Used with EMI60HER Srvc Comp)
	3111470	Overload, (4TM757NFB) (Used with EMI60HER Srvc Comp)
3	4251350	Heat Exchanger, Freezer
4	4201880	Compressor, Refrig. (EMI30HER)
5	3112212	Electrical Assy, EMT30HSC Comp (Used w/EMT30HSC Production Comp)
	3112500	Capacitor, 12MF (Used w/EMT30HSC Production Comp)
	3111370	Relay, (1351400) (Used with EMI30HER Srvc Comp)
	3111410	Overload, (4TM734LFB) (Used with EMI30HER Srvc Comp)
6	4251570	Heat Exchanger, Refrigerator
7	3120480	Condenser, Dual
8	3014230	Filter-Drier, High Side
9	6120170	Locking Cable Tie, Red, 11-1/2"
10	0168040	Drier Bracket
11	6201270	Screw, #8-18 x 5/8" PH PN SS-Gnd
12	3130600	Evaporator Coil, Fre
13	3011130	Freezer Accumulator
14	6200120	Screw, #10-12 x 1/2" Truss HD
15	3130630	Evaporator, Refrig.
16	6201270	Screw, #8-18 x 5/8" PH PN SS-Gnd
17	2600138	Drain Pan Heater Loop
18	3421410	Drain Pan Heater Loop Support
19	6200010	Screw, #10-12 x 3/4" Pan HD
20	6200010	Screw, #10-12 x 3/4" Pan HD
21	6150220	Nut, 5/16-18 Hex Zinc
22	6240050	Flat Washer, 5/16"
23	3150010	Rubber Grommet, Small, 5/8"
	3150170	Rubber Grommet, Large, 15/16"
24	6160030	Spacer, 5/16 x 7/16 x 5/8"
	6160070	Sleeve, 5/16 x 7/16 x 7/8"
25	3014100	Suction Line Drier (Service Only)



611-2 SEALED SYSTEM VIEW (Starting with Serial #2354455)

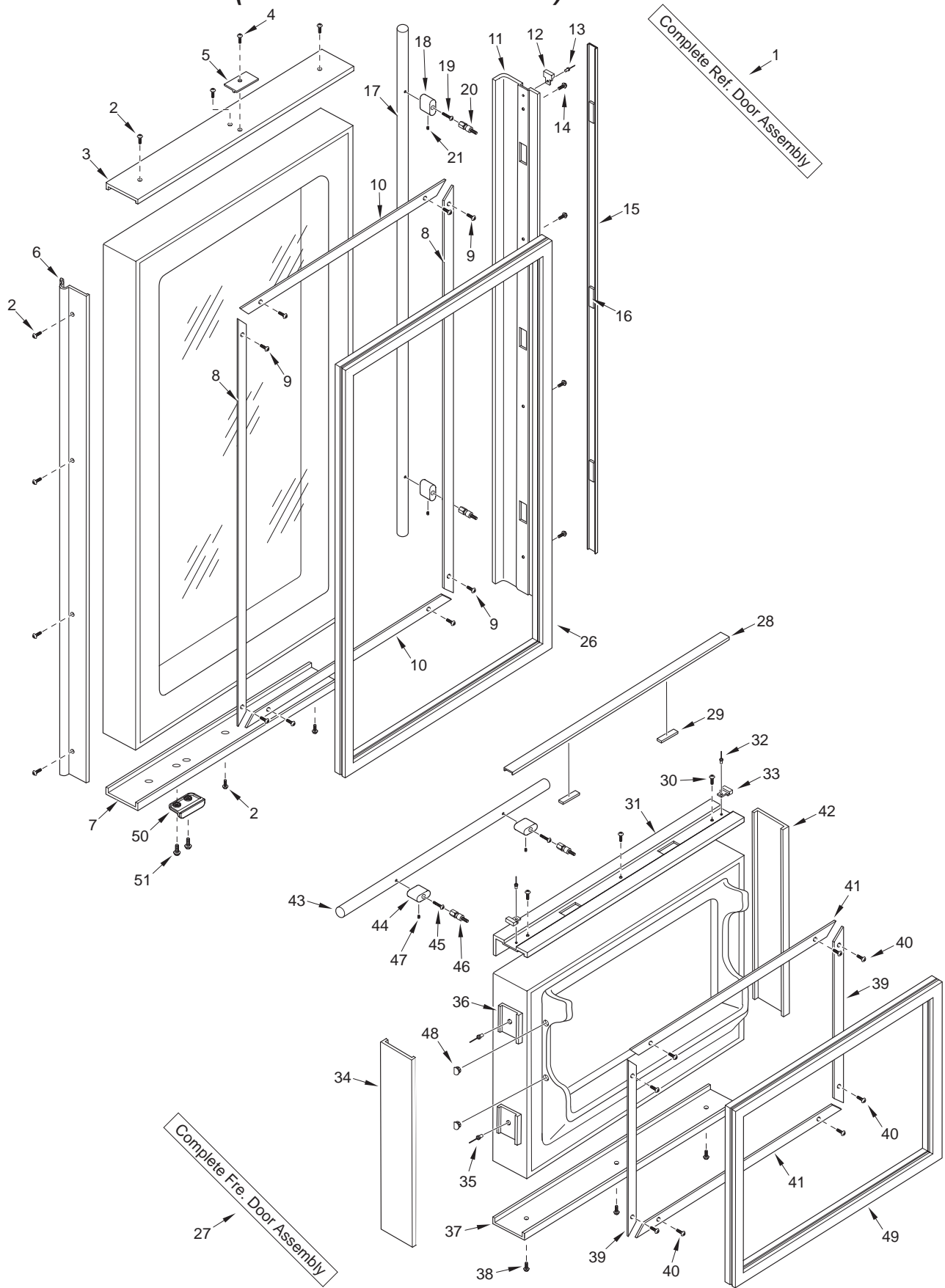


611G-2 DOOR PARTS LIST (Prior to Serial #2354455)

Ref #	Part #	Description	Ref #	Part #	Description
1	4134655	Door Assy,Ref 611G Frmd/Overlay-RH	18	3512150	Standoff, SS Oval
	4134656	Door Assy,Ref 611G Frmd/Overlay-LH		3512151	Standoff,Oval, B
	4134657	Door Assy,Ref 611HAG Frmd/Olay-RH		3512152	Standoff,Oval, P
	4134658	Door Assy,Ref 611HAG Frmd/Olay-LH	19	6110540	Bolt, #10-24 x 1/2 Flat Socket HD
	4134665	Door Assy, Ref 611G SS-RH	20	3511520	Handle Mounting Stud
	4134666	Door Assy, Ref 611G SS-LH	21	6110730	Set Screw #10-32 x 1/4 SS Cone
	4134667	Door Assy, Ref 611HAG SS-RH	22	NA	
	4134668	Door Assy, Ref 611HAG SS-LH	23	NA	
	4135613	Door Assy, SRVC, 611G-RH, B	24	NA	
	4135614	Door Assy, SRVC, 611G-LH, B	25	NA	
	4135623	Door Assy, SRVC, 611HAG-RH, B	26	3212160	Door Gasket, Refrigerator
	4135624	Door Assy, SRVC, 611HAG-LH, B	27	4133145	Freezer Drawer Assy-Frame/Overlay
	4135813	Door Assy, SRVC, 611G-RH, P		4133285	Freezer Drawer Assy-Stainless Steel
	4135814	Door Assy, SRVC, 611G-LH, P		4134860	Drawer Assy, 611, B
	4135823	Door Assy, SRVC, 611HAG-RH, P		4135010	Drawer Assy, 611, P
	4135824	Door Assy, SRVC, 611HAG-LH, P	28	4132380	Handle/Trim Molding Assy, Freezer
NOTE:	Door Assy's incl. Wire Harness / Top Hinge Assy, do NOT incl. bottom hinge Assy or handle.		29	3451140	Magnet, Trim Strip
2	6200720	Screw, #8-18 x 1/2 Ph Truss Hd	30	6201300	Tapping Screw, #8 x 1/2
	6200721	Screw, #8-18X1/2 Ph Low Prfl, B	31	4132260	Drawer Handle Assy, Freezer (Framed)
3	2230610	Refrig. Door Trim, Top - RH		4132360	Handle-Side Door Trim, Freezer (Overlay)
	2230611	Refrig. Door Trim, Top - LH	32	6180160	Rivet, Open End Blind, 1/8 x 3/16
4	6200720	Screw, #8-18 x 1/2 Ph Truss Hd	33	3413340	Handle/Trim End Cap
	6200721	Screw, #8-18X1/2 Ph Low Prfl, B	34	2230701	Fre Drawer Trim, Rt Side
5	4200940	Switch Depressor (Includes Screw)	35	6180040	Pop Rivet, 3/16 x 1/8 Grip
	3421381	Depressor, Switch, B (Screw not Incl.)	36	3450460	Clip, Door Trim
6	3511140	Door Trim, Hinge Side - (SS Model)	37	2230614	Freezer Drawer Trim, Bottom
	3511141	Door Trim, Hinge Side - Mitered Corner	38	6200720	Screw, #8-18 x 1/2 Ph Truss Hd
	3512231	Trim, Door Hinge Side-Carbon		6200721	Screw, #8-18X1/2 Ph Low Prfl, B
	3512232	Trim, Door Hinge Side-Platinum	39	3420150	Gasket Retainer, 17.312
7	2230612	Refrig. Door Trim, Bottom - RH	40	6200410	Screw, #8 x 1/2 Slot Head Hex
	2230613	Refrig. Door Trim, Bottom - LH	41	3420200	Gasket Retainer, 27.062
8	3420240	Gasket Retainer, Side Ref, 47.438	42	2230702	Fre Drawer Trim, Lt Side
9	6200410	Screw, #8 x 1/2 Slot Head Hex	43	4133710	Handle Assy, Obr Standoff-Fre
10	3420200	Gasket Retainer, 27.062		4133711	(Incl. Stand-offs)
11	4132240	Door Handle Assy, Refrig. (Framed)		4133712	Handle Assy, OBR Standoff, B
	4132340	Handle-side Door Trim, Refrig. (Overlay)			(Incl. Stand-offs)
12	3413340	Handle/Trim End Cap			Handle Assy, OBR Standoff, P
13	6180160	Rivet, Open End Blind, 1/8 x 3/16	44	3512160	(Incl. Stand-offs)
14	6201300	Tapping Screw, #8 x 1/2		3512161	Standoff, SS Oval
15	4131870	Handle/Trim Molding Assy, Refrig.		3512162	Standoff, Oval, B
16	3451140	Magnet, Trim Strip			Standoff, Oval, P
17	4133700	Handle Assy, SS OBR Standoff-Ref	45	6110540	Bolt, #10-24 x 1/2 Flat Socket HD
		(Incl. Stand-offs)	46	3511520	Handle Mounting Stud
	4133701	Handle Assy, OBR Standoff, B	47	6110730	Set Screw #10-32 x 1/4 SS Cone
		(Incl. Stand-offs)	48	3550230	White Plastic Plug, 3/4
	4133702	Handle Assy, OBR Standoff, P	49	3212170	Door Gasket, Fre.
		(Incl. Stand-offs)	50	3430100	Closer, Door-Door Side
			51	6110060	Bolt, #10-32 x 5/8", Truss Head



611G-2 DOOR VIEW (Prior to Serial #2354455)

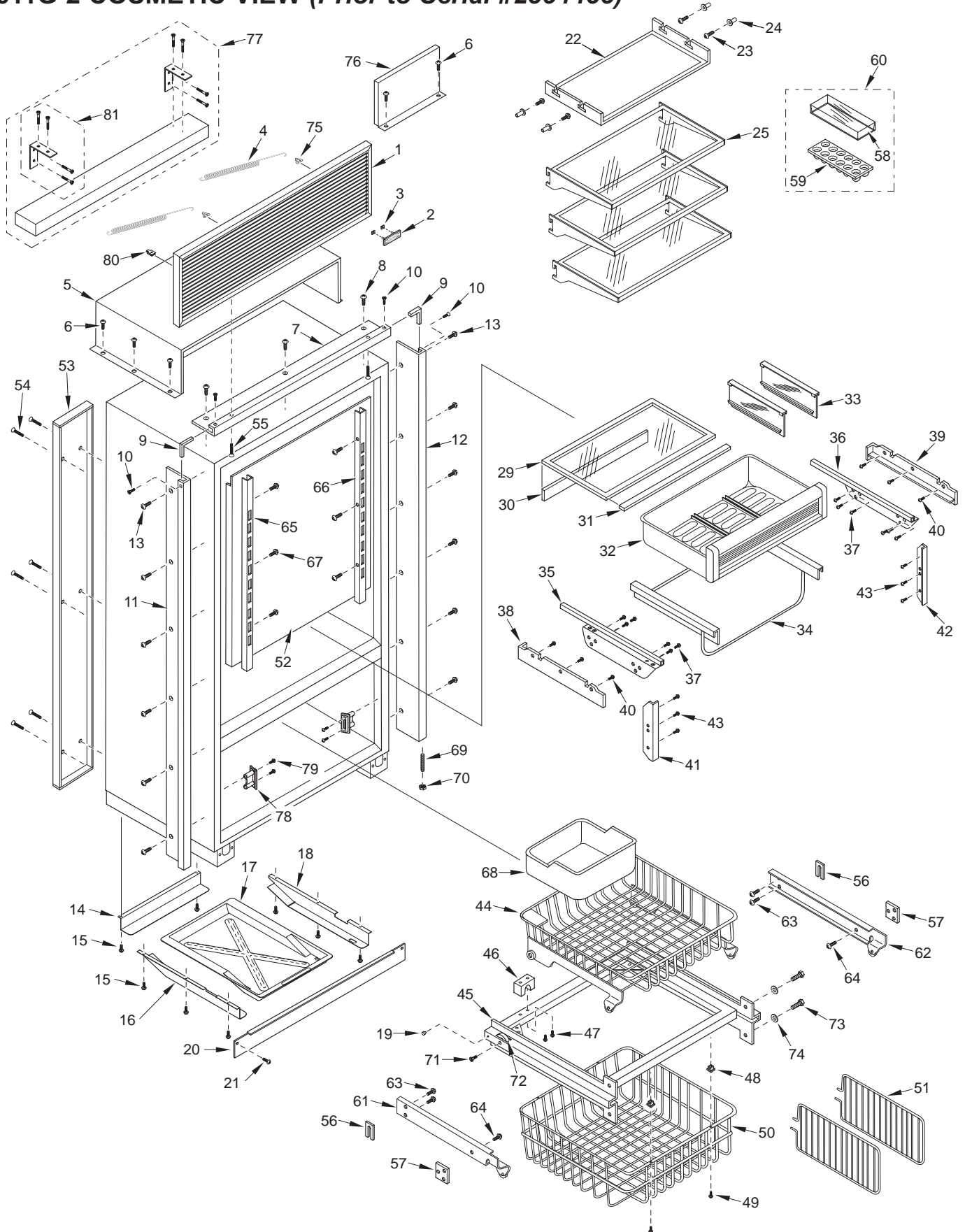


611G-2 COSMETIC PARTS LIST (Prior to Serial #2354455)

Ref #	Part #	Description	Ref #	Part #	Description
1	6LG3011	Louvered Grille Assy, 30" x 11"	32	4181460	High Humidity Drawer Assembly
	6PG3011	Panel Grille Assy, 30" x 11"	33	3413100	Drawer Divider
	6SG3011/S	SS Grille, 30X11-CLSC	34	3421760	Humidity Drawer Slide-Frame
	6SG3011/B	SS Grille 30X11-Carbon	35	4181412	Top Crisper Slide Assembly, Wide-LH
	6SG3011/P	SS Grille 30X11-Platinum		4181421	Top Crisper Slide Assembly, Narrow-RH
2	3580210	Name Plate, Stick-on (See SN Breaks)	36	4181411	Top Crisper Slide Assembly, Wide-RH
	3580211	Nameplate, B, P (See SN Breaks)		4181422	Top Crisper Slide Assembly, Narrow-LH
	3580230	Name Plate w/ Pegs (See SN Breaks)	37	6201270	Screw, #8-18 x 5/8" PH PN SS-Gnd
	3580270	Logo, Stainedless 3 1/2" (Stick-on)	38	3421711	Top Crspr Glass Support, Narrow-RH
	3580280	Logo, Framed 3 1/2" (w/ Pegs)		3421722	Top Crisper glass Support, Wide-LH
	3580290	Logo, Carbon 3 1/2", (Stick-on)	39	3421712	Top Crisper Glass Support, Narrow-LH
3	6150140	Spring Grip Nut, 1/8"		3421721	Top Crisper Glass Support, Wide-RH
4	3450900	Grille spring	40	6201130	Screw, #8x 1/2" PH FL HD SS
5	4281260	Unit Shroud Assembly	41	3421741	Crisper Filler Strip, Narrow (if RH)
6	6201270	Screw, #8-18 x 5/8" PH PN SS-Gnd		3421742	Crisper Filler Strip, Wide (if LH)
7	2234007	Frame, Main Top 30 - RH	42	3421741	Crisper Filler Strip, Narrow (if LH)
	3517007	Frame, Main Top 30-RH, B		3421742	Crisper Filler Strip, Wide (if RH)
	3517032	Frame, Main Top 30-RH, P	43	6201270	Screw, #8-18 x 5/8" PH PN SS-Gnd
	2234008	Frame, Main Top 30 - LH	44	4181950	Upper Fre Basket Assy
	3517008	Frame, Main Top 30-LH, B	45	4181910	Drawer Slide Assy, Fre
	3517033	Frame, Main Top 30-LH, P	46	3420950	Upper Freezer Basket Restraint
8	6200010	Screw, #10-12 x 3/4" Pan HD	47	6200340	Screw, #6-20 x 1/2" Pan Head
9	2210701	Main Frame Angle	48	6220110	Screw Grommet, 1/2" x 9/16"
10	6200070	Screw, #4-24 x 3/8" Flat HD	49	6200130	Screw, #8-18 x 3/4" Truss HD
	6200071	Screw, #4-24X3/8 Flat Hd, B	50	3413980	Lower Freezer Basket
11	2234013	Frame, Main Side Left - RH	51	3413700	Lower Fre Bskt Divider
	3517004	Frame, Main Side Left-RH, B	52	0201260	Refrig Evap Cover
	3517029	Frame, Main Side Left-RH, P	53	0261640	Duct, Back
	2234014	Frame, Main Side Left - LH	54	6201060	Screw, #8x1-1/4" PH FLAT TAP
	3517012	Frame, Main Side Left-LH, B	55	6201310	Screw, #8 x 1-3/4" Flat PH HD
	3517037	Frame, Main Side Left-LH, P		6201311	Screw, #8X1-3/4 Flt Ph Hd, B
12	2234011	Frame, Main Side Right - RH	56	0232310	Drawer Slide Shim, Rear
	3517011	Frame, Main Side Right-RH, B	57	0232300	Drawer Slide Shim, Front - .060"
	3517036	Frame, Main Side Right-RH, P		2121180	Shim, Freezer Drawer Front-.030"
	2234012	Frame, Main Side Right - LH	58	3412280	Egg Tray Cover
	3517006	Frame, Main Side Right-LH, B	59	3412270	Egg Tray
	3507031	Frame, Main Side Right-LH, P	60	4131810	Egg Tray with Cover
13	6201550	Screw, #8-18 Lw Prfl	61	4181801	Cab Slide Assy, Fre; RT
14	0262020	Support, Drain Pan, Rear	62	4181802	Cab Slide Assy, Fre; LT
15	6200010	Screw, #10-12 x 3/4" Pan HD	63	6110330	Screw, #10-32 x 1/4" Chrome Plate
16	0262010	Support, Drain Pan, LH	64	6200590	Screw, #12 x 1" Type A Zinc Flat HD
17	2120121	Pan, Drain Vac Form	65	3601821	Refrig. shelf ladder, Right
18	0262000	Support, Drain Pan, RH	66	3601822	Refrig. shelf ladder, Left
19	3550300	Glide, Rear Drawer 1/2X1/4	67	6200710	Screw, #8-18 x 3/8" Fillister HD
20	0260710	Kickplate	68	3411340	Ice Bucket
	0168570	Kickplate, Stainless Steel	69	3550190	Bottom Hinge Stud
	0168571	Kickplate, Solid-30", B	70	6150200	Nut, 1/4-20 Hex
	0168572	Kickplate, Solid-30", B	71	6110260	Bolt, 1/4-20 x 1/2" Flat HD
21	6200050	Screw, #10-12 Pan Hd	72	3420900	Roller Bearing
	6200720	Screw, #8-18x1/2 Ph Tr Hd (SS Model)	73	6110450	Bolt, 1/4-20 x 1/2" Whiz Lock
22	4162580	Refrig. Light Diffuser Assembly	74	6240040	Flat Washer, 1/4"
23	6201330	Screw, #8-18 x 5/8" PH PN SS-Gnd	75	3450520	Grille Hook
24	3520420	Insert / Diffuser Stand-off	76	4281270	Compsr Shroud Assy
25	3602330	Shelf, Glass Cantilever	77	4201310	Blocking Components; 30"
26	NA		78	3421860	Grommet, Spprt Insul.
27	NA		79	6200010	Screw, #10-12 x 3/4" Pan HD
28	NA		80	6150140	Spring Grip Nut, 1/8"
29	4151770	Crisper Glass Assembly (Incl. Seals)	81	4201340	Blocking Hardware Package
30	3211770	Crisper Glass Seal, Rear			
31	3211740	Crisper Glass Seal, Front			



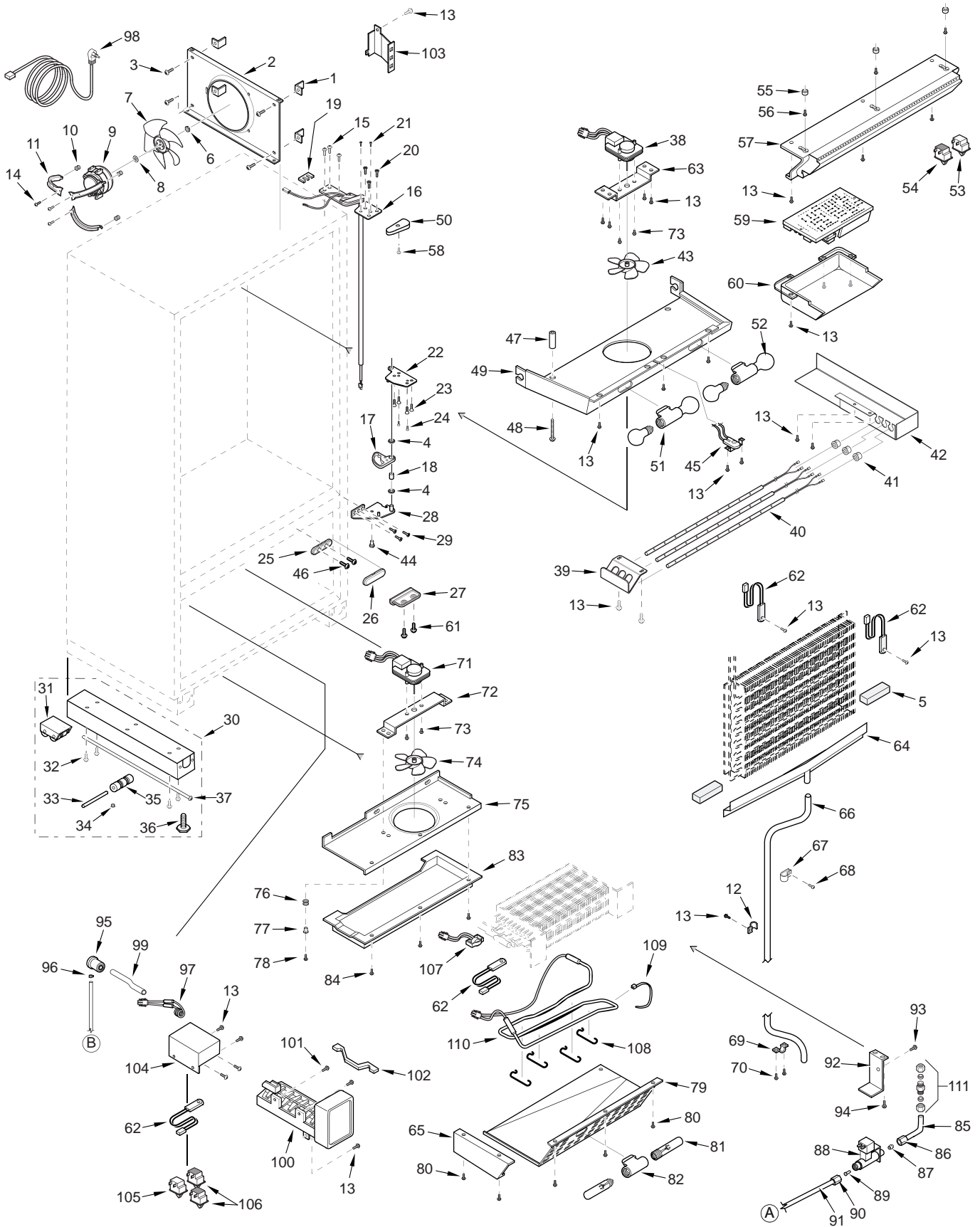
611G-2 COSMETIC VIEW (Prior to Serial #2354455)



611G-2 MECHANICAL PARTS LIST (Prior to Serial #2354455)

Ref #	Part #	Description	Ref #	Part #	Description
1	3450290	Angle Bracket	51	3050250	Socket, Light Med Base Double
2	0261220	Shroud, Cond Fan	52	3030030	Light Bulb, 40 Watt
3	6200010	Screw, #10-12 x 3/4" Pan HD	53	3060130	SPST Fan/Icemaker Switch (White)
4	3430120	Bushing, Door		3060131	Switch, Rocker N.O. Black
5	6231490	Tape, Foam XLPE	54	3060140	SPST Light Switch (White)
6	6150410	Nut, 1/4-20		3060141	Switch, Rocker N.C. Black
7	3150800	Blade, Condenser Forward-SW	55	6160240	Nylon Spacer
8	3210340	Neoprene Silencer, 7/8"	56	6200720	Screw, #8-18 x 1/2 PH Truss HD
9	4200740	Motor Pkg, Cond Fan (blade not incl.)	57	4162682	Control Panel Assy, 611G Srvc
10	3220360	Grommet, Mtg Brkt	58	6200140	Screw, #8-15 x 3/8" Truss HD
11	0261150	Bracket, Cond Mounting	59	4203790	Control Board Pkg
12	6120050	Tube Clamp, Plastic, 5/8"	60	4152050	Cover Assy, Control
13	6201270	Screw, #8-18 x 5/8" PH PN SS-Gnd	61	6110060	Bolt, #10-32 x 5/8", Truss Head
14	6200490	Screw, #8-32 x 3/8" Slotted Hex T25	62	4204150	Thermistor, ASM Srvc Pkg
15	6110070	Bolt, 1/4-20x3/4 Spinlock Zinc	63	0212540	Bracket, Fan
16	4325671	WH, Top Hinge Assy - RH	64	0212630	Drain Trough, Ref
	4325673	W/H,Door Hinge 611G-650G/B-RH	65	0234300	Fre Evap. Cvr Lft Side
	4325672	WH, Top Hinge Assy - LH	66	1601400	Drain Tube, Wire - 1/2" x 72"
	4325674	W/H,Door Hinge 611G-650G/B-LH	67	6120050	Tube Clamp, Plastic, 5/8"
17	3421800	Door Stop Cam	68	6200120	Screw, #10-12 x 1/2" Truss HD
	3421801	Cam, Door Stop, B	69	6120210	U-Clamp, 5/8"
18	3421790	Bearing, Door Hinge	70	6200010	Screw, #10-12 x 3/4" Pan HD
19	0168680	Shim - Hinge	71	4200160	Freezer Fan Motor Pkg. (Blade not Incl.)
20	6110540	Bolt, #10-24 x 1/2" Flat Socket HD	72	0232280	Fan Bracket, Fre
21	6200390	Screw, #6 x 3/8" T25 Flat Head PH	73	6110270	Bolt, #10-32 x 1/4" RD HD
22	4151841	Hinge, Door Bottom LH	74	3150640	Fan Blade, Evaporator
	4151843	Hinge Assy,Door-Bot LH, B	75	4281500	Shroud Assy, Fre Evap 611 Srvc
	4151842	Hinge, Door Bottom RH	76	3220250	Grommet, 3/16" x 7/16" x 9/32"
	4151844	Hinge Assy,Door-Bot RH, B	77	3520120	Brass Insert, Fan Bracket
23	6110540	Bolt, #10-24 x 1/2" Flat Socket HD	78	6200670	Screw, #6-18 x 3/4" Teks
24	6200390	Screw, #6 x 3/8" T25 Flat Head PH	79	0235220	Cover, Fre Evap
25	3430110	Closer, Door-Cabinet Side	80	6200120	Screw, #10-12 x 1/2" Truss HD
26	3430140	Cover, Door Closer	81	3030040	Light Bulb, Long/Narrow; 40 watt
27	3430100	Closer, Door-Door Side	82	3050220	Socket, Light Int Base Sngl
28	4152081	Cabinet Hinge, Bot - RH	83	0234890	Fre Air Duct Assy
	4152083	Hinge Assy, Lwr Cabinet-RH, B	84	6200120	Screw, #10-12 x 1/2" Truss HD
	4152082	Cabinet Hinge, Bot - LH	85	2600297	Tube, Copper L-Shaped
	4152084	Hinge Assy, Lwr Cabinet-LH, B	86	3520380	Compression Nut
29	6110810	Screw, Machine #10-24X3/4 PH FT HD	87	3520370	Compression Sleeve
	6110811	Bolt, #10-24X3/4 Ph Flat Hd, B	88	4202790	Water Valve
30	4110353	Base Assy (w/rollers)	89	3520050	Brass Insert, Solenoid
31	4110331	Base Rear Roller Assy	90	3520030	Icemaker Nylon Nut, 1/4"
32	6200010	Screw, #10-12 x 3/4" Pan HD	91	2600617	Plastic Water Line
33	3550560	Straight Pin, Base Assy, .312" x 2.88"	92	0168160	Solenoid Water Valve Bracket
34	3450620	Canoe Clip	93	6200780	Screw, #10-24 x 1/2" PH Hex Washer
35	3421240	Cabinet Roller (Single)	94	6201270	Screw, #8-18 x 5/8" PH PN SS-Gnd
36	3570050	Leveling Leg, #18-3/8 x 1"	95	1607700	Water Inlet Tube
37	6110580	Adjusting Screw	96	6220470	Fill Tube Clamp
38	4200170	Refrig. Fan Motor Pkg. (Blade not Incl.)	97	3070210	Heater, Fill Tube
39	0261330	Bracket, Light	98	3025560	Cord Assy, Power Supply
40	3030170	Light Strip, 7.5 WATT	99	2605410	Water Inlet Tube Extension
41	3220810	Grommet, Open/Closed 1/2	100	4200522	Icemaker Assembly
42	0212740	Box, Light Display	101	6200120	Screw, #10-12 x 1/2" Truss HD
43	3150640	Fan blade, Ref/Fre Evap.	102	3140400	Icemaker Rudder Arm
44	3550770	90° Stop Pin	103	0260740	Bracket, Condenser Shroud
45	3082140	Light Terminator	104	0233820	Switch Housing, Freezer
46	6201590	Screw, #8-32X1/2 Taplite Pn Trx	105	3060140	SPST Light Switch
47	6220540	Screw Grommet / Stand-off	106	3060130	SPST Fan/Icemaker Switch
48	6201010	Screw, #8-15 x 2" Pan Head	107	3082060	Defrost Terminator
49	4162700	Shroud Assy, Ref Fan	108	1801100	Heater Clip
50	3541017	Top Cabinet Hinge Cover, RH	109	6120340	Aluminum Strap
	3541211	Cover, Top Cabinet Hinge-RH,B	110	4325190	Defrost Heater Assy
	3541213	Cover, Top Cabinet Hinge-RH, P	111	3520250	Water Inlet Fitting Assy
	3541018	Top Cabinet Hinge Cover, LH			
	3541212	Cover, Top Cabinet Hinge-LH,B			
	3541214	Cover, Top Cabinet Hinge-LH, P			

611G-2 MECHANICAL VIEW (Prior to Serial #2354455)

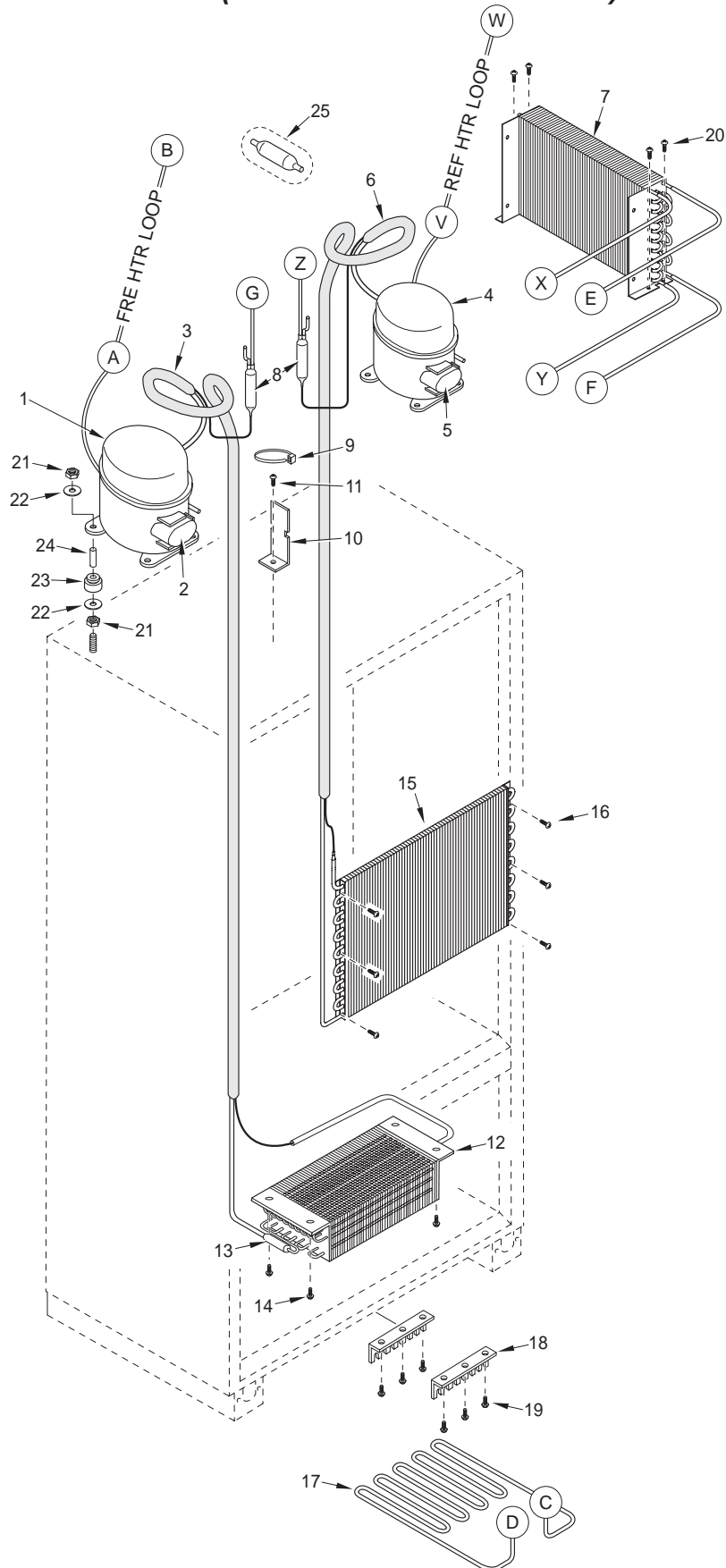


611G-2 SEALED SYSTEM PARTS LIST (Prior to Serial #2354455)

<u>Ref #</u>	<u>Part #</u>	<u>Description</u>
1	4202280	Compressor, (EMI60HER)
2	3111460	Relay, (1351408 - for EMI60HER)
	3111470	Overload, (4TM757NFB - for EMI60HER)
3	4251350	Heat Exchanger, Freezer
4	4201880	Compressor, Refrig. (EMI30HER)
5	3111370	Relay, (1351400 - for EMI30HER)
	3111410	Overload, (4TM734LFB - for EMI30HER)
6	4251550	Heat Exchanger, Refrigerator
7	3120330	Condenser, Dual
8	3014230	Filter-Drier, High Side
9	6120170	Locking Cable Tie, Red, 11-1/2"
10	0168040	Drier Bracket
11	6201270	Screw, #8-18 x 5/8" PH PN SS-Gnd
12	3130600	Evaporator Coil, Fre
13	3011130	Freezer Accumulator
14	6200120	Screw, #10-12 x 1/2" Truss HD
15	3130630	Evaporator, Ref
16	6201270	Screw, #8-18 x 5/8" PH PN SS-Gnd
17	2600138	Drain Pan Heater Loop
18	3421410	Drain Pan Heater Loop Support
19	6200010	Screw, #10-12 x 3/4" Pan HD
20	6200010	Screw, #10-12 x 3/4" Pan HD
21	6150220	Nut, 5/16-18 Hex Zinc
22	6240050	Flat Washer, 5/16"
23	3150010	Rubber Grommet, Small, 5/8"
	3150170	Rubber Grommet, Large, 15/16"
24	6160030	Spacer, 5/16 x 7/16 x 5/8"
	6160070	Sleeve, 5/16 x 7/16 x 7/8"
25	3014100	Suction Line Drier (Service Only)



611G-2 SEALED SYSTEM VIEW (Prior to Serial #2354455)

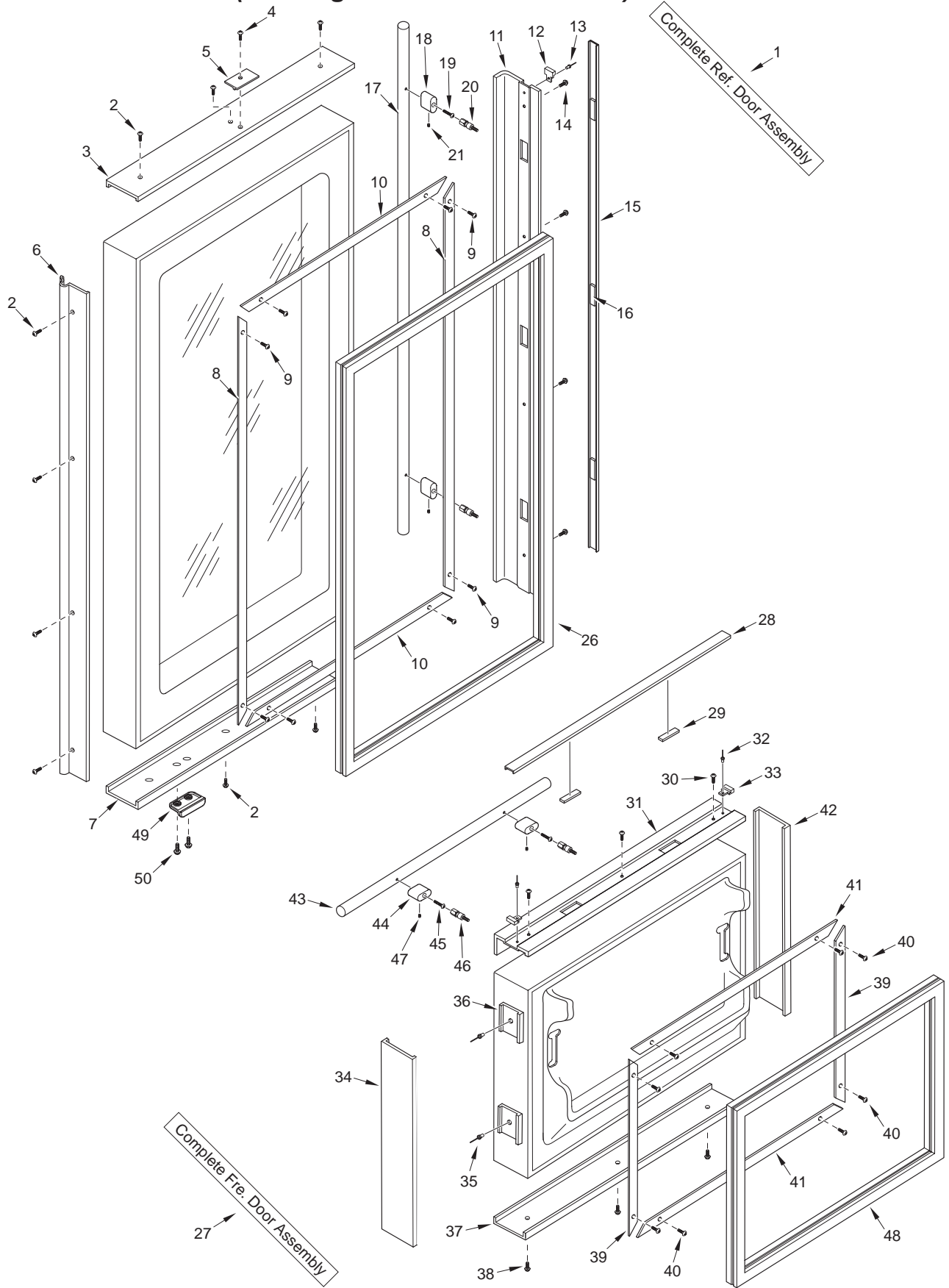


611G-2 DOOR PARTS LIST (Starting with Serial #2354455)

Ref #	Part #	Description	Ref #	Part #	Description
1	4134655	Door Assy,Ref 611G Frmd/Overlay-RH	18	3512150	Standoff, SS Oval
	4134656	Door Assy,Ref 611G Frmd/Overlay-LH		3512151	Standoff,Oval, B
	4134657	Door Assy,Ref 611HAG Frmd/Olay-RH		3512152	Standoff,Oval, P
	4134658	Door Assy,Ref 611HAG Frmd/Olay-LH	19	6110540	Bolt, #10-24 x 1/2 Flat Socket HD
	4134665	Door Assy, Ref 611G SS-RH	20	3511520	Handle Mounting Stud
	4134666	Door Assy, Ref 611G SS-LH	21	6110730	Set Screw #10-32 x 1/4 SS Cone
	4134667	Door Assy, Ref 611HAG SS-RH	22	NA	
	4134668	Door Assy, Ref 611HAG SS-LH	23	NA	
	4135613	Door Assy, SRVC, 611G-RH, B	24	NA	
	4135614	Door Assy, SRVC, 611G-LH, B	25	NA	
	4135623	Door Assy, SRVC, 611HAG-RH, B	26	3212160	Door Gasket, Refrigerator
	4135624	Door Assy, SRVC, 611HAG-LH, B	27	4135961	Drawer Assy Front, Svc 611F/O
	4135813	Door Assy, SRVC, 611G-RH, P		4136001	Drawer Assy Front, Svc 611S
	4135814	Door Assy, SRVC, 611G-LH, P		4136341	Drawer Assy Front, Svc 611B
	4135823	Door Assy, SRVC, 611HAG-RH, P		4136351	Drawer Assy Front, Svc 611P
	4135824	Door Assy, SRVC, 611HAG-LH, P	28	4132380	Handle/Trim Molding Assy, Freezer
NOTE:	Door Assy's incl. Wire Harness / Top Hinge Assy, do NOT incl. bottom hinge Assy or handle.		29	3451140	Magnet, Trim Strip
2	6200720	Screw, #8-18 x 1/2 Ph Truss Hd	30	6201300	Tapping Screw, #8 x 1/2
	6200721	Screw, #8-18X1/2 Ph Low Prfl, B	31	4132260	Drawer Handle Assy, Freezer (Framed)
3	2230610	Refrig. Door Trim, Top - RH		4132360	Handle-Side Door Trim, Freezer (Overlay)
	2230611	Refrig. Door Trim, Top - LH	32	6180160	Rivet, Open End Blind, 1/8 x 3/16
4	6200720	Screw, #8-18 x 1/2 Ph Truss Hd	33	3413340	Handle/Trim End Cap
	6200721	Screw, #8-18X1/2 Ph Low Prfl, B	34	2230701	Fre Drawer Trim, Rt Side
5	4200940	Switch Depressor (Includes Screw)	35	6180040	Pop Rivet, 3/16 x 1/8 Grip
	3421381	Depressor, Switch, B (Screw not Incl.)	36	3450460	Clip, Door Trim
6	3511140	Door Trim, Hinge Side - (SS Model)	37	2230614	Freezer Drawer Trim, Bottom
	3511141	Door Trim, Hinge Side - Mitered Corner	38	6200720	Screw, #8-18 x 1/2 Ph Truss Hd
	3512231	Trim, Door Hinge Side-Carbon		6200721	Screw, #8-18X1/2 Ph Low Prfl, B
	3512232	Trim, Door Hinge Side-Platinum	39	3420150	Gasket Retainer, 17.312
7	2230612	Refrig. Door Trim, Bottom - RH	40	6200410	Screw, #8 x 1/2 Slot Head Hex
	2230613	Refrig. Door Trim, Bottom - LH	41	3420200	Gasket Retainer, 27.062
8	3420240	Gasket Retainer, Side Ref, 47.438	42	2230702	Fre Drawer Trim, Lt Side
9	6200410	Screw, #8 x 1/2 Slot Head Hex	43	4133710	Handle Assy, Obr Standoff-Fre
10	3420200	Gasket Retainer, 27.062		4133711	(Incl. Stand-offs)
11	4132240	Door Handle Assy, Refrig. (Framed)		4133712	Handle Assy, OBR Standoff, B
	4132340	Handle-side Door Trim, Refrig. (Overlay)			(Incl. Stand-offs)
12	3413340	Handle/Trim End Cap			Handle Assy, OBR Standoff, P
13	6180160	Rivet, Open End Blind, 1/8 x 3/16	44	3512160	(Incl. Stand-offs)
14	6201300	Tapping Screw, #8 x 1/2		3512161	Standoff, SS Oval
15	4131870	Handle/Trim Molding Assy, Refrig.		3512162	Standoff, Oval, B
16	3451140	Magnet, Trim Strip			Standoff, Oval, P
17	4133700	Handle Assy, SS OBR Standoff-Ref	45	6110540	Bolt, #10-24 x 1/2 Flat Socket HD
		(Incl. Stand-offs)	46	3511520	Handle Mounting Stud
	4133701	Handle Assy, OBR Standoff, B	47	6110730	Set Screw #10-32 x 1/4 SS Cone
		(Incl. Stand-offs)	48	3212170	Door Gasket, Fre.
	4133702	Handle Assy, OBR Standoff, P	49	3430100	Closer, Door-Door Side
		(Incl. Stand-offs)	50	6110060	Bolt, #10-32 x 5/8", Truss Head



611G-2 DOOR VIEW (Starting with Serial #2354455)

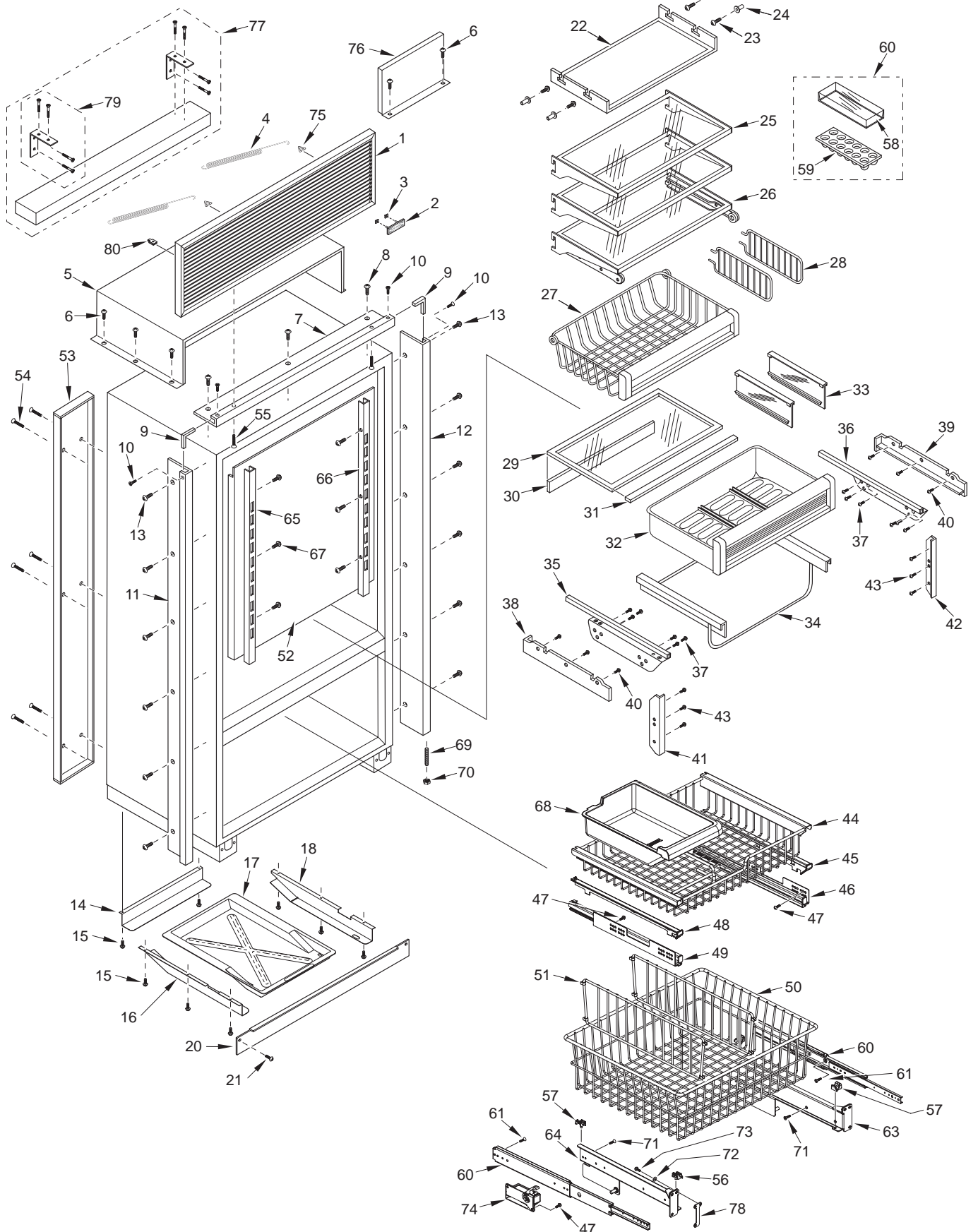


611G-2 COSMETIC PARTS LIST (Starting with Serial #2354455)

Ref #	Part #	Description	Ref #	Part #	Description
1	6LG3011	Louvered Grille Assy, 30" x 11"	30	3211770	Crisper Glass Seal, Rear
	6PG3011	Panel Grille Assy, 30" x 11"	31	3211740	Crisper Glass Seal, Front
	6SG3011/S	SS Grille, 30X11-CLSC	32	4181460	High Humidity Drawer Assembly
	6SG3011/B	SS Grille 30X11-Carbon	33	3413100	Drawer Divider
	6SG3011/P	SS Grille 30X11-Platinum	34	3421760	Humidity Drawer Slide-Frame
2	3580210	Name Plate, Stick-on (See SN Breaks)	35	4181412	Top Crisper Slide Assembly, Wide-LH
	3580211	Nameplate, B, P (See SN Breaks)		4181421	Top Crisper Slide Assembly, Narrow-RH
	3580230	Name Plate w/ Pegs (See SN Breaks)	36	4181411	Top Crisper Slide Assembly, Wide-RH
	3580270	Logo, Stainless 3 1/2" (Stick-on)		4181422	Top Crisper Slide Assembly, Narrow-LH
	3580280	Logo, Framed 3 1/2" (w/ Pegs)	37	6201270	Screw, #8-18 x 5/8" PH PN SS-Gnd
	3580290	Logo, Carbon 3 1/2", (Stick-on)	38	3421711	Top Crspr Glass Support, Narrow-RH
3	6150140	Spring Grip Nut, 1/8"		3421722	Top Crisper glass Support, Wide-LH
4	3450900	Grille spring	39	3421712	Top Crisper Glass Support, Narrow-LH
5	4281260	Unit Shroud Assembly		3421721	Top Crisper Glass Support, Wide-RH
6	6201270	Screw, #8-18 x 5/8" PH PN SS-Gnd	40	6201130	Screw, #8x 1/2" PH FL HD SS
7	2234007	Frame, Main Top 30 - RH	41	3421741	Crisper Filler Strip, Narrow (if RH)
	3517007	Frame, Main Top 30-RH, B		3421742	Crisper Filler Strip, Wide (if LH)
	3517032	Frame, Main Top 30-RH, P	42	3421741	Crisper Filler Strip, Narrow (if LH)
	2234008	Frame, Main Top 30 - LH		3421742	Crisper Filler Strip, Wide (if RH)
	3517008	Frame, Main Top 30-LH, B	43	6201270	Screw, #8-18 x 5/8" PH PN SS-Gnd
	3517033	Frame, Main Top 30-LH, P	44	3414680	Basket, Fre Upr
8	6200010	Screw, #10-12 x 3/4" Pan HD	45	3422331	Retainer, Upper Fre Basket RH
9	2210701	Main Frame Angle	46	3414611	Slide, Full Ex Quadro 18" V6+ RH
10	6200070	Screw, #4-24 x 3/8" Flat HD	47	6110030	Bolt, #10-24 x 1/2", Round Head
	6200071	Screw, #4-24X3/8 Flat Hd, B	48	3422332	Retainer, Upper Fre Basket LH
11	2234013	Frame, Main Side Left - RH	49	3414612	Slide, Full Ex Quadro 18" V6+ LH
	3517004	Frame, Main Side Left-RH, B	50	3414700	Basket, Fre Lwr
	3517029	Frame, Main Side Left-RH, P	51	3414760	Divider, Lwr Basket
	2234014	Frame, Main Side Left - LH	52	0201260	Refrig Evap Cover
	3517012	Frame, Main Side Left-LH, B	53	0261640	Duct, Back
	3517037	Frame, Main Side Left-LH, P	54	6201060	Screw, #8x1-1/4" PH FLAT TAP
12	2234011	Frame, Main Side Right - RH	55	6201310	Screw, #8 x 1-3/4" Flat PH HD
	3517011	Frame, Main Side Right-RH, B		6201311	Screw, #8X1-3/4 Flt Ph Hd, B
	3517036	Frame, Main Side Right-RH, P	56	3422341	Retainer, Lower Fre Basket RH
	2234012	Frame, Main Side Right - LH	57	3422342	Retainer, Lower Fre Basket LH
	3517006	Frame, Main Side Right-LH, B	58	3412280	Egg Tray Cover
	3507031	Frame, Main Side Right-LH, P	59	3412270	Egg Tray
13	6201550	Screw, #8-18 Lw Prfl	60	4131810	Egg Tray with Cover
14	0262020	Support, Drain Pan, Rear	61	3414590	Slide, Full Extension 18"
15	6200010	Screw, #10-12 x 3/4" Pan HD	62	6110970	Machine Screw, 1/4-20 X 1 #10FL
16	0262010	Support, Drain Pan, LH	63	3422321	Rail Assy, Drawer Slide Right
17	2120121	Pan, Drain Vac Form	64	3422322	Rail Assy, Drawer Slide Left
18	0262000	Support, Drain Pan, RH	65	3601821	Refrig. shelf ladder, Right
19	3550300	Glide, Rear Drawer 1/2X1/4	66	3601822	Refrig. shelf ladder, Left
20	0260710	Kickplate	67	6200710	Screw, #8-18 x 3/8" Fillister HD
	0168570	Kickplate, Stainless Steel	68	3414740	Bucket, Ice
	0168571	Kickplate, Solid-30", B	69	3550190	Bottom Hinge Stud
	0168572	Kickplate, Solid-30", B	70	6150200	Nut, 1/4-20 Hex
21	6200050	Screw, #10-12 Pan Hd	71	6111020	Mach Screw, #10-24X3/8 UN FL HD
	6200720	Screw, #8-18x1/2 Ph Tr Hd (SS Model)	72	6240340	Washer, Flat 1/4X5/8 X .045 SS
22	4162580	Refrig. Light Diffuser Assembly	73	6110980	Cap Screw, 1/4-20X3/4 Button HD
23	6201330	Screw, #8-18 x 5/8" PH PN SS-Gnd	74	3541320	Closer, Drawer LH
24	3520420	Insert / Diffuser Stand-off	75	3450520	Grille Hook
25	3602330	Shelf, Glass Cantilever	76	4281270	Compsr Shroud Assy
26	NA		77	4201310	Blocking Components; 30"
27	NA		78	0187010	Spacer, Drawer Rail
28	NA		79	4201340	Blocking Hardware Package
29	4151770	Crisper Glass Assembly (Incl. Seals)	80	6150140	Spring Grip Nut, 1/8"



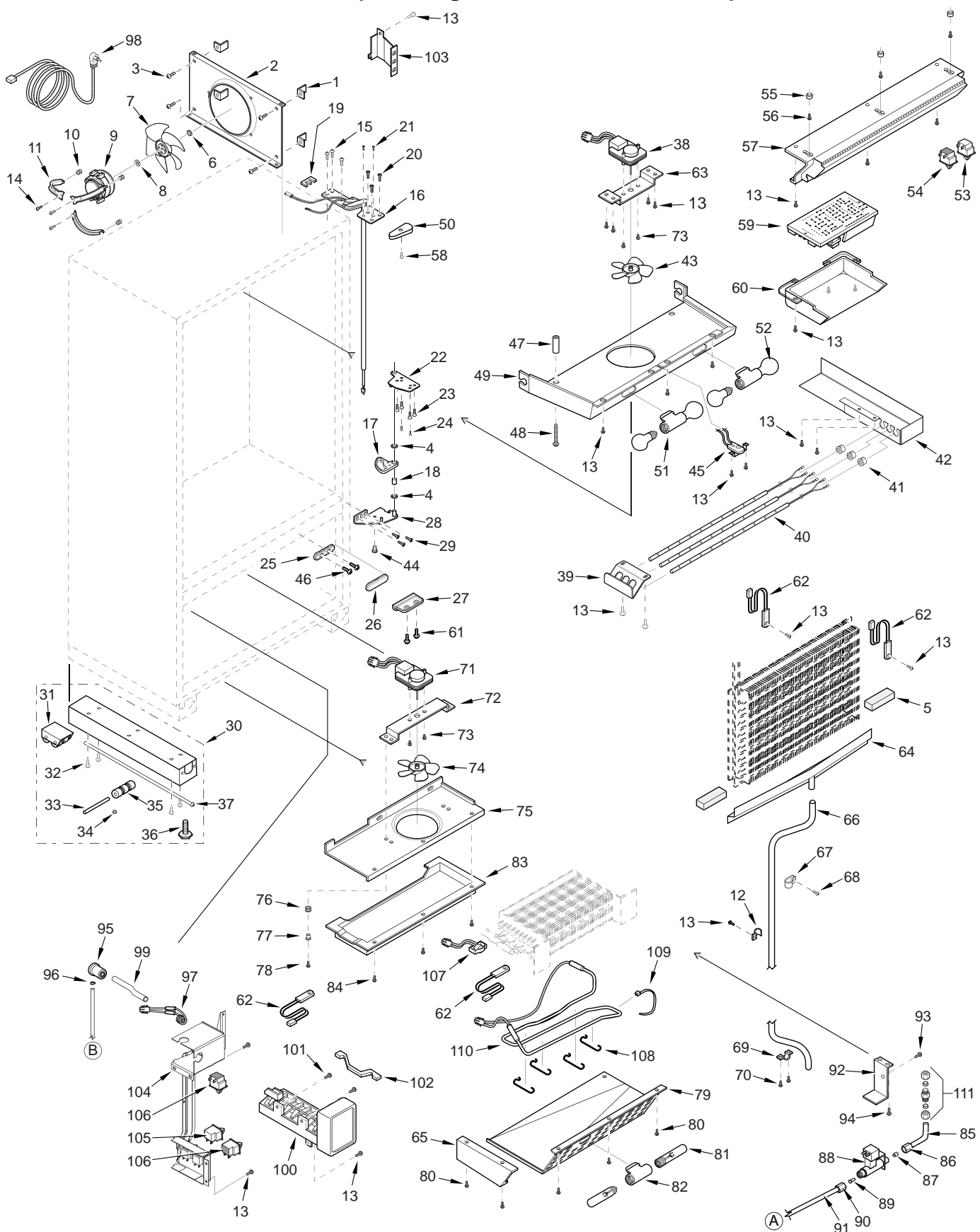
611G-2 COSMETIC VIEW (Starting with Serial #2354455)



611G-2 MECHANICAL PARTS LIST (Starting with Serial #2354455)

Ref #	Part #	Description	Ref #	Part #	Description
1	3450290	Angle Bracket	51	3050250	Socket, Light Med Base Double
2	0261220	Shroud, Cond Fan	52	3030030	Light Bulb, 40 Watt
3	6200010	Screw, #10-12 x 3/4" Pan HD	53	3060130	SPST Fan/Icemaker Switch (White)
4	3430120	Bushing, Door		3060131	Switch, Rocker N.O. Black
5	6231490	Tape, Foam XLPE	54	3060140	SPST Light Switch (White)
6	6150410	Nut, 1/4-20		3060141	Switch, Rocker N.C. Black
7	3150800	Blade, Condenser Forward-SW	55	6160240	Nylon Spacer
8	3210340	Neoprene Silencer, 7/8"	56	6200720	Screw, #8-18 x 1/2 PH Truss HD
9	4200740	Motor Pkg, Cond Fan (blade not incl.)	57	4162682	Control Panel Assy, 611G Srvc
10	3220360	Grommet, Mtg Brkt	58	6200140	Screw, #8-15 x 3/8" Truss HD
11	0261150	Bracket, Cond Mounting	59	4203790	Control Board Pkg
12	6120050	Tube Clamp, Plastic, 5/8"	60	4152050	Cover Assy, Control
13	6201270	Screw, #8-18 x 5/8" PH PN SS-Gnd	61	6110060	Bolt, #10-32 x 5/8", Truss Head
14	6200490	Screw, #8-32 x 3/8" Slotted Hex T25	62	4204150	Thermistor, ASM Srvc Pkg
15	6110070	Bolt, 1/4-20x3/4 Spinlock Zinc	63	0212540	Bracket, Fan
16	4325671	WH, Top Hinge Assy - RH	64	0212630	Drain Trough, Ref
	4325673	W/H,Door Hinge 611G-650G/B-RH	65	0234300	Fre Evap. Cvr Lft Side
	4325672	WH, Top Hinge Assy - LH	66	1601400	Drain Tube, Wire - 1/2" x 72"
	4325674	W/H,Door Hinge 611G-650G/B-LH	67	6120050	Tube Clamp, Plastic, 5/8"
17	3421800	Door Stop Cam	68	6200120	Screw, #10-12 x 1/2" Truss HD
	3421801	Cam, Door Stop, B	69	6120210	U-Clamp, 5/8"
18	3421790	Bearing, Door Hinge	70	6200010	Screw, #10-12 x 3/4" Pan HD
19	0168680	Shim - Hinge	71	4200160	Freezer Fan Motor Pkg. (Blade not Incl.)
20	6110540	Bolt, #10-24 x 1/2" Flat Socket HD	72	0232280	Fan Bracket, Fre
21	6200390	Screw, #6 x 3/8" T25 Flat Head PH	73	6110270	Bolt, #10-32 x 1/4" RD HD
22	4151841	Hinge, Door Bottom LH	74	3150640	Fan Blade, Evaporator
	4151843	Hinge Assy,Door-Bot LH, B	75	4281500	Shroud Assy, Fre Evap 611 Srvc
	4151842	Hinge, Door Bottom RH	76	3220250	Grommet, 3/16" x 7/16" x 9/32"
	4151844	Hinge Assy,Door-Bot RH, B	77	3520120	Brass Insert, Fan Bracket
23	6110540	Bolt, #10-24 x 1/2" Flat Socket HD	78	6200670	Screw, #6-18 x 3/4" Teks
24	6200390	Screw, #6 x 3/8" T25 Flat Head PH	79	0235220	Cover, Fre Evap
25	3430110	Closer, Door-Cabinet Side	80	6200120	Screw, #10-12 x 1/2" Truss HD
26	3430140	Cover, Door Closer	81	3030040	Light Bulb, Long/Narrow; 40 watt
27	3430100	Closer, Door-Door Side	82	3050220	Socket, Light Int Base Sngl
28	4152081	Cabinet Hinge, Bot - RH	83	0234890	Fre Air Duct Assy
	4152083	Hinge Assy, Lwr Cabinet-RH, B	84	6200120	Screw, #10-12 x 1/2" Truss HD
	4152082	Cabinet Hinge, Bot - LH	85	2600297	Tube, Copper L-Shaped
	4152084	Hinge Assy, Lwr Cabinet-LH, B	86	3520380	Compression Nut
29	6110810	Screw, Machine #10-24X3/4 PH FT HD	87	3520370	Compression Sleeve
	6110811	Bolt, #10-24X3/4 Ph Flat Hd, B	88	4202790	Water Valve
30	4110353	Base Assy (w/rollers)	89	3520050	Brass Insert, Solenoid
31	4110331	Base Rear Roller Assy	90	3520030	Icemaker Nylon Nut, 1/4"
32	6200010	Screw, #10-12 x 3/4" Pan HD	91	2600617	Plastic Water Line
33	3550560	Straight Pin, Base Assy, .312" x 2.88"	92	0168160	Solenoid Water Valve Bracket
34	3450620	Canoe Clip	93	6200780	Screw, #10-24 x 1/2" PH Hex Washer
35	3421240	Cabinet Roller (Single)	94	6201270	Screw, #8-18 x 5/8" PH PN SS-Gnd
36	3570050	Leveling Leg, #18-3/8 x 1"	95	1607700	Water Inlet Tube
37	6110580	Adjusting Screw	96	6220470	Fill Tube Clamp
38	4200170	Refrig. Fan Motor Pkg. (Blade not Incl.)	97	3070210	Heater, Fill Tube
39	0261330	Bracket, Light	98	3025560	Cord Assy, Power Supply
40	3030170	Light Strip, 7.5 WATT	99	2605410	Water Inlet Tube Extension
41	3220810	Grommet, Open/Closed 1/2	100	4200522	Icemaker Assembly
42	0212740	Box, Light Display	101	6200120	Screw, #10-12 x 1/2" Truss HD
43	3150640	Fan blade, Ref/Fre Evap.	102	3140400	Icemaker Rudder Arm
44	3550770	90° Stop Pin	103	0260740	Bracket, Condenser Shroud
45	3082140	Light Terminator	104	4163081	Switch Assy, Fre Srvc/G
46	6201590	Screw, #8-32X1/2 Taplite Pn Trx	105	3060140	SPST Light Switch
47	6220540	Screw Grommet / Stand-off	106	3060130	SPST Fan/Icemaker Switch
48	6201010	Screw, #8-15 x 2" Pan Head	107	3082060	Defrost Terminator
49	4162700	Shroud Assy, Ref Fan	108	1801100	Heater Clip
50	3541017	Top Cabinet Hinge Cover, RH	109	6120340	Aluminum Strap
	3541211	Cover, Top Cabinet Hinge-RH,B	110	4325190	Defrost Heater Assy
	3541213	Cover, Top Cabinet Hinge-RH, P	111	3520250	Water Inlet Fitting Assy
	3541018	Top Cabinet Hinge Cover, LH			
	3541212	Cover, Top Cabinet Hinge-LH,B			
	3541214	Cover, Top Cabinet Hinge-LH, P			

611G-2 MECHANICAL VIEW (Starting with Serial #2354455)

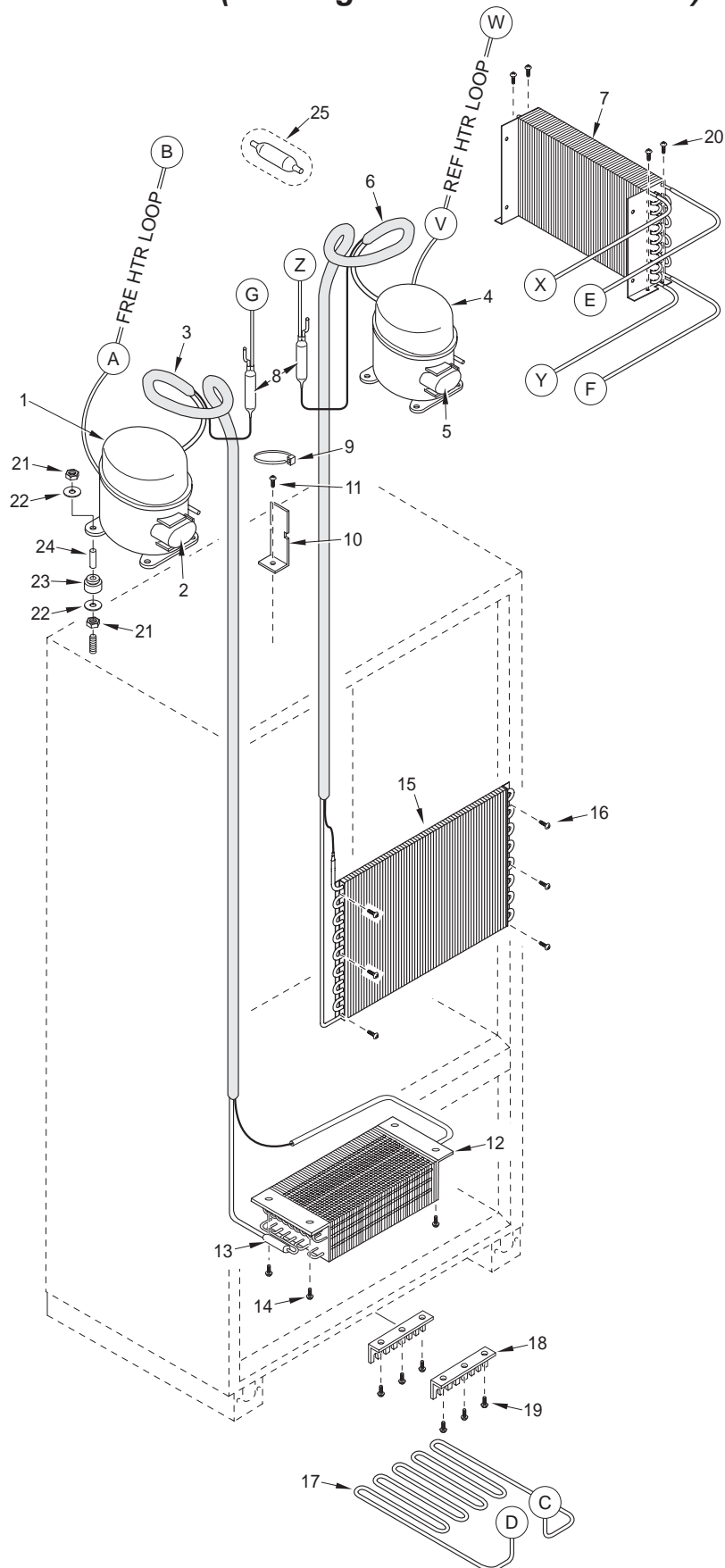


611G-2 SEALED SYSTEM PARTS LIST (Starting with Serial #2354455)

<u>Ref #</u>	<u>Part #</u>	<u>Description</u>
1	4202280	Compressor, (EMI60HER)
2	3112210	Electrical Assy, DC51C (Used w/DC51 Production Comp)
	3112500	Capacitor, 12MF (Used w/DC51 Production Comp)
	3111460	Relay, (1351408) (Used with EMI60HER Srvc Comp)
	3111470	Overload, (4TM757NFB) (Used with EMI60HER Srvc Comp)
3	4251350	Heat Exchanger, Freezer
4	4201880	Compressor, Refrig. (EMI30HER)
5	3112211	Electrical Assy, EMU30HSC (Used w/EMU30HSC Production Comp)
	3112500	Capacitor, 12MF (Used w/EMU30HSC Production Comp)
	3111370	Relay, (1351400) (Used with EMI30HER Srvc Comp)
	3111410	Overload, (4TM734LFB) (Used with EMI30HER Srvc Comp)
6	4251550	Heat Exchanger, Refrigerator
7	3120330	Condenser, Dual
8	3014230	Filter-Drier, High Side
9	6120170	Locking Cable Tie, Red, 11-1/2"
10	0168040	Drier Bracket
11	6201270	Screw, #8-18 x 5/8" PH PN SS-Gnd
12	3130600	Evaporator Coil, Fre
13	3011130	Freezer Accumulator
14	6200120	Screw, #10-12 x 1/2" Truss HD
15	3130630	Evaporator, Ref
16	6201270	Screw, #8-18 x 5/8" PH PN SS-Gnd
17	2600138	Drain Pan Heater Loop
18	3421410	Drain Pan Heater Loop Support
19	6200010	Screw, #10-12 x 3/4" Pan HD
20	6200010	Screw, #10-12 x 3/4" Pan HD
21	6150220	Nut, 5/16-18 Hex Zinc
22	6240050	Flat Washer, 5/16"
23	3150010	Rubber Grommet, Small, 5/8"
	3150170	Rubber Grommet, Large, 15/16"
24	6160030	Spacer, 5/16 x 7/16 x 5/8"
	6160070	Sleeve, 5/16 x 7/16 x 7/8"
25	3014100	Suction Line Drier (Service Only)



611G-2 SEALED SYSTEM VIEW (Starting with Serial #2354455)

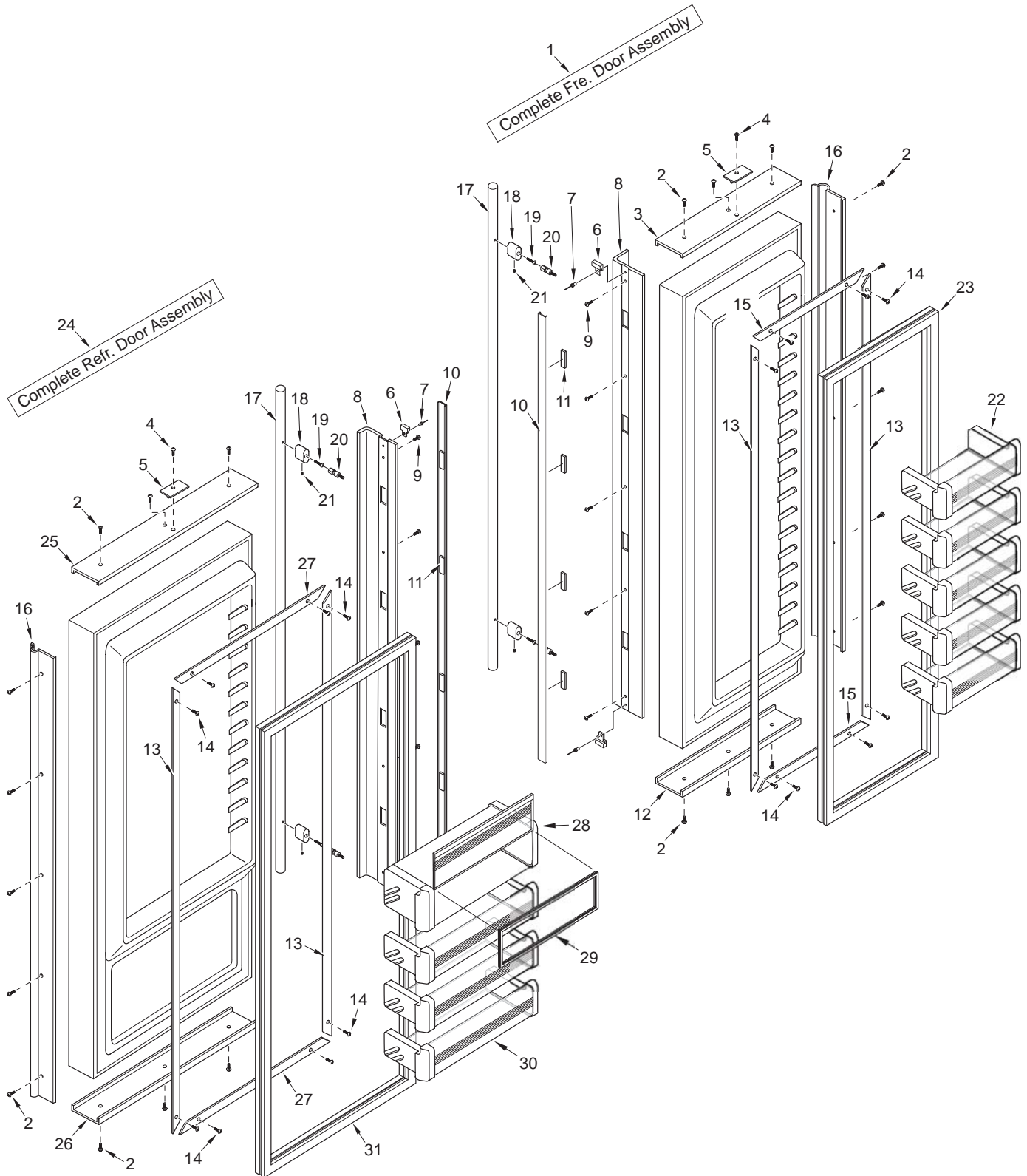


632-2 DOOR PARTS LIST

Ref #	Part #	Description	Ref #	Part #	Description
1	4132905	Freezer Door Assy, Frame/Overlay	17	4133730	Handle Assy, SS OBR Standoffs (Incl. Stand-offs)
	4134565	Door Assy, SRVC, 632 Fre, SS		4133731	Handle Assy, OBR Standoff, B (Incl. Stand-offs)
	4135711	Door Assy, SRVC, 632 Fre, B		4133732	Handle Assy, OBR Standoff, P (Incl. Stand-offs)
	4135911	Door Assy, SRVC, 632 Fre, P			
NOTE: Door Assy's do NOT incl. hinges or handles.					
2	6200720	Screw, #8-18 x 1/2 PH Truss HD	18	3512150	Standoff, SS Oval
	6200721	Screw, #8-18X1/2 Ph Low Prfl, B		3512151	Standoff, Oval, B
3	2230603	Door Trim, Top; Freezer		3512152	Standoff, Oval, P
4	6200720	Screw, #8-18 x 1/2 PH Truss HD	19	6110540	Bolt, #10-24 x 1/2 Flat Socket HD
	6200721	Screw, #8-18X1/2 Ph Low Prfl, B	20	3511520	Handle Mounting Stud
5	4200940	Switch Depressor (Includes Screw)	21	6110730	Set Screw #10-32 X 1/4 SS Cone
	3421381	Depressor, Switch, B (Screw not Incl.)	22	4330660	Fre Door Shelf Assy
6	3413340	Handle/Trim End Cap	23	3212090	Door Gasket, Fre
7	6180160	Rivet, Open End Blind, 1/8 x 3/16	24	4132935	Refrigerator Door Assy, Frame/Overlay
8	4132220	Door Handle Assembly (Framed)		4134555	Refrigerator Door Assy, SS
	4132320	Handle-Side Door Trim (Overlay)		4135701	Door Assy, SRVC, 632 Ref, B
9	6201300	Tapping Screw, #8 x 1/2		4135901	Door Assy, SRVC, 632 Ref, P
10	4131860	Handle/Trim Molding Assy	25	2230601	Door Trim, Top; Refrigerator
11	3451140	Magnet, Trim Strip - 3"	26	2230602	Door Trim, Bottom; Refrigerator
12	2230604	Door Trim, Bottom; Freezer	27	3420200	Gasket Retainer, 27.062"
13	3420260	Gasket Retainer, 66.875"	28	4330450	Dairy Compartment Assy
14	6200410	Screw, #8 x 1/2 Slot Head Hex	29	3211830	Dairy Compartment Gasket
15	3420140	Gasket Retainer, 16.125"	30	4330470	Refrig. Door Shelf Assy
16	3511130	Door Trim, Hinge Side - (SS Model)		4330520	Gallon Door Shelf Assy (Sales Acc.)
	3511131	Door Trim, Hinge Side - Mitered Corner	31	3212110	Door Gasket, Refrigerator
	3512241	Trim, Door Hinge Side - Carbon			
	3512242	Trim, Door Hinge Side - Platinum			



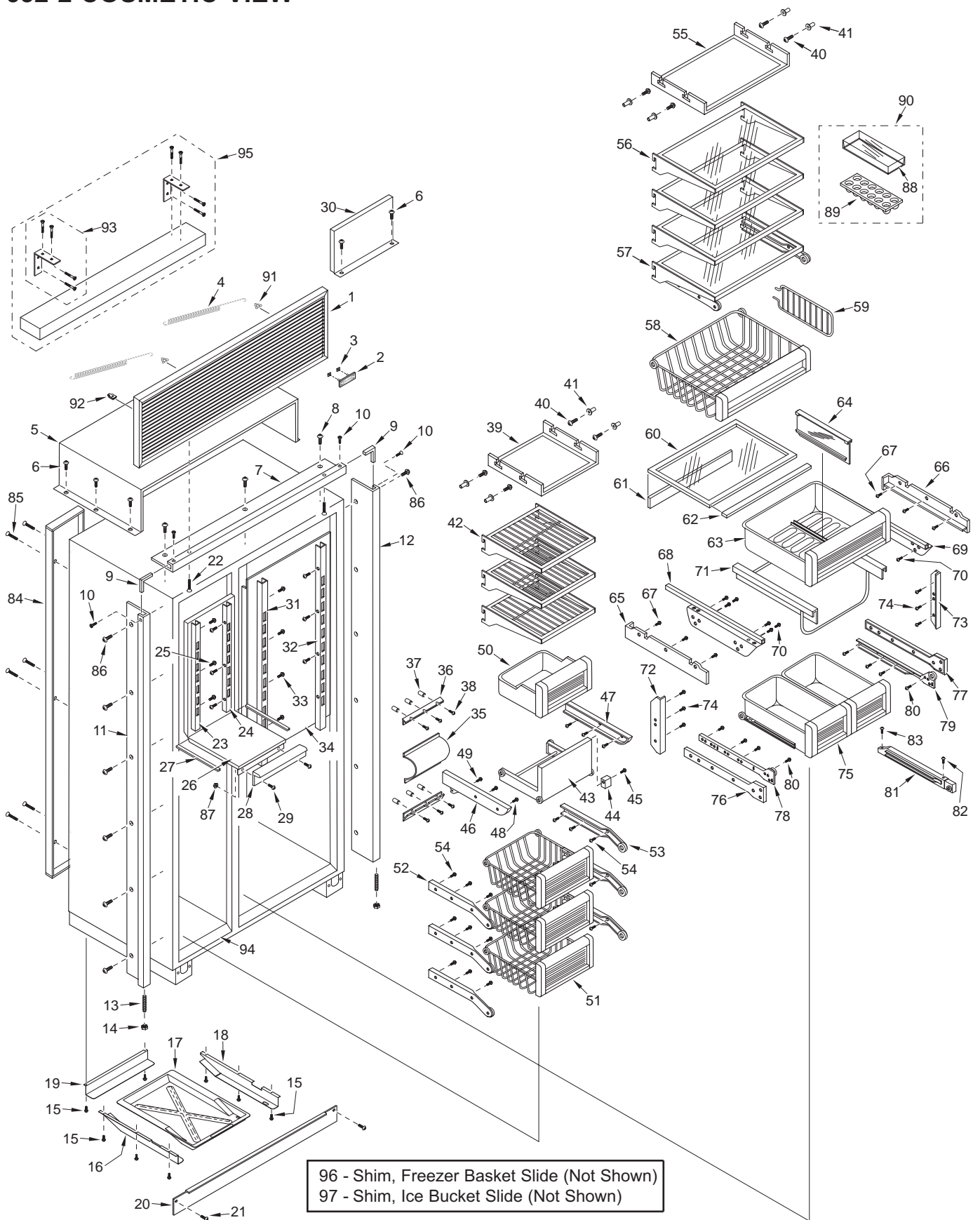
632-2 DOOR VIEW



632-2 COSMETIC PARTS LIST

Ref #	Part #	Description	Ref #	Part #	Description
1	6LG4811	Louvered Grille Assy, 48" x 11"	41	3520420	Insert / Diffuser Stand-off
	6PG4811	Panel Grille Assy, 48" x 11"	42	3602200	Freezer Wire Shelf
	6SG4811/S	SS Grille,48X11-CLSC	43	4181920	Ice Bkt Carriage Assy
	6SG4811/B	SS Grille 48X11-CarBon	44	3421090	IM Carriage Guide
	6SG4811/P	SS Grille 48X11-Platinum	45	6200340	Screw, #6-20 x 1/2" Pan Head
2	3580210	Name Plate, Stick-on (See SN Breaks)	46	3410932	Ice Bucket Slide, Left
	3580211	Nameplate, B, P (See SN Breaks)	47	3410931	Ice Bucket Slide, Right
	3580230	Name Plate w/ Pegs (See SN Breaks)	48	6200450	Screw, #8 x 1" Type AR Flat
	3580270	Logo, Stainless 3 1/2" (Stick-on)	49	6200710	Screw, #8-18 x 3/8" Fillister HD
	3580280	Logo, Framed 3 1/2" (w/ Pegs)	50	4181830	Ice Bucket Assy
	3580290	Logo, Carbon 3 1/2", (Stick-on)	51	4181820	Freezer Basket Assy
3	6150140	Spring Grip Nut, 1/8"	52	4181842	Fre Bskt Slide Assy-LH
4	3450900	Grille Spring	53	4181841	Fre Bskt Slide Assy-RH
5	4281040	Unit Shroud Assy	54	6200450	Screw, #8 x 1" Type AR Flat
6	6201270	Screw, #8-18 x 5/8" PH PN SS-Gnd	55	4161520	Refrig. Light Diffuser Assembly
7	2234024	Frame,Main Top 48	56	3601891	Glass Shelf, Spill Proof
	3517022	Frame,Main Top 48, B	57	4181560	Refrig. Roll-out Shelf Assy
	3517047	Frame,Main Top 48, P	58	4181540	Refrig. Roll-out Basket Assy
8	6200010	Screw, #10-12 x 3/4 Pan HD	59	3411160	Ref Roll-Out Bskt Divider
9	2210701	Main Frame Angle	60	4151770	Crisper Glass Assembly (Incl Seals)
10	6200070	Screw, #4-24 x 3/8 Flat HD	61	3211770	Crisper Glass Seal, Rear
11	4120870	Frame Assy,Main Left-LH	62	3211740	Crisper Glass Seal, Front
	4120871	Frame Assy, Main Left Side - LH, B	63	4181460	High Humidity Drawer Assembly
	4120872	Frame Assy, Main Left Side - LH, P	64	3413100	Drawer Divider
12	4120860	Frame Assy,Main Rt-RH	65	3421711	Top Crspr Glass Support, Narrow-RH
	4120861	Frame Assy, Main Right Side - RH, B	66	3421721	Top Crisper glass Support, Wide-RH
	4120862	Frame Assy, Main Right Side - RH, P	67	6201130	Screw, #8x 1/2" PH FL HD SS
13	3550190	Bottom Hinge Stud	68	4181421	Top Crisper Slide Assy, Narrow-RH
14	6150200	Nut, 1/4-20 Hex	69	4181411	Top Crisper Slide Assembly, Wide-RH
	6150201	Nut, 1/4-20 Hex, B	70	6201270	Screw, #8-18 x 5/8" PH PN SS-Gnd
15	6200010	Screw, #10-12 x 3/4" Pan HD	71	3421760	Humidity Drawer Slide-Frame
16	0262010	Support, Drain Pan, LH	72	3421732	Crisper Filler Strip, Wide
17	2120121	Pan, Drain Vac Form	73	3421731	Crisper Filler Strip, Narrow
18	0262000	Support, Drain Pan, RH	74	6201270	Screw, #8-18 x 5/8" PH PN SS-Gnd
19	0262020	Support, Drain Pan, Rear	75	4181490	Small Storage Drawer Assembly
20	0260150	Kickplate, Black-Solid	76	3421691	Bot Crisper Slide Support, Narrow
	0167810	Kickplate, Stainless Steel	77	3421692	Bot Crisper Slide Support, Wide
	0167811	Kickplate, Solid 48", B	78	3413112	Bot Crisper Slide, Cabinet - Left
	0167812	Kickplate, Solid 48", P	79	3413111	Bot Crisper Slide, Cabinet - Right
21	6200050	Screw, #10-12 Pan Hd	80	6201230	Screw, #8 x 7/8" w/a #7 PH FT Head
	6200720	Screw, #8-18x1/2 Ph Tr Hd (SS Model)	81	4181430	Center Crisper Slide Assembly
22	6201310	Screw, #8 x 1-3/4" Flat PH HD	82	6201120	Screw, #8-18 x 1.75 Truss SS
23	3602252	Fre Shelf Ladder, Lft	83	6200130	Screw, #8-18 x 3/4" Truss HD
24	3602251	Fre Shelf Ladder, Right	84	0261640	Duct, Back
25	6200710	Screw, #8-18 x 3/8 Fillister HD	85	6201060	Screw, #8x1-1/4" Ph Flat Tap
26	0234370	Freezer Duct/Shelf	86	6200210	Screw, #8-32 x 1/2" Flat Head
27	3212060	Evaporator Shelf Seal		6201550	Screw, #8-18 Lw Prfl
28	3413740	Evaporator Shelf Front	87	6150820	Palnut, .25
29	6201290	Screw, #8-15 PH PN HD SS	88	3412280	Egg Tray Cover
30	4280950	Compressor Shroud Assembly	89	3412270	Egg Tray
31	3601812	Refrig. Shelf Ladder, Left	90	4131810	Egg Tray with Cover
32	3601811	Refrig. Shelf Ladder, Right	91	3450520	Grille Hook
33	6200710	Screw, #8-18 x 3/8" Fillister HD	92	6150140	Spring Grip Nut, 1/8"
34	0201160	Refrig Evap Cover	93	4201340	Blocking Hardware Package
35	3500600	Fre Lower Light Diffuser	94	4203910	Patch,Fre Face Frm Sill
36	0234380	Fre Lwr Light Diff Rtnr	95	4201330	Blocking Components; 48"
37	6220340	Screw Grommet / Stand-off	96	2121120	Shim, Fre. Basket Slide
38	6201010	Screw, #8-15 x 2" Pan Head	97	3411970	Shim, Ice Bucket Slide
39	4161440	Fre Light Diffuser Assy			
40	6201330	Screw, #8-18 x 5/8" PH PN SS-Gnd			

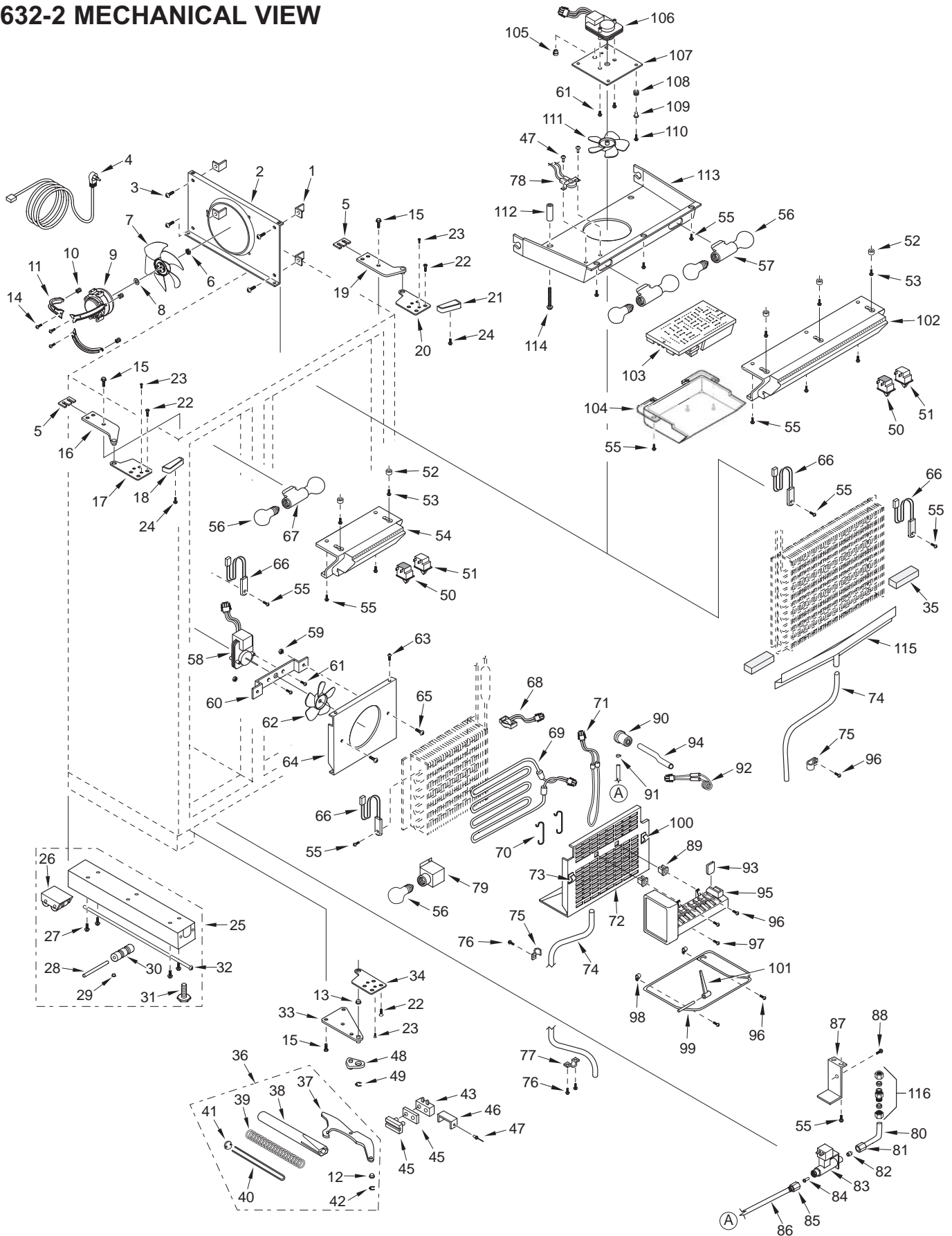
632-2 COSMETIC VIEW



632-2 MECHANICAL PARTS LIST

Ref #	Part #	Description	Ref #	Part #	Description
1	3450290	Angle Bracket	50	3060130	SPST Fan/Icemaker Switch (White)
2	0261210	Shroud, Cond Fan		3060131	Switch, Rocker N.O. Black
3	6200010	Screw, #10-12 x 3/4" Pan HD	51	3060140	SPST Light Switch (White)
4	3025560	Cord Assy, Power Supply		3060141	Switch, Rocker N.C. Black
5	0168680	Shim - Hinge	52	6160240	Nylon Spacer
6	6150410	Nut, 1/4-20	53	6200720	Screw, #8-18 x 1/2 PH Truss HD
7	3150800	Blade, Condenser Forward-SW	54	4161951	Freezer Front Pnl Assy
8	3210340	Neoprene Silencer, 7/8"	55	6201270	Screw, #8-18 x 5/8" PH PN SS-Gnd
9	4200740	Motor Pkg, Cond Fan (blade not incl.)	56	3030030	Light Bulb, 40 Watt
10	3220360	Grommet, Mtg Brkt	57	3050250	Sckt, Light Md Base DbI
11	0261150	Brkt, Cond Mounting (3)	58	4200160	Freezer Fan Motor (Blade not Incl.)
12	3450550	E-Ring / Klipring, 5/16"	59	6150030	Nut, #10-24 Hex SS
13	3421270	Hinge Bearing, 3/8" x 5/8"	60	0234360	Fan Support
	3421271	Bearing, Door, B	61	6110270	Bolt, #10-32 x 1/4" RD HD
14	6200490	Screw, #8-32 x 3/8" Slotted Hex T25	62	3150060	Fan Blade; Freezer; 5 Prop; 5-1/2"
15	6110070	Bolt, 1/4-20x3/4 Spinlock Zinc	63	6201270	Screw, #8-18 x 5/8" PH PN SS-Gnd
16	4151272	Cabinet Hinge Assy, Upper LH	64	0234440	Fre Evap Fan Shroud
	4151274	Hinge Assy, Upr Cab-LH, B	65	6110020	Bolt, #10-24 x 3/8" Truss HD
17	4151472	Door Hinge Assy, Top LH	66	4204150	Thermistor, ASM Srvc Pkg
	4151474	Hinge Assy, Top Door-LH, B	67	4161610	Light Assy, Upper Freezer (Incl. Socket)
18	3541018	Top Cabinet Hinge Cover, LH	68	3082060	Defrost Terminator-55/30 Deg.
	3541212	Cover, Top Cabinet Hinge-LH,B	69	4324690	Defrost Heater Assy
	3541214	Cover, Top Cabinet Hinge-LH, P	70	1801100	Heater Clip
19	4151271	Cabinet Hinge Assy, Upper RH	71	3013540	Drain Tube Heater
	4151273	Hinge Assy, Upr Cab-RH, B	72	4151940	Fre Evap Cover Assy.
20	4151471	Door Hinge Assy, Top RH	73	6120160	Cord Clip, Plastic, 5/16 x 1/2"
	4151473	Hinge Assy, Top Door-RH, B	74	1601400	Drain Tube, Wire - 1/2" x 72"
21	3541017	Top Cabinet Hinge Cover, RH	75	6120050	Tube Clamp, Plastic, 5/8"
	3541211	Cover, Top Cabinet Hinge-RH,B	76	6200010	Screw, #10-12 x 3/4" Pan HD
	3541213	Cover, Top Cabinet Hinge-RH, P	77	6120210	U-Clamp, 5/8"
22	6110540	Bolt, #10-24 x 1/2" Flat Socket HD	78	3082140	Light Terminator
23	6200390	Screw, #6 x 3/8" T25 Flat Head PH	79	4161600	Light Assy, Lower Freezer
24	6200140	Screw, #8-15 x 3/8" Truss HD	80	2600297	Tube, Copper L-Shaped
25	4110353	Base Assy (w/rollers)	81	3520380	Compression Nut
26	4110331	Base Rear Roller Assy	82	3520370	Compression Sleeve
27	6200010	Screw, #10-12 x 3/4" Pan HD	83	4202790	Water Valve
28	3550560	Straight Pin, Base Assy, .312" x 2.88"	84	3520050	Brass Insert, Solenoid
29	3450620	Canoe Clip	85	3520030	Icemaker Nylon Nut, 1/4"
30	3421240	Cabinet Roller (Single)	86	2600617	Plastic Water Line
31	3570050	Leveling Leg, #18-3/8 x 1"	87	0168160	Solenoid Water Valve Bracket
32	6110580	Adjusting Screw	88	6200780	Screw, #10-24 x 1/2" PH Hex Washer
33	4151281	Cabinet Hinge Assy, Lower RH	89	6220220	Screw Grommet, 1/32" X 3/8" SQ.
	4151283	Hinge Assy, Lwr Cab-RH, B	90	1607700	Water Inlet Tube
	4151282	Cabinet Hinge Assy, Lower LH	91	6220470	Fill Tube Clamp
	4151284	Hinge Assy, Lwr Cab-LH, B	92	3070210	Heater, Fill Tube
34	4151241	Door Hinge, Bottom RH	93	3140360	Fill Cup Plug
	4151242	Door Hinge, Bottom LH	94	3024110	Fill Tube Extension
35	6231490	Tape, Foam XLPE	95	4200521	Icemaker Assembly
36	4201111	Door Closer Assy, RH	96	6200120	Screw, #10-12 x 1/2" Truss HD
	4201150	Door Closer Assy, SBS-RH,B	97	6200060	Screw, #8-32 x 1/2" Pan HD
	4201112	Door Closer Assy, LH	98	6120280	Tube Clamp, Nylon, 3/16"
	4201160	Door Closer Assy, SBS-LH,B	99	3421220	Icemaker Control Arm
37	NA	See 4201111, 1112, 1115 or 1116	100	6120330	Wire Clip
38	NA	See 4201111, 1112, 1115 or 1116	101	3421070	Connecting Rod
39	3450530	Door Closer Spring	102	4161542	Control Panel Assy
	3450710	Low Pull Door Closer Spring	103	4203790	Control Board Package
40	3421290	Door Closer Linkage	104	4152050	Cover Assy, Control
41	0165980	Door Closer Spring Retainer	105	3220300	Bushing, Strain Relief RT Angle
42	3421260	Door Closer Bearing	106	4200170	Refrig. Fan Mtr Cmpnts (Blade not Incl.)
	3421261	Bearing, Door Closer, B	107	0211620	Refrigerator Fan Brkt
43	3450570	Door Closer Cushion	108	3220250	Grommet, 3/16" x 7/16" x 9/32"
44	0165970	Door Closer Guide Support	109	3520410	Brass Insert, Fan
45	3421310	Door Closer Guide	110	6200130	Screw, #8-18 x 3/4" Truss HD
46	0166360	Door Stop Cushion Retainer	111	3150640	Fan blade, Ref/Fre Evap.
47	6180010	Pop Rivet, 1/8"	112	6220540	Screw Grommet / Stand-off
48	DS90	Door Stop-90 Degree (Sales Acc.)	113	4161510	Refrig. Fan Shroud Assembly
	DS90/B	Stop,Door Kit 90 Degree, B (Sales Acc.)	114	6201010	Screw, #8-15 x 2" Pan Head
	DS105	Door Stop-105 Degree (Sales Acc.)	115	0260550	Drain Trough Assembly
	DS105/B	Stop,Door Kit 105 Degree, B (Sales Acc.)	116	3520250	Water Inlet Fitting Assy
49	3450560	E - Ring, 7/16"			

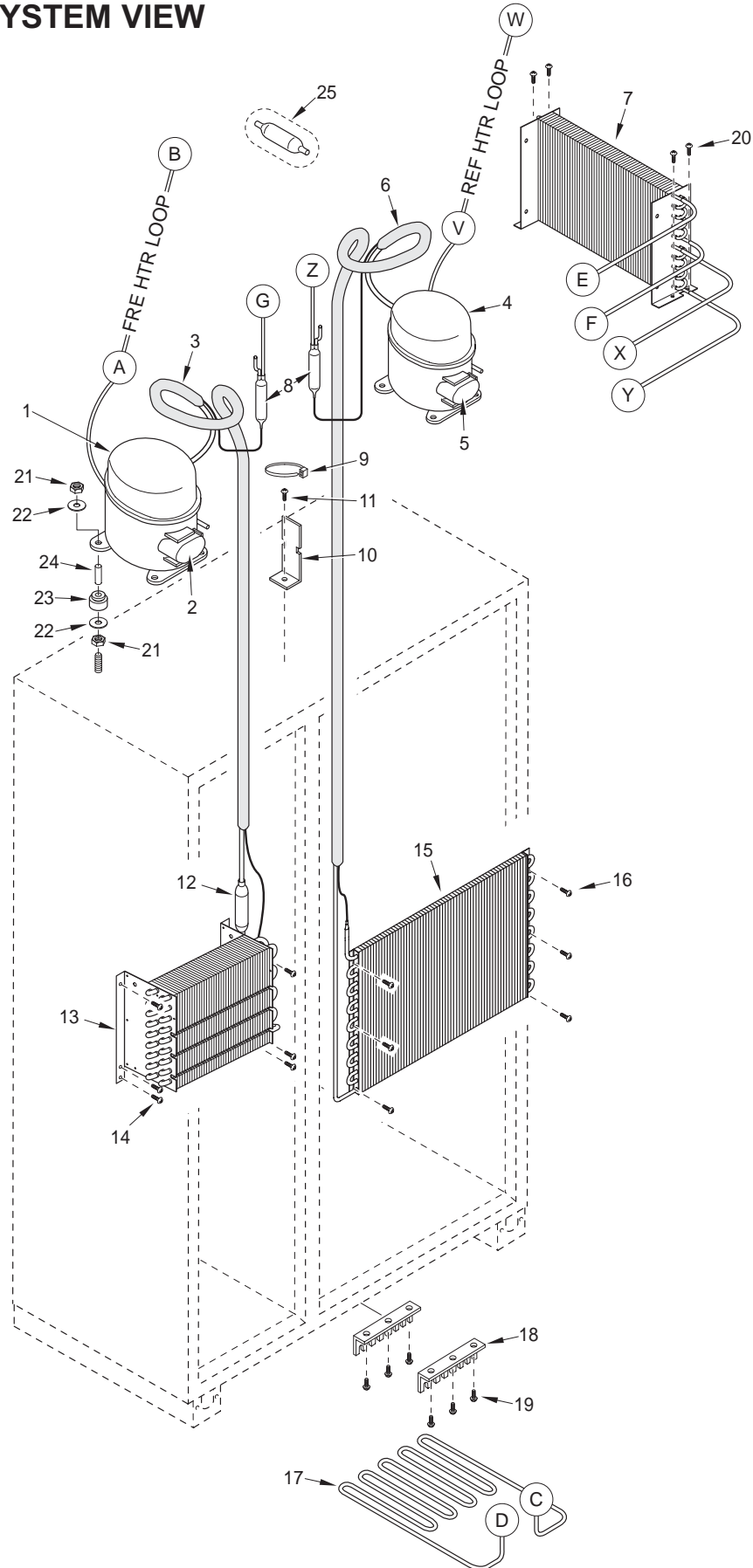
632-2 MECHANICAL VIEW



632-2 SEALED SYSTEM PARTS LIST

<u>Ref #</u>	<u>Part #</u>	<u>Description</u>
1	4202280	Compressor, Freezer (EMI60HER)
2	3111350	Relay, (8EA403) (Used with RG108 Compressor)
	3111041	Relay, (PTH490D-AS100) (Used with DA73 Compressor)
	3111460	Relay, (1351408) (Used with EMI60HER Compressor)
	3111390	Overload, (4TM419TFB) (Used with RG108 Compressor)
	3111430	Overload, (4TM419MFB) (Used with DA73 Compressor)
	3111470	Overload, (4TM757NFB) (Used with EMI60HER Compressor)
	3111133	Capacitor, (15Mf) (Used with RG108 Compressor)
	3111070	Running Capacitor, (12Mf) (Used with DA73 Compressor)
3	4251260	Heat Exchanger, Freezer
4	4201880	Compressor, Refrig. (EMI30HER)
5	3111370	Relay, (1351400 - For EMI30HER Comp)
	3111410	Overload, (4TM734LFB - For EMI30HER Comp)
6	4251560	Heat Exchanger, Refrigerator
7	3120480	Condenser, Dual
8	3014230	Filter-Drier, High Side
9	6120170	Locking Cable Tie, Red, 11-1/2"
10	0168040	Drier Bracket
11	6201270	Screw, #8-18 x 5/8" PH PN SS-Gnd
12	3011130	Freezer Accumulator
13	3130530	Evaporator Coil, Fre
14	6201270	Screw, #8-18 x 5/8" PH PN SS-Gnd
15	3130630	Evaporator, Refrig.
16	6201270	Screw, #8-18 x 5/8" PH PN SS-Gnd
17	2600138	Drain Pan Heater Loop
18	3421410	Drain Pan Heater Loop Support
19	6200010	Screw, #10-12 x 3/4" Pan HD
20	6200010	Screw, #10-12 x 3/4" Pan HD
21	6150220	Nut, 5/16-18 Hex Zinc
22	6240050	Flat Washer, 5/16"
23	3150010	Rubber Grommet, Small, 5/8"
	3150170	Rubber Grommet, Large, 15/16"
24	6160030	Spacer, 5/16 x 7/16 x 5/8"
	6160070	Sleeve, 5/16 x 7/16 x 7/8"
25	3014100	Suction Line Drier (Service Only)

632-2 SEALED SYSTEM VIEW

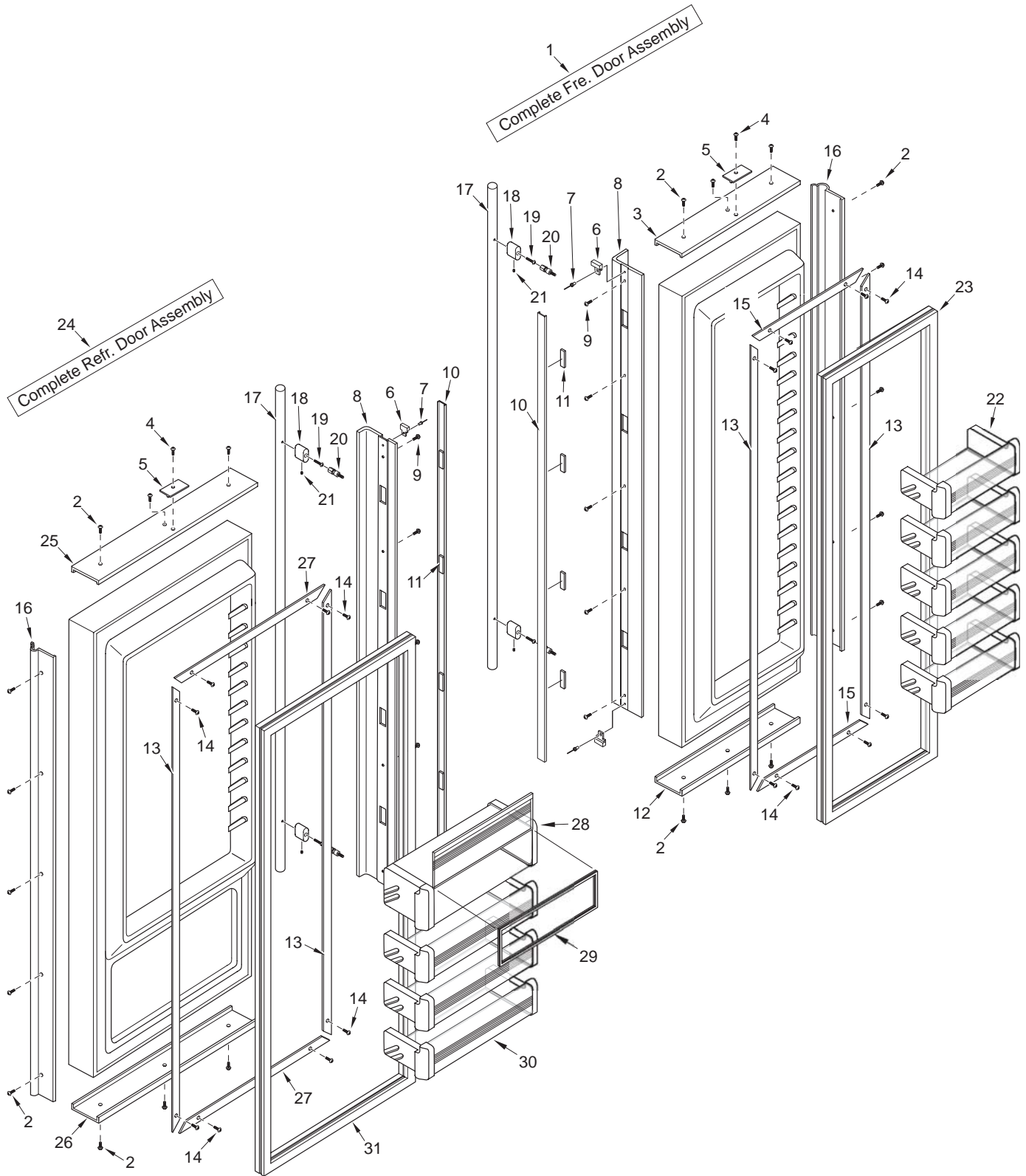


642-2 DOOR PARTS LIST

Ref #	Part #	Description	Ref #	Part #	Description
1	4133175	Freezer Door Assy, Frame/Overlay	17	4133730	Handle Assy, SS OBR Standoffs (Incl. Stand-offs)
	4133235	Fre Door Assy, SS		4133731	Handle Assy, OBR Standoff, B (Incl. Stand-offs)
	4135731	Door Assy, SRVC, 642 Fre, B		4133732	Handle Assy, OBR Standoff, P (Incl. Stand-offs)
	4135931	Door Assy, SRVC, 642 Fre, P			
NOTE: Door Assy's do NOT incl. hinges or handles.					
2	6200720	Screw, #8-18 x 1/2 PH Truss HD	18	3512150	Standoff, SS Oval
	6200721	Screw, #8-18X1/2 Ph Low Prfl, B		3512151	Standoff, Oval, B
3	2230617	Door Trim, Top; Freezer		3512152	Standoff, Oval, P
4	6200720	Screw, #8-18 x 1/2 PH Truss HD	19	6110540	Bolt, #10-24 x 1/2 Flat Socket HD
	6200721	Screw, #8-18X1/2 Ph Low Prfl, B	20	3511520	Handle Mounting Stud
5	4200940	Switch Depressor (Includes Screw)	21	6110730	Set Screw #10-32 X 1/4 SS Cone
	3421381	Depressor, Switch, B (Screw not Incl.)	22	4330650	Fre Door Shelf Assy
6	3413340	Handle/Trim End Cap	23	3212190	Door Gasket, Fre
7	6180160	Rivet, Open End Blind, 1/8 x 3/16	24	4133155	Refrigerator Door Assy, Frame/Overlay
8	4132220	Door Handle Assembly (Framed)		4133225	Refrigerator Door Assy, SS
	4132320	Handle-Side Door Trim (Overlay)		4135721	Door Assy, SRVC, 642 Ref, B
9	6201300	Tapping Screw, #8 x 1/2		4135921	Door Assy, SRVC, 642 Ref, P
10	4131860	Handle/Trim Molding Assy	25	2230615	Door Trim, Top; Refrigerator
11	3451140	Magnet, Trim Strip - 3"	26	2230616	Door Trim, Bottom; Refrigerator
12	2230618	Door Trim, Bottom; Freezer	27	3421620	Gasket Retainer, 23.125"
13	3420260	Gasket Retainer, 66.875"	28	4330560	Dairy Compartment Assy
14	6200410	Screw, #8 x 1/2 Slot Head Hex	29	3211850	Dairy Compartment Gasket
15	3421610	Gasket Retainer, 13.813"	30	4330550	Refrig. Door Shelf Assy
16	3511130	Door Trim, Hinge Side - (SS Model)		4330540	Gallon Door Shelf Assy (Sales Acc.)
	3511131	Door Trim, Hinge Side - Mitered Corner	31	3212180	Door Gasket, Refrigerator
	3512241	Trim, Door Hinge Side - Carbon			
	3512242	Trim, Door Hinge Side - Platinum			



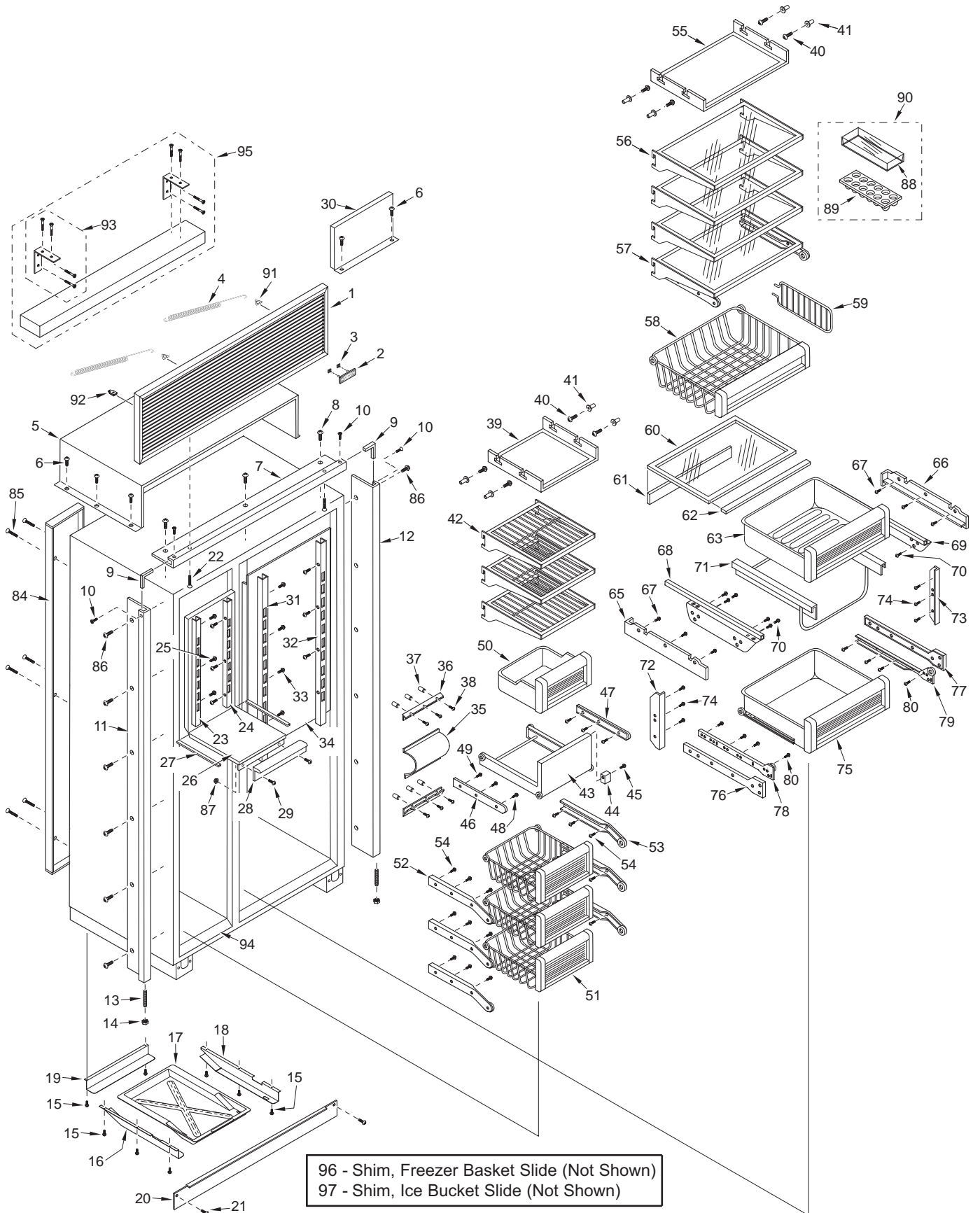
642-2 DOOR VIEW



642-2 COSMETIC PARTS LIST

Ref #	Part #	Description	Ref #	Part #	Description
1	6LG4211	Louvered Grille Assy, 42" x 11"	40	6201330	Screw, #8-18 x 5/8" PH PN SS-Gnd
	6PG4211	Panel Grille Assy, 42" x 11"	41	3520420	Insert / Diffuser Stand-off
	6SG4211/S	SS Grille, 42X11-CLSC	42	3602210	Freezer Wire Shelf
	6SG4211/B	SS Grille 42X11-CarBon	43	4181980	Ice Bkt Carriage Assy
	6SG4211/P	SS Grille 42X11-Platinum	44	3421090	IM Carriage Guide
2	3580210	Name Plate, Stick-on (See SN Breaks)	45	6200340	Screw, #6-20 x 1/2" Pan Head
	3580211	Nameplate, B, P (See SN Breaks)	46	3410932	Ice Bucket Slide, Left
	3580230	Name Plate w/ Pegs (See SN Breaks)	47	3410931	Ice Bucket Slide, Right
	3580270	Logo, Stainless 3 1/2" (Stick-on)	48	6200450	Screw, #8 x 1" Type AR Flat
	3580280	Logo, Framed 3 1/2" (w/ Pegs)	49	6200710	Screw, #8-18 x 3/8" Fillister HD
	3580290	Logo, Carbon 3 1/2", (Stick-on)	50	4181960	Ice Bucket Assy
3	6150140	Spring Grip Nut, 1/8"	51	4181970	Freezer Basket Assy
4	3450900	Grille Spring	52	4181842	Fre Bskt Slide Assy-LH
5	4280940	Unit Shroud Assy	53	4181841	Fre Bskt Slide Assy-RH
6	6201270	Screw, #8-18 x 5/8" PH PN SS-Gnd	54	6200450	Screw, #8 x 1" Type AR Flat
7	2234022	Frame, Main Top 42	55	4161990	Refrig. Light Diffuser Assembly
	3517020	Frame, Main Top 42, B	56	3602041	Glass Shelf, Spill Proof
	3517045	Frame, Main Top 42, P	57	4181650	Refrig. Roll-out Shelf Assy
8	6200010	Screw, #10-12 x 3/4 Pan HD	58	4181530	Refrig. Roll-out Basket Assy
9	2210701	Main Frame Angle	59	3411160	Ref Roll-Out Bskt Divider
10	6200070	Screw, #4-24 x 3/8 Flat HD	60	4151760	Crisper Glass Assembly (Incl Seals)
11	4120870	Frame Assy, Main Left-LH	61	3211780	Crisper Glass Seal, Rear
	4120871	Frame Assy, Main Left Side - LH, B	62	3211750	Crisper Glass Seal, Front
	4120872	Frame Assy, Main Left Side - LH, P	63	4181450	High Humidity Drawer Assembly
12	4120860	Frame Assy, Main Rt-RH	64	NA	
	4120861	Frame Assy, Main Right Side - RH, B	65	3421711	Top Crspr Glass Support, Narrow-RH
	4120862	Frame Assy, Main Right Side - RH, P	66	3421721	Top Crisper glass Support, Wide-RH
13	3550190	Bottom Hinge Stud	67	6201130	Screw, #8x 1/2" PH FL HD SS
14	6150200	Nut, 1/4-20 Hex	68	4181421	Top Crisper Slide Assy, Narrow-RH
	6150201	Nut, 1/4-20 Hex, B	69	4181411	Top Crisper Slide Assembly, Wide-RH
15	6200010	Screw, #10-12 x 3/4" Pan HD	70	6201270	Screw, #8-18 x 5/8" PH PN SS-Gnd
16	0262010	Support, Drain Pan, LH	71	3421780	Humidity Drawer Slide-Frame
17	2120121	Pan, Drain Vac Form	72	3421732	Crisper Filler Strip, Wide
18	0262000	Support, Drain Pan, RH	73	3421731	Crisper Filler Strip, Narrow
19	0262020	Support, Drain Pan, Rear	74	6201270	Screw, #8-18 x 5/8" PH PN SS-Gnd
20	0169820	Kickplate, Black-Solid	75	4181480	Small Storage Drawer Assembly
	0168210	Kickplate, Stainless Steel	76	3421691	Bot Crisper Slide Support, Narrow
	0168211	Kickplate, Solid-42", B	77	3421692	Bot Crisper Slide Support, Wide
	0168212	Kickplate, Solid-42", P	78	3413112	Bot Crisper Slide, Cabinet - Left
21	6200050	Screw, #10-12 Pan Hd	79	3413111	Bot Crisper Slide, Cabinet - Right
	6200720	Screw, #8-18x1/2 Ph Tr Hd (SS Model)	80	6201230	Screw, #8 x 7/8" w/a #7 PH FT Head
22	6201310	Screw, #8 x 1-3/4" Flat PH HD	81	NA	
23	3602252	Fre Shelf Ladder, Lft	82	NA	
24	3602251	Fre Shelf Ladder, Right	83	NA	
25	6200710	Screw, #8-18 x 3/8 Fillister HD	84	0261640	Duct, Back
26	0234830	Freezer Duct/Shelf	85	6201060	Screw, #8x1-1/4" Ph Flat Tap
27	3212060	Evaporator Shelf Seal	86	6200210	Screw, #8-32 x 1/2" Flat Head
28	3413930	Evaporator Shelf Front		6201550	Screw, #8-18 Lw Prfl
29	6201290	Screw, #8-15 PH PN HD SS	87	6150820	Palnut, .25
30	4280950	Compressor Shroud Assembly	88	3412280	Egg Tray Cover
31	3601812	Refrig. Shelf Ladder, Left	89	3412270	Egg Tray
32	3601811	Refrig. Shelf Ladder, Right	90	4131810	Egg Tray with Cover
33	6200710	Screw, #8-18 x 3/8" Fillister HD	91	3450520	Grille Hook
34	0201270	Refrig Evap Cover (See SN Breaks)	92	6150140	Spring Grip Nut, 1/8"
35	3500690	Fre Lwr Light Diffuser (See SN Breaks)	93	4201340	Blocking Hardware Package
36	0235130	Fre Lwr Light Diff Rtnr (See SN Breaks)	94	4203920	Patch, Fre Face Frm Sill
37	6220340	Screw Grommet / Stand-off	95	4202860	Blocking Components; 42"
38	6201010	Screw, #8-15 x 2" Pan Head	96	2121120	Shim, Fre. Basket Slide
39	4162050	Fre Light Diffuser Assy	97	3411970	Shim, Ice Bucket Slide

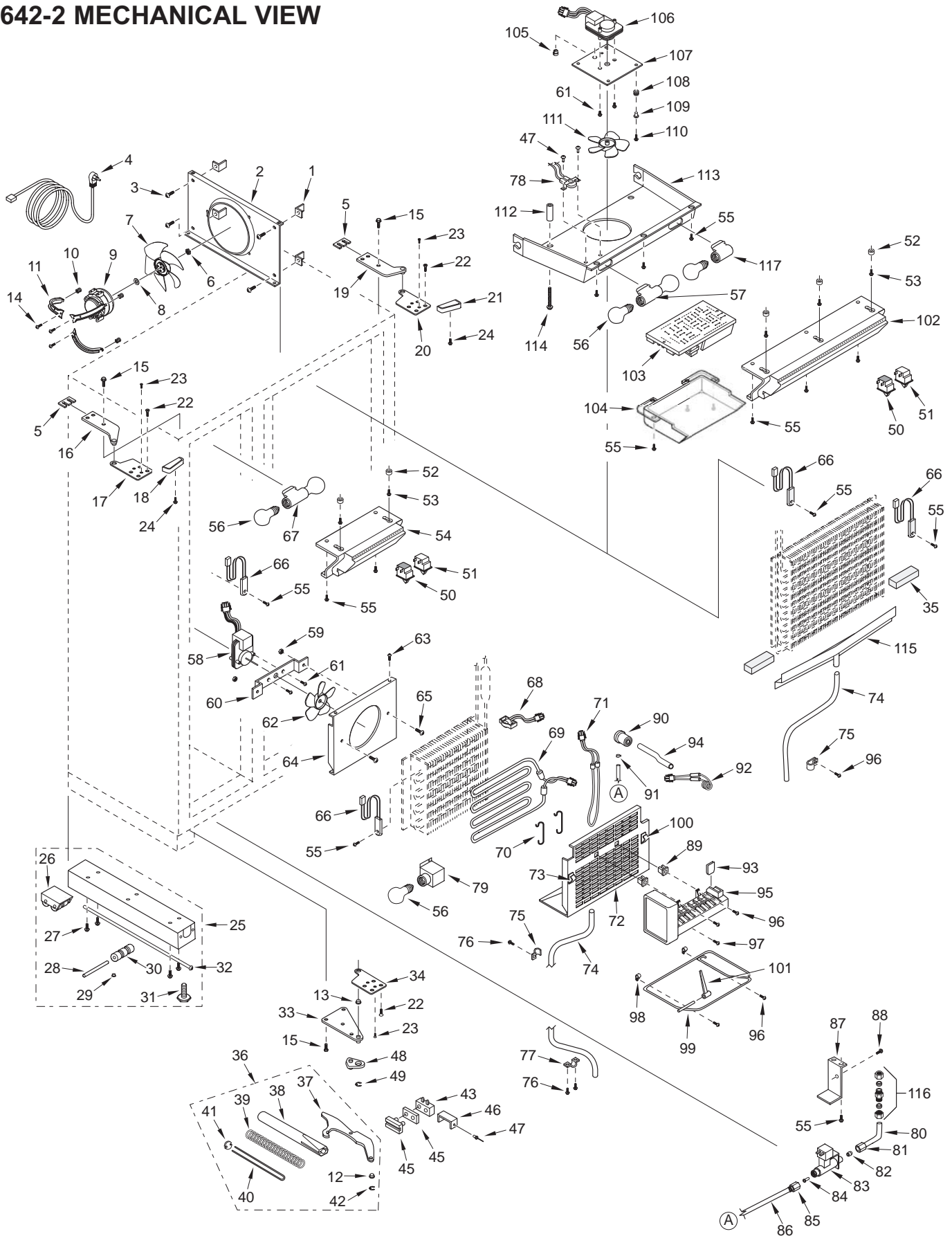
642-2 COSMETIC VIEW



642-2 MECHANICAL PARTS LIST

Ref #	Part #	Description	Ref #	Part #	Description
1	3450290	Angle Bracket	50	3060130	SPST Fan/Icemaker Switch (White)
2	0261200	Shroud, Cond Fan		3060131	Switch, Rocker N.O. Black
3	6200010	Screw, #10-12 x 3/4" Pan HD	51	3060140	SPST Light Switch (White)
4	3025560	Cord Assy, Power Supply		3060141	Switch, Rocker N.C. Black
5	0168680	Shim - Hinge	52	6160240	Nylon Spacer
6	6150410	Nut, 1/4-20	53	6200720	Screw, #8-18 x 1/2 PH Truss HD
7	3150800	Blade, Condenser Forward-SW	54	4161531	Freezer Front Pnl Assy
8	3210340	Neoprene Silencer, 7/8"	55	6201270	Screw, #8-18 x 5/8" PH PN SS-Gnd
9	4200740	Motor Pkg, Cond Fan (blade not incl.)	56	3030030	Light Bulb, 40 Watt
10	3220360	Grommet, Mtg Brkt	57	3050250	Sckt, Light Md Base DbI
11	0261150	Brkt, Cond Mounting (3)	58	4200160	Freezer Fan Motor (Blade not Incl.)
12	3450550	E-Ring / Klipping, 5/16"	59	6150030	Nut, #10-24 Hex SS
13	3421270	Hinge Bearing, 3/8" x 5/8"	60	0234360	Fan Support
	3421271	Bearing, Door, B	61	6110270	Bolt, #10-32 x 1/4" RD HD
14	6200490	Screw, #8-32 x 3/8" Slotted Hex T25	62	3150060	Fan Blade; Freezer; 5 Prop; 5-1/2"
15	6110070	Bolt, 1/4-20x3/4 Spinlock Zinc	63	6201270	Screw, #8-18 x 5/8" PH PN SS-Gnd
16	4151272	Cabinet Hinge Assy, Upper LH	64	0234880	Fre Evap Fan Shroud
	4151274	Hinge Assy, Upr Cab-LH, B	65	6110020	Bolt, #10-24 x 3/8" Truss HD
17	4151472	Door Hinge Assy, Top LH	66	4204150	Thermistor, ASM Srvc Pkg
	4151474	Hinge Assy, Top Door-LH, B	67	4161610	Light Assy, Upper Freezer (Incl. Socket)
18	3541018	Top Cabinet Hinge Cover, LH	68	3082060	Defrost Te rminator-55/30 Deg.
	3541212	Cover, Top Cabinet Hinge-LH,B	69	4322140	Defrost Heater Assy (See SN Breaks)
	3541214	Cover, Top Cabinet Hinge-LH, P	70	1801100	Heater Clip
19	4151271	Cabinet Hinge Assy, Upper RH	71	3013540	Drain Tube Heater
	4151273	Hinge Assy, Upr Cab-RH, B	72	4152040	Fre Evap Cover Assy.
20	4151471	Door Hinge Assy, Top RH	73	6120160	Cord Clip, Plastic, 5/16 x 1/2"
	4151473	Hinge Assy, Top Door-RH, B	74	1601400	Drain Tube, Wire - 1/2" x 72"
21	3541017	Top Cabinet Hinge Cover, RH	75	6120050	Tube Clamp, Plastic, 5/8"
	3541211	Cover, Top Cabinet Hinge-RH,B	76	6200010	Screw, #10-12 x 3/4" Pan HD
	3541213	Cover, Top Cabinet Hinge-RH, P	77	6120210	U-Clamp, 5/8"
22	6110540	Bolt, #10-24 x 1/2" Flat Socket HD	78	3082140	Light Terminator
23	6200390	Screw, #6 x 3/8" T25 Flat Head PH	79	4161600	Light Assy, Lower Freezer
24	6200140	Screw, #8-15 x 3/8" Truss HD	80	2600297	Tube, Copper L-Shaped
25	4110353	Base Assy (w/rollers)	81	3520380	Compression Nut
26	4110331	Base Rear Roller Assy	82	3520370	Compression Sleeve
27	6200010	Screw, #10-12 x 3/4" Pan HD	83	4202790	Water Valve
28	3550560	Straight Pin, Base Assy, .312" x 2.88"	84	3520050	Brass Insert, Solenoid
29	3450620	Canoe Clip	85	3520030	Icemaker Nylon Nut, 1/4"
30	3421240	Cabinet Roller (Single)	86	2600617	Plastic Water Line
31	3570050	Leveling Leg, #18-3/8 x 1"	87	0168160	Solenoid Water Valve Bracket
32	6110580	Adjusting Screw	88	6200780	Screw, #10-24 x 1/2" PH Hex Washer
33	4151281	Cabinet Hinge Assy, Lower RH	89	6220220	Screw Grommet, 1/32" X 3/8" SQ.
	4151283	Hinge Assy, Lwr Cab-RH, B	90	1607700	Water Inlet Tube
	4151282	Cabinet Hinge Assy, Lower LH	91	6220470	Fill Tube Clamp
	4151284	Hinge Assy, Lwr Cab-LH, B	92	3070210	Heater, Fill Tube
34	4151241	Door Hinge, Bottom RH	93	3140360	Fill Cup Plug
	4151242	Door Hinge, Bottom LH	94	3024110	Fill Tube Extension
35	6231490	Tape, Foam XLPE	95	4200521	Icemaker Assembly
36	4201111	Door Closer Assy, RH	96	6200120	Screw, #10-12 x 1/2" Truss HD
	4201150	Door Closer Assy, SBS-RH,B	97	6200060	Screw, #8-32 x 1/2" Pan HD
	4201112	Door Closer Assy, LH	98	6120280	Tube Clamp, Nylon, 3/16"
	4201160	Door Closer Assy, SBS-LH,B	99	3421630	Icemaker Control Arm
37	NA	See 4201111, 1112, 1115 or 1116	100	6120330	Wire Clip
38	NA	See 4201111, 1112, 1115 or 1116	101	3421070	Connecting Rod
39	3450530	Door Closer Spring	102	4161932	Control Panel Assy
	3450710	Low Pull Door Closer Spring	103	4203790	Control Board Package
40	3421290	Door Closer Linkage	104	4152050	Cover Assy, Control
41	0165980	Door Closer Spring Retainer	105	3220300	Bushing, Strain Relief RT Angle
42	3421260	Door Closer Bearing	106	4200170	Refrig. Fan Mtr Cmpnts (Blade not Incl.)
	3421261	Bearing, Door Closer, B	107	0211620	Refrigerator Fan Brkt
43	3450570	Door Closer Cushion	108	3220250	Grommet, 3/16" x 7/16" x 9/32"
44	0165970	Door Closer Guide Support	109	3520410	Brass Insert, Fan
45	3421310	Door Closer Guide	110	6200130	Screw, #8-18 x 3/4" Truss HD
46	0166360	Door Stop Cushion Retainer	111	3150640	Fan blade, Ref/Fre Evap.
47	6180010	Pop Rivet, 1/8"	112	6220540	Screw Grommet / Stand-off
48	DS90	Door Stop-90 Degree (Sales Acc.)	113	4161980	Refrig. Fan Shroud Assembly
	DS90/B	Stop,Door Kit 90 Degree, B (Sales Acc.)	114	6201010	Screw, #8-15 x 2" Pan Head
	DS105	Door Stop-105 Degree (Sales Acc.)	115	0212600	Drain Trough Assembly
	DS105/B	Stop,Door Kit 105 Degree, B (Sales Acc.)	116	3520250	Water Inlet Fitting Assy
49	3450560	E - Ring, 7/16"	117	3050230	Skt, Light M Base Sngl

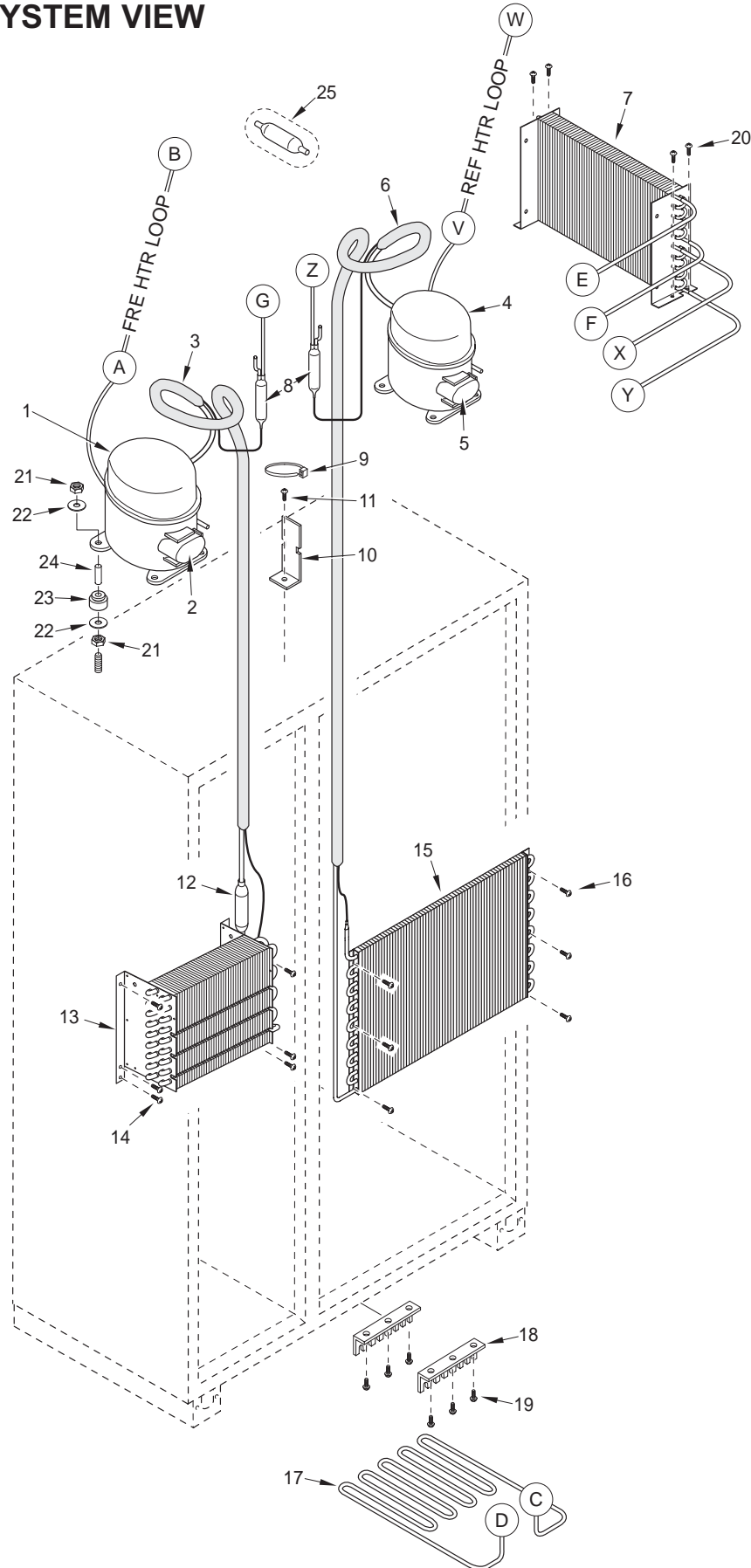
642-2 MECHANICAL VIEW



642-2 SEALED SYSTEM PARTS LIST

<u>Ref #</u>	<u>Part #</u>	<u>Description</u>
1	4202280	Compressor, Freezer (EMI60HER) (See SN Breaks)
2	3111041	Relay, (PTH490D-AS100) (Used with DA73 Compressor)
	3111460	Relay, (1351408) (Used with EMI60HER Compressor)
	3111430	Overload, (4TM419MFB) (Used with DA73 Compressor)
	3111470	Overload, (4TM757NFB) (Used with EMI60HER Compressor)
	3111070	Running Capacitor, (12Mf) (Used with DA73 Compressor)
3	4251400	Heat Exchanger, Freezer
4	4201880	Compressor, Refrig. (EMI30HER)
5	3111370	Relay, (1351400 - For EMI30HER Comp)
	3111410	Overload, (4TM734LFB - For EMI30HER Comp)
6	4251610	Heat Exchanger, Refrigerator
7	3120480	Condenser, Dual
8	3014230	Filter-Drier, High Side
9	6120170	Locking Cable Tie, Red, 11-1/2"
10	0168040	Drier Bracket
11	6201270	Screw, #8-18 x 5/8" PH PN SS-Gnd
12	3011130	Freezer Accumulator
13	3130590	Evaporator Coil, Fre
14	6201270	Screw, #8-18 x 5/8" PH PN SS-Gnd
15	3130630	Evaporator, Refrig.
16	6201270	Screw, #8-18 x 5/8" PH PN SS-Gnd
17	2600138	Drain Pan Heater Loop
18	3421410	Drain Pan Heater Loop Support
19	6200010	Screw, #10-12 x 3/4" Pan HD
20	6200010	Screw, #10-12 x 3/4" Pan HD
21	6150220	Nut, 5/16-18 Hex Zinc
22	6240050	Flat Washer, 5/16"
23	3150010	Rubber Grommet, Small, 5/8"
	3150170	Rubber Grommet, Large, 15/16"
24	6160030	Spacer, 5/16 x 7/16 x 5/8"
	6160070	Sleeve, 5/16 x 7/16 x 7/8"
25	3014100	Suction Line Drier (Service Only)

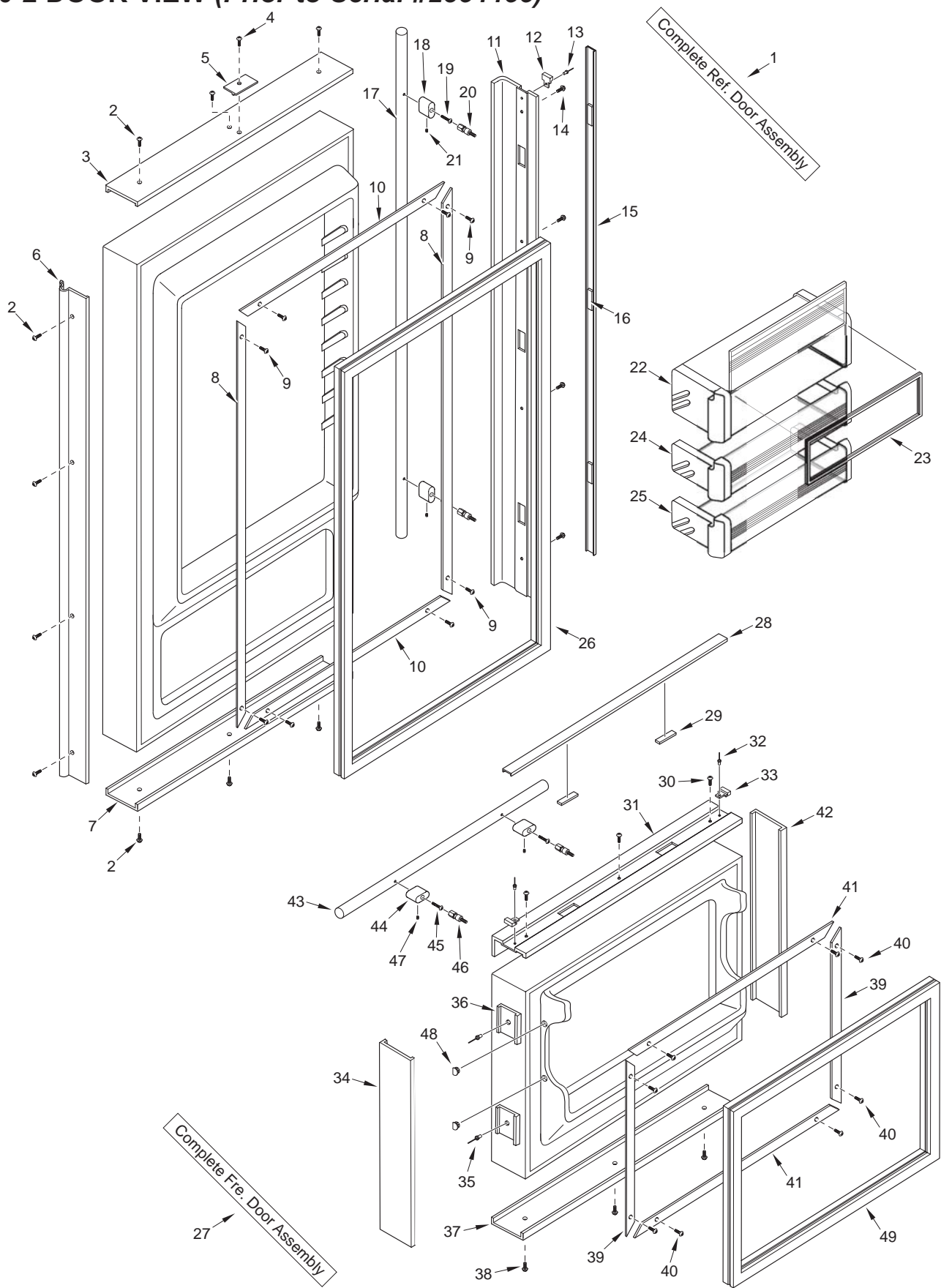
642-2 SEALED SYSTEM VIEW



650-2 DOOR PARTS LIST (Prior to Serial #2354455)

Ref #	Part #	Description	Ref #	Part #	Description
1	4132823	Door Assy, 650 Ref-RH (Framed/Overlay)	20	3511520	Handle Mounting Stud
	4132824	Door Assy, 650 Ref-LH (Framed/Overlay)	21	6110730	Set Screw #10-32 x 1/4 SS Cone
	4133213	Refrig. Door Assy, SS-RH	22	4330490	Dairy Compartment Assy
	4133214	Refrig. Door Assy, SS-LH	23	3211820	Dairy Compartment Gasket
	4125633	Door Assy, SRVC, 650-RH, B	24	4330480	Refrig. Door Shelf Assy
	4125634	Door Assy, SRVC, 650-LH, B	25	4330530	Gallon Door Shelf Assy (Sales Acc.)
	4135833	Door Assy, SRVC, 650-RH, P	26	3212130	Door Gasket, Refrigerator
	4135834	Door Assy, SRVC, 650-LH, P	27	4132795	Drawer Assy, Fre (Frame/Overlay)
NOTE: Door Assy's do NOT incl. hinges or handles.				4133215	Fre Drawr Assy-SS
2	6200720	Screw, #8-18 x 1/2 Ph Truss Hd		4134870	Drawer Assy, 650, B
	6200721	Screw, #8-18X1/2 Ph Low Prfl, B		4135020	Drawer Assy, 650, P
3	2230606	Refrig. Door Trim, Top - RH	28	4131880	Handle/Trim Molding Assy, Freezer
	2230607	Refrig. Door Trim, Top - LH	29	3451140	Magnet, Trim Strip
4	6200720	Screw, #8-18 x 1/2 Ph Truss Hd	30	6201300	Tapping Screw, #8 x 1/2
	6200721	Screw, #8-18X1/2 Ph Low Prfl, B	31	4132250	Drawer Handle Assy, Freezer (Framed)
5	4200940	Switch Depressor (Includes Screw)		4132350	Handle-Side Door Trim, Freezer (Overlay)
	3421381	Depressor, Switch, B (Screw not Incl.)	32	6180160	Rivet, Open End Blind, 1/8 x 3/16
6	3511140	Door Trim, Hinge Side - (SS Model)	33	3413340	Handle/Trim End Cap
	3511141	Door Trim, Hinge Side - Mitered Corner	34	2230701	Fre Drawer Trim, Rt Side
	3512231	Trim, Door Hinge Side-Carbon	35	6180040	Pop Rivet, 3/16 x 1/8 Grip
	3512232	Trim, Door Hinge Side-Platinum	36	3450460	Door Trim Clip
7	2230608	Refrig. Door Trim, Bottom - RH	37	2230605	Freezer Drawer Trim, Bottom
	2230609	Refrig. Door Trim, Bottom - LH	38	6200720	Screw, #8-18 x 1/2 Ph Truss Hd
8	3420240	Gasket Retainer, Side Ref, 47.438		6200721	Screw, #8-18X1/2 Ph Low Prfl, B
9	6200410	Screw, #8 x 1/2 Slot Head Hex	39	3420150	Gasket Retainer, 17.312
10	3420220	Gasket Retainer, 33.312"	40	6200410	Screw, #8 x 1/2 Slot Head Hex
11	4132240	Door Handle Assy, Refrig. (Framed)	41	3420220	Gasket Retainer, 33.312"
	4132340	Handle-Side Door Trim, Ref. (Overlay)	42	2230702	Fre Drawer Trim, Lt Side
12	3413340	Handle/Trim End Cap	43	4133720	Handle Assy, Obr Standoff-Fre
13	6180160	Rivet, Open End Blind, 1/8 x 3/16			(Incl. Stand-offs)
14	6201300	Tapping Screw, #8 x 1/2		4133721	Handle Assy, Obr Standoff, B - Fre
15	4131870	Handle/Trim Molding Assy, Refrig.			(Incl. Stand-offs)
16	3451140	Magnet, Trim Strip - 3"		4133722	Handle Assy, Obr Standoff, P - Fre
17	4133700	Handle Assy, SS OBR Standoff-Ref			(Incl. Stand-offs)
		(Incl. Stand-offs)	44	3512160	Standoff, SS Oval, Drwr
	4133701	Handle Assy, OBR Standoff, B		3512161	Standoff, Oval, B
		(Incl. Stand-offs)		3512162	Standoff, Oval, P
	4133702	Handle Assy, OBR Standoff, P	45	6110540	Bolt, #10-24 x 1/2 Flat Socket HD
		(Incl. Stand-offs)	46	3511520	Handle Mounting Stud
18	3152150	Standoff, SS Oval	47	6110730	Set Screw #10-32 x 1/4 SS Cone
	3512151	Standoff, Oval, B	48	3550230	White Plastic Plug, 3/4
	3512152	Standoff, Oval, P	49	3212120	Door Gasket, Fre. (See SN Breaks)
19	6110540	Bolt, #10-24 x 1/2 Flat Socket HD			

650-2 DOOR VIEW (Prior to Serial #2354455)

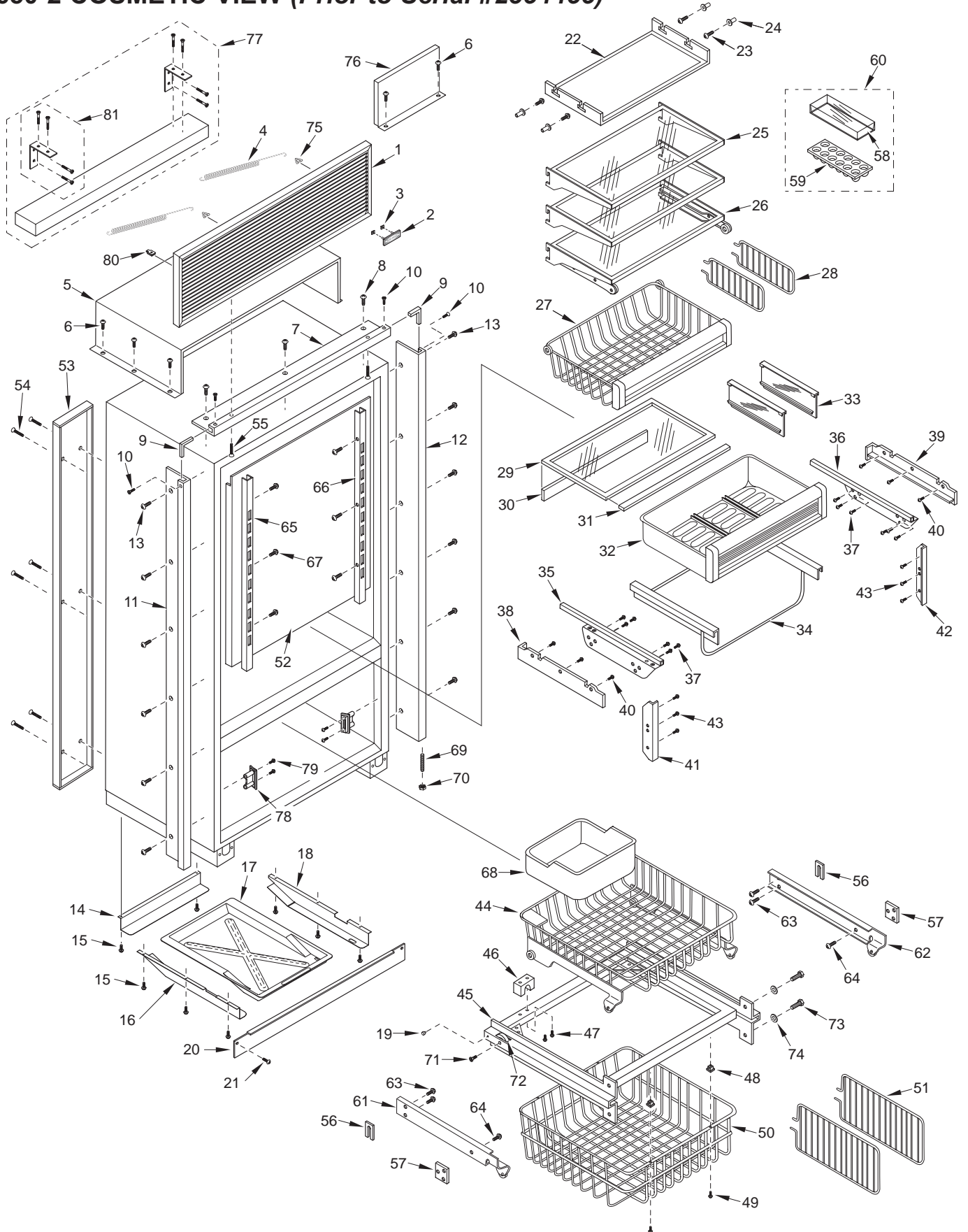


650-2 COSMETIC PARTS LIST (Prior to Serial #2354455)

Ref #	Part #	Description	Ref #	Part #	Description
1	6LG3611	Louvered Grille Assy, 36" x 11"	31	3211730	Crisper Glass Seal, Front
	6PG3611	Panel Grille Assy, 36" x 11"	32	4181440	High Humidity Drawer Assembly
	6SG3611/S	SS Grille, 36X11-CLSC	33	3413100	Drawer Divider
	6SG3611/B	SS Grille 36X11-CarBon	34	3421770	Humidity Drawer Slide-Frame
	6SG3611/P	SS Grille 36X11-Platinum	35	4181412	Top Crisper Slide Assembly, Wide-LH
2	3580210	Name Plate, Stick-on (See SN Breaks)		4181421	Top Crisper Slide Assembly, Narrow-RH
	3580211	Nameplate, B, P (See SN Breaks)	36	4181411	Top Crisper Slide Assembly, Wide-RH
	3580230	Name Plate w/ Pegs (See SN Breaks)		4181422	Top Crisper Slide Assembly, Narrow-LH
	3580270	Logo, Stainless 3 1/2" (Stick-on)	37	6201270	Screw, #8-18 x 5/8" PH PN SS-Gnd
	3580280	Logo, Framed 3 1/2" (w/ Pegs)	38	3421711	Top Crspr Glass Support, Narrow-RH
	3580290	Logo, Carbon 3 1/2", (Stick-on)		3421722	Top Crisper glass Support, Wide-LH
3	6150140	Spring Grip Nut, 1/8"	39	3421712	Top Crisper Glass Support, Narrow-LH
4	3450900	Grille spring		3421721	Top Crisper Glass Support, Wide-RH
5	4280940	Unit Shroud Assembly	40	6201130	Screw, #8x 1/2" PH FL HD SS
6	6201270	Screw, #8-18 x 5/8" PH PN SS-Gnd	41	3421741	Crisper Filler Strip, Narrow (if RH)
7	2234021	Frame, Main Top 36 LH		3421742	Crisper Filler Strip, Wide (if LH)
	3517019	Frame, Main Top 36-LH, B	42	3421741	Crisper Filler Strip, Narrow (if LH)
	3517044	Frame, Main Top 36-LH, P		3421742	Crisper Filler Strip, Wide (if RH)
	2234020	Frame, Main Top 36 RH	43	6201270	Screw, #8-18 x 5/8" PH PN SS-Gnd
	3517018	Frame, Main Top 36-RH, B	44	4181810	Upper Fre Basket Assy
	3517043	Frame, Main Top 36-RH, P	45	4181790	Drawer Slide Assy, Fre
8	6200010	Screw, #10-12 x 3/4" Pan HD	46	3420950	Upper Freezer Basket Restraint
9	2210701	Main Frame Angle	47	6200340	Screw, #6-20 x 1/2" Pan Head
10	6200070	Screw, #4-24 x 3/8" Flat HD	48	6220110	Screw Grommet, 1/2" x 9/16"
	6200071	Screw, #4-24X3/8 Flat Hd, B	49	6200130	Screw, #8-18 x 3/4" Truss HD
11	2234004	Frame, Main Left-RH	50	3413690	Lower Freezer Basket
	3517004	Frame, Main Side Left-RH, B	51	3413700	Lower Fre Bskt Divider
	3517029	Frame, Main Side Left-RH, P	52	0201130	Refrig Evap Cover
	2234027	Frame, Main Side Left-LH	53	0261640	Duct, Back
	3517025	Frame, Main Side Left-LH, B	54	6201060	Screw, #8x1-1/4" PH FLAT TAP
	3517050	Frame, Main Side Left-LH, P	55	6201310	Screw, #8 x 1-3/4" Flat PH HD
12	2234006	Frame, Main Side Right-LH		6201311	Screw, #8X1-3/4 Flt Ph Hd, B
	3517006	Frame, Main Side Right-LH, B	56	0232310	Drawer Slide Shim, Rear
	3507031	Frame, Main Side Right-LH, P	57	0232300	Drawer Slide Shim, Front - .060"
	2234026	Frame, Main Side Right-RH		2121180	Shim, Freezer Drawer Front-.030"
	3517024	Frame, Main Side Right-RH, B	58	3412280	Egg Tray Cover
	3517049	Frame, Main Side Right-RH, P	59	3412270	Egg Tray
13	6201550	Screw, #8-18 Lw Prfl	60	4131810	Egg Tray with Cover
14	0262020	Support, Drain Pan, Rear	61	4181801	Cab Slide Assy, Fre; RT
15	6200010	Screw, #10-12 x 3/4" Pan HD	62	4181802	Cab Slide Assy, Fre; LT
16	0262010	Support, Drain Pan, LH	63	6110330	Screw, #10-32 x 1/4" Chrome Plate
17	2120121	Pan, Drain Vac Form	64	6200590	Screw, #12 x 1" Type A Zinc Flat HD
18	0262000	Support, Drain Pan, RH	65	3601821	Refrig. shelf ladder, Right
19	3550300	Glide, Rear Drawer 1/2X1/4	66	3601822	Refrig. shelf ladder, Left
20	0169520	Kickplate, Solid	67	6200710	Screw, #8-18 x 3/8" Fillister HD
	0167820	Kickplate, Stainless Steel	68	3411340	Ice Bucket
	0167821	Kickplate, Solid 36", B	69	3550190	Bottom Hinge Stud
	0167822	Kickplate, Solid 36", P	70	6150200	Nut, 1/4-20 Hex
21	6200050	Screw, #10-12 Pan Hd	71	6110260	Bolt, 1/4-20 x 1/2" Flat HD
	6200720	Screw, #8-18x1/2 Ph Tr Hd (SS Model)	72	3420900	Roller Bearing
22	4161870	Refrig. Light Diffuser Assembly	73	6110450	Bolt, 1/4-20 x 1/2" Whiz Lock
23	6201330	Screw, #8-18 x 5/8" PH PN SS-Gnd	74	6240040	Flat Washer, 1/4"
24	3520420	Insert / Diffuser Stand-off	75	3450520	Grille Hook
25	3601901	Glass Shelf, Spill Proof	76	4280950	Compsr Shroud Assy
26	4181620	Refrig. Roll-out Shelf Assy	77	4201320	Blocking Components; 36"
27	4181520	Refrig. Roll-out Basket Assy	78	3421860	Grommet, Spprt Insul.
28	3411160	Ref Roll-Out Bskt Divider	79	6200010	Screw, #10-12 x 3/4" Pan HD
29	4151750	Crisper Glass Assembly (Incl. Seals)	80	6150140	Spring Grip Nut, 1/8"
30	3211760	Crisper Glass Seal, Rear	81	4201340	Blocking Hardware Package



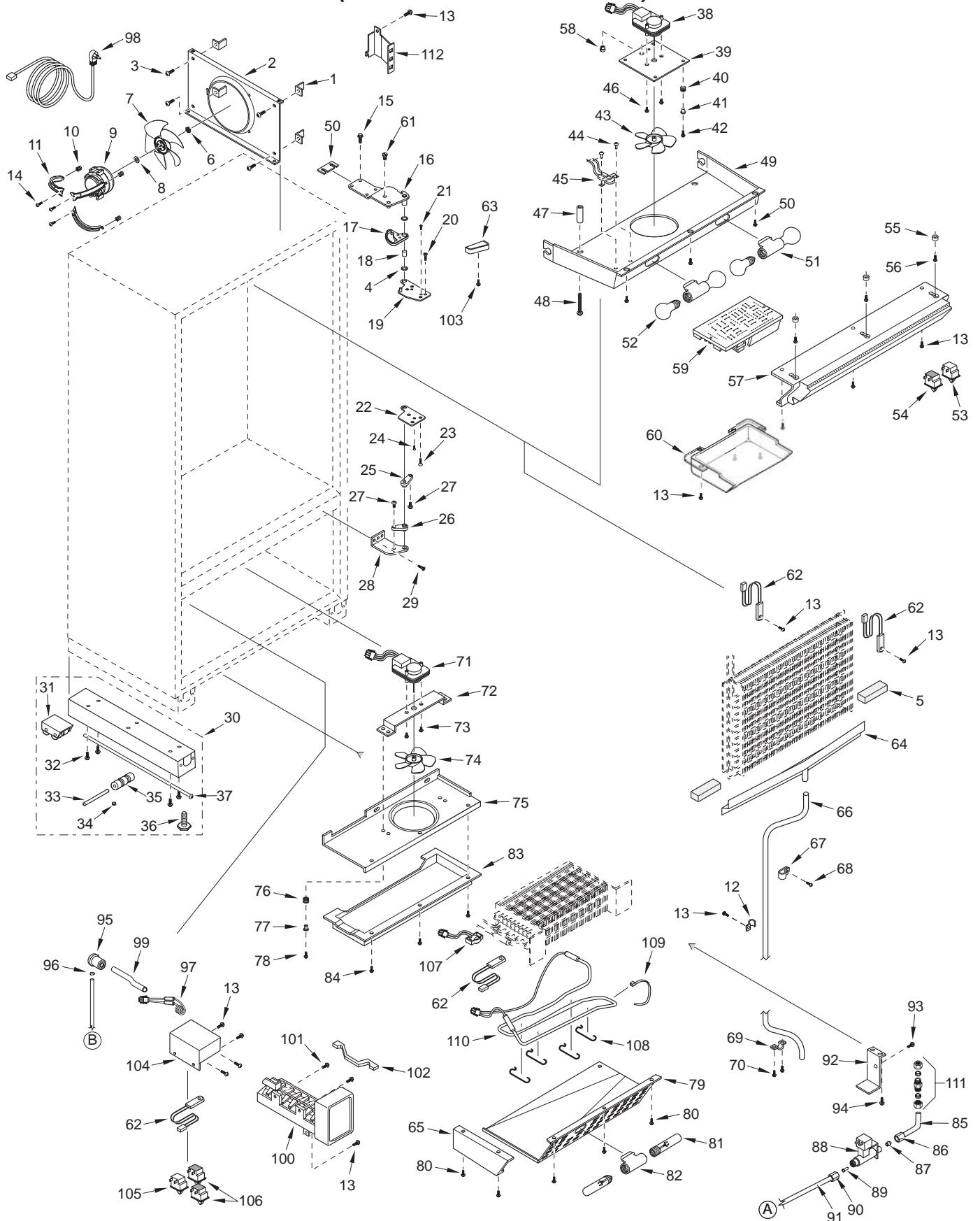
650-2 COSMETIC VIEW (Prior to Serial #2354455)



650-2 MECHANICAL PARTS LIST (Prior to Serial #2354455)

Ref #	Part #	Description	Ref #	Part #	Description
1	3450290	Bracket, A ngle #8a	52	3030030	Light Bulb, 40 Watt
2	0261200	Shroud, Cond Fan	53	3060130	SPST Fan/Icemaker Switch (White)
3	6200010	Screw, #10-12 x 3/4" Pan HD		3060131	Switch, Rocker N.O. Black
4	3430120	Bushing, Door	54	3060140	SPST Light Switch (White)
5	6231490	Tape, Foam XLPE		3060141	Switch, Rocker N.C. Black
6	6150410	Nut, 1/4-20	55	6160240	Nylon Spacer
7	3150800	Blade, Condenser Forward-SW	56	6200720	Screw, #8-18 x 1/2 PH Truss HD
8	3210340	Neoprene Silencer, 7/8"	57	4161342	Control Panel Assy
9	4200740	Motor Pkg, Cond Fan (blade not incl.)	58	3220300	Bushing, Strain Relief RT Angle
10	3220360	Grommet, Mtg Brkt	59	4204030	Board, Control SRVC
11	0261150	Bracket, Cond Fan Mounting (3)	60	4152050	Cover Assy, Control
12	6120050	Tube Clamp, Plastic, 5/8"	61	3550770	90° Stop Pin
13	6201270	Screw, #8-18 x 5/8" PH PN SS-Gnd	62	4204150	Thermistor, ASM Srvc Pkg
14	6200490	Screw, #8-32 x 3/8" Slotted Hex T25	63	3541017	Top Cabinet Hinge Cover, RH
15	6110070	Bolt, 1/4-20x3/4 Spinlock Zinc		3541211	Cover, Top Cabinet Hinge-RH,B
16	4151831	Upper Cabinet Hinge - RH		3541213	Cover, Top Cabinet Hinge-RH, P
	4151833	Hinge Assy, Upr Cab-RH, B		3541018	Top Cabinet Hinge Cover, LH
	4151832	Upper Cabinet Hinge - LH		3541212	Cover, Top Cabinet Hinge-LH,B
	4151834	Hinge Assy, Upr Cab-LH, B		3541214	Cover, Top Cabinet Hinge-LH, P
17	3421800	Door Stop Cam	64	0260540	Drain Trough, Ref
	3421801	Cam, Door Stop, B	65	0234300	Fre Evap. Cvr Lft Side
18	3421790	Bearing, Top Door Hinge	66	1601400	Drain Tube, Wire - 1/2" x 72"
19	4151841	Hinge, Door Top - RH	67	6120050	Tube Clamp, Plastic, 5/8"
	4151843	Hinge Assy,Door-Top RH, B	68	6200120	Screw, #10-12 x 1/2" Truss HD
	4151842	Hinge, Door Top - LH	69	6120210	U-Clamp, 5/8"
	4151844	Hinge Assy,Door-Top LH, B	70	6200010	Screw, #10-12 x 3/4" Pan HD
20	6110540	Bolt, #10-24 x 1/2" Flat Socket HD	71	4200160	Freezer Fan Motor Pkg. (Blade not Incl.)
21	6200390	Screw, #6 x 3/8" T25 Flat Head PH	72	0232280	Fan Bracket, Fre
22	0182381	Door Hinge, Bottom; RH	73	6110270	Bolt, #10-32 x 1/4" RD HD
	0182383	Hinge, Bottom Door-RH, B	74	3150640	Fan blade, Ref/Fre Evap.
	0182382	Door Hinge, Bottom; LH	75	4281510	Shroud Assy, Fre Evap
	0182384	Hinge, Bottom Door-LH, B	76	3220250	Grommet, 3/16" x 7/16" x 9/32"
23	6110540	Bolt, #10-24 x 1/2" Flat Socket HD	77	3520120	Brass Insert, Fan Bracket
24	6200390	Screw, #6 x 3/8" T25 Flat Head PH	78	6200670	Screw, #6-18 x 3/4" Teks
25	3420690	Bottom Door Hinge Cam	79	0235230	Cover, Fre Evap
	3420691	Cam, Top Door Closer, B	80	6200120	Screw, #10-12 x 1/2" Truss HD
26	3420681	Bottom Cabinet Hinge Cam, RH	81	3030040	Light Bulb, Long/Narrow; 40 watt
	3420683	Cam, Bottom Door Closer-RH, B	82	3050220	Socket, Light Base Sngl (See SN Breaks)
	3420682	Bottom Cabinet Hinge Cam, LH	83	0234310	Fre Air Duct Assy
	3420684	Cam, Bottom Door Closer-LH, B	84	6200120	Screw, #10-12 x 1/2" Truss HD
27	6110270	Bolt, #10-32 x 1/4" RD HD	85	2600297	Tube, Copper L-Shaped
	6110271	Bolt, #10-32x1/4 RD HD, B	86	3520380	Compression Nut
28	4152011	Cabinet Hinge, Bot - RH	87	3520370	Compression Sleeve
	4152013	Hinge Assy, Lower-RH, B	88	4202790	Water Valve
	4152012	Cabinet Hinge, Bot - LH	89	3520050	Brass Insert, Solenoid
	4152014	Hinge Assy, Lower-LH, B	90	3520030	Icemaker Nylon Nut, 1/4"
29	6110010	Bolt, #10-24 x 1/2" Flat Head UC	91	2600617	Plastic Water Line
30	4110353	Base Assy (w/rollers)	92	0168160	Solenoid Water Valve Bracket
31	4110331	Base Rear Roller Assy	93	6200780	Screw, #10-24 x 1/2" PH Hex Washer
32	6200010	Screw, #10-12 x 3/4" Pan HD	94	6201270	Screw, #8-18 x 5/8" PH PN SS-Gnd
33	3550560	Straight Pin, Base Assy, .312" x 2.88"	95	1607700	Water Inlet Tube
34	3450620	Canoe Clip	96	6220470	Fill Tube Clamp
35	3421240	Cabinet Roller (Single)	97	3070210	Heater, Fill Tube
36	3570050	Leveling Leg, #18-3/8 x 1"	98	3025560	Cord Assy, Power Supply
37	6110580	Adjusting Screw	99	2605410	Water Inlet Tube Extension
38	4200170	Refrig. Fan Motor Pkg. (Blade not Incl.)	100	4200522	Icemaker Assembly
39	0211620	Refrigerator Fan Bracket	101	6200120	Screw, #10-12 x 1/2" Truss HD
40	3220250	Grommet, 3/16" x 7/16" x 9/32"	102	3140400	Icemaker Rudder Arm
41	3520410	Brass Insert, Fan	103	6200140	Screw, #8-15 x 3/8" Truss HD
42	6110270	Bolt, #10-32 x 1/4" RD HD	104	0233820	Switch Housing, Freezer
43	3150640	Fan blade, Ref/Fre Evap.	105	3060140	SPST Light Switch
44	6180010	Pop Rivet, 1/8"	106	3060130	SPST Fan/Icemaker Switch
45	3082140	Light Terminator	107	3082060	Defrost Terminator-55/30 Deg.
46	6110270	Bolt, #10-32 x 1/4" RD HD	108	1801100	Heater Clip
47	6220540	Screw Grommet / Stand-off	109	6120340	Aluminum Strap
48	6201010	Screw, #8-15 x 2" Pan Head	110	4324640	Defrost Heater Assy (See SN Breaks)
49	4161330	Refrig. Fan Shroud Assy	111	3520250	Water Inlet Fitting Assy
50	0168680	Shim - Hinge	112	NA	
51	3050250	Skt, Light MBase DbI			

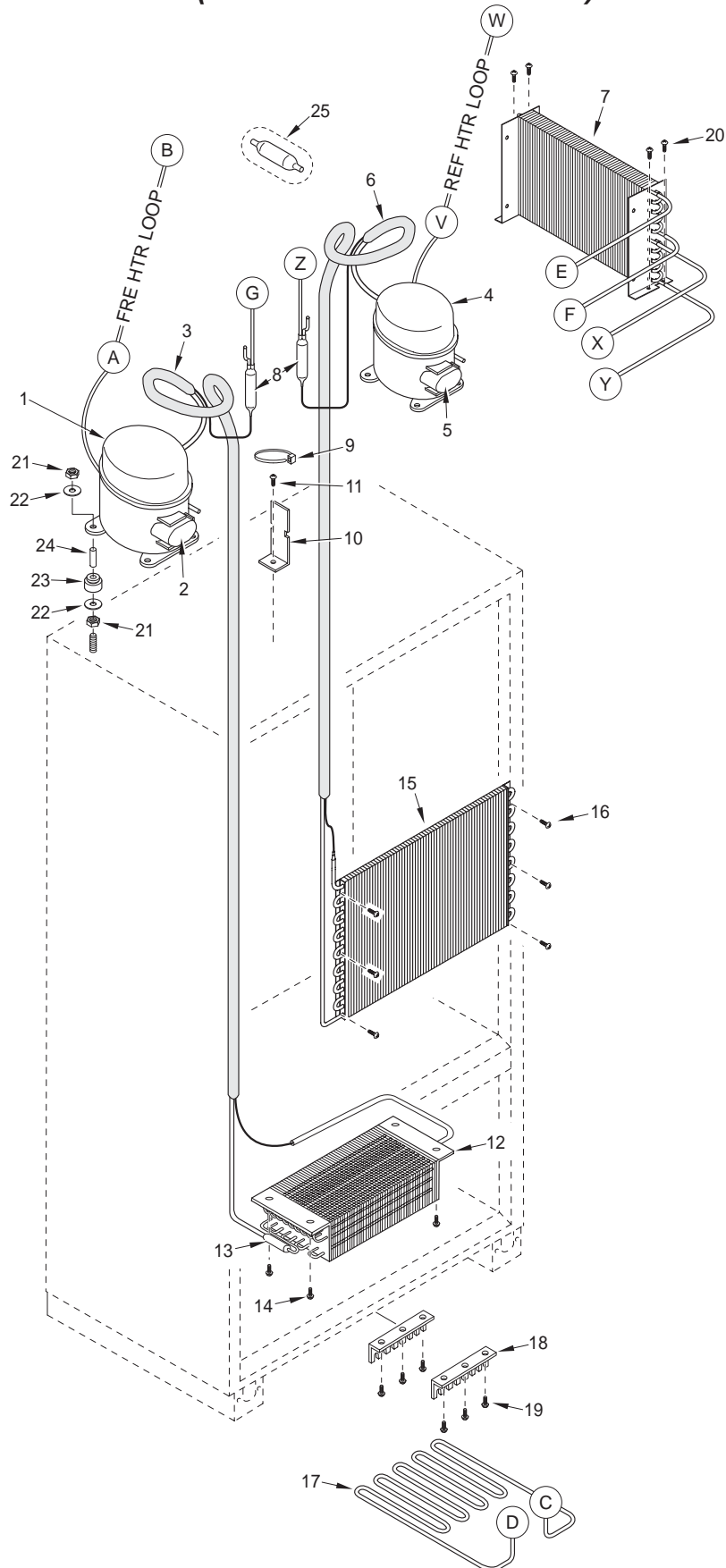
650-2 MECHANICAL VIEW (Prior to Serial #2354455)



650-2 SEALED SYSTEM PARTS LIST (Prior to Serial #2354455)

<u>Ref #</u>	<u>Part #</u>	<u>Description</u>
1	4202280	Compressor, (EMI60HER)
2	3111041	Relay, (PTH490) (Used with DA73 Compressor)
	3111460	Relay, (1351408) (Used with EMI60HER Compressor)
	3111430	Overload (4TM419MFB) (Used with DA73 Compressor)
	3111470	Overload, (4TM757NFB) (Used with EMI60HER Compressor)
	3111070	Capacitor (12Mf) (Used with DA73 Compressor)
3	4251270	Heat Exchanger, Freezer
4	4201880	Compressor, Refrig. (EMI30HER)
5	3111370	Relay, (1351400 - for EMI30HER)
	3111410	Overload, (4TM734LFB - for EMI30HER)
6	4251570	Heat Exchanger, Refrigerator
7	3120480	Condenser, Dual
8	3014230	Filter-Drier, High Side
9	6120170	Locking Cable Tie, Red, 11-1/2"
10	0168040	Drier Bracket
11	6201270	Screw, #8-18 x 5/8" PH PN SS-Gnd
12	3130580	Evaporator Coil, Fre
13	3011130	Freezer Accumulator
14	6200120	Screw, #10-12 x 1/2" Truss HD
15	3130630	Evaporator, Refrig.
16	6201270	Screw, #8-18 x 5/8" PH PN SS-Gnd
17	2600138	Drain Pan Heater Loop
18	3421410	Drain Pan Heater Loop Support
19	6200010	Screw, #10-12 x 3/4" Pan HD
20	6200010	Screw, #10-12 x 3/4" Pan HD
21	6150220	Nut, 5/16-18 Hex Zinc
22	6240050	Flat Washer, 5/16"
23	3150010	Rubber Grommet, Small, 5/8"
	3150170	Rubber Grommet, Large, 15/16"
24	6160030	Spacer, 5/16 x 7/16 x 5/8"
	6160070	Sleeve, 5/16 x 7/16 x 7/8"
25	3014100	Suction Line Drier (Service Only)

650-2 SEALED SYSTEM VIEW (Prior to Serial #2354455)

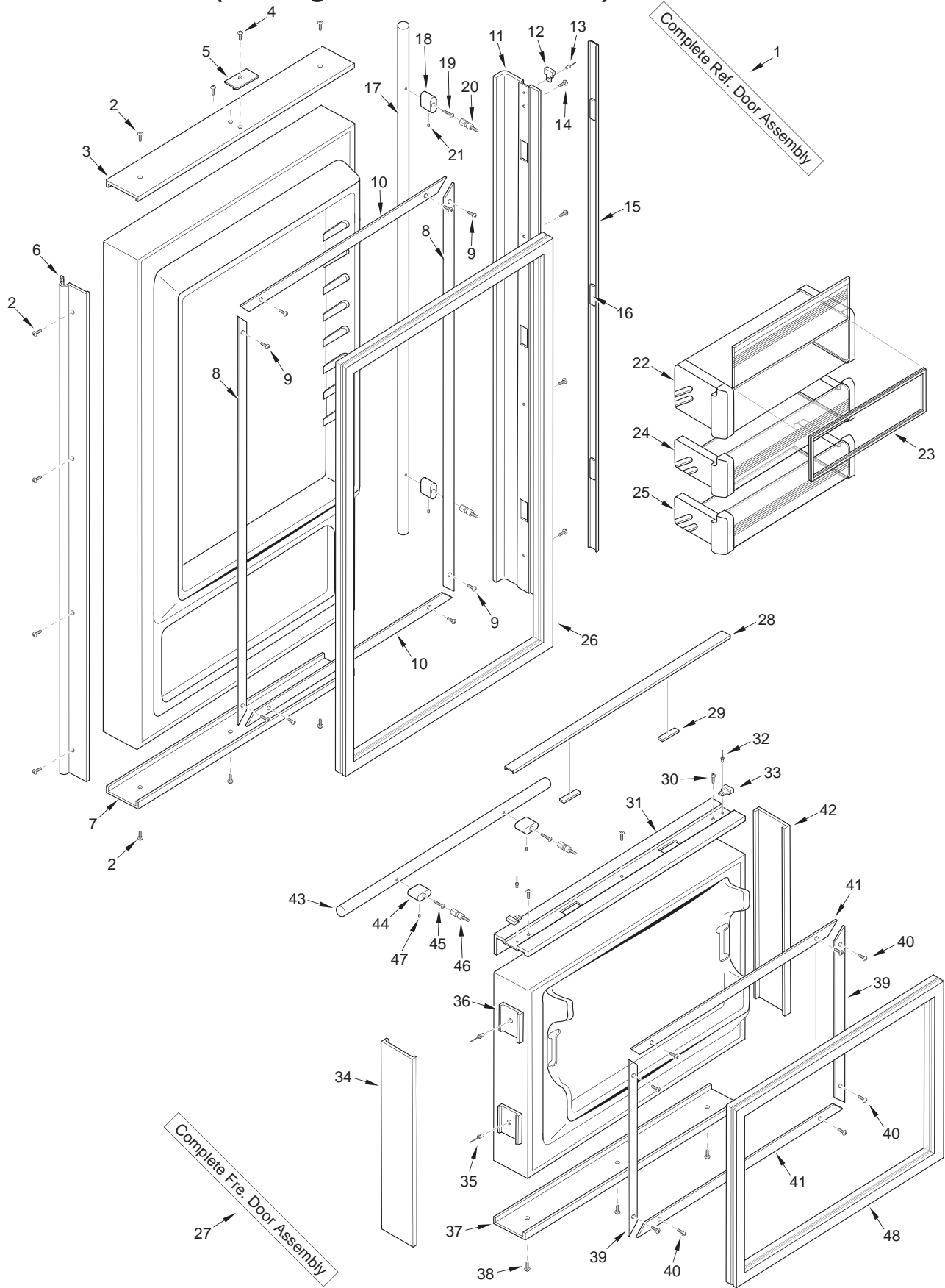


650-2 DOOR PARTS LIST (Starting with Serial #2354455)

Ref #	Part #	Description	Ref #	Part #	Description
1	4132823	Door Assy, 650 Ref-RH (Framed/Overlay)	19	6110540	Bolt, #10-24 x 1/2 Flat Socket HD
	4132824	Door Assy, 650 Ref-LH (Framed/Overlay)	20	3511520	Handle Mounting Stud
	4133213	Refrig. Door Assy, SS-RH	21	6110730	Set Screw #10-32 x 1/4 SS Cone
	4133214	Refrig. Door Assy, SS-LH	22	4330490	Dairy Compartment Assy
	4125633	Door Assy, SRVC, 650-RH, B	23	3211820	Dairy Compartment Gasket
	4125634	Door Assy, SRVC, 650-LH, B	24	4330480	Refrig. Door Shelf Assy
	4135833	Door Assy, SRVC, 650-RH, P	25	4330530	Gallon Door Shelf Assy (Sales Acc.)
	4135834	Door Assy, SRVC, 650-LH, P	26	3212130	Door Gasket, Refrigerator
NOTE: Door Assy's do NOT incl. hinges or handles.			27	4135971	Drawer Assy Front, Svc 650F/O
2	6200720	Screw, #8-18 x 1/2 Ph Truss Hd		4136021	Drawer Assy Front, Svc 650S
	6200721	Screw, #8-18X1/2 Ph Low Prfl, B		4136361	Drawer Assy Front, Svc 650B
3	2230606	Refrig. Door Trim, Top - RH		4136371	Drawer Assy Front, Svc 650P
	2230607	Refrig. Door Trim, Top - LH	28	4131880	Handle/Trim Molding Assy, Freezer
4	6200720	Screw, #8-18 x 1/2 Ph Truss Hd	29	3451140	Magnet, Trim Strip
	6200721	Screw, #8-18X1/2 Ph Low Prfl, B	30	6201300	Tapping Screw, #8 x 1/2
5	4200940	Switch Depressor (Includes Screw)	31	4132250	Drawer Handle Assy, Freezer (Framed)
	3421381	Depressor, Switch, B (Screw not Incl.)		4132350	Handle-Side Door Trim, Freezer (Overlay)
6	3511140	Door Trim, Hinge Side - (SS Model)	32	6180160	Rivet, Open End Blind, 1/8 x 3/16
	3511141	Door Trim, Hinge Side - Mitered Corner	33	3413340	Handle/Trim End Cap
	3512231	Trim, Door Hinge Side-Carbon	34	2230701	Fre Drawer Trim, Rt Side
	3512232	Trim, Door Hinge Side-Platinum	35	6180040	Pop Rivet, 3/16 x 1/8 Grip
7	2230608	Refrig. Door Trim, Bottom - RH	36	3450460	Door Trim Clip
	2230609	Refrig. Door Trim, Bottom - LH	37	2230605	Freezer Drawer Trim, Bottom
8	3420240	Gasket Retainer, Side Ref, 47.438	38	6200720	Screw, #8-18 x 1/2 Ph Truss Hd
9	6200410	Screw, #8 x 1/2 Slot Head Hex		6200721	Screw, #8-18X1/2 Ph Low Prfl, B
10	3420220	Gasket Retainer, 33.312"	39	3420150	Gasket Retainer, 17.312
11	4132240	Door Handle Assy, Refrig. (Framed)	40	6200410	Screw, #8 x 1/2 Slot Head Hex
	4132340	Handle-Side Door Trim, Ref. (Overlay)	41	3420220	Gasket Retainer, 33.312"
12	3413340	Handle/Trim End Cap	42	2230702	Fre Drawer Trim, Lt Side
13	6180160	Rivet, Open End Blind, 1/8 x 3/16	43	4133720	Handle Assy, Obr Standoff-Fre
14	6201300	Tapping Screw, #8 x 1/2			(Incl. Stand-offs)
15	4131870	Handle/Trim Molding Assy, Refrig.		4133721	Handle Assy, Obr Standoff, B - Fre
16	3451140	Magnet, Trim Strip - 3"			(Incl. Stand-offs)
17	4133700	Handle Assy, SS OBR Standoff-Ref		4133722	Handle Assy, Obr Standoff, P - Fre
		(Incl. Stand-offs)			(Incl. Stand-offs)
	4133701	Handle Assy, OBR Standoff, B	44	3512160	Standoff, SS Oval, Drwr
		(Incl. Stand-offs)		3512161	Standoff, Oval, B
	4133702	Handle Assy, OBR Standoff, P		3512162	Standoff, Oval, P
		(Incl. Stand-offs)	45	6110540	Bolt, #10-24 x 1/2 Flat Socket HD
18	3152150	Standoff, SS Oval	46	3511520	Handle Mounting Stud
	3512151	Standoff, Oval, B	47	6110730	Set Screw #10-32 x 1/4 SS Cone
	3512152	Standoff, Oval, P	48	3212120	Door Gasket, Fre.



650-2 DOOR VIEW (Starting with Serial #2354455)

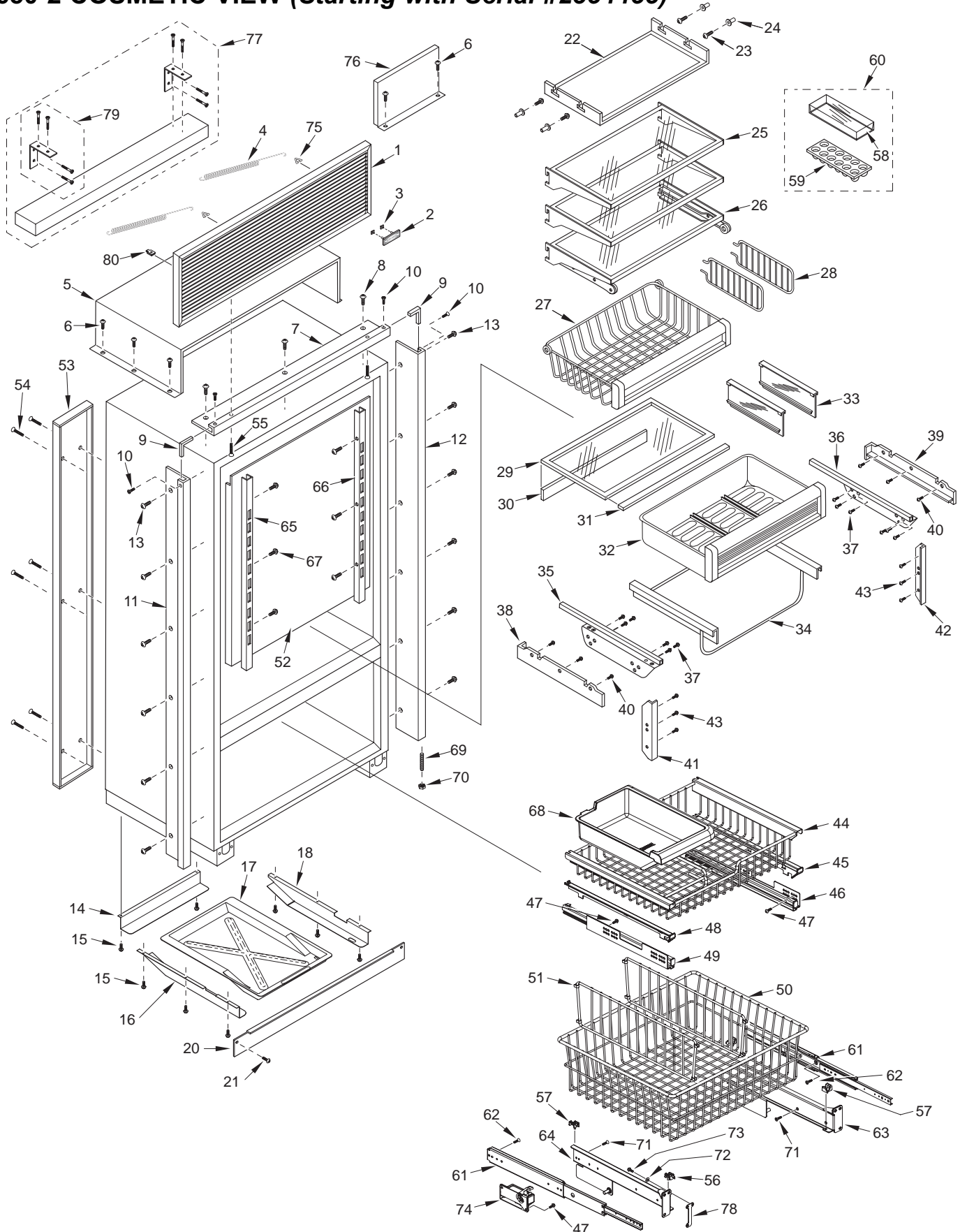


650-2 COSMETIC PARTS LIST (Starting with Serial #2354455)

Ref #	Part #	Description	Ref #	Part #	Description
1	6LG3611	Louvered Grille Assy, 36" x 11"	30	3211760	Crisper Glass Seal, Rear
	6PG3611	Panel Grille Assy, 36" x 11"	31	3211730	Crisper Glass Seal, Front
	6SG3611/S	SS Grille, 36X11-CLSC	32	4181440	High Humidity Drawer Assembly
	6SG3611/B	SS Grille 36X11-CarBon	33	3413100	Drawer Divider
	6SG3611/P	SS Grille 36X11-Platinum	34	3421770	Humidity Drawer Slide-Frame
2	3580210	Name Plate, Stick-on (See SN Breaks)	35	4181412	Top Crisper Slide Assembly, Wide-LH
	3580211	Nameplate, B, P (See SN Breaks)		4181421	Top Crisper Slide Assembly, Narrow-RH
	3580230	Name Plate w/ Pegs (See SN Breaks)	36	4181411	Top Crisper Slide Assembly, Wide-RH
	3580270	Logo, Stainless 3 1/2" (Stick-on)		4181422	Top Crisper Slide Assembly, Narrow-LH
	3580280	Logo, Framed 3 1/2" (w/ Pegs)	37	6201270	Screw, #8-18 x 5/8" PH PN SS-Gnd
	3580290	Logo, Carbon 3 1/2", (Stick-on)	38	3421711	Top Crspr Glass Support, Narrow-RH
3	6150140	Spring Grip Nut, 1/8"		3421722	Top Crisper glass Support, Wide-LH
4	3450900	Grille spring	39	3421712	Top Crisper Glass Support, Narrow-LH
5	4280940	Unit Shroud Assembly		3421721	Top Crisper Glass Support, Wide-RH
6	6201270	Screw, #8-18 x 5/8" PH PN SS-Gnd	40	6201130	Screw, #8x 1/2" PH FL HD SS
7	2234021	Frame, Main Top 36 LH	41	3421741	Crisper Filler Strip, Narrow (if RH)
	3517019	Frame, Main Top 36-LH, B		3421742	Crisper Filler Strip, Wide (if LH)
	3517044	Frame, Main Top 36-LH, P	42	3421741	Crisper Filler Strip, Narrow (if LH)
	2234020	Frame, Main Top 36 RH		3421742	Crisper Filler Strip, Wide (if RH)
	3517018	Frame, Main Top 36-RH, B	43	6201270	Screw, #8-18 x 5/8" PH PN SS-Gnd
	3517043	Frame, Main Top 36-RH, P	44	3414690	Basket, Fre Upr
8	6200010	Screw, #10-12 x 3/4" Pan HD	45	3422331	Retainer, Upper Fre Basket RH
9	2210701	Main Frame Angle	46	3414611	Slide, Full Ex Quadro 18" V6+ RH
10	6200070	Screw, #4-24 x 3/8" Flat HD	47	6110030	Bolt, #10-24 x 1/2", Round Head
	6200071	Screw, #4-24X3/8 Flat Hd, B	48	3422332	Retainer, Upper Fre Basket LH
11	2234004	Frame, Main Left-RH	49	3414612	Slide, Full Ex Quadro 18" V6+ LH
	3517004	Frame, Main Side Left-RH, B	50	3414710	Basket, Fre Lwr
	3517029	Frame, Main Side Left-RH, P	51	3414760	Divider, Lwr Basket
	2234027	Frame, Main Side Left-LH	52	0201260	Refrig Evap Cover
	3517025	Frame, Main Side Left-LH, B	53	0261640	Duct, Back
	3517050	Frame, Main Side Left-LH, P	54	6201060	Screw, #8x1-1/4" PH FLAT TAP
12	2234006	Frame, Main Side Right-LH	55	6201310	Screw, #8 x 1-3/4" Flat PH HD
	3517006	Frame, Main Side Right-LH, B		6201311	Screw, #8X1-3/4 Flt Ph Hd, B
	3507031	Frame, Main Side Right-LH, P	56	3422341	Retainer, Lower Fre Basket RH
	2234026	Frame, Main Side Right-RH	57	3422342	Retainer, Lower Fre Basket LH
	3517024	Frame, Main Side Right-RH, B	58	3412280	Egg Tray Cover
	3517049	Frame, Main Side Right-RH, P	59	3412270	Egg Tray
13	6201550	Screw, #8-18 Lw Prfl	60	4131810	Egg Tray with Cover
14	0262020	Support, Drain Pan, Rear	61	3414590	Slide, Full Extension 18"
15	6200010	Screw, #10-12 x 3/4" Pan HD	62	6110970	Machine Screw, 1/4-20 X 1 #10FL
16	0262010	Support, Drain Pan, LH	63	3422321	Rail Assy, Drawer Slide Right
17	2120121	Pan, Drain Vac Form	64	3422322	Rail Assy, Drawer Slide Left
18	0262000	Support, Drain Pan, RH	65	3601821	Refrig. shelf ladder, Right
19	3550300	Glide, Rear Drawer 1/2X1/4	66	3601822	Refrig. shelf ladder, Left
20	0169520	Kickplate, Solid	67	6200710	Screw, #8-18 x 3/8" Fillister HD
	0167820	Kickplate, Stainless Steel	68	3414740	Bucket, Ice
	0167821	Kickplate, Solid 36", B	69	3550190	Bottom Hinge Stud
	0167822	Kickplate, Solid 36", P	70	6150200	Nut, 1/4-20 Hex
21	6200050	Screw, #10-12 Pan Hd	71	6111020	Mach Screw, #10-24X3/8 UN FL HD
	6200720	Screw, #8-18x1/2 Ph Tr Hd (SS Model)	72	6240340	Washer, Flat 1/4X5/8 X .045 SS
22	4161870	Refrig. Light Diffuser Assembly	73	6110980	Cap Screw, 1/4-20X3/4 Button HD
23	6201330	Screw, #8-18 x 5/8" PH PN SS-Gnd	74	3541320	Closer, Drawer LH
24	3520420	Insert / Diffuser Stand-off	75	3450520	Grille Hook
25	3601901	Glass Shelf, Spill Proof	76	4280950	Compsr Shroud Assy
26	4181620	Refrig. Roll-out Shelf Assy	77	4201320	Blocking Components; 36"
27	4181520	Refrig. Roll-out Basket Assy	78	0187010	Spacer, Drawer Rail
28	3411160	Ref Roll-Out Bskt Divider	79	4201340	Blocking Hardware Package
29	4151750	Crisper Glass Assembly (Incl. Seals)	80	6150140	Spring Grip Nut, 1/8"



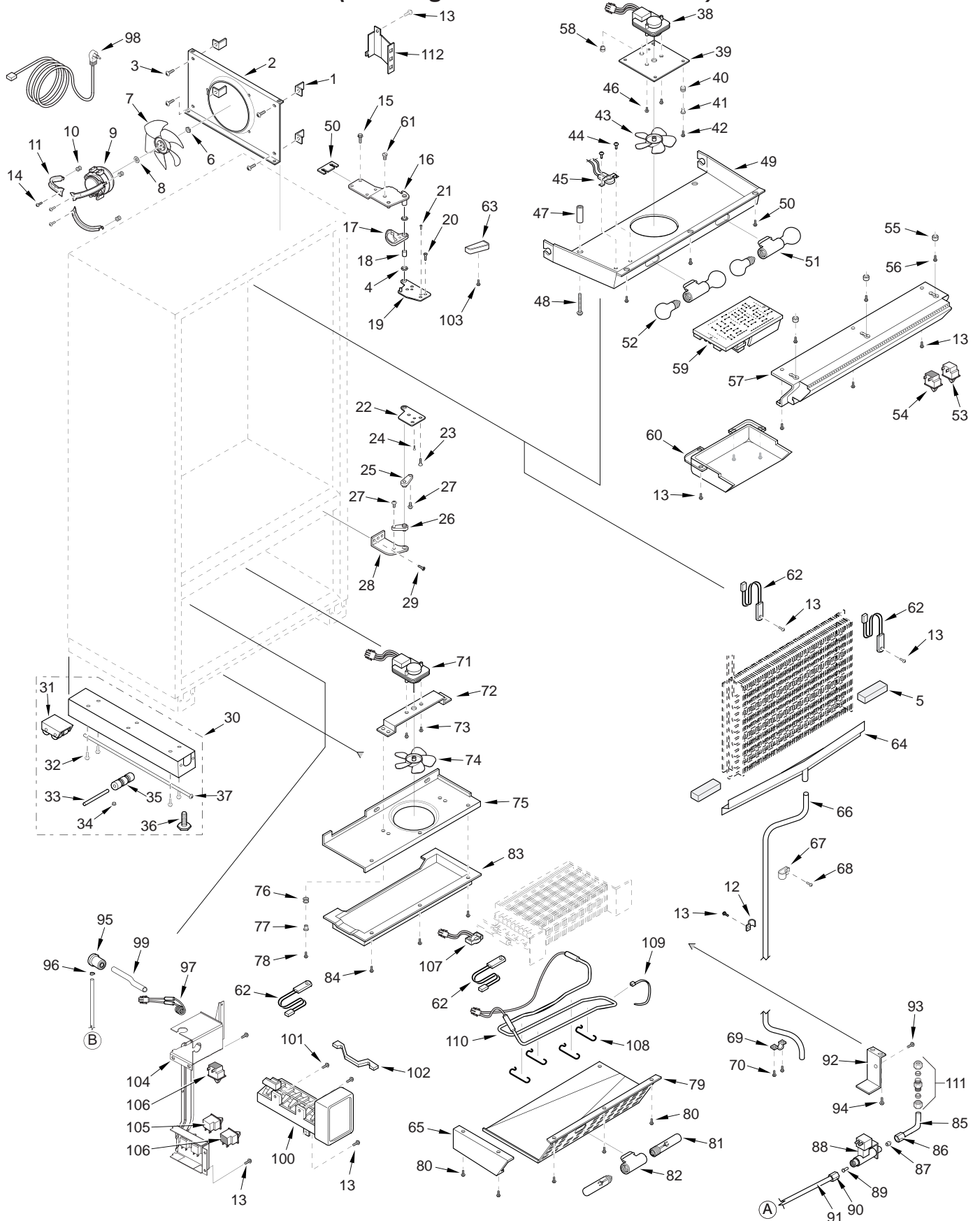
650-2 COSMETIC VIEW (Starting with Serial #2354455)



650-2 MECHANICAL PARTS LIST (Starting with Serial #2354455)

Ref #	Part #	Description	Ref #	Part #	Description
1	3450290	Bracket, A ngle #8a	52	3030030	Light Bulb, 40 Watt
2	0261200	Shroud, Cond Fan	53	3060130	SPST Fan/Icemaker Switch (White)
3	6200010	Screw, #10-12 x 3/4" Pan HD		3060131	Switch, Rocker N.O. Black
4	3430120	Bushing, Door	54	3060140	SPST Light Switch (White)
5	6231490	Tape, Foam XLPE		3060141	Switch, Rocker N.C. Black
6	6150410	Nut, 1/4-20	55	6160240	Nylon Spacer
7	3150800	Blade, Condenser Forward-SW	56	6200720	Screw, #8-18 x 1/2 PH Truss HD
8	3210340	Neoprene Silencer, 7/8"	57	4161342	Control Panel Assy
9	4200740	Motor Pkg, Cond Fan (blade not incl.)	58	3220300	Bushing, Strain Relief RT Angle
10	3220360	Grommet, Mtg Brkt	59	4204030	Board, Control SRVC
11	0261150	Bracket, Cond Fan Mounting (3)	60	4152050	Cover Assy, Control
12	6120050	Tube Clamp, Plastic, 5/8"	61	3550770	90° Stop Pin
13	6201270	Screw, #8-18 x 5/8" PH PN SS-Gnd	62	4204150	Thermistor, ASM Srvc Pkg
14	6200490	Screw, #8-32 x 3/8" Slotted Hex T25	63	3541017	Top Cabinet Hinge Cover, RH
15	6110070	Bolt, 1/4-20x3/4 Spinlock Zinc		3541211	Cover, Top Cabinet Hinge-RH,B
16	4151831	Upper Cabinet Hinge - RH		3541213	Cover, Top Cabinet Hinge-RH, P
	4151833	Hinge Assy, Upr Cab-RH, B		3541018	Top Cabinet Hinge Cover, LH
	4151832	Upper Cabinet Hinge - LH		3541212	Cover, Top Cabinet Hinge-LH,B
	4151834	Hinge Assy, Upr Cab-LH, B		3541214	Cover, Top Cabinet Hinge-LH, P
17	3421800	Door Stop Cam	64	0260540	Drain Trough, Ref
	3421801	Cam, Door Stop, B	65	0234300	Fre Evap. Cvr Lft Side
18	3421790	Bearing, Top Door Hinge	66	1601400	Drain Tube, Wire - 1/2" x 72"
19	4151841	Hinge, Door Top - RH	67	6120050	Tube Clamp, Plastic, 5/8"
	4151843	Hinge Assy,Door-Top RH, B	68	6200120	Screw, #10-12 x 1/2" Truss HD
	4151842	Hinge, Door Top - LH	69	6120210	U-Clamp, 5/8"
	4151844	Hinge Assy,Door-Top LH, B	70	6200010	Screw, #10-12 x 3/4" Pan HD
20	6110540	Bolt, #10-24 x 1/2" Flat Socket HD	71	4200160	Freezer Fan Motor Pkg. (Blade not Incl.)
21	6200390	Screw, #6 x 3/8" T25 Flat Head PH	72	0232280	Fan Bracket, Fre
22	0182381	Door Hinge, Bottom; RH	73	6110270	Bolt, #10-32 x 1/4" RD HD
	0182383	Hinge, Bottom Door-RH, B	74	3150640	Fan blade, Ref/Fre Evap.
	0182382	Door Hinge, Bottom; LH	75	4281510	Shroud Assy, Fre Evap
	0182384	Hinge, Bottom Door-LH, B	76	3220250	Grommet, 3/16" x 7/16" x 9/32"
23	6110540	Bolt, #10-24 x 1/2" Flat Socket HD	77	3520120	Brass Insert, Fan Bracket
24	6200390	Screw, #6 x 3/8" T25 Flat Head PH	78	6200670	Screw, #6-18 x 3/4" Teks
25	3420690	Bottom Door Hinge Cam	79	0235230	Cover, Fre Evap
	3420691	Cam, Top Door Closer, B	80	6200120	Screw, #10-12 x 1/2" Truss HD
26	3420681	Bottom Cabinet Hinge Cam, RH	81	3030040	Light Bulb, Long/Narrow; 40 watt
	3420683	Cam, Bottom Door Closer-RH, B	82	3050220	Socket, Light Base Sngl (See SN Breaks)
	3420682	Bottom Cabinet Hinge Cam, LH	83	0234310	Fre Air Duct Assy
	3420684	Cam, Bottom Door Closer-LH, B	84	6200120	Screw, #10-12 x 1/2" Truss HD
27	6110270	Bolt, #10-32 x 1/4" RD HD	85	2600297	Tube, Copper L-Shaped
	6110271	Bolt, #10-32x1/4 RD HD, B	86	3520380	Compression Nut
28	4152011	Cabinet Hinge, Bot - RH	87	3520370	Compression Sleeve
	4152013	Hinge Assy, Lower-RH, B	88	4202790	Water Valve
	4152012	Cabinet Hinge, Bot - LH	89	3520050	Brass Insert, Solenoid
	4152014	Hinge Assy, Lower-LH, B	90	3520030	Icemaker Nylon Nut, 1/4"
29	6110010	Bolt, #10-24 x 1/2" Flat Head UC	91	2600617	Plastic Water Line
30	4110353	Base Assy (w/rollers)	92	0168160	Solenoid Water Valve Bracket
31	4110331	Base Rear Roller Assy	93	6200780	Screw, #10-24 x 1/2" PH Hex Washer
32	6200010	Screw, #10-12 x 3/4" Pan HD	94	6201270	Screw, #8-18 x 5/8" PH PN SS-Gnd
33	3550560	Straight Pin, Base Assy, .312" x 2.88"	95	1607700	Water Inlet Tube
34	3450620	Canoe Clip	96	6220470	Fill Tube Clamp
35	3421240	Cabinet Roller (Single)	97	3070210	Heater, Fill Tube
36	3570050	Leveling Leg, #18-3/8 x 1"	98	3025560	Cord Assy, Power Supply
37	6110580	Adjusting Screw	99	2605410	Water Inlet Tube Extension
38	4200170	Refrig. Fan Motor Pkg. (Blade not Incl.)	100	4200522	Icemaker Assembly
39	0211620	Refrigerator Fan Bracket	101	6200120	Screw, #10-12 x 1/2" Truss HD
40	3220250	Grommet, 3/16" x 7/16" x 9/32"	102	3140400	Icemaker Rudder Arm
41	3520410	Brass Insert, Fan	103	6200140	Screw, #8-15 x 3/8" Truss HD
42	6110270	Bolt, #10-32 x 1/4" RD HD	104	4163071	Switch Assy, Fre Srvc
43	3150640	Fan blade, Ref/Fre Evap.	105	3060140	SPST Light Switch
44	6180010	Pop Rivet, 1/8"	106	3060130	SPST Fan/Icemaker Switch
45	3082140	Light Terminator	107	3082060	Defrost Terminator-55/30 Deg.
46	6110270	Bolt, #10-32 x 1/4" RD HD	108	1801100	Heater Clip
47	6220540	Screw Grommet / Stand-off	109	6120340	Aluminum Strap
48	6201010	Screw, #8-15 x 2" Pan Head	110	4324640	Defrost Heater Assy (See SN Breaks)
49	4161330	Refrig. Fan Shroud Assy	111	3520250	Water Inlet Fitting Assy
50	0168680	Shim - Hinge	112	NA	
51	3050250	Skt, Light MBase DbI			

650-2 MECHANICAL VIEW (Starting with Serial #2354455)

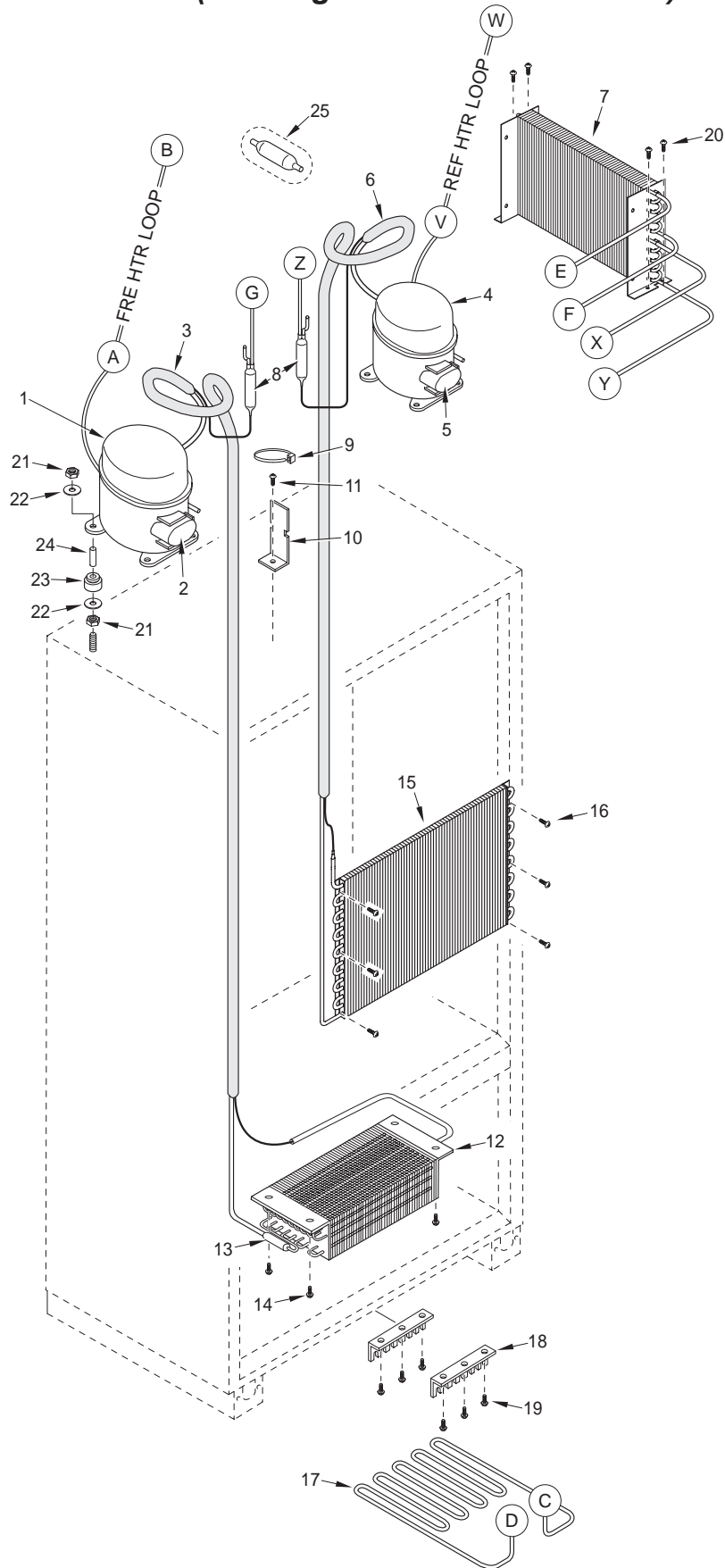


650-2 SEALED SYSTEM PARTS LIST (Starting with Serial #2354455)

<u>Ref #</u>	<u>Part #</u>	<u>Description</u>
1	4202280	Compressor, (EMI60HER)
2	3112210	Electrical Assy, DC51C (Used w/DC51 Production Comp)
	3112500	Capacitor, 12MF (Used w/DC51 Production Comp)
	3111460	Relay, (1351408) (Used with EMI60HER Srvc Comp)
	3111470	Overload, (4TM757NFB) (Used with EMI60HER Srvc Comp)
3	4251270	Heat Exchanger, Freezer
4	4201880	Compressor, Refrig. (EMI30HER)
5	3112212	Electrical Assy, EMT30HSC Comp (Used w/EMT30HSC Production Comp)
	3112500	Capacitor, 12MF (Used w/EMT30HSC Production Comp)
	3111370	Relay, (1351400) (Used with EMI30HER Srvc Comp)
	3111410	Overload, (4TM734LFB) (Used with EMI30HER Srvc Comp)
6	4251570	Heat Exchanger, Refrigerator
7	3120480	Condenser, Dual
8	3014230	Filter-Drier, High Side
9	6120170	Locking Cable Tie, Red, 11-1/2"
10	0168040	Drier Bracket
11	6201270	Screw, #8-18 x 5/8" PH PN SS-Gnd
12	3130580	Evaporator Coil, Fre
13	3011130	Freezer Accumulator
14	6200120	Screw, #10-12 x 1/2" Truss HD
15	3130630	Evaporator, Refrig.
16	6201270	Screw, #8-18 x 5/8" PH PN SS-Gnd
17	2600138	Drain Pan Heater Loop
18	3421410	Drain Pan Heater Loop Support
19	6200010	Screw, #10-12 x 3/4" Pan HD
20	6200010	Screw, #10-12 x 3/4" Pan HD
21	6150220	Nut, 5/16-18 Hex Zinc
22	6240050	Flat Washer, 5/16"
23	3150010	Rubber Grommet, Small, 5/8"
	3150170	Rubber Grommet, Large, 15/16"
24	6160030	Spacer, 5/16 x 7/16 x 5/8"
	6160070	Sleeve, 5/16 x 7/16 x 7/8"
25	3014100	Suction Line Drier (Service Only)



650-2 SEALED SYSTEM VIEW (Starting with Serial #2354455)

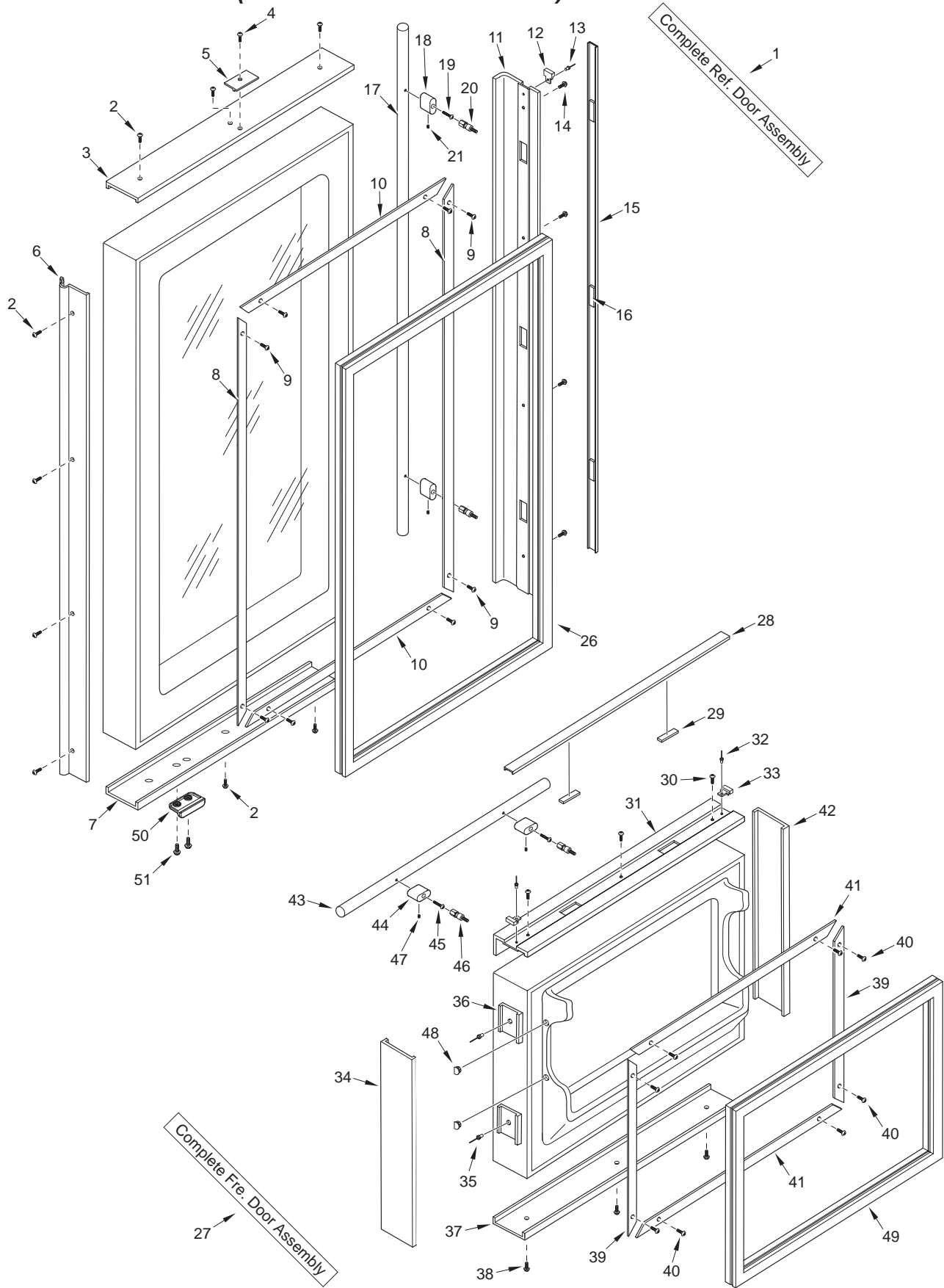


650G-2 DOOR PARTS LIST (Prior to Serial #2354455)

Ref #	Part #	Description	Ref #	Part #	Description
1	4134685	Door Assy,Ref 650G Frmd/Overlay-RH	18	3512150	Standoff, SS Oval
	4134686	Door Assy,Ref 650G Frmd/Overlay-LH		3512151	Standoff,Oval, B
	4134687	Door Assy,Ref 650HAG Frmd/Olay-RH		3512152	Standoff,Oval, P
	4134688	Door Assy,Ref 650HAG Frmd/Olay-LH	19	6110540	Bolt, #10-24 x 1/2 Flat Socket HD
	4134695	Door Assy, Ref 650G SS-RH	20	3511520	Handle Mounting Stud
	4134696	Door Assy, Ref 650G SS-LH	21	6110730	Set Screw #10-32 x 1/4 SS Cone
	4134697	Door Assy, Ref 650HAG SS-RH	22	NA	
	4134698	Door Assy, Ref 650HAG SS-LH	23	NA	
	4135643	Door Assy, SRVC, 650G-RH, B	24	NA	
	4135644	Door Assy, SRVC, 650G-LH, B	25	NA	
	4135653	Door Assy, SRVC, 650HAG-RH, B	26	3212130	Door Gasket, Refrigerator
	4135654	Door Assy, SRVC, 650HAG-LH, B	27	4132795	Freezer Drawer Assy, Frame/Overlay
	4135843	Door Assy, SRVC, 650G-RH, P		4133215	Freezer Drawer Assy (SS)
	4135844	Door Assy, SRVC, 650G-LH, P		4134870	Drawer Assy, 650, B
	4135853	Door Assy, SRVC, 650HAG-RH, P		4135020	Drawer Assy, 650, P
	4135854	Door Assy, SRVC, 650HAG-LH, P	28	4131880	Handle/Trim Molding Assy, Freezer
NOTE:	Door Assy's incl. Wire Harness / Top Hinge Assy, do NOT incl. bottom hinge Assy or handle.		29	3451140	Magnet, Trim Strip
2	6200720	Screw, #8-18 x 1/2 Ph Truss Hd	30	6201300	Tapping Screw, #8 x 1/2
	6200721	Screw, #8-18X1/2 Ph Low Prfl, B	31	4132250	Drawer Handle Assy, Freezer (Framed)
3	2230606	Refrig. Door Trim, Top - RH		4132350	Handle-Side Door Trim, Freezer (Overlay)
	2230608	Refrig. Door Trim, Top - LH	32	6180160	Rivet, Open End Blind, 1/8 x 3/16
4	6200720	Screw, #8-18 x 1/2 Ph Truss Hd	33	3413340	Handle/Trim End Cap
	6200721	Screw, #8-18X1/2 Ph Low Prfl, B	34	2230701	Fre Drawer Trim, Rt Side
5	4200940	Switch Depressor (Includes Screw)	35	6180040	Pop Rivet, 3/16 x 1/8 Grip
	3421381	Depressor, Switch, B (Screw not Incl.)	36	3450460	Clip, Door Trim
6	3511140	Door Trim, Hinge Side - (SS Model)	37	2230605	Freezer Drawer Trim, Bottom
	3511141	Door Trim, Hinge Side - Mitered Corner	38	6200720	Screw, #8-18 x 1/2 Ph Truss Hd
	3512231	Trim, Door Hinge Side-Carbon		6200721	Screw, #8-18X1/2 Ph Low Prfl, B
	3512232	Trim, Door Hinge Side-Platinum	39	3420150	Gasket Retainer, 17.312
7	2230607	Refrig. Door Trim, Bottom - RH	40	6200410	Screw, #8 x 1/2 Slot Head Hex
	2230609	Refrig. Door Trim, Bottom - LH	41	3420220	Gasket Retainer, 33.312"
8	3420240	Gasket Retainer, Side Ref, 47.438	42	2230702	Fre Drawer Trim, Lt Side
9	6200410	Screw, #8 x 1/2 Slot Head Hex	43	4133720	Handle Assy, Obr Standoff - Fre
10	3420220	Gasket Retainer, 33.312"		4133721	(Incl. Stand-offs)
11	4132240	Door Handle Assy, Refrig. (Framed)		4133722	Handle Assy, Obr Standoff, B - Fre
	4132340	Handle-side Door Trim, Refrig. (Overlay)			(Incl. Stand-offs)
12	3413340	Handle/Trim End Cap			Handle Assy, Obr Standoff, P - Fre
13	6180160	Rivet, Open End Blind, 1/8 x 3/16			(Incl. Stand-offs)
14	6201300	Tapping Screw, #8 x 1/2	44	3512160	Standoff, SS Oval
15	4131870	Handle/Trim Molding Assy, Refrig.		3512161	Standoff, Oval, B
16	3451140	Magnet, Trim Strip		3512162	Standoff, Oval, P
17	4133700	Handle Assy, SS OBR Standoff-Ref	45	6110540	Bolt, #10-24 x 1/2 Flat Socket HD
		(Incl. Stand-offs)	46	3511520	Handle Mounting Stud
	4133701	Handle Assy, OBR Standoff, B	47	6110730	Set Screw #10-32 x 1/4 SS Cone
		(Incl. Stand-offs)	48	3550230	White Plastic Plug, 3/4
	4133702	Handle Assy, OBR Standoff, P	49	3212120	Door Gasket, Fre.
		(Incl. Stand-offs)	50	3430100	Closer, Door-Door Side
			51	6110060	Bolt, #10-32 x 5/8", Truss Head



650G-2 DOOR VIEW (Prior to Serial #2354455)

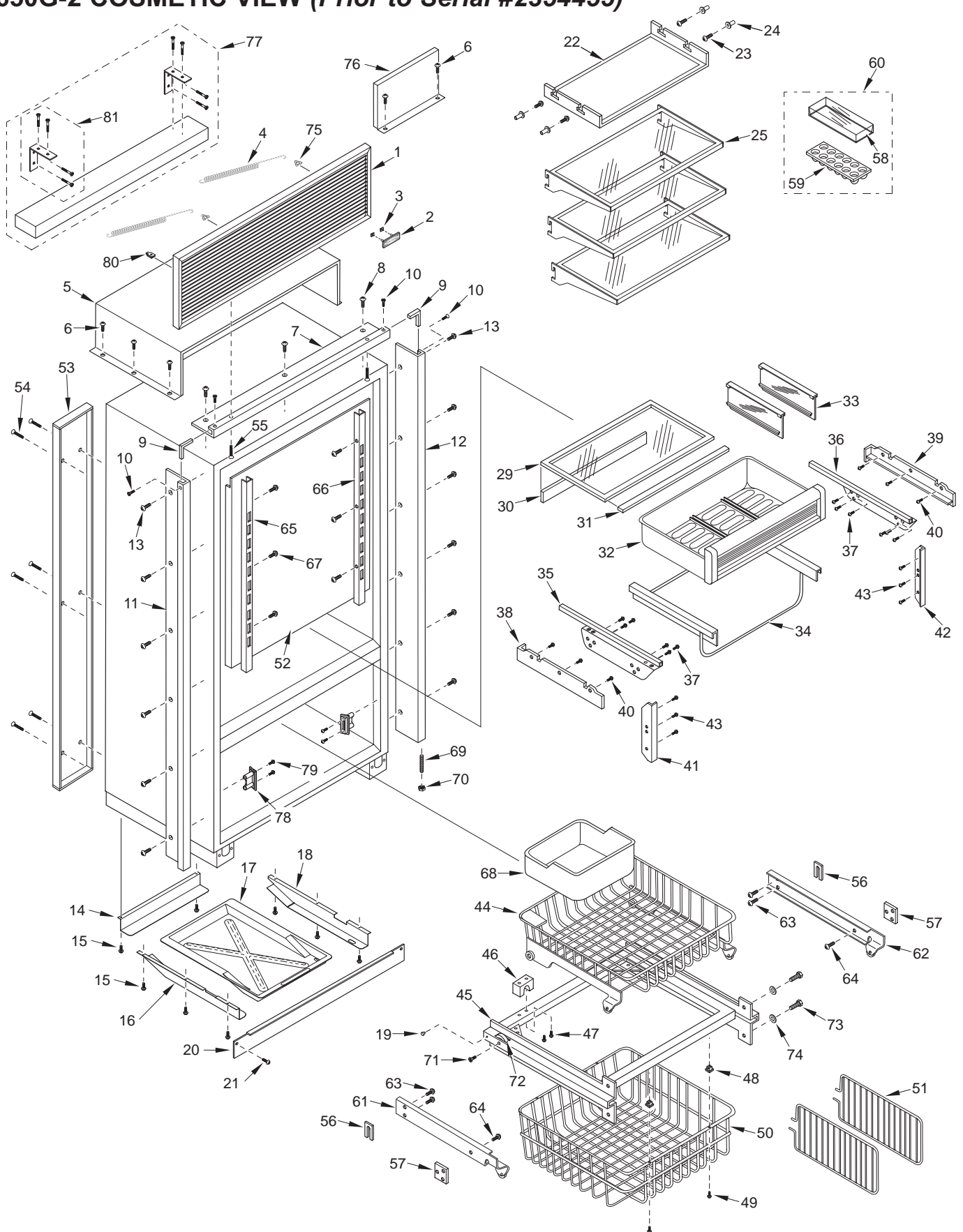


650G-2 COSMETIC PARTS LIST (Prior to Serial #2354455)

Ref #	Part #	Description	Ref #	Part #	Description
1	6LG3611	Louvered Grille Assy, 36" x 11"	31	3211730	Crisper Glass Seal, Front
	6PG3611	Panel Grille Assy, 36" x 11"	32	4181440	High Humidity Drawer Assembly
	6SG3611	SS Grille 36" x 11" (See SN Breaks)	33	3413100	Drawer Divider
	6SG3611/S	SS Grille, 36X11-CLSC (See SN Breaks)	34	3421770	Humidity Drawer Slide-Frame
	6SG3611/B	SS Grille 36X11-CarBon	35	4181412	Top Crisper Slide Assembly, Wide-LH
	6SG3611/P	SS Grille 36X11-Platinum		4181421	Top Crisper Slide Assembly, Narrow-RH
2	3580210	Name Plate, Stick-on (See SN Breaks)	36	4181411	Top Crisper Slide Assembly, Wide-RH
	3580211	Nameplate, B, P (See SN Breaks)		4181422	Top Crisper Slide Assembly, Narrow-LH
	3580230	Name Plate w/ Pegs (See SN Breaks)	37	6201270	Screw, #8-18 x 5/8" PH PN SS-Gnd
	3580270	Logo, Stainless 3 1/2" (Stick-on)	38	3421711	Top Crspr Glass Support, Narrow-RH
	3580280	Logo, Framed 3 1/2" (w/ Pegs)		3421722	Top Crisper glass Support, Wide-LH
	3580290	Logo, Carbon 3 1/2", (Stick-on)	39	3421712	Top Crisper Glass Support, Narrow-LH
3	6150140	Spring Grip Nut, 1/8"		3421721	Top Crisper Glass Support, Wide-RH
4	3450900	Spring, Grille	40	6201130	Screw, #8x 1/2" PH FL HD SS
5	4280940	Unit Shroud Assembly	41	3421741	Crisper Filler Strip, Narrow (if RH)
6	6201270	Screw, #8-18 x 5/8" PH PN SS-Gnd		3421742	Crisper Filler Strip, Wide (if LH)
7	2234009	Frame, Main Top 36 - RH	42	3421741	Crisper Filler Strip, Narrow (if LH)
	3517009	Frame, Main Top 36-RH, B		3421742	Crisper Filler Strip, Wide (if RH)
	3517034	Frame, Main Top 36-RH, P	43	6201270	Screw, #8-18 x 5/8" PH PN SS-Gnd
	2234010	Frame, Main Top 36 - LH	44	4181810	Upper Fre Basket Assy
	3517010	Frame, Main Top 36-LH, B	45	4181790	Drawer Slide Assy, Fre
	3517035	Frame, Main Top 36-LH, P	46	3420950	Upper Freezer Basket Restraint
8	6200010	Screw, #10-12 x 3/4" Pan HD	47	6200340	Screw, #6-20 x 1/2" Pan Head
9	2210701	Main Frame Angle	48	6220110	Screw Grommet, 1/2" x 9/16"
10	6200070	Screw, #4-24 x 3/8" Flat HD	49	6200130	Screw, #8-18 x 3/4" Truss HD
	6200071	Screw, #4-24X3/8 Flat Hd, B	50	3413690	Lower Freezer Basket
11	2234013	Frame, Main Side Left - RH	51	3413700	Lower Fre Bskt Divider
	3517004	Frame, Main Side Left-RH, B	52	0201260	Refrig Evap Cover
	3517029	Frame, Main Side Left-RH, P	53	0261640	Duct, Back
	2234014	Frame, Main Side Left - LH	54	6201060	Screw, #8x1-1/4" PH FLAT TAP
	3517012	Frame, Main Side Left-LH, B	55	6201310	Screw, #8 x 1-3/4" Flat PH HD
	3517037	Frame, Main Side Left-LH, P		6201311	Screw, #8X1-3/4 Flt Ph Hd, B
12	2234011	Frame, Main Side Right - RH	56	0232310	Drawer Slide Shim, Rear
	3517011	Frame, Main Side Right-RH, B	57	0232300	Drawer Slide Shim, Front - .060"
	3517036	Frame, Main Side Right-RH, P		2121180	Shim, Freezer Drawer Front-.030"
	2234012	Frame, Main Side Right - LH	58	3412280	Egg Tray Cover
	3517006	Frame, Main Side Right-LH, B	59	3412270	Egg Tray
	3507031	Frame, Main Side Right-LH, P	60	4131810	Egg Tray with Cover
13	6201550	Screw, #8-18 Lw Prfl	61	4181801	Cab Slide Assy, Fre; RT
14	0262020	Support, Drain Pan, Rear	62	4181802	Cab Slide Assy, Fre; LT
15	6200010	Screw, #10-12 x 3/4" Pan HD	63	6110330	Screw, #10-32 x 1/4" Chrome Plate
16	0262010	Support, Drain Pan, LH	64	6200590	Screw, #12 x 1" Type A Zinc Flat HD
17	2120121	Pan, Drain Vac Form	65	3601821	Refrig. shelf ladder, Right
18	0262000	Support, Drain Pan, RH	66	3601822	Refrig. shelf ladder, Left
19	3550300	Glide, Rear Drawer 1/2X1/4	67	6200710	Screw, #8-18 x 3/8" Fillister HD
20	0169520	Kickplate, Solid	68	3411340	Ice Bucket
	0167820	Kickplate, Stainless Steel	69	3550190	Bottom Hinge Stud
	0167821	Kickplate, Solid 36", B	70	6150200	Nut, 1/4-20 Hex
	0167822	Kickplate, Solid 36", P	71	6110260	Bolt, 1/4-20 x 1/2" Flat HD
21	6200050	Screw, #10-12 Pan Hd	72	3420900	Roller Bearing
	6200720	Screw, #8-18x1/2 Ph Tr Hd (SS Model)	73	6110450	Bolt, 1/4-20 x 1/2" Whiz Lock
22	4161870	Refrig. Light Diffuser Assembly	74	6240040	Flat Washer, 1/4"
23	6201330	Screw, #8-18 x 5/8" PH PN SS-Gnd	75	3450520	Grille Hook
24	3520420	Insert / Diffuser Stand-off	76	4280950	Compressor Shroud Assembly
25	3602310	Shelf, Glass Cantilever	77	4201320	Blocking Components; 36"
26	NA		78	3421860	Grommet, Spprt Insul.
27	NA		79	6200010	Screw, #10-12 x 3/4" Pan HD
28	NA		80	6150140	Spring Grip Nut, 1/8"
29	4151750	Crisper Glass Assembly (Incl. Seals)	81	4201340	Blocking Hardware Package
30	3211760	Crisper Glass Seal, Rear			



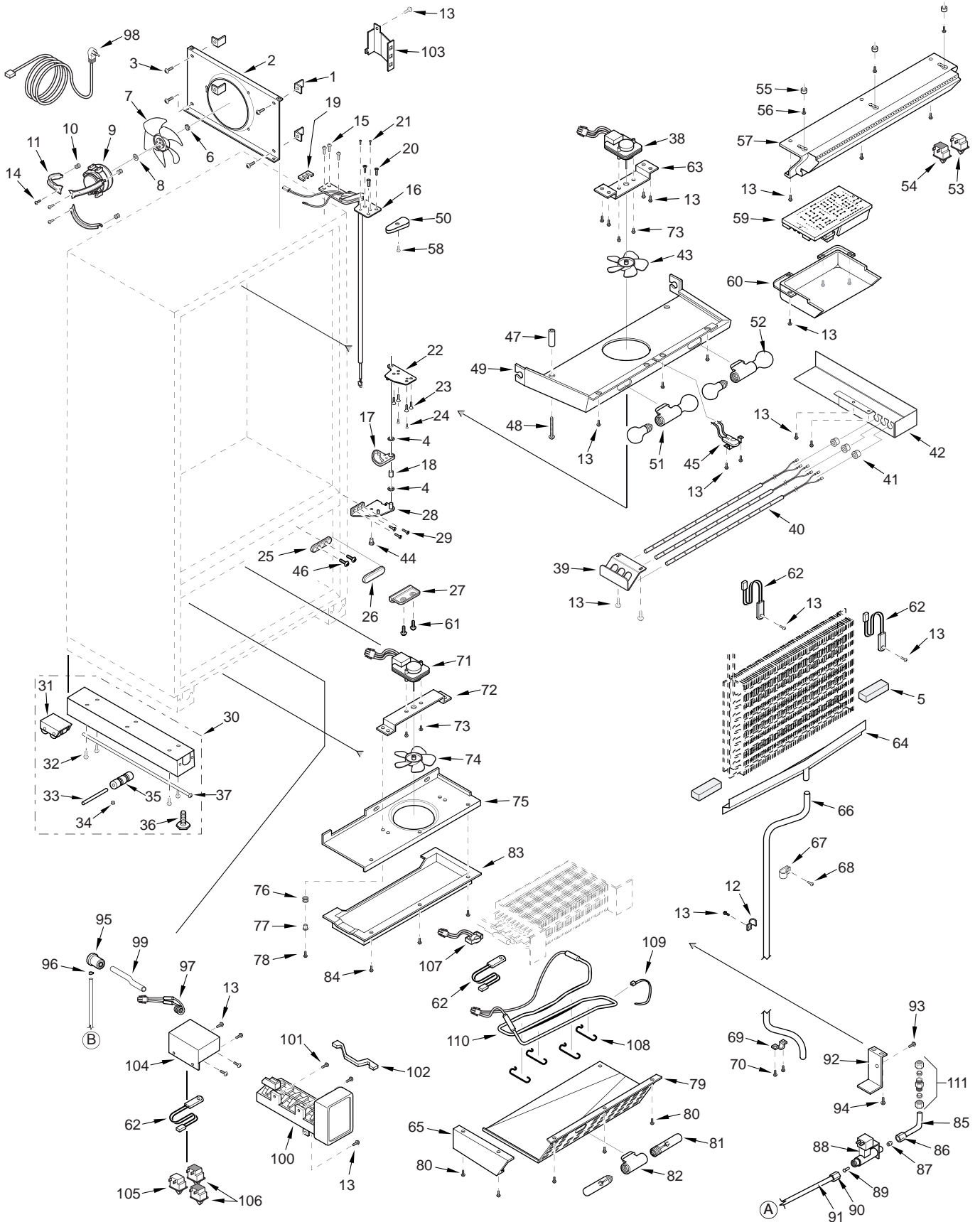
650G-2 COSMETIC VIEW (Prior to Serial #2354455)



650G-2 MECHANICAL PARTS LIST (Prior to Serial #2354455)

Ref #	Part #	Description	Ref #	Part #	Description
1	3450290	Angle Bracket	51	3050250	Socket, Light Med Base Double
2	0261220	Shroud, Cond Fan	52	3030030	Light Bulb, 40 Watt
3	6200010	Screw, #10-12 x 3/4" Pan HD	53	3060130	SPST Fan/Icemaker Switch (White)
4	3430120	Bushing, Door		3060131	Switch, Rocker N.O. Black
5	6231490	Tape, Foam XLPE	54	3060140	SPST Light Switch (White)
6	6150410	Nut, 1/4-20		3060141	Switch, Rocker N.C. Black
7	3150800	Blade, Condenser Forward-SW	55	6160240	Nylon Spacer
8	3210340	Neoprene Silencer, 7/8"	56	6200720	Screw, #8-18 x 1/2 PH Truss HD
9	4200740	Motor Pkg, Cond Fan (blade not incl.)	57	4162692	Control Panel Assy, 650G Srvc
10	3220360	Grommet, Mtg Brkt	58	6200140	Screw, #8-15 x 3/8" Truss HD
11	0261150	Bracket, Cond Mounting	59	4203790	Control Board Pkg
12	6120050	Tube Clamp, Plastic, 5/8"	60	4152050	Cover Assy, Control
13	6201270	Screw, #8-18 x 5/8" PH PN SS-Gnd	61	6110060	Bolt, #10-32 x 5/8", Truss Head
14	6200490	Screw, #8-32 x 3/8" Slotted Hex T25	62	4204150	Thermistor, ASM Srvc Pkg
15	6110070	Bolt, 1/4-20x3/4 Spinlock Zinc	63	0212540	Bracket, Fan
16	4325671	WH, Top Hinge Assy - RH	64	0260540	Drain Trough, Ref
	4325673	W/H,Door Hinge 611G-650G/B-RH	65	0234300	Fre Evap. Cvr Lft Side
	4325672	WH, Top Hinge Assy - LH	66	1601400	Drain Tube, Wire - 1/2" x 72"
	4325674	W/H,Door Hinge 611G-650G/B-LH	67	6120050	Tube Clamp, Plastic, 5/8"
17	3421800	Door Stop Cam	68	6200120	Screw, #10-12 x 1/2" Truss HD
	3421801	Cam, Door Stop, B	69	6120210	U-Clamp, 5/8"
18	3421790	Bearing, Door Hinge	70	6200010	Screw, #10-12 x 3/4" Pan HD
19	0168680	Shim - Hinge	71	4200160	Freezer Fan Motor Pkg. (Blade not Incl.)
20	6110540	Bolt, #10-24 x 1/2" Flat Socket HD	72	0232280	Fan Bracket, Fre
21	6200390	Screw, #6 x 3/8" T25 Flat Head PH	73	6110270	Bolt, #10-32 x 1/4" RD HD
22	4151841	Hinge, Door Bottom LH	74	3150640	Fan Blade, Evaporator
	4151843	Hinge Assy,Door-Bot LH, B	75	4281510	Shroud Assy, Fre Evap 650 Srvc
	4151842	Hinge, Door Bottom RH	76	3220250	Grommet, 3/16" x 7/16" x 9/32"
	4151844	Hinge Assy,Door-Bot RH, B	77	3520120	Brass Insert, Fan Bracket
23	6110540	Bolt, #10-24 x 1/2" Flat Socket HD	78	6200670	Screw, #6-18 x 3/4" Teks
24	6200390	Screw, #6 x 3/8" T25 Flat Head PH	79	0234290	Evaporator Cover, Fre
25	3430110	Closer, Door-Cabinet Side	80	6200120	Screw, #10-12 x 1/2" Truss HD
26	3430140	Cover, Door Closer	81	3030040	Light Bulb, Long/Narrow; 40 watt
27	3430100	Closer, Door-Door Side	82	3050220	Socket, Light Int Base Sngl
28	4152081	Cabinet Hinge, Bot - RH	83	0234310	Fre Air Duct Assy
	4152083	Hinge Assy, Lwr Cabinet-RH, B	84	6200120	Screw, #10-12 x 1/2" Truss HD
	4152082	Cabinet Hinge, Bot - LH	85	2600297	Tube, Copper L-Shaped
	4152084	Hinge Assy, Lwr Cabinet-LH, B	86	3520380	Compression Nut
29	6110810	Screw, Machine #10-24X3/4 PH FT HD	87	3520370	Compression Sleeve
	6110811	Bolt, #10-24X3/4 Ph Flat Hd, B	88	4202790	Water Valve
30	4110353	Base Assy (w/rollers)	89	3520050	Brass Insert, Solenoid
31	4110331	Base Rear Roller Assy	90	3520030	Icemaker Nylon Nut, 1/4"
32	6200010	Screw, #10-12 x 3/4" Pan HD	91	2600617	Plastic Water Line
33	3550560	Straight Pin, Base Assy, .312" x 2.88"	92	0168160	Solenoid Water Valve Bracket
34	3450620	Canoe Clip	93	6200780	Screw, #10-24 x 1/2" PH Hex Washer
35	3421240	Cabinet Roller (Single)	94	6201270	Screw, #8-18 x 5/8" PH PN SS-Gnd
36	3570050	Leveling Leg, #18-3/8 x 1"	95	1607700	Water Inlet Tube
37	6110580	Adjusting Screw	96	6220470	Fill Tube Clamp
38	4200170	Refrig. Fan Motor Pkg. (Blade not Incl.)	97	3070210	Heater, Fill Tube
39	0261330	Bracket, Light	98	3025560	Cord Assy, Power Supply
40	3030170	Light Strip, 7.5 WATT	99	2605410	Water Inlet Tube Extension
41	3220810	Grommet, Open/Closed 1/2	100	4200522	Icemaker Assembly
42	0212740	Box, Light Display	101	6200120	Screw, #10-12 x 1/2" Truss HD
43	3150640	Fan blade, Ref/Fre Evap.	102	3140400	Icemaker Rudder Arm
44	3550770	90° Stop Pin	103	NA	
45	3082140	Light Terminator	104	0233820	Switch Housing, Freezer
46	6201590	Screw, #8-32X1/2 Taplite Pn Trx	105	3060140	SPST Light Switch
47	6220540	Screw Grommet / Stand-off	106	3060130	SPST Fan/Icemaker Switch
48	6201010	Screw, #8-15 x 2" Pan Head	107	3082060	Defrost Terminator
49	4162660	Shroud Assy, Ref Fan	108	1801100	Heater Clip
50	3541017	Top Cabinet Hinge Cover, RH	109	6120340	Aluminum Strap
	3541211	Cover, Top Cabinet Hinge-RH,B	110	4324640	Defrost Heater Assy
	3541213	Cover, Top Cabinet Hinge-RH, P	111	3520250	Water Inlet Fitting Assy
	3541018	Top Cabinet Hinge Cover, LH			
	3541212	Cover, Top Cabinet Hinge-LH,B			
	3541214	Cover, Top Cabinet Hinge-LH, P			

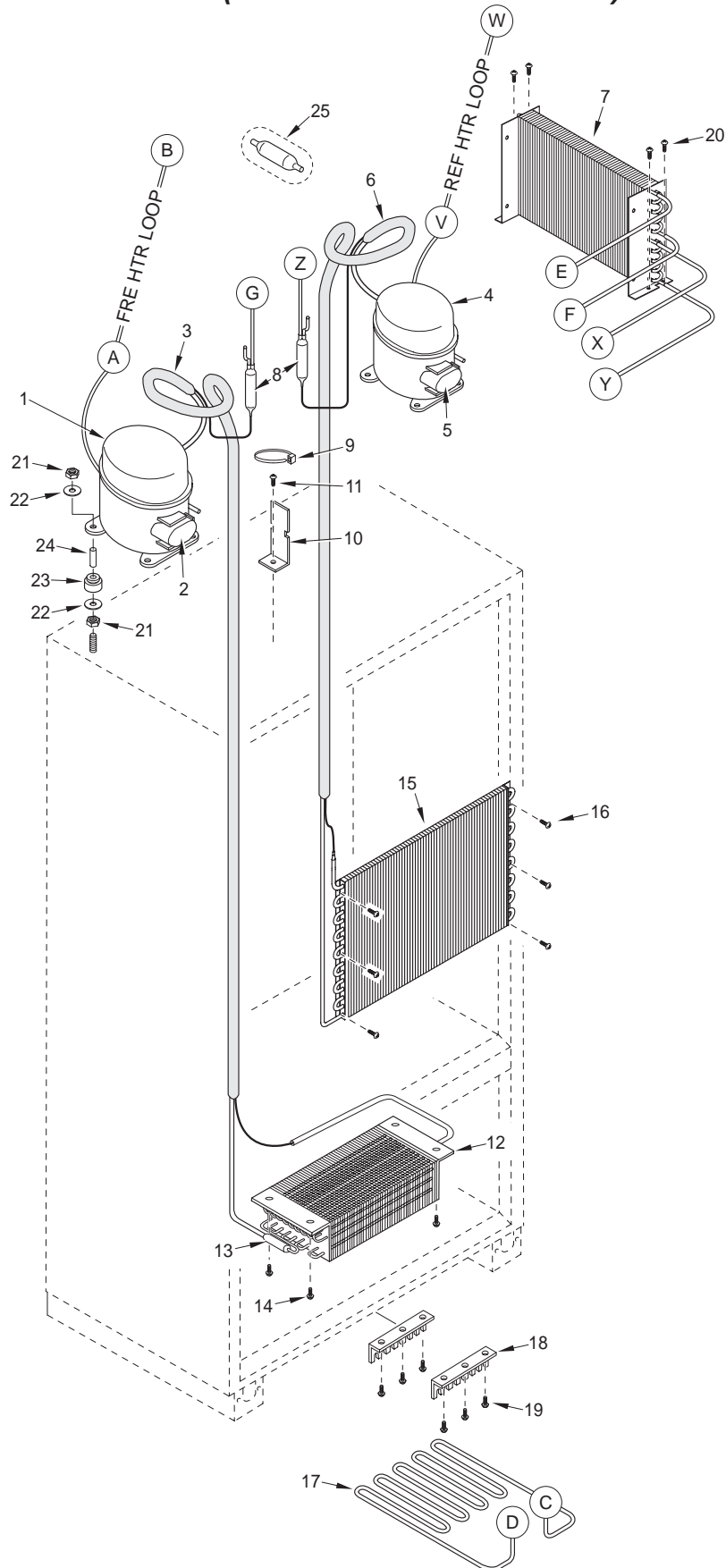
650G-2 MECHANICAL VIEW (Prior to Serial #2354455)



650G-2 SEALED SYSTEM PARTS LIST (Prior to Serial #2354455)

<u>Ref #</u>	<u>Part #</u>	<u>Description</u>
1	4202280	Compressor, (EMI60HER) (See SN Breaks)
2	3111460	Relay, (1351408 - for EMI60HER)
	3111470	Overload, (4TM757NFB - for EMI60HER)
3	4251270	Heat Exchanger, Freezer
4	4201880	Compressor, Refrig. (EMI30HER)
5	3111370	Relay, (1351400 - for EMI30HER)
	3111410	Overload, (4TM734LFB - for EMI30HER)
6	4251640	Heat Exchanger, Refrigerator
7	3120480	Condenser, Dual
8	3014230	Filter-Drier, High Side
9	6120170	Locking Cable Tie, Red, 11-1/2"
10	0168040	Drier Bracket
11	6201270	Screw, #8-18 x 5/8" PH PN SS-Gnd
12	3130580	Evaporator Coil, Fre
13	3011130	Freezer Accumulator
14	6200120	Screw, #10-12 x 1/2" Truss HD
15	3130630	Evaporator, Ref
16	6201270	Screw, #8-18 x 5/8" PH PN SS-Gnd
17	2600138	Drain Pan Heater Loop
18	3421410	Drain Pan Heater Loop Support
19	6200010	Screw, #10-12 x 3/4" Pan HD
20	6200010	Screw, #10-12 x 3/4" Pan HD
21	6150220	Nut, 5/16-18 Hex Zinc
22	6240050	Flat Washer, 5/16"
23	3150010	Rubber Grommet, Small, 5/8"
	3150170	Rubber Grommet, Large, 15/16"
24	6160030	Spacer, 5/16 x 7/16 x 5/8"
	6160070	Sleeve, 5/16 x 7/16 x 7/8"
25	3014100	Suction Line Drier (Service Only)

650G-2 SEALED SYSTEM VIEW (Prior to Serial #2354455)

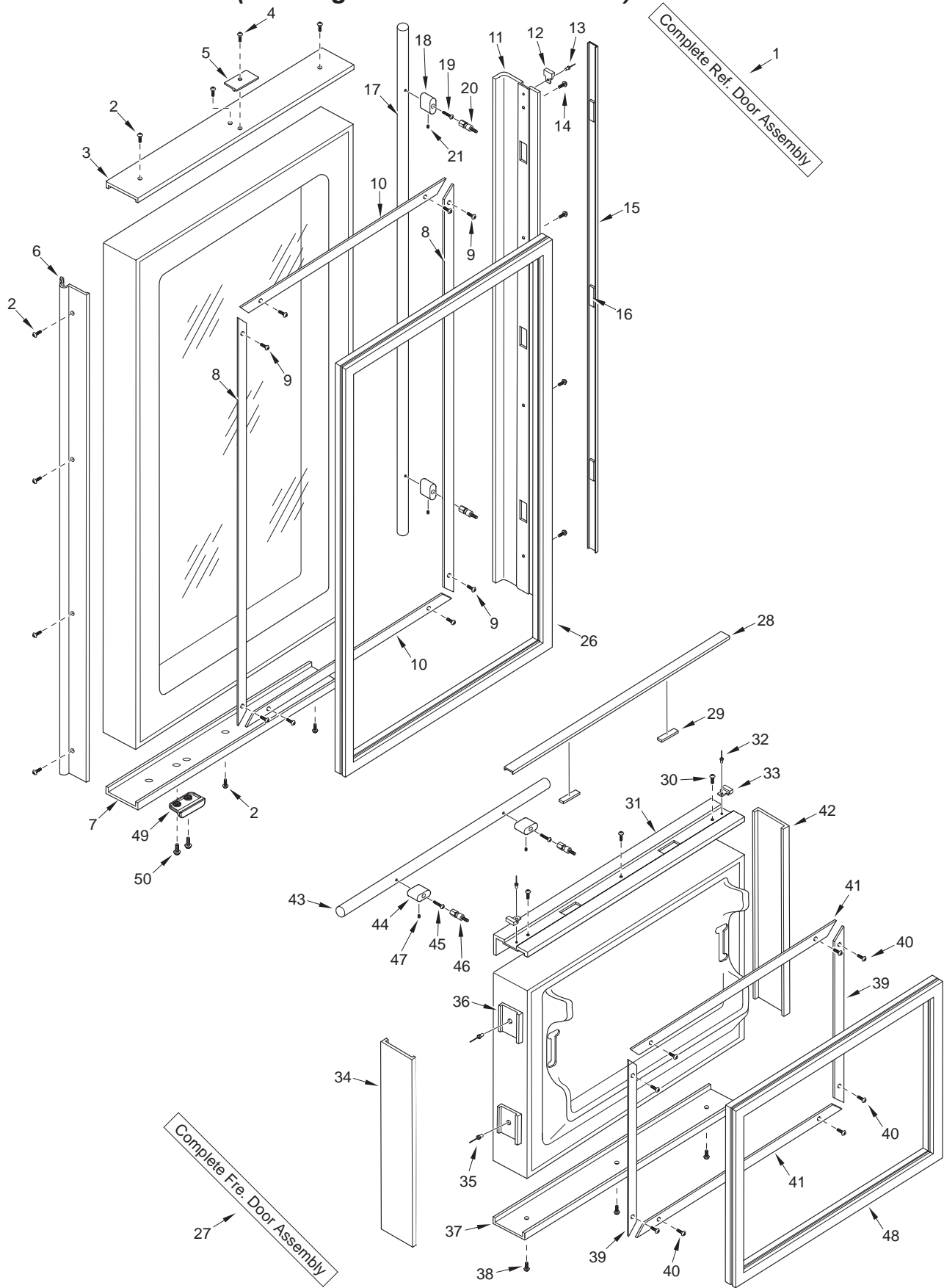


650G-2 DOOR PARTS LIST (Starting with Serial #2354455)

Ref #	Part #	Description	Ref #	Part #	Description
1	4134685	Door Assy,Ref 650G Frmd/Overlay-RH	18	3512150	Standoff, SS Oval
	4134686	Door Assy,Ref 650G Frmd/Overlay-LH		3512151	Standoff,Oval, B
	4134687	Door Assy,Ref 650HAG Frmd/Olay-RH		3512152	Standoff,Oval, P
	4134688	Door Assy,Ref 650HAG Frmd/Olay-LH	19	6110540	Bolt, #10-24 x 1/2 Flat Socket HD
	4134695	Door Assy, Ref 650G SS-RH	20	3511520	Handle Mounting Stud
	4134696	Door Assy, Ref 650G SS-LH	21	6110730	Set Screw #10-32 x 1/4 SS Cone
	4134697	Door Assy, Ref 650HAG SS-RH	22	NA	
	4134698	Door Assy, Ref 650HAG SS-LH	23	NA	
	4135643	Door Assy, SRVC, 650G-RH, B	24	NA	
	4135644	Door Assy, SRVC, 650G-LH, B	25	NA	
	4135653	Door Assy, SRVC, 650HAG-RH, B	26	3212130	Door Gasket, Refrigerator
	4135654	Door Assy, SRVC, 650HAG-LH, B	27	4135971	Drawer Assy Front, Svc 650F/O
	4135843	Door Assy, SRVC, 650G-RH, P		4136021	Drawer Assy Front, Svc 650S
	4135844	Door Assy, SRVC, 650G-LH, P		4136361	Drawer Assy Front, Svc 650B
	4135853	Door Assy, SRVC, 650HAG-RH, P		4136371	Drawer Assy Front, Svc 650P
	4135854	Door Assy, SRVC, 650HAG-LH, P	28	4131880	Handle/Trim Molding Assy, Freezer
NOTE:	Door Assy's incl. Wire Harness / Top Hinge Assy, do NOT incl. bottom hinge Assy or handle.		29	3451140	Magnet, Trim Strip
2	6200720	Screw, #8-18 x 1/2 Ph Truss Hd	30	6201300	Tapping Screw, #8 x 1/2
	6200721	Screw, #8-18X1/2 Ph Low Prfl, B	31	4132250	Drawer Handle Assy, Freezer (Framed)
3	2230606	Refrig. Door Trim, Top - RH		4132350	Handle-Side Door Trim, Freezer (Overlay)
	2230608	Refrig. Door Trim, Top - LH	32	6180160	Rivet, Open End Blind, 1/8 x 3/16
4	6200720	Screw, #8-18 x 1/2 Ph Truss Hd	33	3413340	Handle/Trim End Cap
	6200721	Screw, #8-18X1/2 Ph Low Prfl, B	34	2230701	Fre Drawer Trim, Rt Side
5	4200940	Switch Depressor (Includes Screw)	35	6180040	Pop Rivet, 3/16 x 1/8 Grip
	3421381	Depressor, Switch, B (Screw not Incl.)	36	3450460	Clip, Door Trim
6	3511140	Door Trim, Hinge Side - (SS Model)	37	2230605	Freezer Drawer Trim, Bottom
	3511141	Door Trim, Hinge Side - Mitered Corner	38	6200720	Screw, #8-18 x 1/2 Ph Truss Hd
	3512231	Trim, Door Hinge Side-Carbon		6200721	Screw, #8-18X1/2 Ph Low Prfl, B
	3512232	Trim, Door Hinge Side-Platinum	39	3420150	Gasket Retainer, 17.312
7	2230607	Refrig. Door Trim, Bottom - RH	40	6200410	Screw, #8 x 1/2 Slot Head Hex
	2230609	Refrig. Door Trim, Bottom - LH	41	3420220	Gasket Retainer, 33.312"
8	3420240	Gasket Retainer, Side Ref, 47.438	42	2230702	Fre Drawer Trim, Lt Side
9	6200410	Screw, #8 x 1/2 Slot Head Hex	43	4133720	Handle Assy, Obr Standoff - Fre
10	3420220	Gasket Retainer, 33.312"		4133721	(Incl. Stand-offs)
11	4132240	Door Handle Assy, Refrig. (Framed)		4133722	Handle Assy, Obr Standoff, B - Fre
	4132340	Handle-side Door Trim, Refrig. (Overlay)			(Incl. Stand-offs)
12	3413340	Handle/Trim End Cap			Handle Assy, Obr Standoff, P - Fre
13	6180160	Rivet, Open End Blind, 1/8 x 3/16			(Incl. Stand-offs)
14	6201300	Tapping Screw, #8 x 1/2	44	3512160	Standoff, SS Oval
15	4131870	Handle/Trim Molding Assy, Refrig.		3512161	Standoff, Oval, B
16	3451140	Magnet, Trim Strip		3512162	Standoff, Oval, P
17	4133700	Handle Assy, SS OBR Standoff-Ref	45	6110540	Bolt, #10-24 x 1/2 Flat Socket HD
		(Incl. Stand-offs)	46	3511520	Handle Mounting Stud
	4133701	Handle Assy, OBR Standoff, B	47	6110730	Set Screw #10-32 x 1/4 SS Cone
		(Incl. Stand-offs)	48	3212120	Door Gasket, Fre.
	4133702	Handle Assy, OBR Standoff, P	49	3430100	Closer, Door-Door Side
		(Incl. Stand-offs)	50	6110060	Bolt, #10-32 x 5/8", Truss Head



650G-2 DOOR VIEW (Starting with Serial #2354455)

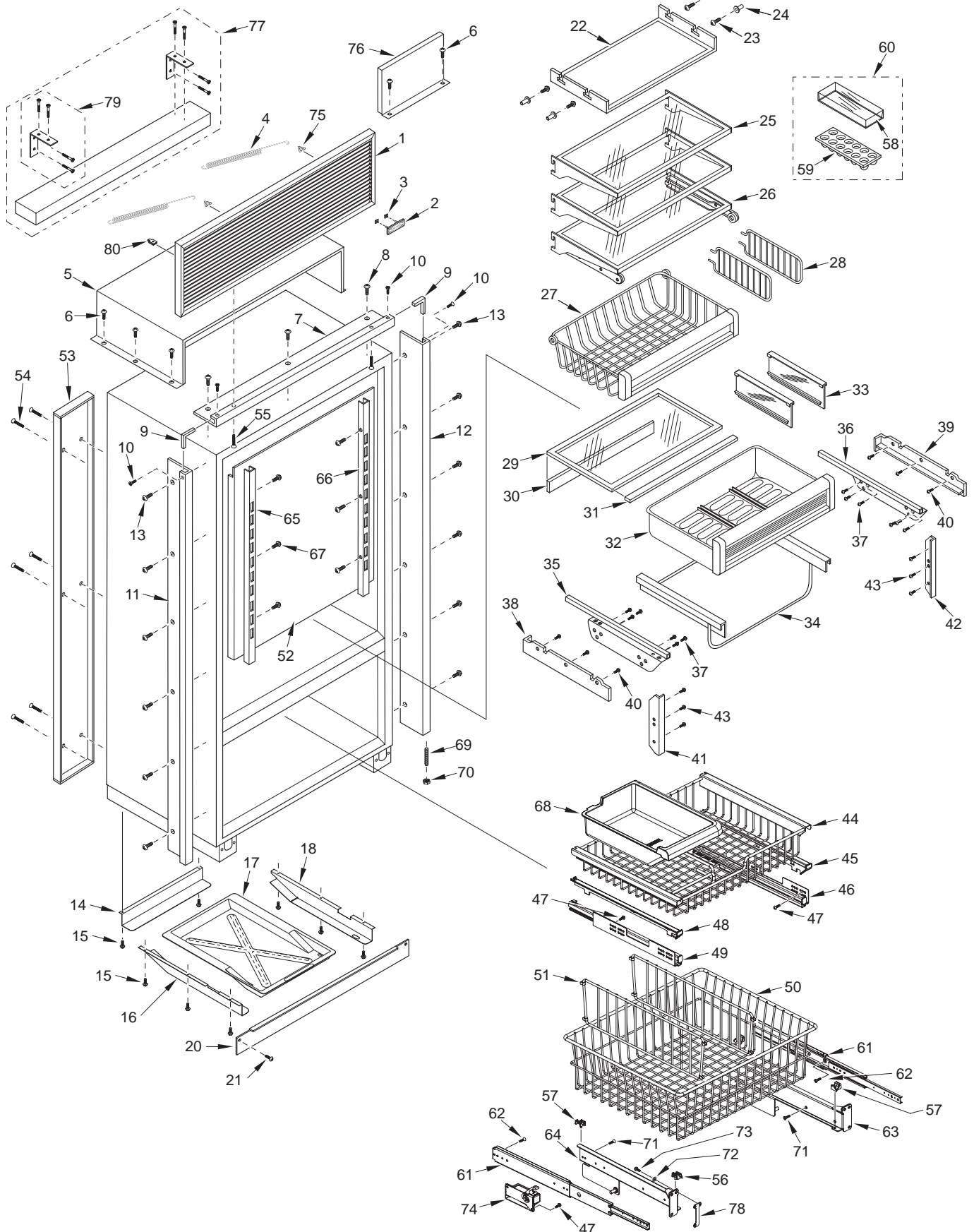


650G-2 COSMETIC PARTS LIST (Starting with Serial #2354455)

Ref #	Part #	Description	Ref #	Part #	Description
1	6LG3611	Louvered Grille Assy, 36" x 11"	29	4151750	Crisper Glass Assembly (Incl. Seals)
	6PG3611	Panel Grille Assy, 36" x 11"	30	3211760	Crisper Glass Seal, Rear
	6SG3611	SS Grille 36" x 11" (See SN Breaks)	31	3211730	Crisper Glass Seal, Front
	6SG3611/S	SS Grille, 36X11-CLSC (See SN Breaks)	32	4181440	High Humidity Drawer Assembly
	6SG3611/B	SS Grille 36X11-CarBon	33	3413100	Drawer Divider
	6SG3611/P	SS Grille 36X11-Platinum	34	3421770	Humidity Drawer Slide-Frame
2	3580210	Name Plate, Stick-on (See SN Breaks)	35	4181412	Top Crisper Slide Assembly, Wide-LH
	3580211	Nameplate, B, P (See SN Breaks)		4181421	Top Crisper Slide Assembly, Narrow-RH
	3580230	Name Plate w/ Pegs (See SN Breaks)	36	4181411	Top Crisper Slide Assembly, Wide-RH
	3580270	Logo, Stainless 3 1/2" (Stick-on)		4181422	Top Crisper Slide Assembly, Narrow-LH
	3580280	Logo, Framed 3 1/2" (w/ Pegs)	37	6201270	Screw, #8-18 x 5/8" PH PN SS-Gnd
	3580290	Logo, Carbon 3 1/2", (Stick-on)	38	3421711	Top Crspr Glass Support, Narrow-RH
3	6150140	Spring Grip Nut, 1/8"		3421722	Top Crisper glass Support, Wide-LH
4	3450900	Spring, Grille	39	3421712	Top Crisper Glass Support, Narrow-LH
5	4280940	Unit Shroud Assembly		3421721	Top Crisper Glass Support, Wide-RH
6	6201270	Screw, #8-18 x 5/8" PH PN SS-Gnd	40	6201130	Screw, #8x 1/2" PH FL HD SS
7	2234009	Frame, Main Top 36 - RH	41	3421741	Crisper Filler Strip, Narrow (if RH)
	3517009	Frame, Main Top 36-RH, B		3421742	Crisper Filler Strip, Wide (if LH)
	3517034	Frame, Main Top 36-RH, P	42	3421741	Crisper Filler Strip, Narrow (if LH)
	2234010	Frame, Main Top 36 - LH		3421742	Crisper Filler Strip, Wide (if RH)
	3517010	Frame, Main Top 36-LH, B	43	6201270	Screw, #8-18 x 5/8" PH PN SS-Gnd
	3517035	Frame, Main Top 36-LH, P	44	3414690	Basket, Fre Upr
8	6200010	Screw, #10-12 x 3/4" Pan HD	45	3422331	Retainer, Upper Fre Basket RH
9	2210701	Main Frame Angle	46	3414611	Slide, Full Ex Quadro 18" V6+ RH
10	6200070	Screw, #4-24 x 3/8" Flat HD	47	6110030	Bolt, #10-24 x 1/2", Round Head
	6200071	Screw, #4-24X3/8 Flat Hd, B	48	3422332	Retainer, Upper Fre Basket LH
11	2234013	Frame, Main Side Left - RH	49	3414612	Slide, Full Ex Quadro 18" V6+ LH
	3517004	Frame, Main Side Left-RH, B	50	3414710	Basket, Fre Lwr
	3517029	Frame, Main Side Left-RH, P	51	3414760	Divider, Lwr Basket
	2234014	Frame, Main Side Left - LH	52	0201260	Refrig Evap Cover
	3517012	Frame, Main Side Left-LH, B	53	0261640	Duct, Back
	3517037	Frame, Main Side Left-LH, P	54	6201060	Screw, #8x1-1/4" PH FLAT TAP
12	2234011	Frame, Main Side Right - RH	55	6201310	Screw, #8 x 1-3/4" Flat PH HD
	3517011	Frame, Main Side Right-RH, B		6201311	Screw, #8X1-3/4 Flt Ph Hd, B
	3517036	Frame, Main Side Right-RH, P	56	3422341	Retainer, Lower Fre Basket RH
	2234012	Frame, Main Side Right - LH	57	3422342	Retainer, Lower Fre Basket LH
	3517006	Frame, Main Side Right-LH, B	58	3412280	Egg Tray Cover
	3507031	Frame, Main Side Right-LH, P	59	3412270	Egg Tray
13	6201550	Screw, #8-18 Lw Prfl	60	4131810	Egg Tray with Cover
14	0262020	Support, Drain Pan, Rear	61	3414590	Slide, Full Extension 18"
15	6200010	Screw, #10-12 x 3/4" Pan HD	62	6110970	Machine Screw, 1/4-20 X 1 #10FL
16	0262010	Support, Drain Pan, LH	63	3422321	Rail Assy, Drawer Slide Right
17	2120121	Pan, Drain Vac Form	64	3422322	Rail Assy, Drawer Slide Left
18	0262000	Support, Drain Pan, RH	65	3601821	Refrig. shelf ladder, Right
19	3550300	Glide, Rear Drawer 1/2X1/4	66	3601822	Refrig. shelf ladder, Left
20	0169520	Kickplate, Solid	67	6200710	Screw, #8-18 x 3/8" Fillister HD
	0167820	Kickplate, Stainless Steel	68	3414740	Bucket, Ice
	0167821	Kickplate, Solid 36", B	69	3550190	Bottom Hinge Stud
	0167822	Kickplate, Solid 36", P	70	6150200	Nut, 1/4-20 Hex
21	6200050	Screw, #10-12 Pan Hd	71	6111020	Mach Screw, #10-24X3/8 UN FL HD
	6200720	Screw, #8-18x1/2 Ph Tr Hd (SS Model)	72	6240340	Washer, Flat 1/4X5/8 X .045 SS
22	4161870	Refrig. Light Diffuser Assembly	73	6110980	Cap Screw, 1/4-20X3/4 Button HD
23	6201330	Screw, #8-18 x 5/8" PH PN SS-Gnd	74	3541320	Closer, Drawer LH
24	3520420	Insert / Diffuser Stand-off	75	3450520	Grille Hook
25	3602310	Shelf, Glass Cantilever	76	4280950	Compsr Shroud Assy
26	NA		77	4201320	Blocking Components; 36"
27	NA		78	0187010	Spacer, Drawer Rail
28	NA		79	4201340	Blocking Hardware Package
			80	6150140	Spring Grip Nut, 1/8"



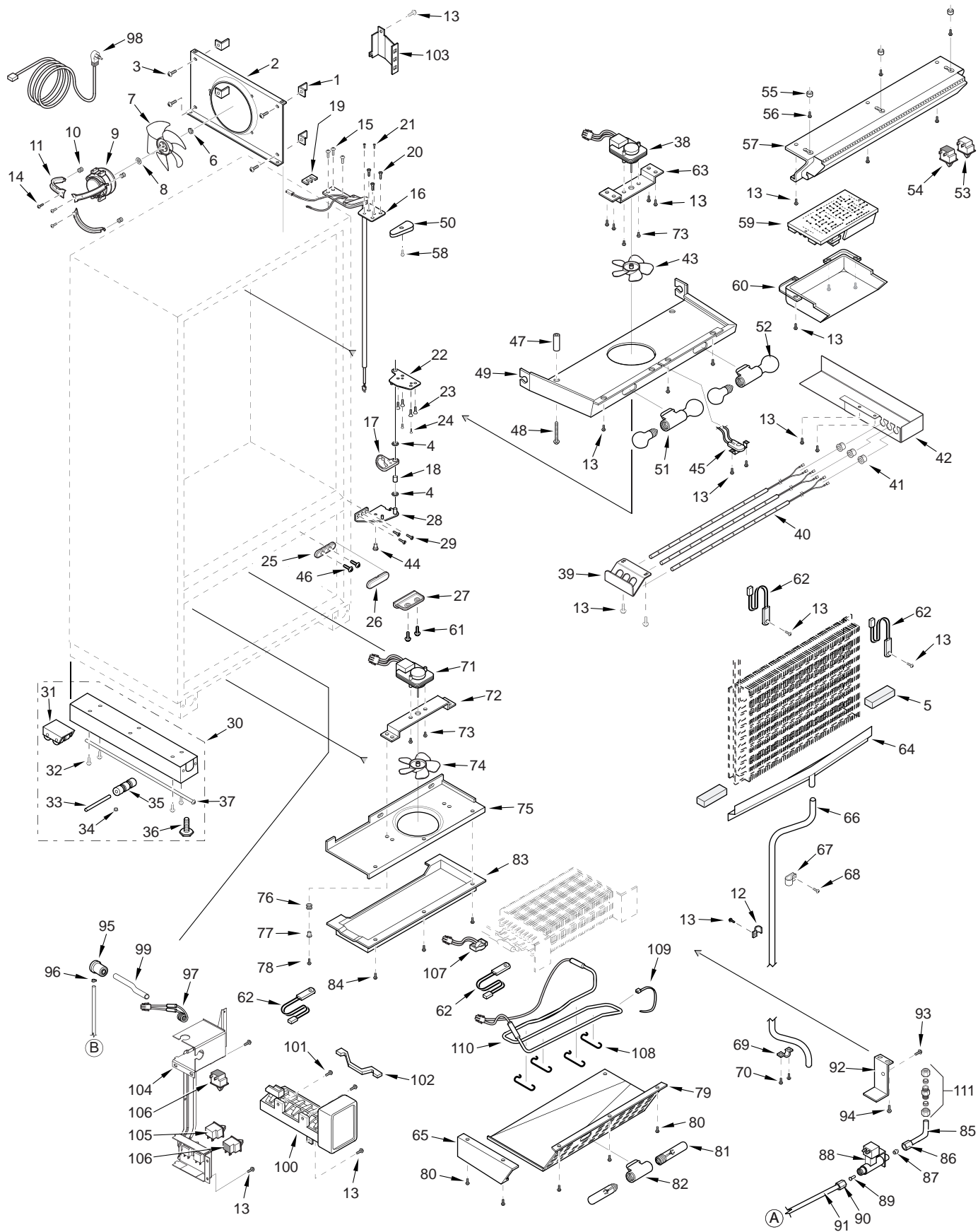
650G-2 COSMETIC VIEW (Starting with Serial #2354455)



650G-2 MECHANICAL PARTS LIST (Starting with Serial #2354455)

Ref #	Part #	Description	Ref #	Part #	Description
1	3450290	Angle Bracket	51	3050250	Socket, Light Med Base Double
2	0261220	Shroud, Cond Fan	52	3030030	Light Bulb, 40 Watt
3	6200010	Screw, #10-12 x 3/4" Pan HD	53	3060130	SPST Fan/Icemaker Switch (White)
4	3430120	Bushing, Door		3060131	Switch, Rocker N.O. Black
5	6231490	Tape, Foam XLPE	54	3060140	SPST Light Switch (White)
6	6150410	Nut, 1/4-20		3060141	Switch, Rocker N.C. Black
7	3150800	Blade, Condenser Forward-SW	55	6160240	Nylon Spacer
8	3210340	Neoprene Silencer, 7/8"	56	6200720	Screw, #8-18 x 1/2 PH Truss HD
9	4200740	Motor Pkg, Cond Fan (blade not incl.)	57	4162692	Control Panel Assy, 650G Srvc
10	3220360	Grommet, Mtg Brkt	58	6200140	Screw, #8-15 x 3/8" Truss HD
11	0261150	Bracket, Cond Mounting	59	4203790	Control Board Pkg
12	6120050	Tube Clamp, Plastic, 5/8"	60	4152050	Cover Assy, Control
13	6201270	Screw, #8-18 x 5/8" PH PN SS-Gnd	61	6110060	Bolt, #10-32 x 5/8", Truss Head
14	6200490	Screw, #8-32 x 3/8" Slotted Hex T25	62	4204150	Thermistor, ASM Srvc Pkg
15	6110070	Bolt, 1/4-20x3/4 Spinlock Zinc	63	0212540	Bracket, Fan
16	4325671	WH, Top Hinge Assy - RH	64	0260540	Drain Trough, Ref
	4325673	W/H,Door Hinge 611G-650G/B-RH	65	0234300	Fre Evap. Cvr Lft Side
	4325672	WH, Top Hinge Assy - LH	66	1601400	Drain Tube, Wire - 1/2" x 72"
	4325674	W/H,Door Hinge 611G-650G/B-LH	67	6120050	Tube Clamp, Plastic, 5/8"
17	3421800	Door Stop Cam	68	6200120	Screw, #10-12 x 1/2" Truss HD
	3421801	Cam, Door Stop, B	69	6120210	U-Clamp, 5/8"
18	3421790	Bearing, Door Hinge	70	6200010	Screw, #10-12 x 3/4" Pan HD
19	0168680	Shim - Hinge	71	4200160	Freezer Fan Motor Pkg. (Blade not Incl.)
20	6110540	Bolt, #10-24 x 1/2" Flat Socket HD	72	0232280	Fan Bracket, Fre
21	6200390	Screw, #6 x 3/8" T25 Flat Head PH	73	6110270	Bolt, #10-32 x 1/4" RD HD
22	4151841	Hinge, Door Bottom LH	74	3150640	Fan Blade, Evaporator
	4151843	Hinge Assy,Door-Bot LH, B	75	4281510	Shroud Assy, Fre Evap 650 Srvc
	4151842	Hinge, Door Bottom RH	76	3220250	Grommet, 3/16" x 7/16" x 9/32"
	4151844	Hinge Assy,Door-Bot RH, B	77	3520120	Brass Insert, Fan Bracket
23	6110540	Bolt, #10-24 x 1/2" Flat Socket HD	78	6200670	Screw, #6-18 x 3/4" Teks
24	6200390	Screw, #6 x 3/8" T25 Flat Head PH	79	0234290	Evaporator Cover, Fre
25	3430110	Closer, Door-Cabinet Side	80	6200120	Screw, #10-12 x 1/2" Truss HD
26	3430140	Cover, Door Closer	81	3030040	Light Bulb, Long/Narrow; 40 watt
27	3430100	Closer, Door-Door Side	82	3050220	Socket, Light Int Base Sngl
28	4152081	Cabinet Hinge, Bot - RH	83	0234310	Fre Air Duct Assy
	4152083	Hinge Assy, Lwr Cabinet-RH, B	84	6200120	Screw, #10-12 x 1/2" Truss HD
	4152082	Cabinet Hinge, Bot - LH	85	2600297	Tube, Copper L-Shaped
	4152084	Hinge Assy, Lwr Cabinet-LH, B	86	3520380	Compression Nut
29	6110810	Screw, Machine #10-24X3/4 PH FT HD	87	3520370	Compression Sleeve
	6110811	Bolt, #10-24X3/4 Ph Flat Hd, B	88	4202790	Water Valve
30	4110353	Base Assy (w/rollers)	89	3520050	Brass Insert, Solenoid
31	4110331	Base Rear Roller Assy	90	3520030	Icemaker Nylon Nut, 1/4"
32	6200010	Screw, #10-12 x 3/4" Pan HD	91	2600617	Plastic Water Line
33	3550560	Straight Pin, Base Assy, .312" x 2.88"	92	0168160	Solenoid Water Valve Bracket
34	3450620	Canoe Clip	93	6200780	Screw, #10-24 x 1/2" PH Hex Washer
35	3421240	Cabinet Roller (Single)	94	6201270	Screw, #8-18 x 5/8" PH PN SS-Gnd
36	3570050	Leveling Leg, #18-3/8 x 1"	95	1607700	Water Inlet Tube
37	6110580	Adjusting Screw	96	6220470	Fill Tube Clamp
38	4200170	Refrig. Fan Motor Pkg. (Blade not Incl.)	97	3070210	Heater, Fill Tube
39	0261330	Bracket, Light	98	3025560	Cord Assy, Power Supply
40	3030170	Light Strip, 7.5 WATT	99	2605410	Water Inlet Tube Extension
41	3220810	Grommet, Open/Closed 1/2	100	4200522	Icemaker Assembly
42	0212740	Box, Light Display	101	6200120	Screw, #10-12 x 1/2" Truss HD
43	3150640	Fan blade, Ref/Fre Evap.	102	3140400	Icemaker Rudder Arm
44	3550770	90° Stop Pin	103	NA	
45	3082140	Light Terminator	104	4163081	Switch Assy, Fre Srvc/G
46	6201590	Screw, #8-32X1/2 Taplite Pn Trx	105	3060140	SPST Light Switch
47	6220540	Screw Grommet / Stand-off	106	3060130	SPST Fan/Icemaker Switch
48	6201010	Screw, #8-15 x 2" Pan Head	107	3082060	Defrost Terminator
49	4162660	Shroud Assy, Ref Fan	108	1801100	Heater Clip
50	3541017	Top Cabinet Hinge Cover, RH	109	6120340	Aluminum Strap
	3541211	Cover, Top Cabinet Hinge-RH,B	110	4324640	Defrost Heater Assy
	3541213	Cover, Top Cabinet Hinge-RH, P	111	3520250	Water Inlet Fitting Assy
	3541018	Top Cabinet Hinge Cover, LH			
	3541212	Cover, Top Cabinet Hinge-LH,B			
	3541214	Cover, Top Cabinet Hinge-LH, P			

650G-2 MECHANICAL VIEW (Starting with Serial #2354455)

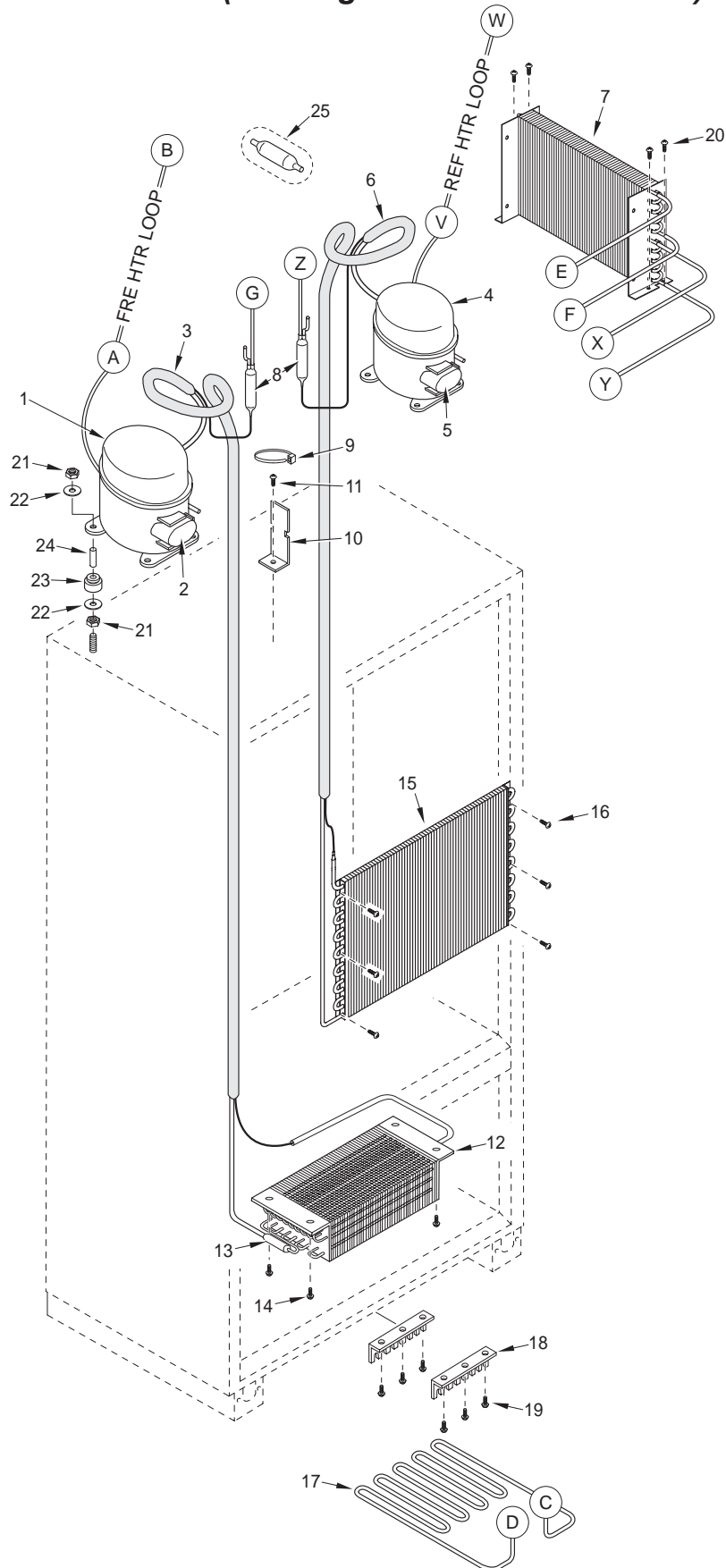


650G-2 SEALED SYSTEM PARTS LIST (Starting with Serial #2354455)

<u>Ref #</u>	<u>Part #</u>	<u>Description</u>
1	4202280	Compressor, (EMI60HER)
2	3112210	Electrical Assy, DC51C (Used w/DC51 Production Comp)
	3112500	Capacitor, 12MF (Used w/DC51 Production Comp)
	3111460	Relay, (1351408) (Used with EMI60HER Srvc Comp)
	3111470	Overload, (4TM757NFB) (Used with EMI60HER Srvc Comp)
3	4251270	Heat Exchanger, Freezer
4	4201880	Compressor, Refrig. (EMI30HER)
5	3112211	Electrical Assy, EMU30HSC (Used w/EMU30HSC Production Comp)
	3112500	Capacitor, 12MF (Used w/EMU30HSC Production Comp)
	3111370	Relay, (1351400) (Used with EMI30HER Srvc Comp)
	3111410	Overload, (4TM734LFB) (Used with EMI30HER Srvc Comp)
6	4251640	Heat Exchanger, Refrigerator
7	3120480	Condenser, Dual
8	3014230	Filter-Drier, High Side
9	6120170	Locking Cable Tie, Red, 11-1/2"
10	0168040	Drier Bracket
11	6201270	Screw, #8-18 x 5/8" PH PN SS-Gnd
12	3130580	Evaporator Coil, Fre
13	3011130	Freezer Accumulator
14	6200120	Screw, #10-12 x 1/2" Truss HD
15	3130630	Evaporator, Ref
16	6201270	Screw, #8-18 x 5/8" PH PN SS-Gnd
17	2600138	Drain Pan Heater Loop
18	3421410	Drain Pan Heater Loop Support
19	6200010	Screw, #10-12 x 3/4" Pan HD
20	6200010	Screw, #10-12 x 3/4" Pan HD
21	6150220	Nut, 5/16-18 Hex Zinc
22	6240050	Flat Washer, 5/16"
23	3150010	Rubber Grommet, Small, 5/8"
	3150170	Rubber Grommet, Large, 15/16"
24	6160030	Spacer, 5/16 x 7/16 x 5/8"
	6160070	Sleeve, 5/16 x 7/16 x 7/8"
25	3014100	Suction Line Drier (Service Only)



650G-2 SEALED SYSTEM VIEW (Starting with Serial #2354455)

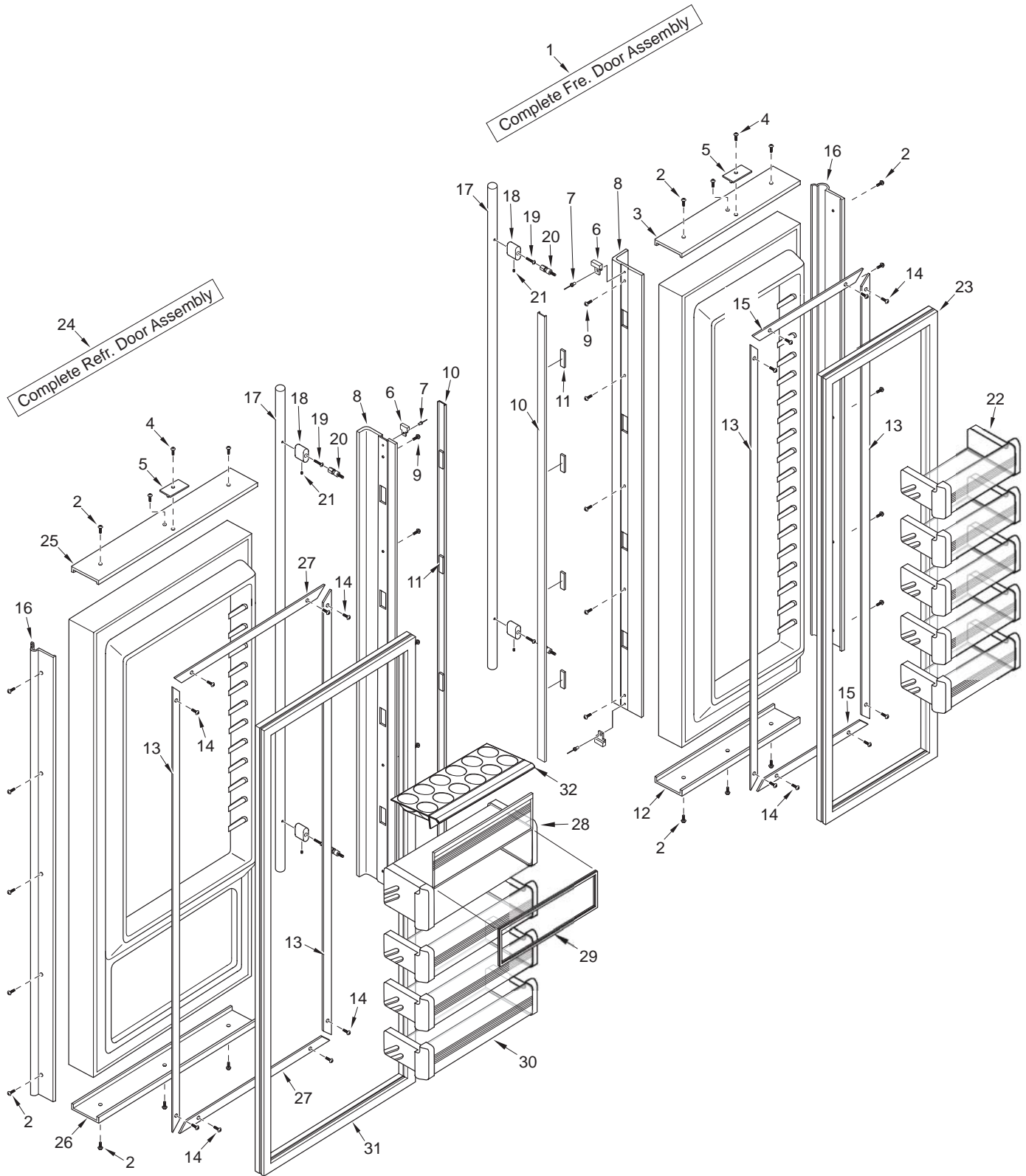


661-2 DOOR PARTS LIST

Ref #	Part #	Description	Ref #	Part #	Description
1	4132855	Door Assy, Fre SRVC-Framed/Overlay	17	4133730	Handle Assy, SS OBR Standoffs (Incl. Stand-offs)
	4132715	Door Assy, Freezer SRVC SS		4133731	Handle Assy, OBR Standoff, B (Incl. Stand-offs)
	4135751	Door Assy, SRVC, Fre, B		4133732	Handle Assy, OBR Standoff, P (Incl. Stand-offs)
	4135951	Door Assy, SRVC, Fre, P			
NOTE: Door Assy's do NOT incl. hinges or handles.					
2	6200720	Screw, #8-18 x 1/2 PH Truss HD	18	3512150	Standoff, SS Oval
	6200721	Screw, #8-18X1/2 Ph Low Prfl, B		3512151	Standoff, Oval, B
3	2230625	Door Trim, Top; Freezer		3512152	Standoff, Oval, P
4	6200720	Screw, #8-18 x 1/2 PH Truss HD	19	6110540	Bolt, #10-24 x 1/2 Flat Socket HD
	6200721	Screw, #8-18X1/2 Ph Low Prfl, B	20	3511520	Handle Mounting Stud
5	4200940	Switch Depressor (Includes Screw)	21	6110730	Set Screw #10-32 X 1/4 SS Cone
	3421381	Depressor, Switch, B (Screw not Incl.)	22	4330290	Fre Door Shelf Assy
6	3413340	Handle/Trim End Cap	23	3212150	Door Gasket, Fre
7	6180160	Rivet, Open End Blind, 1/8 x 3/16	24	4132845	Door Assy, Ref. SRVC-Framed/Overlay
8	4132220	Door Handle Assembly (Framed)		4132705	Door Assy, Refrigerator SRVC SS
	4132320	Handle-Side Door Trim (Overlay)		4135741	Door Assy, SRVC, Ref, B
9	6201300	Tapping Screw, #8 x 1/2		4135941	Door Assy, SRVC, Ref, P
10	4131860	Handle/Trim Molding Assy	NOTE: Door Assy's do NOT incl. hinges or handles.		
11	3451140	Magnet, Trim Strip - 3"	25	2230623	Door Trim, Top; Refrigerator
12	2230626	Door Trim, Bottom; Freezer	26	2230624	Door Trim, Bottom; Refrigerator
13	3420260	Gasket Retainer, 66.875"	27	3420160	Gasket Retainer, 18.25"
14	6200410	Screw, #8 x 1/2 Slot Head Hex	28	4330320	Dairy Compartment Assy
15	3420130	Gasket Retainer, 13.812"	29	3210720	Dairy Door Seal
16	3511130	Door Trim, Hinge Side - (SS Model)	30	4330270	Refrig. Door Shelf Assy
	3511131	Door Trim, Hinge Side - Mitered Corner	31	3212140	Door Gasket, Refrigerator
	3512241	Trim, Door Hinge Side - Carbon	32	3410990	Egg Tray
	3512242	Trim, Door Hinge Side - Platinum			



661-2 DOOR VIEW

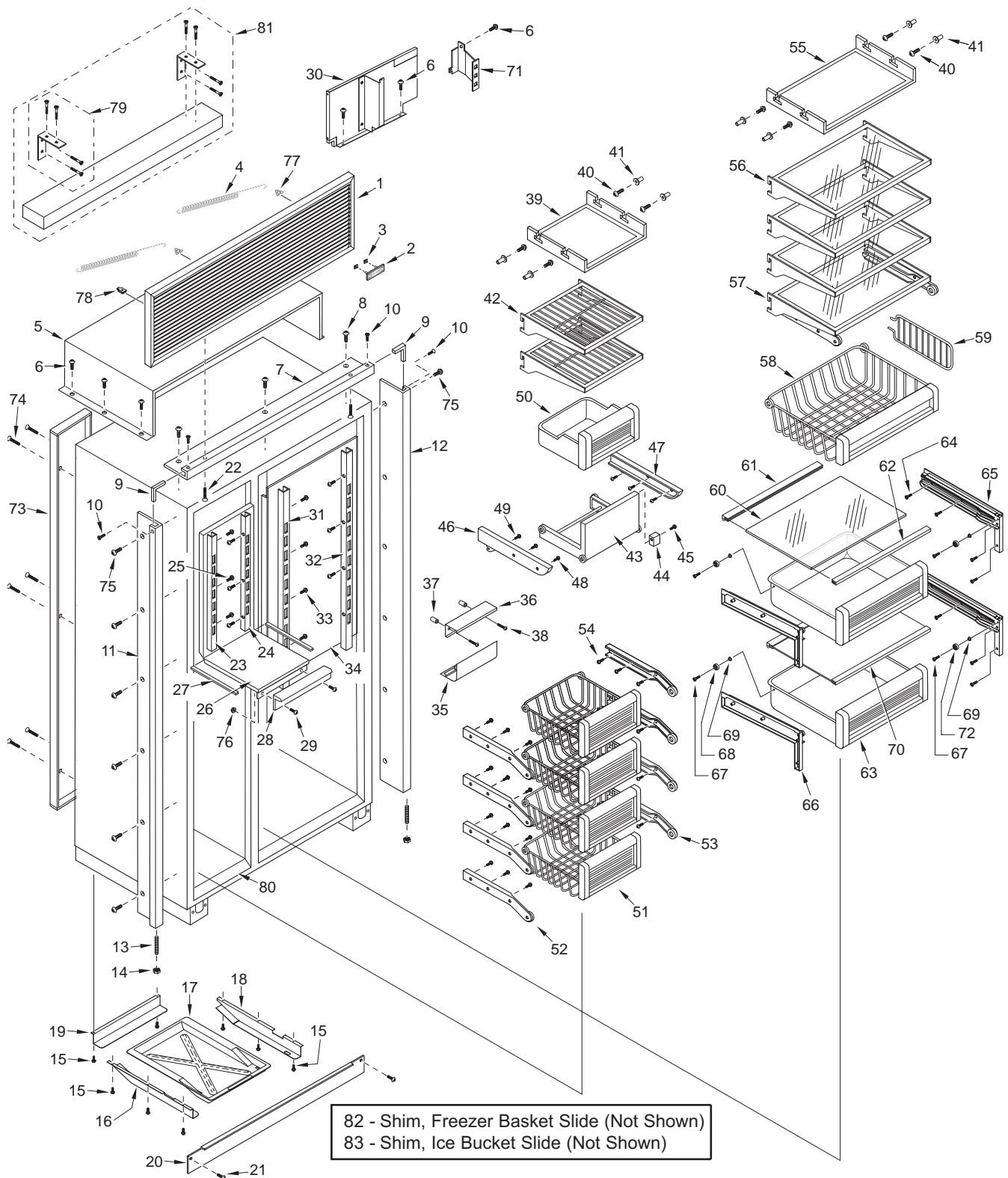


661-2 COSMETIC PARTS LIST

Ref #	Part #	Description	Ref #	Part #	Description
1	6LG3611	Louvered Grille Assy, 36" x 11"	35	3500320	Fre Lwr Light Diffuse
	6PG3611	Panel Grille Assy, 36" x 11"	36	0235260	Bracket, L lower light
	6SG3611/S	SS Grille, 36X11-CLSC	37	6220340	Screw Grommet / Stand-off
	6SG3611/B	SS Grille 36X11-CarBon	38	6201010	Screw, #8-15 x 2" Pan Head
	6SG3611/P	SS Grille 36X11-Platinum	39	4161380	Diffuser Assy, Fre Light
2	3580270	Logo, Stainless 3 1/2" (Stick-on)	40	6201330	Screw, #8-18 x 5/8" PH PN SS-Gnd
	3580280	Logo, Framed 3 1/2" (w/ Pegs)	41	3520420	Insert / Diffuser Stand-off
	3580290	Logo, Carbon 3 1/2", (Stick-on)	42	3600840	Freezer Wire Shelf
3	6150140	Spring Grip Nut, 1/8"	43	4180840	Carrier Assy, Ice Bucket
4	3450900	Grille Spring	44	3421090	IM Carriage Guide
5	4281000	Unit Shroud Assy	45	6200340	Screw, #6-20 x 1/2" Pan Head
6	6201270	Screw, #8-18 x 5/8" PH PN SS-Gnd	46	3410932	Ice Bucket Slide, Left
7	2234019	Frame, Main Top 36	47	3410931	Ice Bucket Slide, Right
	3517053	Frame, Main Top 36, B	48	6200450	Screw, #8 x 1" Type AR Flat
	3517056	Frame, Main Top 36, P	49	6200710	Screw, #8-18 x 3/8" Fillister HD
8	6200010	Screw, #10-12 x 3/4 Pan HD	50	4181000	Ice Bucket Assy
9	2210701	Main Frame Angle	51	4180890	Basket Assy, Fre
10	6200070	Screw, #4-24 x 3/8 Flat HD	52	4180972	Slide Assy, LH Fre Basket
11	4120870	Frame Assy, Main Left-LH	53	4180971	Slide Assy, RH Fre Basket
	4120871	Frame Assy, Main Left Side - LH, B	54	6200450	Screw, #8 x 1" Type AR Flat
	4120872	Frame Assy, Main Left Side - LH, P	55	4161370	Diffuser Assy, Refrig. Light
12	4120860	Frame Assy, Main Rt-RH	56	4180780	Shelf Assy, Glass
	4120861	Frame Assy, Main Right Side - RH, B	57	4180810	Shelf Assy, Ref Roll-out Basket
	4120862	Frame Assy, Main Right Side - RH, P	58	4180870	Basket Assy, Ref Roll-out
13	3550190	Bottom Hinge Stud	59	3411160	Ref Roll-Out Bskt Divider
14	6150200	Nut, 1/4-20 Hex	60	4151080	Crisper Glass Assembly (Incl Seals)
	6150201	Nut, 1/4-20 Hex, B	61	1302100	Seal, Rear Crisper
15	6200010	Screw, #10-12 x 3/4" Pan HD	62	2301801	Seal, Upper Front Crisper
16	0262010	Support, Drain Pan, LH	63	4180920	Drawer Assy, Crisper
17	2120121	Pan, Drain Vac Form	64	6200450	Screw, #8 x 1" Type AR Flat
18	0262000	Support, Drain Pan, RH	65	4180931	Slide Assy, RH Crisper
19	0262020	Support, Drain Pan, Rear	66	4180950	Slide Assy, LH Crisper
20	0169520	Kickplate, Solid	67	6200730	Screw, #10-16 x 3/4" PH Flat HD UC
	0167820	Kickplate, Stainless Steel	68	3421100	Roller, Crisper Flat Narrow (LT Side)
	0167821	Kickplate, Solid 36", B		3421110	Roller, Crisper (RT Side)
	0167822	Kickplate, Solid 36", P	69	3430080	Roller Bushing
21	6200050	Screw, #10-12 Pan Hd	70	4151110	Crisper Tray Assembly
	6200720	Screw, #8-18x1/2 Ph Tr Hd (SS Model)	71	0262080	Bracket, Cond Shroud
22	6201310	Screw, #8 x 1-3/4" Flat PH HD	72	3421100	Roller, Crisper Flat Narrow (4180950)
23	3602192	Fre Shelf Ladder, Lft		3421110	Roller, Crisper (4180931)
24	3602191	Fre Shelf Ladder, Right	73	0261640	Duct, Back
25	6200710	Screw, #8-18 x 3/8 Fillister HD	74	6201060	Screw, #8x1-1/4" Ph Flat Tap
26	0234350	Freezer Duct/Shelf	75	6201550	Screw, #8-18 Lw Prfl
27	3210830	Evaporator Shelf Seal	76	6150820	Palnut, .25
28	4162810	Front Assy, Fre Front	77	3450520	Grille Hook
29	6201290	Screw, #8-15 PH PN HD SS	78	6150140	Spring Grip Nut, 1/8"
30	4281660	Shroud Assy, Comp	79	4201340	Blocking Hardware Package
31	3601082	Refrig. Shelf Ladder, Left	80	4203930	Patch, Fre Face Frm Sill
32	3601081	Refrig. Shelf Ladder, Right	81	4201320	Blocking Components; 42"
33	6200710	Screw, #8-18 x 3/8" Fillister HD	82	2121120	Shim, Fre. Basket Slide
34	0201340	Cold Plate, Refrigerator	83	3411970	Shim, Ice Bucket Slide



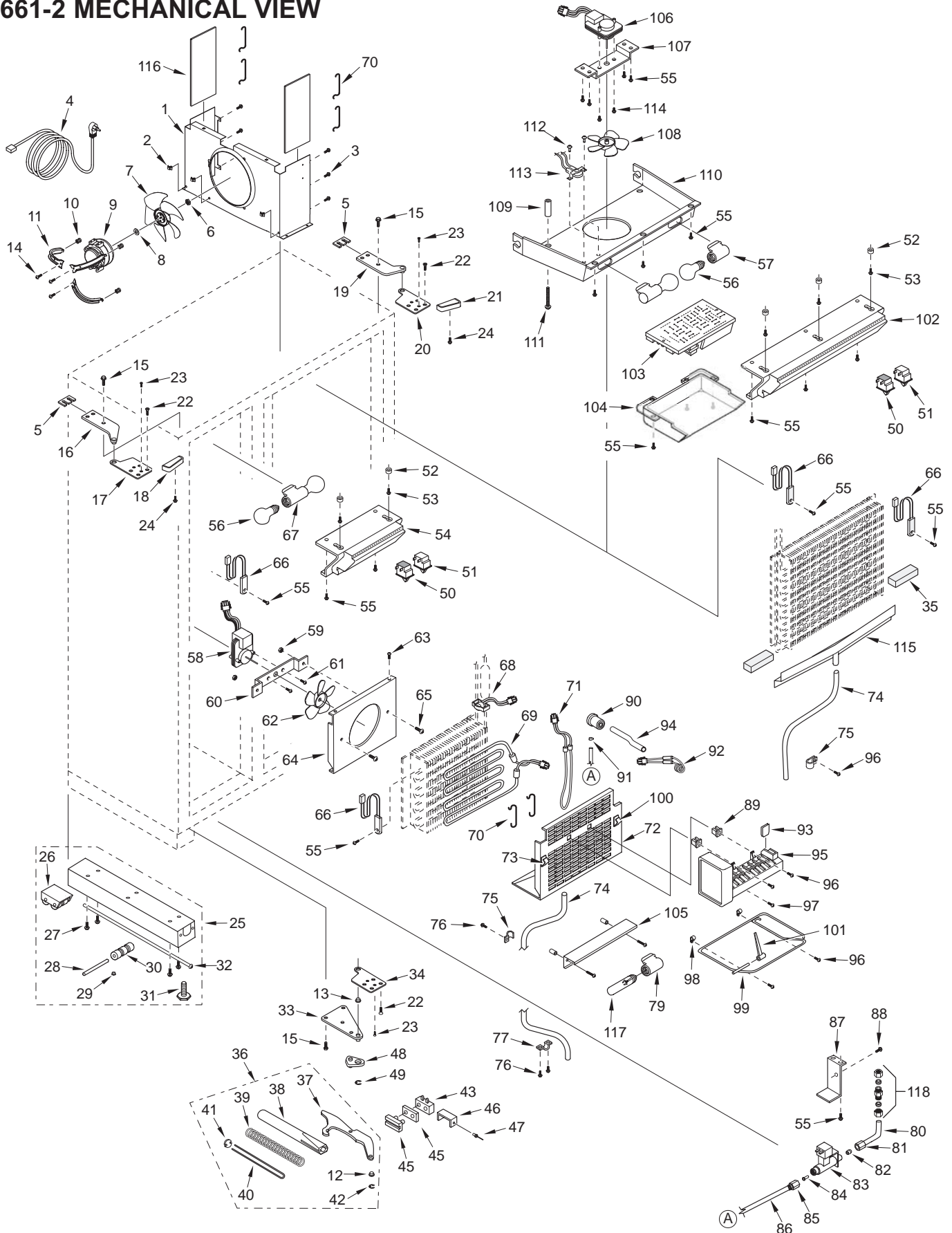
661-2 COSMETIC VIEW



661-2 MECHANICAL PARTS LIST

Ref #	Part #	Description	Ref #	Part #	Description
1	0262060	Shroud, Cond Fan	51	3060140	SPST Light Switch (White)
2	6120460	Push-in Wire Tie PWMS-H25-M		3060141	Switch, Rocker N.C. Black
3	6201420	Screw	52	6160240	Nylon Spacer
4	3025560	Cord Assy, Power Supply	53	6200720	Screw, #8-18 x 1/2 PH Truss HD
5	0168680	Shim - Hinge	54	4162791	Ctrl Assy, Fre Front
6	6150410	Nut, 1/4-20	55	6201270	Screw, #8-18 x 5/8" PH PN SS-Gnd
7	3150800	Blade, Condenser Forward-SW	56	3030030	Light Bulb, 40 Watt
8	3210340	Neoprene Silencer, 7/8"	57	3050230	Sckt, Light Md Base Single
9	4200740	Motor Pkg, Cond Fan (blade not incl.)	58	4200160	Freezer Fan Motor (Blade not Incl.)
10	3220360	Grommet, Mtg Brkt	59	6150030	Nut, #10-24 Hex SS
11	0261150	Brkt, Cond Mounting (3)	60	0234360	Fan Support
12	3450550	E-Ring / Klipring, 5/16"	61	6201440	Screw, #8-32 X 1 3/4 FILHD
13	3421270	Hinge Bearing, 3/8" x 5/8"	62	3150990	Blade, Fre 130mm 4 Pedal
	3421271	Bearing, Door, B	63	6201270	Screw, #8-18 x 5/8" PH PN SS-Gnd
14	6201580	Screw, #8-36 X 1/2 Nylon Patch	64	0235740	Shroud, Fan
15	6110070	Bolt, 1/4-20x3/4 Spinlock Zinc	65	6110020	Bolt, #10-24 x 3/8" Truss HD
16	4151272	Cabinet Hinge Assy, Upper LH	66	4204150	Thermistor, ASM Srvc Pkg
	4151274	Hinge Assy, Upr Cab-LH, B	67	4161610	Light Assy, Upper Freezer (Incl. Socket)
17	4151472	Door Hinge Assy, Top LH	68	3025710	W/H, Heaters & Terminator
	4151474	Hinge Assy, Top Door-LH, B	69	3025710	W/H, Heaters & Terminator
18	3541018	Top Cabinet Hinge Cover, LH	70	1801100	Heater Clip
	3541212	Cover, Top Cabinet Hinge-LH, B	71	3025710	W/H, Heaters & Terminator
	3541214	Cover, Top Cabinet Hinge-LH, P	72	4152040	Fre Evap Cover Assy.
19	4151271	Cabinet Hinge Assy, Upper RH	73	6120160	Cord Clip, Plastic, 5/16 x 1/2"
	4151273	Hinge Assy, Upr Cab-RH, B	74	1601400	Drain Tube, Wire - 1/2" x 72"
20	4151471	Door Hinge Assy, Top RH	75	6120050	Tube Clamp, Plastic, 5/8"
	4151473	Hinge Assy, Top Door-RH, B	76	6200010	Screw, #10-12 x 3/4" Pan HD
21	3541017	Top Cabinet Hinge Cover, RH	77	6120210	U-Clamp, 5/8"
	3541211	Cover, Top Cabinet Hinge-RH, B	78	3082140	Light Terminator
	3541213	Cover, Top Cabinet Hinge-RH, P	79	3050220	Socket, Light Int Base Sngl
22	6110540	Bolt, #10-24 x 1/2" Flat Socket HD	80	2600297	Tube, Copper L-Shaped
23	6200390	Screw, #6 x 3/8" T25 Flat Head PH	81	3520380	Compression Nut
24	6200140	Screw, #8-15 x 3/8" Truss HD	82	3520370	Compression Sleeve
25	4110353	Base Assy (w/rollers)	83	4202790	Water Valve
26	4110331	Base Rear Roller Assy	84	3520050	Brass Insert, Solenoid
27	6200010	Screw, #10-12 x 3/4" Pan HD	85	3520030	Icemaker Nylon Nut, 1/4"
28	3550560	Straight Pin, Base Assy, .312" x 2.88"	86	2600617	Plastic Water Line
29	3450620	Canoe Clip	87	0168160	Solenoid Water Valve Bracket
30	3421240	Cabinet Roller (Single)	88	6200780	Screw, #10-24 x 1/2" PH Hex Washer
31	3570050	Leveling Leg, #18-3/8 x 1"	89	6220220	Screw Grommet, 1/32" X 3/8" SQ.
32	6110580	Adjusting Screw	90	1607700	Water Inlet Tube
33	4151281	Cabinet Hinge Assy, Lower RH	91	6220470	Fill Tube Clamp
	4151283	Hinge Assy, Lwr Cab-RH, B	92	3025710	W/H, Heaters & Terminator
	4151282	Cabinet Hinge Assy, Lower LH	93	3140360	Fill Cup Plug
	4151284	Hinge Assy, Lwr Cab-LH, B	94	3024110	Fill Tube Extension
34	4151241	Door Hinge, Bottom RH	95	4290450	Icemaker Assembly
	4151242	Door Hinge, Bottom LH	96	6200120	Screw, #10-12 x 1/2" Truss HD
35	6231490	Tape, Foam XLPE	97	6200060	Screw, #8-32 x 1/2" Pan HD
36	4201111	Door Closer Assy, RH	98	6120280	Tube Clamp, Nylon, 3/16"
	4201150	Door Closer Assy, SBS-RH, B	99	3140300	Arm, Icemaker Cntrl
	4201112	Door Closer Assy, LH	100	6120330	Wire Clip
	4201160	Door Closer Assy, SBS-LH, B	101	3421070	Connecting Rod
37	NA	See 4201111, 1112, 1115 or 1116	102	4162783	Front Assy, Control Panel 661
38	NA	See 4201111, 1112, 1115 or 1116	103	4204370	Board, Control SRVC 661
39	3450530	Door Closer Spring	104	4152050	Cover Assy, Control
	3450710	Low Pull Door Closer Spring	105	0235260	Bracket, Lower light
40	3421290	Door Closer Linkage	106	4200170	Refrig. Fan Mtr Cmpnts (Blade not Incl.)
41	0165980	Door Closer Spring Retainer	107	0212520	Bracket, Fan (Production)
42	3421260	Door Closer Bearing		0212540	Bracket, Fan (In Srvc Pkg, 4200170)
	3421261	Bearing, Door Closer, B	108	3150640	Fan blade, Ref/Fre Evap.
43	3450570	Door Closer Cushion	109	6220540	Screw Grommet / Stand-off
44	0165970	Door Closer Guide Support	110	4162800	Shroud Assy, Ref Fan
45	3421310	Door Closer Guide	111	6201010	Screw, #8-15 x 2" Pan Head
46	0166360	Door Stop Cushion Retainer	112	6180010	Pop Rivet, 1/8"
47	6180010	Pop Rivet, 1/8"	113	3082140	Light Terminator
48	DS90	Door Stop-90 Degree (Sales Acc.)	114	6201440	Screw, #8-32 X 1 3/4 FILHD
	DS90/B	Stop, Door Kit 90 Degree, B (Sales Acc.)	115	0212610	Drain Trough Assembly
	DS105	Door Stop-105 Degree (Sales Acc.)	116	3212460	Gasket, Condenser
	DS105/B	Stop, Door Kit 105 Degree, B (Sales Acc.)	117	3030040	Bulb, Light 40W 7/8"X5-1/2"
49	3450560	E - Ring, 7/16"	118	3520250	Water Inlet Fitting Assy
50	3060130	SPST Fan/Icemaker Switch (White)			
	3060131	Switch, Rocker N.O. Black			

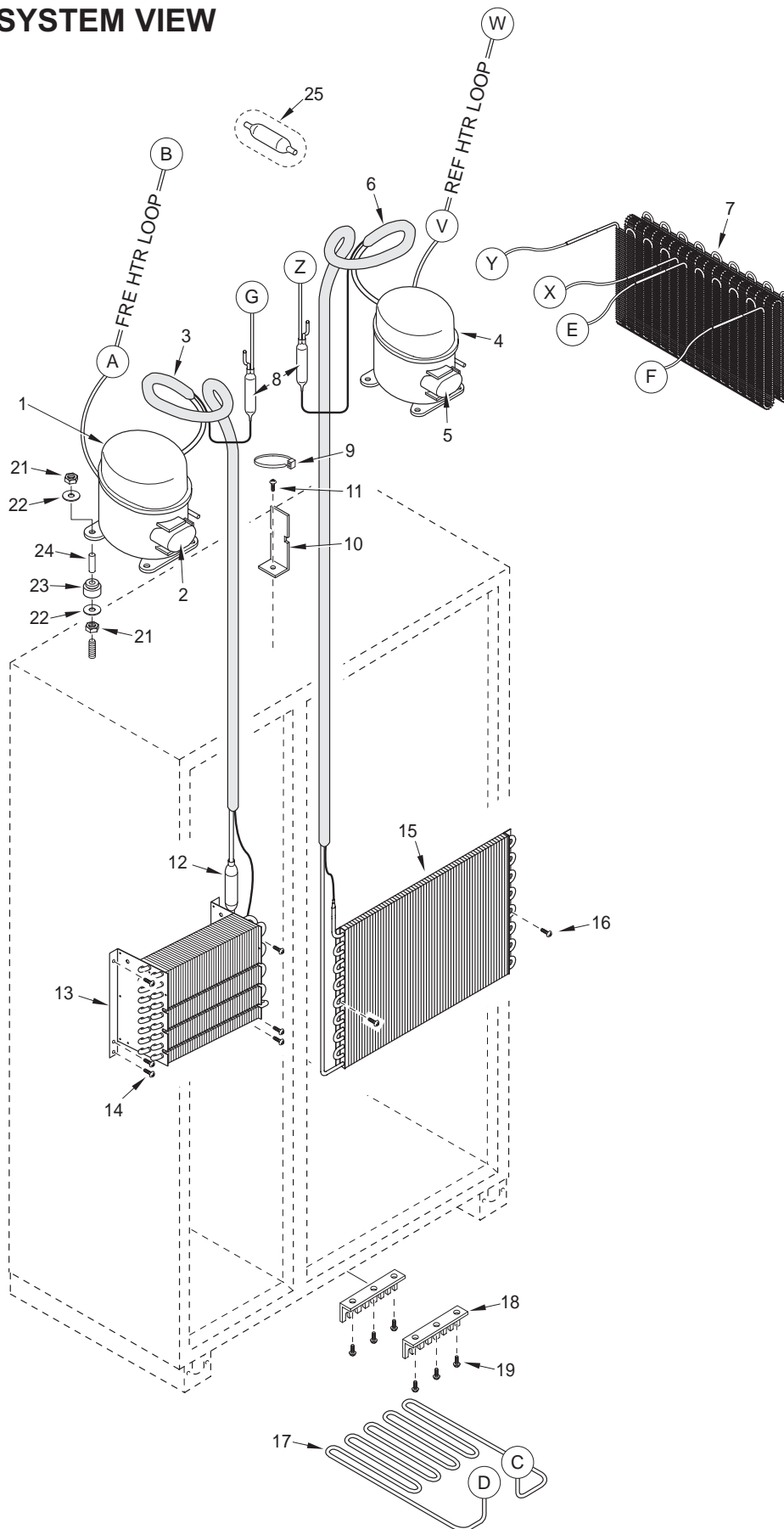
661-2 MECHANICAL VIEW



661-2 SEALED SYSTEM PARTS LIST

<u>Ref #</u>	<u>Part #</u>	<u>Description</u>
1	4202250	Compressor , Freezer (DA73)
2	3111041	Relay, (PTH490D-AS100) (For DA73 Compressor)
	3111430	Overload, (4TM419MFB) (For with DA73 Compressor)
	3112450	Electrical Assembly (For EGZ80 Comp)
	3111070	Run Capacitor, (12Mf) (For DA73 and EGZ80 Compressors)
3	4251690	Heat Exchanger, Freezer
4	4201880	Compressor, Refrig. (EMI30HER)
5	3111370	Relay, (1351400 - For EMI30HER Comp)
	3111410	Overload, (4TM734LFB - For EMI30HER Comp)
	3112211	Electrical Assembly (For EMU30HSC Comp)
	3111070	Capacitor (For EMU30HSC Comp)
6	4251600	Heat Exchanger, Refrigerator
7	3120420	Condenser, Wire on Tube
8	3014230	Filter-Drier, High Side
9	6120170	Locking Cable Tie, Red, 11-1/2"
10	0168040	Drier Bracket
11	6201270	Screw, #8-18 x 5/8" PH PN SS-Gnd
12	3011130	Freezer Accumulator
13	3130590	Evaporator Coil, Fre
14	6201270	Screw, #8-18 x 5/8" PH PN SS-Gnd
15	3130640	Evaporator, Refrig.
16	6201270	Screw, #8-18 x 5/8" PH PN SS-Gnd
17	2600138	Drain Pan Heater Loop
18	3421410	Drain Pan Heater Loop Support
19	6200010	Screw, #10-12 x 3/4" Pan HD
20	NA	
21	6150220	Nut, 5/16-18 Hex Zinc
22	6240050	Flat Washer, 5/16"
23	3150010	Rubber Grommet, Small, 5/8"
	3150170	Rubber Grommet, Large, 15/16"
24	6160030	Spacer, 5/16 x 7/16 x 5/8"
	6160070	Sleeve, 5/16 x 7/16 x 7/8"
25	3014100	Suction Line Drier (Service Only)

661-2 SEALED SYSTEM VIEW

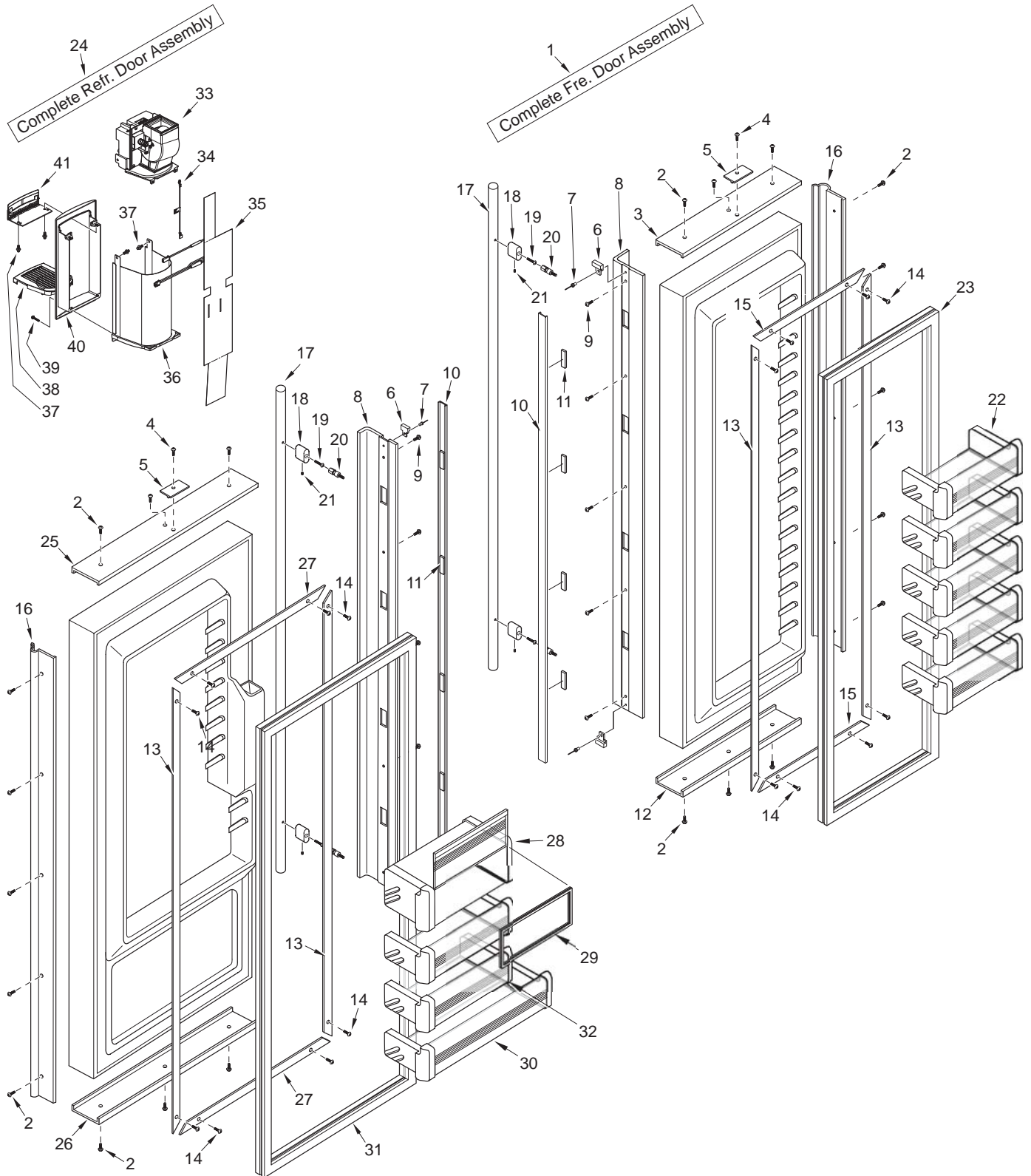


685-2 DOOR PARTS LIST (Prior to Serial #M2271174/P2273569)

<u>Ref #</u>	<u>Part #</u>	<u>Description</u>	<u>Ref #</u>	<u>Part #</u>	<u>Description</u>
1	4133175	Freezer Door Assy, Frame/Overlay	22	4330650	Fre Door Shelf Assy
	4133235	Fre Door Assy, SS	23	3212190	Door Gasket, Fre
NOTE:	Freezer door assy's do NOT incl. hinges or handle.		24	4135131	Door Assy, SRVC Ref 685 Frmd/Olay
2	6200720	Screw, #8-18 x 1/2 PH Truss HD		4135145	Door Assy, SRVC Ref 685 Stainless Steel
3	2230617	Door Trim, Top; Freezer	NOTE:	Refrig. Door Assy's incl. top hinge assy & dispenser assy; Do NOT incl. bot hinge, handle, bezel or grille.	
4	6200720	Screw, #8-18 x 1/2 PH Truss HD	25	2230615	Door Trim, Top; Refrigerator
5	4200940	Switch Depressor (Includes Screw)	26	2230616	Door Trim, Bottom; Refrigerator
6	3413340	Handle/Trim End Cap	27	3421620	Gasket Retainer, 23.125"
7	6180160	Rivet, Open End Blind, 1/8" X 3/16"	28	4330620	Dairy Compartment Assembly
8	4132220	Door Handle Assembly (Framed)	29	3211910	Dairy Compartment Gasket
	4132320	Handle-Side Door Trim (Overlay)	30	4330550	Refrig. Door Shelf Assembly (Regular)
9	6201300	Tapping Screw, #8 x 1/2"		4330540	Gallon Door Shelf Assy (Sales Acc.)
10	4131860	Handle/Trim Molding Assembly	31	3212180	Door Gasket, Refrigerator
11	3451140	Magnet, Trim Strip - 3"	32	4330630	Upper Refrig. Door Shelf Assembly
12	2230618	Door Trim, Bottom; Freezer	33	4204291	PCKG, Dispenser Assy
13	3420260	Gasket Retainer, 66.875"	34	3021480	Wiring Harness, Ground
14	6200410	Screw, #8 x 1/2" Slot Head Hex	35	3070390	Heater, Glasswell
15	3421610	Gasket Retainer, 13.813"	36	4204294	PCKG, Glasswell Liner/Sump
16	3511131	Door Trim, Hinge Side - Mitered Corner	37	6180330	Rivet, Plastic 1/4 DIA
	3511130	Door Trim, Hinge Side - (SS Model)	38	3414250	Grille, Glasswell
17	4133730	Handle Assy, SS OBR Standoffs	39	6201630	Screw, #8-16 X 1 SS (SS Units)
18	3512150	Standoff, SS Oval		6201640	Screw, #8-16 X 1-1/2 SS (Frmd/Olay)
19	6110720	Bolt #10-24X1/2 Socket HD Cap	40	4204293	PCKG, Dispenser Bezel/S
20	3511520	Handle Mounting Stud	41	4204292	PCKG, Dispenser Control Panel
21	6110730	Set Screw #10-32 X 1/4 SS Cone			



685-2 DOOR VIEW (Prior to Serial #M2271174/P2273569)

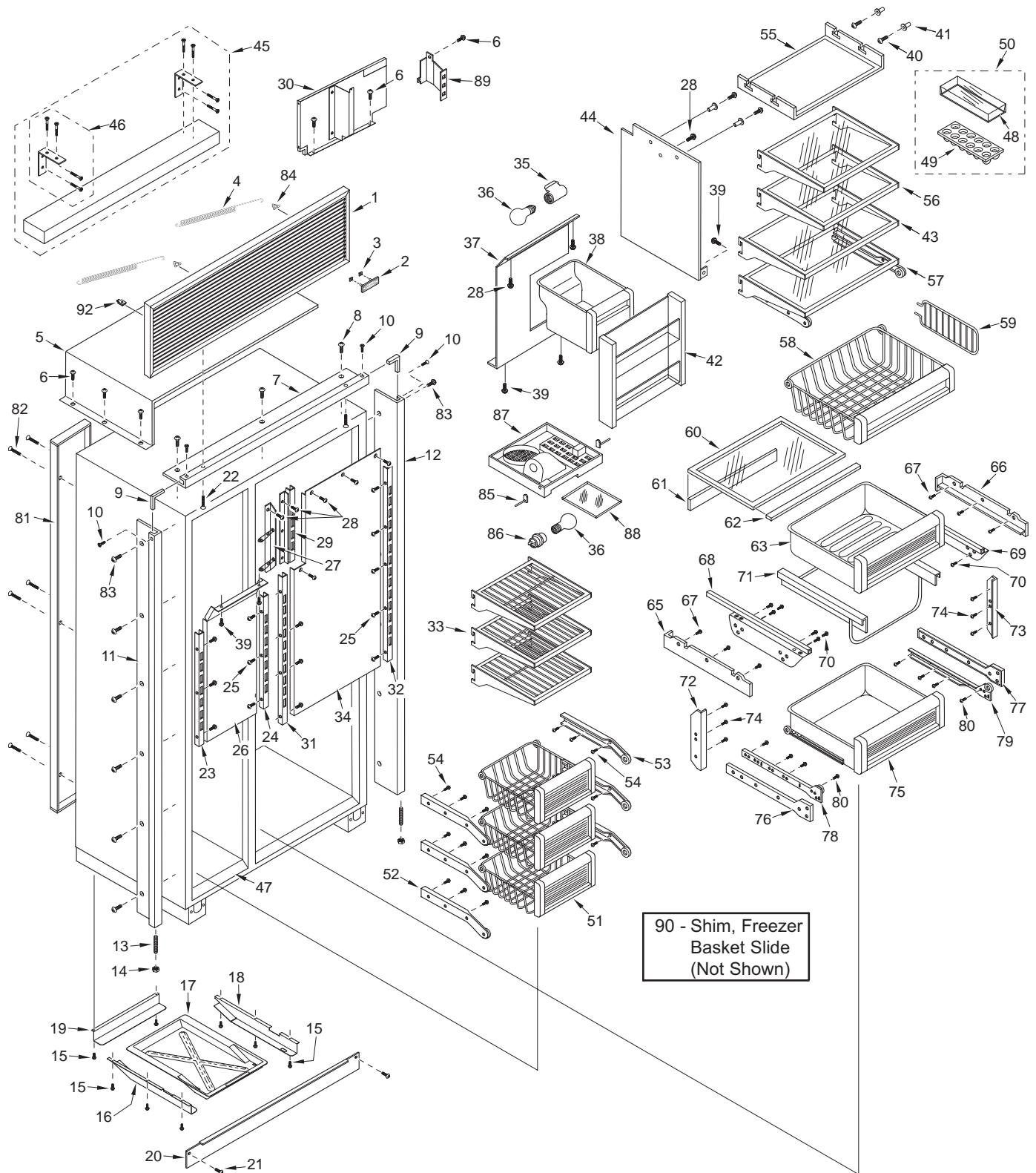


685-2 COSMETIC PARTS LIST (Prior to Serial #M2271174/P2273569)

Ref #	Part #	Description	Ref #	Part #	Description
1	6LG4211	Louvered Grille Assembly, 42" x 11"	44	0212420	Cover, Water Tank
	6PG4211	Panel Grille Assembly, 42" x 11"	45	4202860	Blocking Components; 42"
	6SG4211/S	SS Grille, 42X11-CLSC	46	4201340	Blocking Hardware Package
2	3580270	Logo, Stainless 3 1/2", (Stick-on)	47	4203920	Patch, Fre Face Frm Sill
	3580280	Logo, Framed 3 1/2" (With Pegs)	48	3412280	Egg Tray Cover
3	6150140	Spring Grip Nut, 1/8"	49	3412270	Egg Tray
4	3450900	Grille Spring	50	4131810	Egg Tray with Cover
5	4281000	Unit Shroud Assembly	51	4181970	Freezer Basket Assy
6	6200230	Screw, #8-18 x 1/2" Hex Head	52	4181842	Fre Bskt Slide Assy-LH
7	2234023	Frame, Main Top 42	53	4181841	Fre Bskt Slide Assy-RH
8	6200010	Screw, #10-12 x 3/4" Pan HD	54	6200450	Screw, #8 x 1" Type AR Flat
9	2210701	Main Frame Angle	55	4161490	Refrig. Light Diffuser Assembly
10	6200070	Screw, #4-24 x 3/8" Flat HD	56	3602100	Glass Shelf, Refrig Upper, Spill Proof
11	4120870	Frame Assy, Main Left-LH	57	4181650	Refrig. Roll-out Shelf Assy
12	4120860	Frame Assy, Main Rt-RH	58	4181530	Refrig. Roll-out Basket Assy
13	3550190	Bottom Hinge Stud	59	3411160	Ref Roll-Out Bskt Divider
14	6150200	Nut, 1/4-20 Hex	60	4151760	Crisper Glass Assembly (Incl Seals)
15	6200010	Screw, #10-12 x 3/4" Pan HD	61	3211780	Crisper Glass Seal, Rear
16	0262010	Support, Drain Pan, LH	62	3211750	Crisper Glass Seal, Front
17	2120121	Pan, Drain Vac Form	63	4181450	High Humidity Drawer Assembly
18	0262000	Support, Drain Pan, RH	64	N/A	
19	0262020	Support, Drain Pan, Rear	65	3421711	Top Crspr Glass Support, Narrow-RH
20	0169820	Kickplate, Solid (Black)	66	3421721	Top Crisper glass Support, Wide-RH
	0168210	Kickplate, Stainless Steel	67	6201130	Screw, #8x 1/2" PH FL HD SS
21	6200050	Screw, #10-12 Pan Hd	68	4181421	Top Crisper Slide Assy, Narrow-RH
	6200720	Screw, #8-18x1/2 Ph Tr Hd (SS Model)	69	4181411	Top Crisper Slide Assembly, Wide-RH
22	6201310	Screw, #8 x 1-3/4" Flat PH HD	70	6201270	Screw, #8-18 x 5/8" PH PN SS-Gnd
23	3602230	Fre Shelf Ladder, Left	71	3421780	Humidity Drawer Slide-Frame
24	3602220	Fre Shelf Ladder, Right	72	3421732	Crisper Filler Strip, Wide
25	6200710	Screw, #8-18 x 3/8" Fillister HD	73	3421731	Crisper Filler Strip, Narrow
26	0201150	Freezer Duct	74	6201270	Screw, #8-18 x 5/8" PH PN SS-Gnd
27	4151400	Tank Cover Bracket Assembly	75	4181480	Small Storage Drawer Assembly
28	6201270	Screw, #8-18 x 5/8" PH PN SS-Gnd	76	3421691	Bott Crisper Slide Support, Narrow
29	4151410	Refrig. Upper Left Shelf Ladder Assy	77	3421692	Bott Crisper Slide Support, Wide
30	4280950	Compsr. Shroud Assy	78	3413112	Bot Crisper Slide, Cabinet - Left
31	3602060	Refrig. Shelf Ladder, Lower Left	79	3413111	Bot Crisper Slide, Cabinet - Right
32	3601811	Refrig. Shelf Ladder, Right	80	6201230	Screw, #8 x 7/8" w/a #7 PH FT Head
33	3602210	Freezer Wire Shelf	81	0261640	Duct, Back
34	0201140	Cover, Ref Evap	82	6201060	Screw, #8x1-1/4" PH FLAT TAP
35	3050230	Socket, Light Med Base Sngl	83	6201550	Screw, #8-18 Lw Prfl
36	3030030	Light Bulb, 40 Watt	84	3450520	Grille Hook
37	4161500	Light Assy, Fre Evap Frnt	85	3550620	Snap Pin
38	4181690	Ice Bucket Assy	86	3050260	Socket, Light Med Base
39	6200140	Screw, #8-15 x 3/8" Truss HD	87	4151970	Cover Assy, Lwr Evap
40	6201330	Screw, #8-18 x 5/8" PH PN SS-Gnd	88	3500620	Freezer Lower Light Diffuser
41	3520420	Insert / Diffuser Stand-off	89	0262080	Bracket, Cond Shroud
42	4181860	Juice Can Rack Assy	90	2121120	Shim, Fre Basket Slide
43	3602041	Glass Shelf, Spill Proof			



685-2 COSMETIC VIEW (Prior to Serial #M2271174/P2273569)

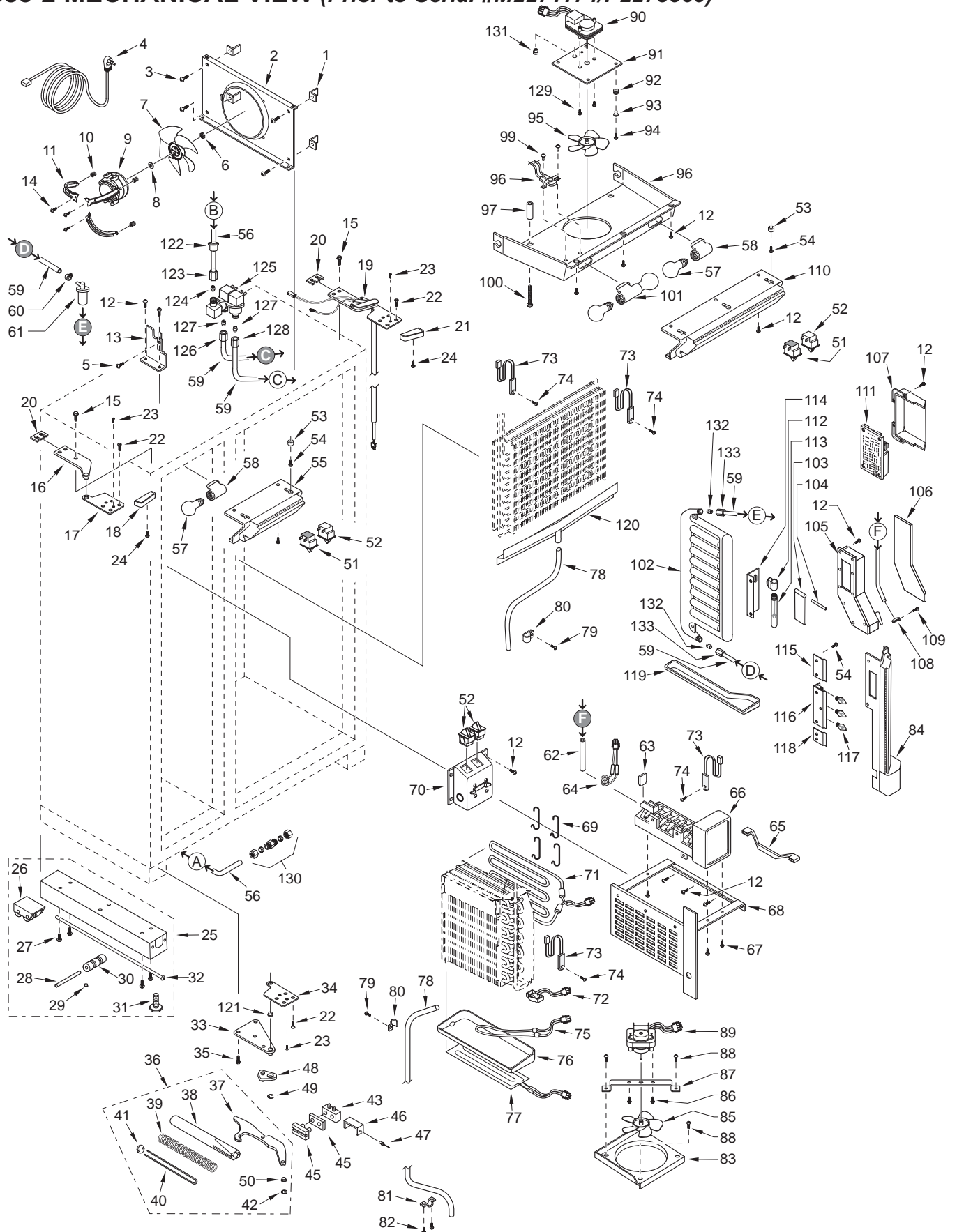


685-2 MECHANICAL PARTS LIST (Prior to Serial #M2271174/P2273569)

Ref #	Part #	Description	Ref #	Part #	Description
1	3450290	Angle Bracket	65	3140400	Icemaker Rudder Arm
2	0261200	Shroud, Cond Fan	66	4200522	Icemaker Assembly
3	6200010	Screw, #10-12 x 3/4" Pan HD	67	6201000	Screw #8-32X3/8 Thread Forming
4	3025560	Cord Assy, Power Supply	68	4203740	Kit, 680 Mainframe
5	6200060	Screw, #8-32 x 1/2" Pan HD	69	1801100	Heater Clip
6	6150410	Nut, 1/4-20	70	4220420	Auger Motor Assy (Incl motor & switches)
7	3150800	Blade, Condenser Forward-SW	71	3070100	Defrost Heater Assy
8	3210340	Neoprene Silencer, 7/8"	72	3082060	Defrost Terminator
9	4200740	Motor Pkg, Cond Fan (blade not incl.)	73	4204150	Thermistor, ASM Srvc Pkg
10	3220360	Grommet, Mtg Brkt	74	6201270	Screw, #8-18 x 5/8" PH PN SS-Gnd
11	0261150	Brkt, Cond Mounting (3)	75	3070170	Drain Tube Heater
12	6201270	Screw, #8-18 x 5/8" PH PN SS-Gnd	76	4190290	Fre Drain Trough Assy
13	0167830	Solenoid Bracket	77	3013710	Freezer Drain Trough Heater Assy
14	6200490	Screw, #8-32 x 3/8" Slotted Hex T25	78	1601400	Drain Tube, Wire - 1/2" x 72"
15	6110070	Bolt, 1/4-20x3/4 Spinlock Zinc	79	6200010	Screw, #10-12 x 3/4" Pan HD
16	4151272	Cabinet Hinge Assy, Upper LH	80	6120050	Tube Clamp, Plastic, 5/8"
17	4151472	Door Hinge Assy, Top LH	81	6120210	U-Clamp, 5/8"
18	3541018	Top Cabinet Hinge Cover, LH	82	6200010	Screw, #10-12 x 3/4" Pan HD
19	4325200	W/H,Ref Door Hinge	83	0234910	Fre Evap Fan Shrd Assy
20	0168680	Shim - Hinge	84	4161463	Vertical Cntrl Pnl Assy
21	3541017	Top Cabinet Hinge Cover, RH	85	3150570	Fan Blade - ECM
22	6110540	Bolt, #10-24 x 1/2" Flat Socket HD	86	6200060	Screw, #8-32 x 1/2" Pan HD
23	6200390	Screw, #6 x 3/8" T25 Flat Head PH	87	0234220	Freezer Fan Bracket
24	6200140	Screw, #8-15 x 3/8" Truss HD	88	6200850	Screw, #8 x 3/4" PH FH Hi-lo
25	4110353	Base Assy (w/rollers)	89	4200160	Freezer Fan Mtr Cmpnts (Blade not Incl.)
26	4110331	Base Rear Roller Assy	90	4200170	Refrig. Fan Mtr Cmpnts (Blade not Incl.)
27	6200010	Screw, #10-12 x 3/4" Pan HD	91	0211620	Refrig Fan Bracket
28	3550560	Straight Pin, Base Assy - .312" x 2.88"	92	3220250	Grommet, Rubber-M5351
29	3450620	Canoe Clip	93	3520410	Brass Insert, Fan
30	3421240	Cabinet Roller (Single)	94	6110270	Bolt, #10-32 x 1/4" RD HD
31	3570050	Leveling Leg, #18-3/8 x 1"	95	3150640	Fan blade, Ref/Fre Evap.
32	6110580	Adjusting Screw	96	4161480	Refrig. Fan Shroud Assy
33	4151281	Cabinet Hinge Assy, Lower RH	97	6220540	Screw Grommet / Stand-off
	4151282	Cabinet Hinge Assy, Lower LH	98	3082140	Light Terminator
34	4151241	Door Hinge, Bottom RH	99	6180010	Pop Rivet, 1/8"
	4151242	Door Hinge, Bottom LH	100	6201010	Screw, #8-15 x 2" Pan Head
35	6110070	Bolt, 1/4-20x3/4 Spinlock Zinc	101	3050250	Sckt, Light M Base Dbl
36	4201111	Door Closer Assy, RH	102	4181710	Water Resrvr Tank Assy (Incl water lines)
	4201112	Door Closer Assy, LH	103	3515940	Mullion Chute Door
37	NA	See 4201111, 1112, 1115 or 1116	104	3421360	Chute Door Rod
38	NA	See 4201111, 1112, 1115 or 1116	105	4181230	Ice Chute/Water Nozzle Assembly
39	3450530	Door Closer Spring	106	3411530	Ice Chute Cover
	3450710	Low-Pull Door Closer Spring	107	3413810	Control Enclosure
40	3421290	Door Closer Linkage	108	6120120	Tube Clamp, 3/8" Stl w/nut
41	0165980	Door Closer Spring Retainer	109	6200330	Screw, #8-18 x 3/8" Pan Head
42	3421260	Door Closer Bearing	110	4162931	Front Assy, Ref
43	3450570	Door Closer Cushion	111	4204280	Cntrl Board, Dual Dispense
44	0165970	Door Closer Guide Support	112	3050220	Socket, Light Base Sngl
45	3421310	Door Closer Guide	113	3030040	Light Bulb, Long/Narrow; 40 watt
46	0166360	Door Stop Cushion Retainer	114	0212790	Bracket, Display Light
47	6180010	Pop Rivet, 1/8"	115	0212270	Control Panel Retainer, Upper
48	DS90	Door Stop-90 Degree	116	0212280	Control Panel Retainer, Mid
	DS105	Door Stop-105 Degree	117	3030070	Light Bulb, 7W
49	3450560	E-Ring, 7/16"	118	0212290	Control Panel Retainer, Lower
50	3450550	E-Ring / Klipping , 5/16"	119	0212960	Mullion Trough
51	3060140	SPST Light Switch (White)	120	0212600	Drain Trough Assembly
52	3060130	SPST Fan/Icemaker Switch (White)	121	3421270	Hinge Bearing, 3/8" x 5/8"
53	6160240	Nylon Spacer	122	3024010	Heat Shrink/Spray Cvr (Also order 6120180)
54	6200720	Screw, #8-18 x 1/2 PH Truss HD	123	3520390	Compression Fitting
55	4162911	Front Assy, Fre	124	3520390	Compression Fitting
56	2604163	Water Inlet Line, Copper	125	3090280	Dual Water Valve
57	3030030	Light Bulb, 40 Watt	126	3520380	Compression Nut
58	3050230	Socket, Light Med Base Sngl	127	3520050	Brass Insert, Solenoid
59	2600617	Plastic Water Line	128	3520390	Compression Fitting
60	6220470	Fill Tube Clamp	129	6110270	Bolt, #10-32 x 1/4" RD HD
61	1607700	Water Inlet Tube	130	3520250	Water Inlet Fitting Assy
62	2605411	Water inlet Tube extension, 2.06"	131	3220300	Bushing, Strain Relief RT Angle
63	3140360	Fill Cup Plug	132	3520050	Brass Insert, Solenoid
64	3070210	Fill Tube Heater	133	3520340	Water Tank Compression Nut



685-2 MECHANICAL VIEW (Prior to Serial #M2271174/P2273569)

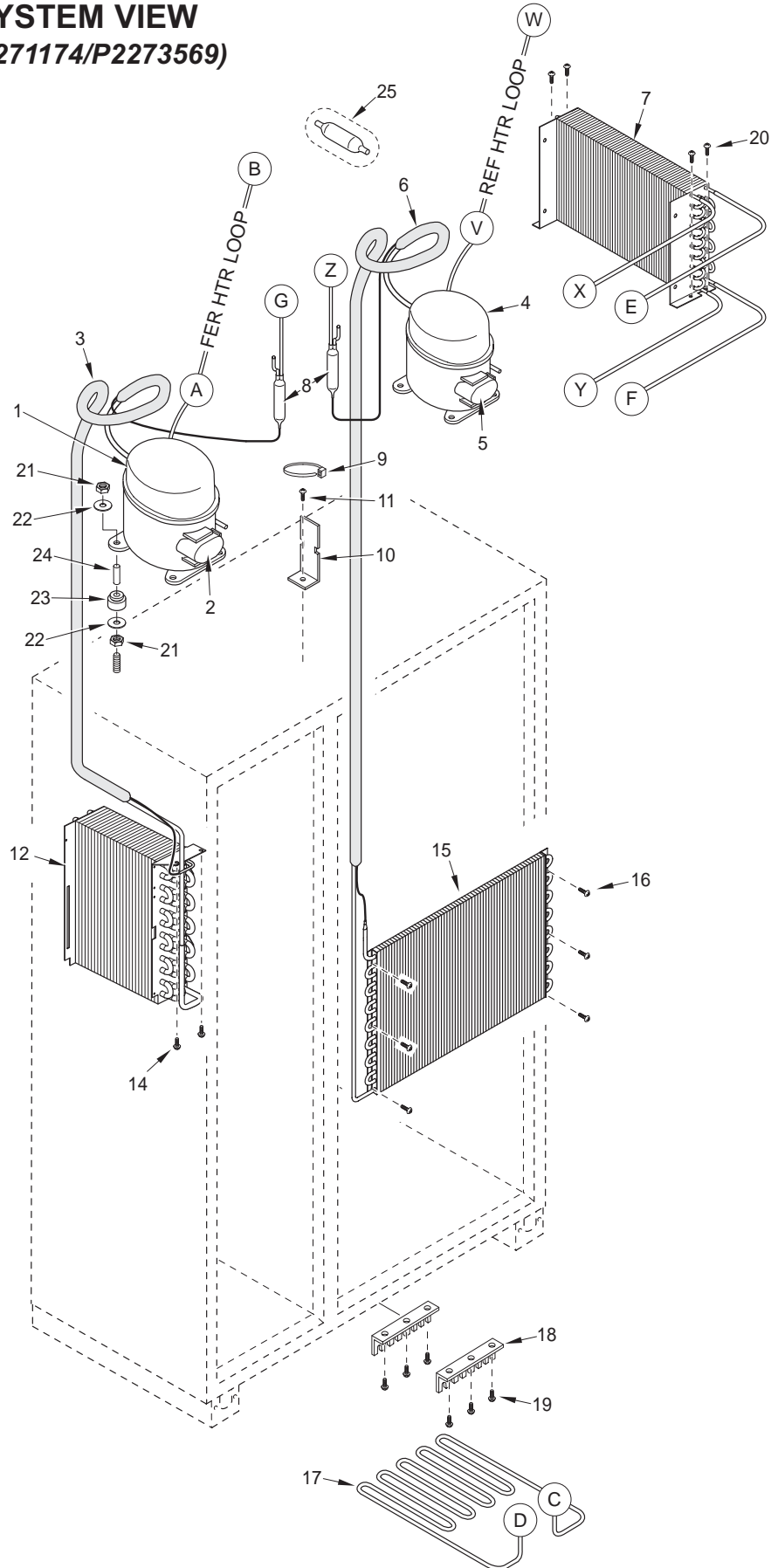


685-2 SEALED SYSTEM PARTS LIST (Prior to Serial #M2271174/P2273569)

<u>Ref #</u>	<u>Part #</u>	<u>Description</u>
1	4202280	Compressor, Freezer (EMI60HER)
2	3111460	Relay, (1351408) (Used with EMI60HER Compressor)
	3111470	Overload, (4TM757NFB) (Used with EMI60HER Compressor)
3	4251250	Heat Exchanger, Freezer
4	4201880	Compressor, Refrig. (EMI30HER)
5	3111370	Relay, (1351400 - Used with EMI30HER Comp)
	3111410	Overload, (4TM734LFB - Used with EMI30HER Comp)
	3112212	Electrical Assy, (Used with EMT30HSC Comp)
6	4251300	Heat Exchanger, Refrigerator
7	3120330	Condenser, Dual
8	3014230	Filter-Drier, High Side
9	6120170	Locking Cable Tie, Red, 11-1/2"
10	0168040	Drier Bracket
11	6201270	Screw, #8-18 x 5/8" PH PN SS-Gnd
12	4211640	Evaporator Assy, Freezer (INCL: Heat Exchanger & Electricals)
13	NA	
14	6201270	Screw, #8-18 x 5/8" PH PN SS-Gnd
15	3130420	Evaporator, Refrigerator
16	6201270	Screw, #8-18 x 5/8" PH PN SS-Gnd
17	2600138	Drain Pan Heater Loop
18	3421410	Drain Pan Heater Loop Support
19	6200010	Screw, #10-12 x 3/4" Pan HD
20	6200010	Screw, #10-12 x 3/4" Pan HD
21	6150220	Nut, 5/16-18 Hex Zinc
22	6240050	Flat Washer, 5/16"
23	3150010	Rubber Grommet, Small, 5/8"
	3150170	Rubber Grommet, Large, 15/16"
24	6160030	Spacer, 5/16 x 7/16 x 5/8"
	6160070	Sleeve, 5/16 x 7/16 x 7/8"
25	3014100	Suction Line Drier (Service Only)



685-2 SEALED SYSTEM VIEW (Prior to Serial #M2271174/P2273569)





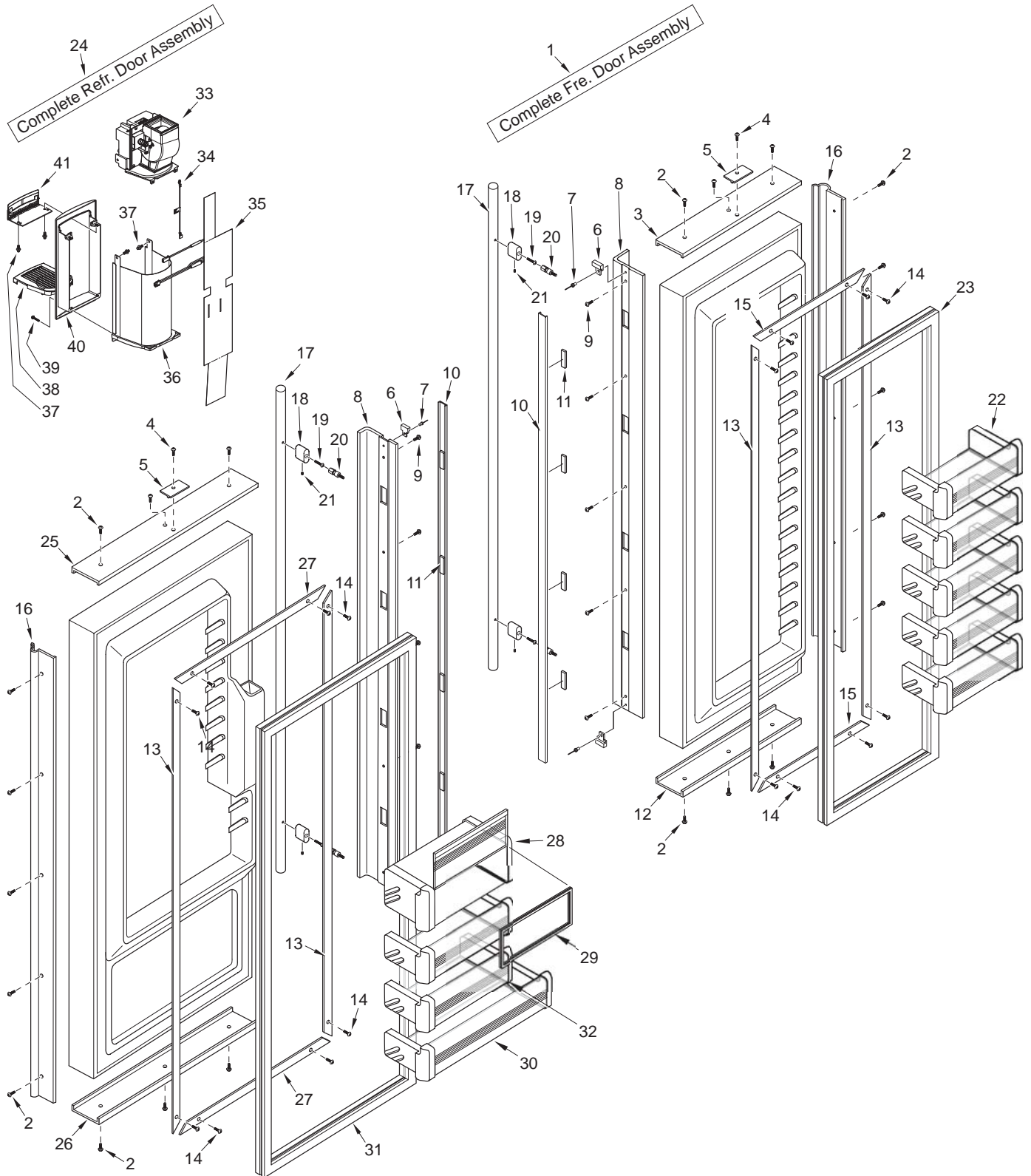
685-2 DOOR PARTS LIST (Starting with Serial #M2271174/P2273569)

Ref #	Part #	Description
1	4133175	Freezer Door Assy, Frame/Overlay
	4133235	Fre Door Assy, SS
NOTE: Freezer door assy's do NOT incl. hinges or handle.		
2	6200720	Screw, #8-18 x 1/2 PH Truss HD
3	2230617	Door Trim, Top; Freezer
4	6200720	Screw, #8-18 x 1/2 PH Truss HD
5	4200940	Switch Depressor (Includes Screw)
6	3413340	Handle/Trim End Cap
7	6180160	Rivet, Open End Blind, 1/8" X 3/16"
8	4132220	Door Handle Assembly (Framed)
	4132320	Handle-Side Door Trim (Overlay)
9	6201300	Tapping Screw, #8 x 1/2"
10	4131860	Handle/Trim Molding Assembly
11	3451140	Magnet, Trim Strip - 3"
12	2230618	Door Trim, Bottom; Freezer
13	3420260	Gasket Retainer, 66.875"
14	6200410	Screw, #8 x 1/2" Slot Head Hex
15	3421610	Gasket Retainer, 13.813"
16	3511131	Door Trim, Hinge Side - Mitered Corner
	3511130	Door Trim, Hinge Side - (SS Model)
17	4133730	Handle Assy, SS OBR Standoffs
18	3512150	Standoff, SS Oval
19	6110720	Bolt #10-24X1/2 Socket HD Cap
20	3511520	Handle Mounting Stud
21	6110730	Set Screw #10-32 X 1/4 SS Cone

Ref #	Part #	Description
22	4330650	Fre Door Shelf Assy
23	3212190	Door Gasket, Fre
24	4135131	Door Assy, SRVC Ref 685 Frmd/Olay
	4135145	Door Assy, SRVC Ref 685 Stainless Steel
NOTE: Refrig. Door Assy's incl. top hinge assy & dispenser assy; Do NOT incl. bot hinge, handle, bezel or grille.		
25	2230615	Door Trim, Top; Refrigerator
26	2230616	Door Trim, Bottom; Refrigerator
27	3421620	Gasket Retainer, 23.125"
28	4330620	Dairy Compartment Assembly
29	3211910	Dairy Compartment Gasket
30	4330550	Refrig. Door Shelf Assembly (Regular)
	4330540	Gallon Door Shelf Assy (Sales Acc.)
31	3212180	Door Gasket, Refrigerator
32	4330630	Upper Refrig. Door Shelf Assembly
33	4204291	PCKG, Dispenser Assy
34	3021480	Wiring Harness, Ground
35	3070390	Heater, Glasswell
36	4204294	PCKG, Glasswell Liner/Sump
37	6180330	Rivet, Plastic 1/4 DIA
38	3414250	Grille, Glasswell
39	6201630	Screw, #8-16 X 1 SS (SS Units)
	6201640	Screw, #8-16 X 1-1/2 SS (Frmd/Olay)
40	4204293	PCKG, Dispenser Bezel/S
41	4204292	PCKG, Dispenser Control Panel



685-2 DOOR VIEW (Starting with Serial #M2271174/P2273569)

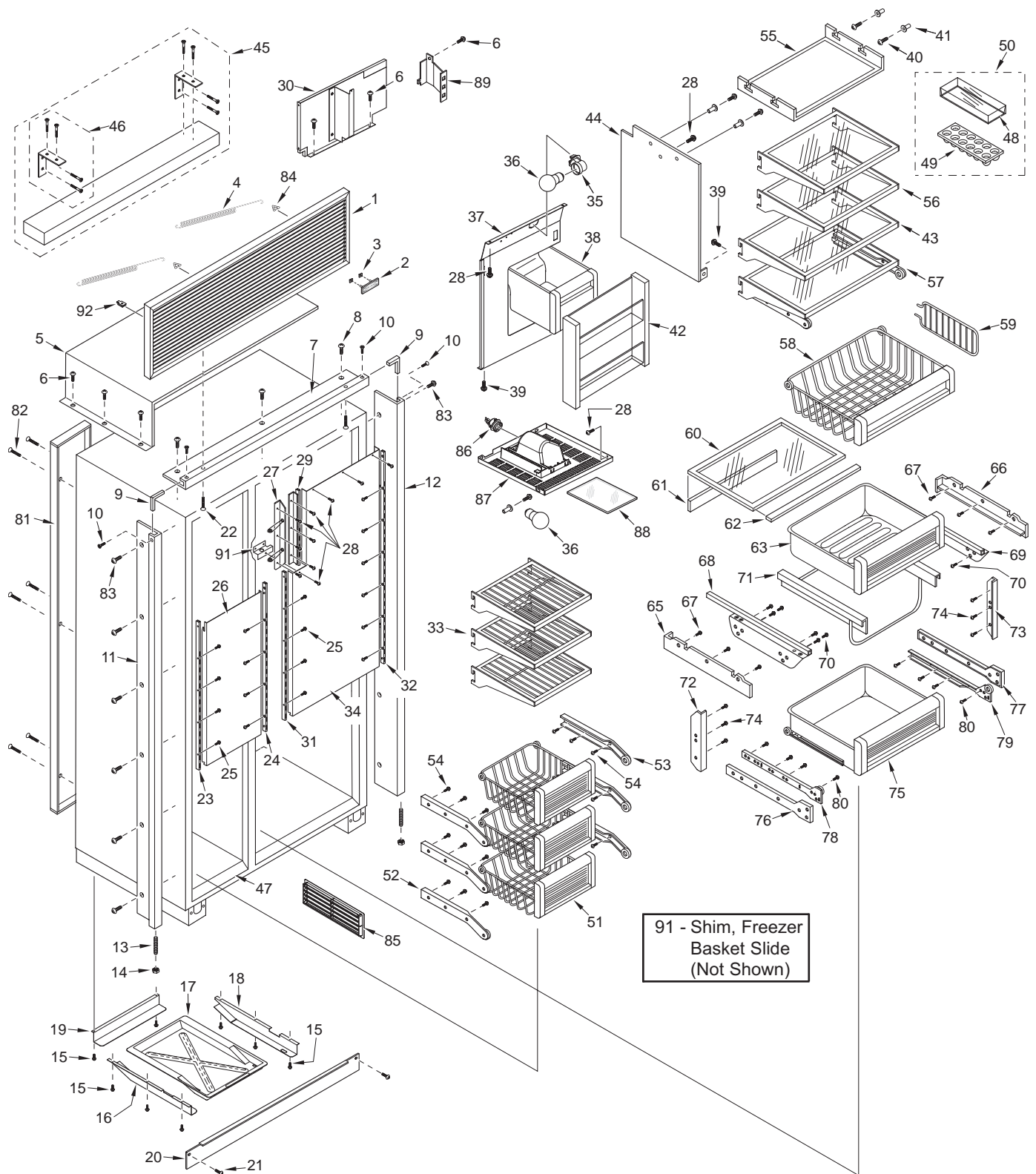


685-2 COSMETIC PARTS LIST (Starting with Serial #M2271174/P2273569)

<u>Ref #</u>	<u>Part #</u>	<u>Description</u>	<u>Ref #</u>	<u>Part #</u>	<u>Description</u>
1	6LG4211	Louvered Grille Assembly, 42" x 11"	44	0212420	Cover, Water Tank
	6PG4211	Panel Grille Assembly, 42" x 11"	45	4202860	Blocking Components; 42"
	6SG4211/S	SS Grille, 42X11-CLSC	46	4201340	Blocking Hardware Package
2	3580270	Logo, Stainless 3 1/2", (Stick-on)	47	4203920	Patch, Fre Face Frm Sill
	3580280	Logo, Framed 3 1/2" (With Pegs)	48	3412280	Egg Tray Cover
3	6150140	Spring Grip Nut, 1/8"	49	3412270	Egg Tray
4	3450900	Grille Spring	50	4131810	Egg Tray with Cover
5	4281450	Unit Shroud Assembly	51	4181970	Freezer Basket Assy
6	6200230	Screw, #8-18 x 1/2" Hex Head	52	4181842	Fre Bskt Slide Assy-LH
7	2234023	Frame, Main Top 42	53	4181841	Fre Bskt Slide Assy-RH
8	6200010	Screw, #10-12 x 3/4" Pan HD	54	6200450	Screw, #8 x 1" Type AR Flat
9	2210701	Main Frame Angle	55	4161490	Refrig. Light Diffuser Assembly
10	6200070	Screw, #4-24 x 3/8" Flat HD	56	3602100	Glass Shelf, Refrig Upper, Spill Proof
11	4120870	Frame Assy, Main Left-LH	57	4181650	Refrig. Roll-out Shelf Assy
12	4120860	Frame Assy, Main Rt-RH	58	4181530	Refrig. Roll-out Basket Assy
13	3550190	Bottom Hinge Stud	59	3411160	Ref Roll-Out Bskt Divider
14	6150200	Nut, 1/4-20 Hex	60	4151760	Crisper Glass Assembly (Incl Seals)
15	6200010	Screw, #10-12 x 3/4" Pan HD	61	3211780	Crisper Glass Seal, Rear
16	0262010	Support, Drain Pan, LH	62	3211750	Crisper Glass Seal, Front
17	2120121	Pan, Drain Vac Form	63	4181450	High Humidity Drawer Assembly
18	0262000	Support, Drain Pan, RH	64	N/A	
19	0262020	Support, Drain Pan, Rear	65	3421711	Top Crspr Glass Support, Narrow-RH
20	0169820	Kickplate, Solid (Black)	66	3421721	Top Crisper glass Support, Wide-RH
	0168210	Kickplate, Stainless Steel	67	6201130	Screw, #8x 1/2" PH FL HD SS
21	6200050	Screw, #10-12 Pan Hd	68	4181421	Top Crisper Slide Assy, Narrow-RH
	6200720	Screw, #8-18x1/2 Ph Tr Hd (SS Model)	69	4181411	Top Crisper Slide Assembly, Wide-RH
22	6201310	Screw, #8 x 1-3/4" Flat PH HD	70	6201270	Screw, #8-18 x 5/8" PH PN SS-Gnd
23	3602350	Fre Shelf Ladder, Left	71	3421780	Humidity Drawer Slide-Frame
24	3602340	Fre Shelf Ladder, Right	72	3421732	Crisper Filler Strip, Wide
25	6200710	Screw, #8-18 x 3/8" Fillister HD	73	3421731	Crisper Filler Strip, Narrow
26	0201320	Freezer Duct	74	6201270	Screw, #8-18 x 5/8" PH PN SS-Gnd
27	4151400	Tank Cover Bracket Assembly	75	4181480	Small Storage Drawer Assembly
28	6201270	Screw, #8-18 x 5/8" PH PN SS-Gnd	76	3421691	Bott Crisper Slide Support, Narrow
29	4151410	Refrig. Upper Left Shelf Ladder Assy	77	3421692	Bott Crisper Slide Support, Wide
30	4281680	Shroud Assy, Compressor	78	3413112	Bot Crisper Slide, Cabinet - Left
31	3602060	Refrig. Shelf Ladder, Lower Left	79	3413111	Bot Crisper Slide, Cabinet - Right
32	3601811	Refrig. Shelf Ladder, Right	80	6201230	Screw, #8 x 7/8" w/a #7 PH FT Head
33	3602210	Freezer Wire Shelf	81	0261640	Duct, Back
34	0201140	Cover, Ref Evap	82	6201060	Screw, #8x1-1/4" PH FLAT TAP
35	3050230	Socket, Light Med Base Sngl	83	6201550	Screw, #8-18 Lw Prfl
36	3030030	Light Bulb, 40 Watt	84	3450520	Grille Hook
37	4162720	Light Assy, Fre Evap Front	85	3414180	Grille, Fre Air Duct
38	4181690	Ice Bucket Assy	86	3050260	Socket, Light Med Base
39	6200140	Screw, #8-15 x 3/8" Truss HD	87	4162740	Light Assy, Lower Fre
40	6201330	Screw, #8-18 x 5/8" PH PN SS-Gnd	88	3500720	Freezer Lower Light Diffuser
41	3520420	Insert / Diffuser Stand-off	89	0262080	Bracket, Cond Shroud
42	4181860	Juice Can Rack Assy	90	0169850	Bracket, Cold Plate Cover
43	3602041	Glass Shelf, Spill Proof	91	2121120	Shim, Fre Basket Slide



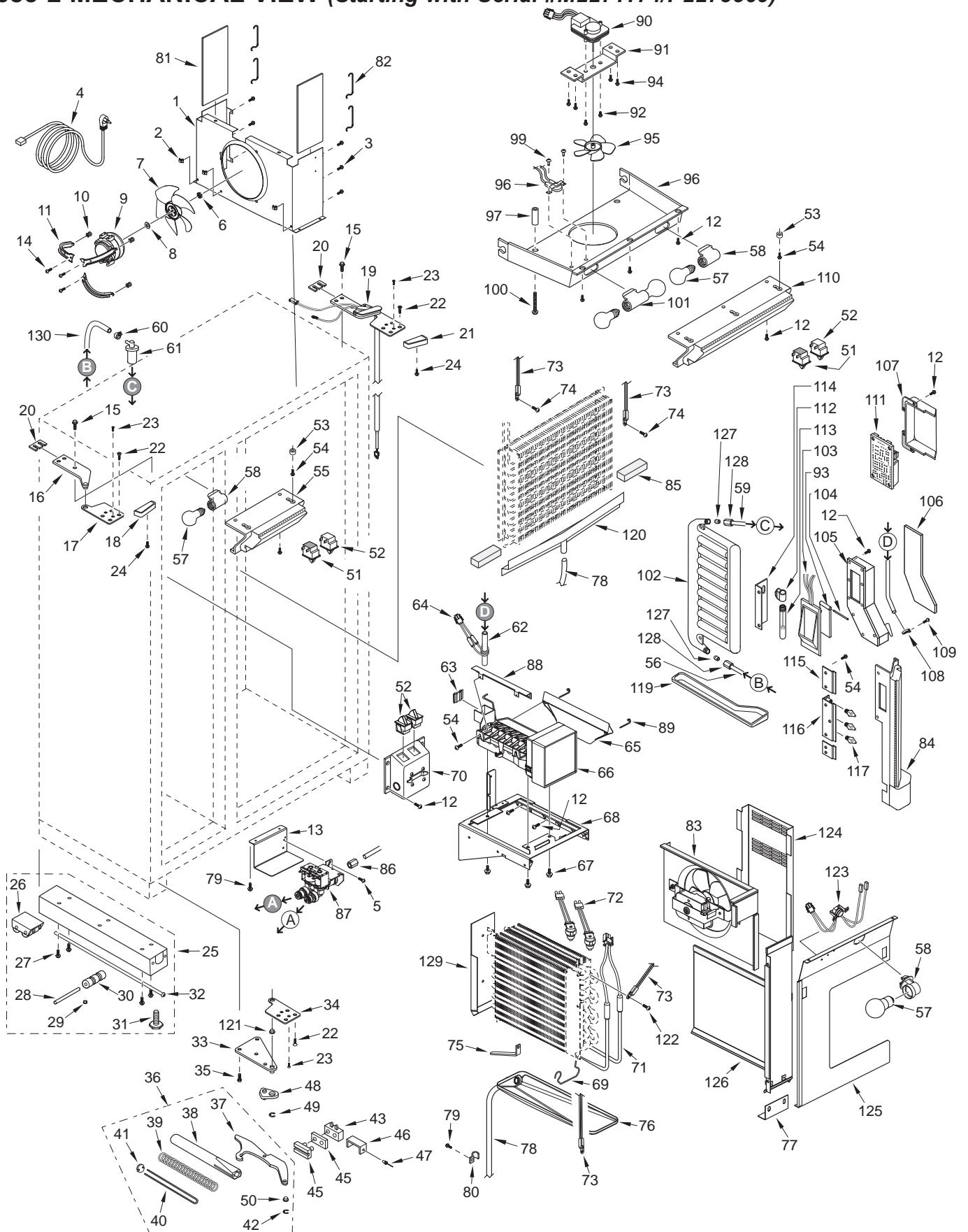
685-2 COSMETIC VIEW (Starting with Serial #M2271174/P2273569)



685-2 MECHANICAL PARTS LIST (Starting with Serial #M2271174/P2273569)

Ref #	Part #	Description	Ref #	Part #	Description
1	0262520	Shroud, Cond Fan	63	3140360	Fill Cup Plug
2	6120460	Push-in Wire Tie PWMS-H25-M	64	3070210	Fill Tube Heater
3	6201420	Screw	65	3140400	Icemaker Rudder Arm
4	3025560	Cord Assy, Power Supply	66	4200522	Icemaker Assembly
5	6200060	Screw, #8-32 x 1/2" Pan HD	67	6201000	Screw #8-32X3/8 Thread Forming
6	6150410	Nut, 1/4-20	68	4182041	SRVC Assy, Ice Bucket Main Frame
7	3150800	Blade, Condenser Forward-SW	69	3451050	Clip, Defrost Heater
8	3210340	Neoprene Silencer, 7/8"	70	4220420	Auger Motor Assy (Incl motor & switches)
9	4200740	Motor Pkg, Cond Fan (blade not incl.)	71	3070230	Heater, Defrost
10	3220360	Grommet, Mtg Brkt	72	3082060	Defrost Terminator
11	0261150	Brkt, Cond Mounting (3)	73	4204150	Thermistor, ASM Srvc Pkg
12	6201270	Screw, #8-18 x 5/8" PH PN SS-Gnd	74	6201270	Screw, #8-18 x 5/8" PH PN SS-Gnd
13	0262090	Bracket, Water Valve	75	0261810	Heat Conductor, Drain Tube
14	6201580	Screw, #8-36 X 1/2 Nylon Patch	76	3000040	Drain Trough, Fre Evap
15	6110070	Bolt, 1/4-20x3/4 Spinlock Zinc	77	0262050	Bracket, Drain Pan
16	4151272	Cabinet Hinge Assy, Upper LH	78	1601400	Drain Tube, Wire - 1/2" x 72"
17	4151472	Door Hinge Assy, Top LH	79	6200010	Screw, #10-12 x 3/4" Pan HD
18	3541018	Top Cabinet Hinge Cover, LH	80	6120050	Tube Clamp, Plastic, 5/8"
19	4325200	W/H, Ref Door Hinge	81	3212460	Gasket, Condenser
20	0168680	Shim - Hinge	82	1801100	Heater Clip
21	3541017	Top Cabinet Hinge Cover, RH	83	4220640	Assy, Fre Evap Fan Shroud
22	6110540	Bolt, #10-24 x 1/2" Flat Socket HD	84	4161463	Vertical Cntrl Pnl Assy
23	6200390	Screw, #6 x 3/8" T25 Flat Head PH	85	6231490	Tape, Foam XLPE
24	6200140	Screw, #8-15 x 3/8" Truss HD	86	3520250	Water Inlet Fitting Assy
25	4110353	Base Assy (w/rollers)	87	3090330	Valve, Water Dual Quick Connect
26	4110331	Base Rear Roller Assy	88	0262630	Bracket, Ice Deflector
27	6200010	Screw, #10-12 x 3/4" Pan HD	89	6120470	Wire Tie, Black
28	3550560	Straight Pin, Base Assy - .312" x 2.88"	90	4200170	Refrig. Fan Mtr Cmpnts (Blade not Incl.)
29	3450620	Canoe Clip	91	0211620	Refrig Fan Bracket
30	3421240	Cabinet Roller (Single)	92	6110270	Bolt, #10-32 x 1/4" RD HD
31	3570050	Leveling Leg, #18-3/8 x 1"	93	4203810	Mullion Chute HTR Rplcmnt
32	6110580	Adjusting Screw	94	6201270	Screw, #8-18 x 5/8" PH PN SS-Gnd
33	4151281	Cabinet Hinge Assy, Lower RH	95	3150640	Fan blade, Ref/Fre Evap.
	4151282	Cabinet Hinge Assy, Lower LH	96	4161480	Refrig. Fan Shroud Assy
34	4151241	Door Hinge, Bottom RH	97	6220540	Screw Grommet / Stand-off
	4151242	Door Hinge, Bottom LH	98	3082140	Light Terminator
35	6110070	Bolt, 1/4-20x3/4 Spinlock Zinc	99	6180010	Pop Rivet, 1/8"
36	4201111	Door Closer Assy, RH	100	6201010	Screw, #8-15 x 2" Pan Head
	4201112	Door Closer Assy, LH	101	3050250	Sckt, Light M Base Dbl
37	NA	See 4201111, 1112, 1115 or 1116	102	4181710	Water Resrvr Tank Assy (Incl water lines)
38	NA	See 4201111, 1112, 1115 or 1116	103	3515940	Mullion Chute Door
39	3450530	Door Closer Spring	104	3421360	Chute Door Rod
	3450710	Low-Pull Door Closer Spring	105	4181230	Ice Chute/Water Nozzle Assembly
40	3421290	Door Closer Linkage	106	3411530	Ice Chute Cover
41	0165980	Door Closer Spring Retainer	107	3413810	Control Enclosure
42	3421260	Door Closer Bearing	108	6120120	Tube Clamp, 3/8" Stl w/nut
43	3450570	Door Closer Cushion	109	6200330	Screw, #8-18 x 3/8" Pan Head
44	0165970	Door Closer Guide Support	110	4162931	Front Assy, Ref
45	3421310	Door Closer Guide	111	4204280	Cntrl Board, Dual Dispense
46	0166360	Door Stop Cushion Retainer	112	3050220	Socket, Light Base Sngl
47	6180010	Pop Rivet, 1/8"	113	3030040	Light Bulb, Long/Narrow; 40 watt
48	DS90	Door Stop-90 Degree	114	0212790	Bracket, Display Light
	DS105	Door Stop-105 Degree	115	0212270	Control Panel Retainer, Upper
49	3450560	E-Ring, 7/16"	116	0212280	Control Panel Retainer, Mid
50	3450550	E-Ring / Klipping , 5/16"	117	3030070	Light Bulb, 7W
51	3060140	SPST Light Switch (White)	118	0212290	Control Panel Retainer, Lower
52	3060130	SPST Fan/Icemaker Switch (White)	119	0212960	Mullion Trough
53	6160240	Nylon Spacer	120	0212600	Drain Trough Assembly
54	6200720	Screw, #8-18 x 1/2 PH Truss HD	121	3421270	Hinge Bearing, 3/8" x 5/8"
55	4162911	Front Assy, Fre	122	6200120	Screw, #10-12 x 1/2" Truss HD
56	3024220	Tube, Plastic Water -118-3/8"	123	3021590	Wire Hrns, Fre Upper Light
57	3030030	Light Bulb, 40 Watt	124	4152180	Cover Assy, Fre Fan
58	3050230	Socket, Light Med Base Sngl	125	4162720	Light Assy, Fre Evap Front
59	2600617	Plastic Water Line	126	4152140	Cover Assy, Fre Evap
60	6220470	Fill Tube Clamp	127	3520050	Brass Insert, Solenoid
61	1607700	Water Inlet Tube	128	3520340	Water Tank Compression Nut
62	2605411	Water inlet Tube extension, 2.06"	129	0235720	Bracket, Drain Deflector
			130	3024230	Tube, Plastic Water

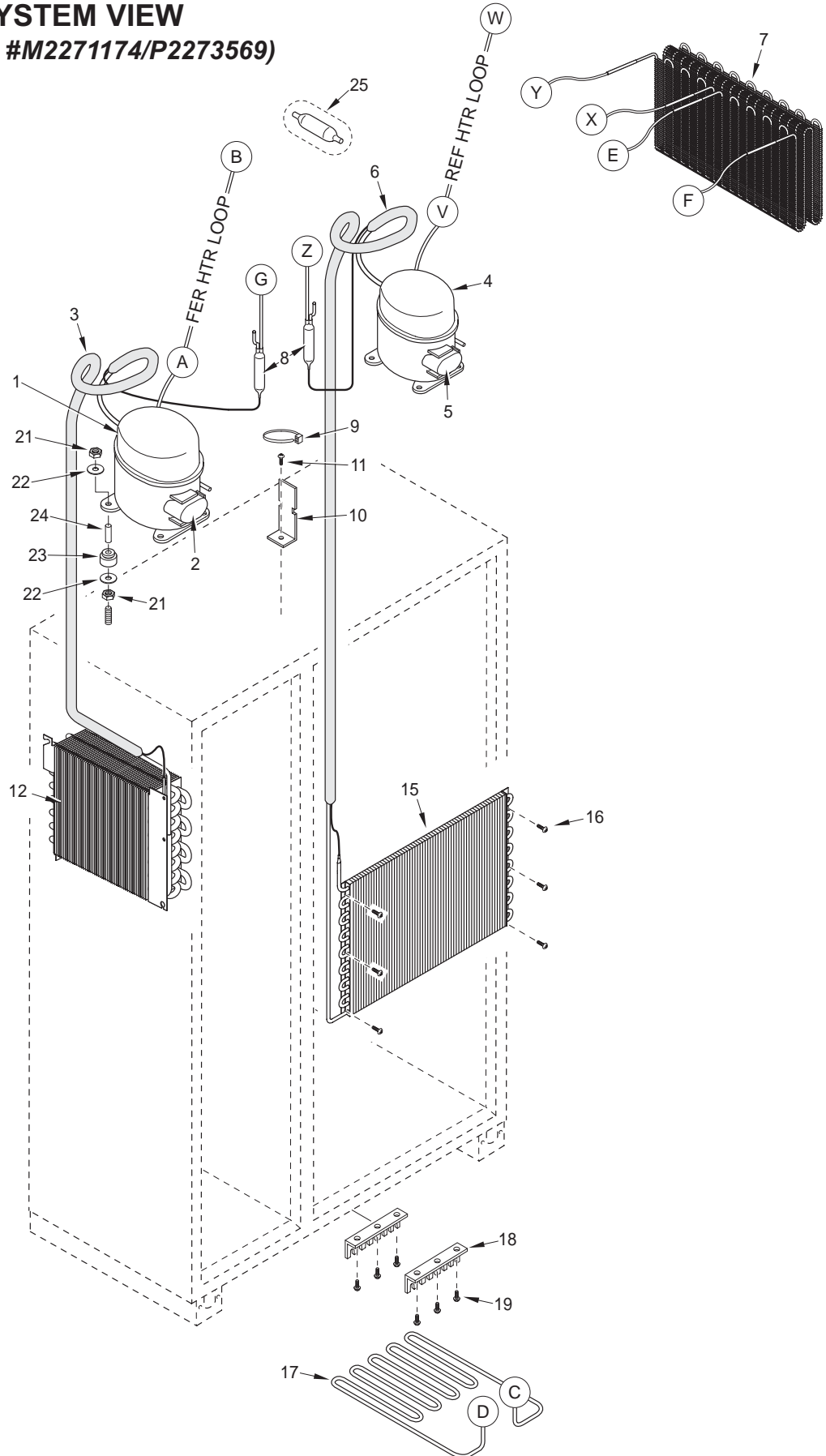
685-2 MECHANICAL VIEW (Starting with Serial #M2271174/P2273569)



685-2 SEALED SYSTEM PARTS LIST (Starting with Serial #M2271174/P2273569)

<u>Ref #</u>	<u>Part #</u>	<u>Description</u>
1	4202280	SRVC Compressor, Freezer (EMI60HER)
2	3111460	Relay, (1351408) (Used with EMI60HER Comp)
	3111470	Overload, (4TM757NFB) (Used with EMI60HER Comp)
	3111070	Running Capacitor, (12Mf) - (Used with DG51C Comp)
	3112210	Electrical Assy, DC51C - (Used with DG51C Comp)
3	4251590	Heat Exchanger, Freezer
4	4201880	SRVC Compressor, Refrig. (EMI30HER)
5	3111370	Relay, (1351400) - (Used with EMI30HER Comp)
	3111410	Overload, (4TM734LFB) - (Used with EMI30HER Comp)
	3111070	Running Capacitor, (12Mf) - (Used with EMUSC30HSC Comp)
	3112211	Electrical Assy, EMU30HSC - (Used with EMUSC30HSC Comp)
	3112212	Electrical Assy, (Used with EMT30HSC Comp)
6	4251570	Heat Exchanger, Refrigerator
7	3120510	Condenser, Wire on Tube
8	3014230	Filter-Drier, High Side
9	6120170	Locking Cable Tie, Red, 11-1/2"
10	0168040	Drier Bracket
11	6201270	Screw, #8-18 x 5/8" PH PN SS-Gnd
12	4211720	Evap Assy, Fre (INCL: Heat Exchanger & Electricals)
13	NA	
14	6201270	Screw, #8-18 x 5/8" PH PN SS-Gnd
15	3130630	Evaporator, Refrigerator
16	6201270	Screw, #8-18 x 5/8" PH PN SS-Gnd
17	2600138	Drain Pan Heater Loop
18	3421410	Drain Pan Heater Loop Support
19	6200010	Screw, #10-12 x 3/4" Pan HD
20	NA	
21	6150220	Nut, 5/16-18 Hex Zinc
22	6240050	Flat Washer, 5/16"
23	3150010	Rubber Grommet, Small, 5/8"
	3150170	Rubber Grommet, Large, 15/16"
24	6160030	Spacer, 5/16 x 7/16 x 5/8"
	6160070	Sleeve, 5/16 x 7/16 x 7/8"
25	3014100	Suction Line Drier (Service Only)

685-2 SEALED SYSTEM VIEW (Starting with Serial #M2271174/P2273569)





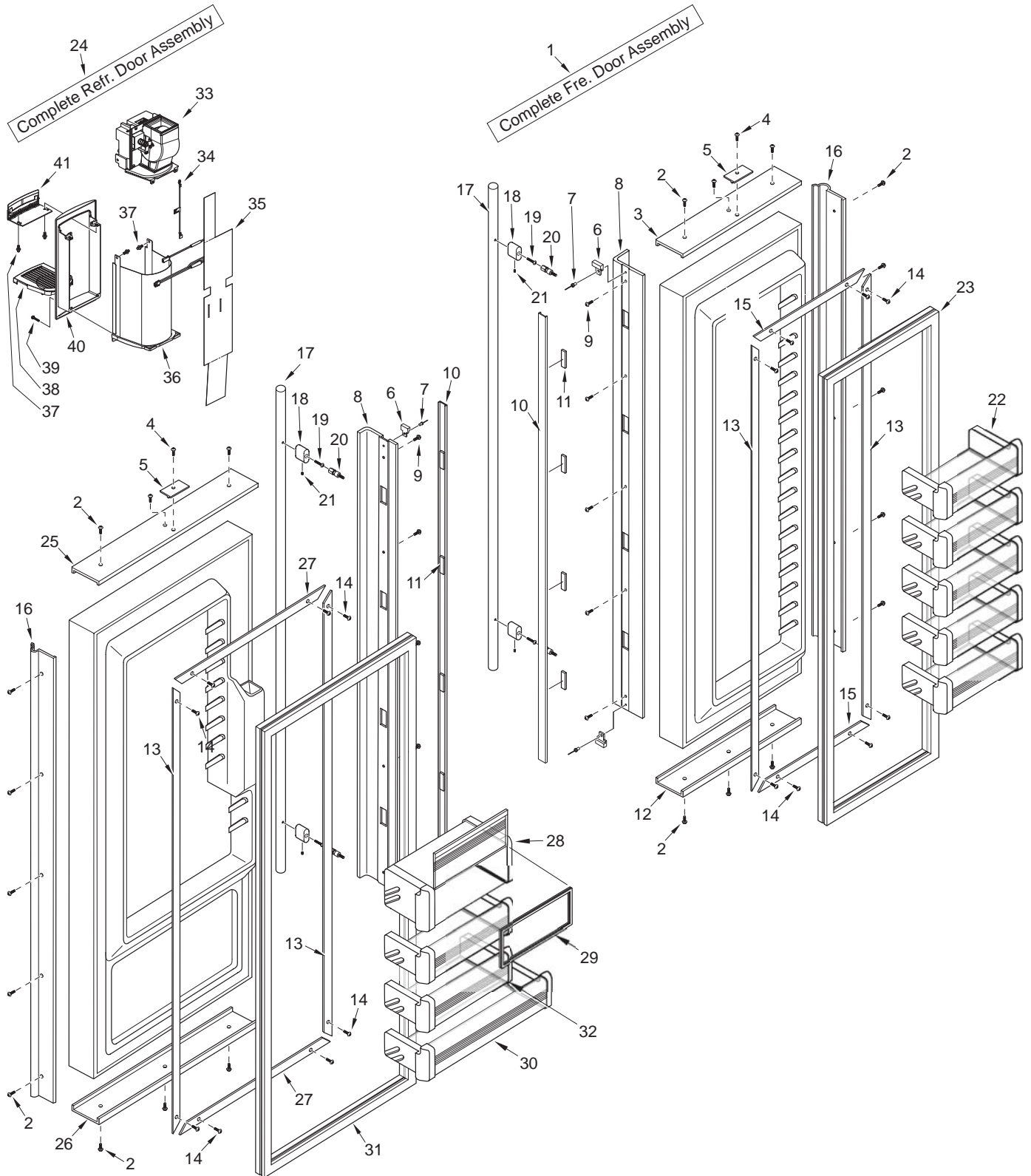
695-2 DOOR PARTS LIST (Prior to Serial #M2275455/P2269189)

Ref #	Part #	Description
1	4132905	Freezer Door Assy, Frame/Overlay
	4134565	Door Assy, SRVC, Fre, SS
NOTE: Freezer door assy's do NOT incl. hinges or handle.		
2	6200720	Screw, #8-18 x 1/2 PH Truss HD
3	2230603	Door Trim, Top; Freezer
4	6200720	Screw, #8-18 x 1/2 PH Truss HD
5	4200940	Switch Depressor (Includes Screw)
6	3413340	Handle/Trim End Cap
7	6180160	Rivet, Open End Blind, 1/8" X 3/16"
8	4132220	Door Handle Assembly (Framed)
	4132320	Handle-Side Door Trim (Overlay)
9	6201300	Tapping Screw, #8 x 1/2"
10	4131860	Handle/Trim Molding Assembly
11	3451140	Magnet, Trim Strip - 3"
12	2230604	Door Trim, Bottom; Freezer
13	3420260	Gasket Retainer, 66.875"
14	6200410	Screw, #8 x 1/2" Slot Head Hex
15	3420140	Gasket Retainer, 16.125"
16	3511131	Door Trim, Hinge Side - Mitered Corner
	3511130	Door Trim, Hinge Side - (SS Model)
17	4133730	Handle Assy, SS OBR Standoffs
18	3512150	Standoff, SS Oval
19	6110720	Bolt #10-24X1/2 Socket HD Cap
20	3511520	Handle Mounting Stud
21	6110730	Set Screw #10-32 X 1/4 SS Cone

Ref #	Part #	Description
22	4330660	Fre Door Shelf Assy
23	3212090	Door Gasket, Fre
24	4135153	Door Assy, SRVC Ref 695 Frmd/Olay
	4135165	Door Assy, SRVC Ref 695 Stainless Steel
NOTE: Refrig. Door Assy's incl. top hinge assy & dispenser assy; Do NOT incl. bot hinge, handle, bezel or grille.		
25	2230601	Door Trim, Top; Refrigerator
26	2230602	Door Trim, Bottom; Refrigerator
27	3420200	Gasket Retainer, 27.062"
28	4330600	Dairy Compartment Assembly
29	3211840	Dairy Compartment Gasket
30	4330470	Refrig. Door Shelf Assembly (Regular)
	4330520	Gallon Door Shelf Assy (Sales Acc.)
31	3212110	Door Gasket, Refrigerator
32	4330590	Upper Refrig. Door Shelf Assembly
33	4204291	PCKG, Dispenser Assy
34	3021480	Wiring Harness, Ground
35	3070390	Heater, Glasswell
36	4204294	PCKG, Glasswell Liner/Sump
37	6180330	Rivet, Plastic 1/4 DIA
38	3414250	Grille, Glasswell
39	6201630	Screw, #8-16 X 1 SS (SS Units)
	6201640	Screw, #8-16 X 1-1/2 SS (Frmd/Olay)
40	4204293	PCKG, Dispenser Bezel/S
41	4204292	PCKG, Dispenser Control Panel



695-2 DOOR VIEW (Prior to Serial #M2275455/P2269189)

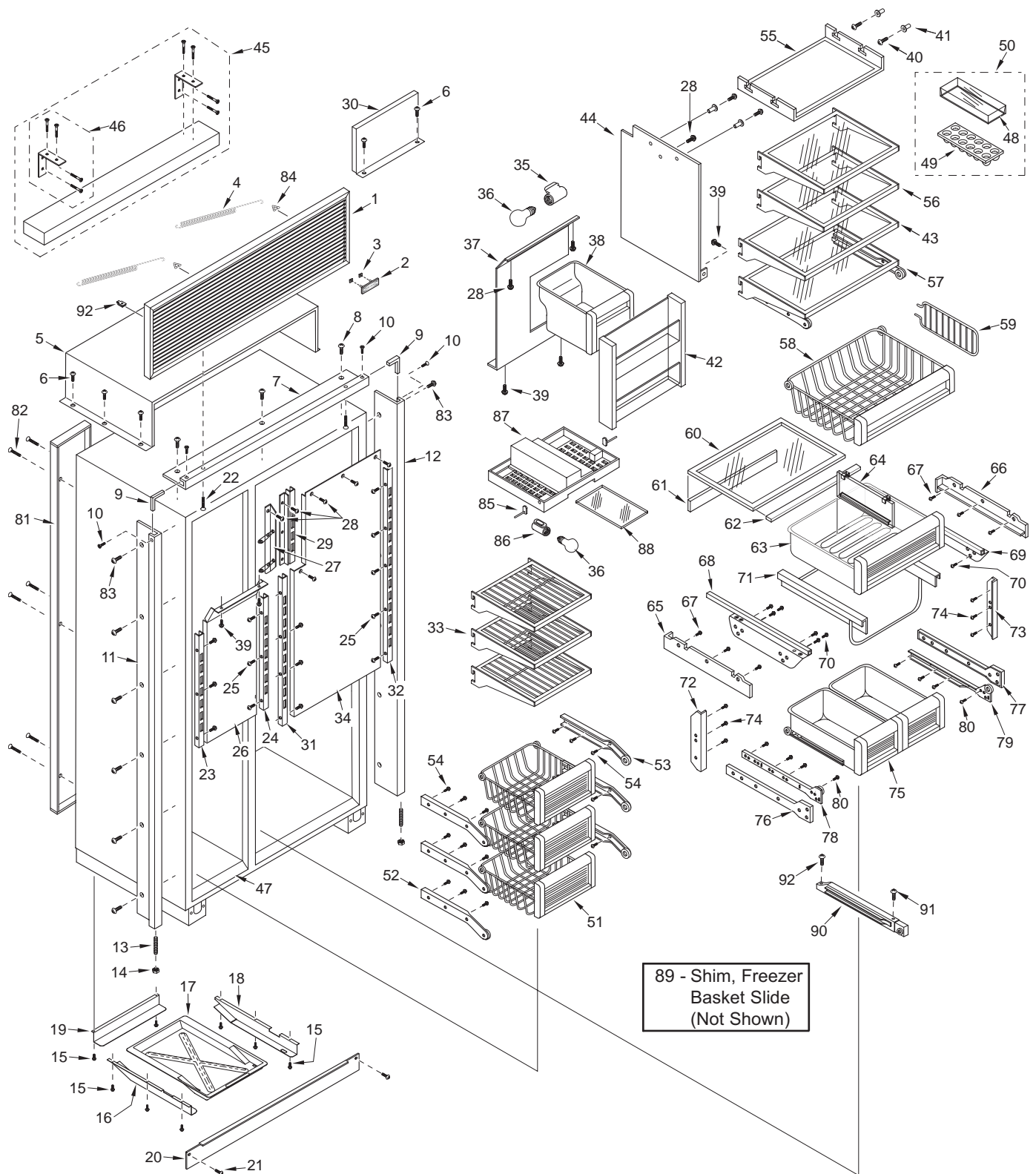


695-2 COSMETIC PARTS LIST (Prior to Serial #M2275455/P2269189)

Ref #	Part #	Description	Ref #	Part #	Description
1	6LG4811	Louvered Grille Assembly, 48" x 11"	45	4201330	Blocking Components; 48"
	6PG4811	Panel Grille Assembly, 48" x 11"	46	4201340	Blocking Hardware Package
	6SG4811/S	SS Grille, 48X11-CLSIC	47	4203910	Patch, Fre Face Frm Sill
2	3580230	Nameplate w/ Pegs	48	3412280	Egg Tray Cover
	3580210	Name Plate, Stick-on	49	3412270	Egg Tray
3	6150140	Spring Grip Nut, 1/8"	50	4131810	Egg Tray with Cover
4	3450900	Grille Spring	51	4181820	Freezer Basket Assy
5	4281080	Unit Shroud Assembly	52	4181842	Fre Bskt Slide Assy-LH
6	6200230	Screw, #8-18 x 1/2" Hex Head	53	4181841	Fre Bskt Slide Assy-RH
7	2234025	Frame, Main Top 48	54	6200450	Screw, #8 x 1" Type AR Flat
8	6200010	Screw, #10-12 x 3/4" Pan HD	55	4161580	Refrig. Light Diffuser Assembly
9	2210701	Main Frame Angle	56	3602050	Glass Shelf, Refrig Upper, Spill Proof
10	6200070	Screw, #4-24 x 3/8" Flat HD	57	4181560	Refrig. Roll-out Shelf Assy
11	4120870	Frame Assy, Main Left-LH	58	4181540	Refrig. Roll-out Basket Assy
12	4120860	Frame Assy, Main Rt-RH	59	3411160	Ref Roll-Out Bskt Divider
13	3550190	Bottom Hinge Stud	60	4151770	Crisper Glass Assembly (Incl Seals)
14	6150200	Nut, 1/4-20 Hex	61	3211770	Crisper Glass Seal, Rear
15	6200010	Screw, #10-12 x 3/4" Pan HD	62	3211740	Crisper Glass Seal, Front
16	0262010	Support, Drain Pan, LH	63	4181460	High Humidity Drawer Assembly
17	2120121	Pan, Drain Vac Form	64	3413100	Drawer Divider
18	0262000	Support, Drain Pan, RH	65	3421711	Top Crspr Glass Support, Narrow-RH
19	0262020	Support, Drain Pan, Rear	66	3421721	Top Crisper glass Support, Wide-RH
20	0260150	Kickplate, Black-Solid	67	6201130	Screw, #8x 1/2" PH FL HD SS
	0167810	Kickplate, Stainless Steel	68	4181421	Top Crisper Slide Assy, Narrow-RH
21	6200050	Screw, #10-12 Pan Hd	69	4181411	Top Crisper Slide Assembly, Wide-RH
	6200720	Screw, #8-18x1/2 Ph Tr Hd (SS Model)	70	6201270	Screw, #8-18 x 5/8" PH PN SS-Gnd
22	6201310	Screw, #8 x 1-3/4" Flat PH HD	71	3421760	Humidity Drawer Slide-Frame
23	3602230	Fre Shelf Ladder, Left	72	3421732	Crisper Filler Strip, Wide
24	3602220	Fre Shelf Ladder, Right	73	3421731	Crisper Filler Strip, Narrow
25	6200710	Screw, #8-18 x 3/8" Fillister HD	74	6201270	Screw, #8-18 x 5/8" PH PN SS-Gnd
26	0201180	Freezer Duct	75	4181490	Small Storage Drawer Assembly
27	4151400	Tank Cover Bracket Assembly	76	3421691	Bott Crisper Slide Support, Narrow
28	6201270	Screw, #8-18 x 5/8" PH PN SS-Gnd	77	3421692	Bott Crisper Slide Support, Wide
29	4151410	Refrig. Upper Left Shelf Ladder Assy	78	3413112	Bot Crisper Slide, Cabinet - Left
30	4280950	Compsr. Shroud Assy	79	3413111	Bot Crisper Slide, Cabinet - Right
31	3602060	Refrig. Shelf Ladder, Lower Left	80	6201230	Screw, #8 x 7/8" w/a #7 PH FT Head
32	3601811	Refrig. Shelf Ladder, Right	81	0261640	Duct, Back
33	3602200	Freezer Wire Shelf	82	6201060	Screw, #8x1-1/4" PH FLAT TAP
34	0201170	Refrigerator Evaporator Cover	83	6201550	Screw, #8-18 Lw Prfl
35	3050230	Socket, Light Med Base Sngl	84	3450520	Grille Hook
36	3030030	Light Bulb, 40 Watt	85	3550620	Snap Pin
37	4161590	Light Assy, Fre Evap Frnt	86	3050230	Socket, Light Med Base
38	4181180	Ice Bucket Assy	87	4151890	Cover Assy, Lwr Evap
39	6200140	Screw, #8-15 x 3/8" Truss HD	88	3500610	Freezer Lower Light Diffuser
40	6201330	Screw, #8-18 x 5/8" PH PN SS-Gnd	89	2121120	Shim, Fre Basket Slide
41	3520420	Insert / Diffuser Stand-off	90	4181430	Center Crisper Slide Assembly
42	4181880	Juice Can Rack Assy	91	6201120	Screw, #8-18 x 1.75 Truss SS
43	3601891	Glass Shelf, Spill Proof	92	6201130	Screw, #8x 1/2" PH FL HD SS
44	0212420	Cover, Water Tank			



695-2 COSMETIC VIEW (Prior to Serial #M2275455/P2269189)

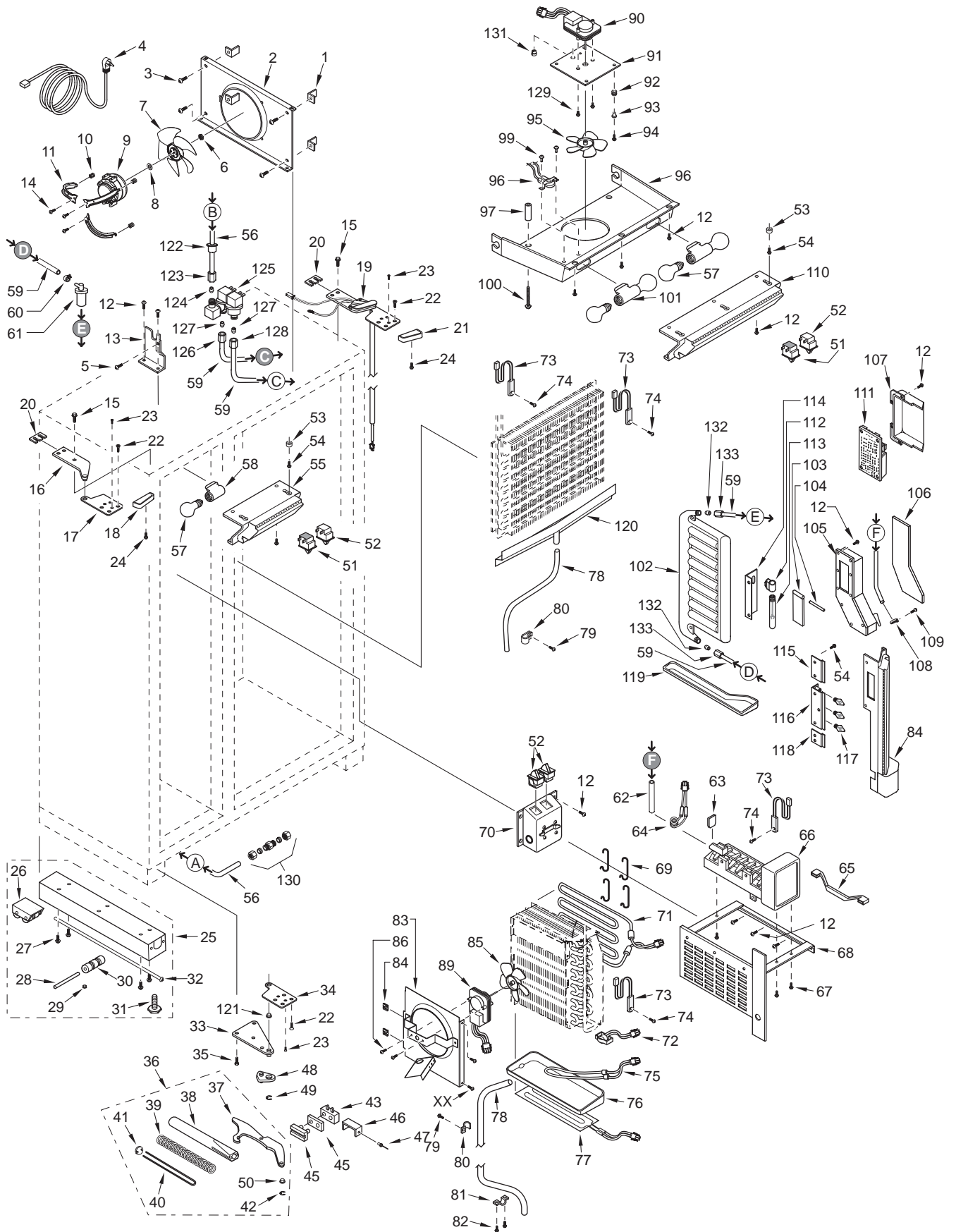


695-2 MECHANICAL PARTS LIST (Prior to Serial #M2275455/P2269189)

Ref #	Part #	Description	Ref #	Part #	Description
1	3450290	Angle Bracket	65	3140400	Icemaker Rudder Arm
2	0261210	Shroud, Cond Fan	66	4200522	Icemaker Assembly
3	6200010	Screw, #10-12 x 3/4" Pan HD	67	6201000	Screw #8-32X3/8 Thread Forming
4	3025560	Cord Assy, Power Supply	68	4203750	Kit, 690 Mainframe
5	6200060	Screw, #8-32 x 1/2" Pan HD	69	1801100	Heater Clip
6	6150410	Nut, 1/4-20	70	4220420	Auger Motor Assy (Incl motor & switches)
7	3150800	Blade, Condenser Forward-SW	71	3070100	Defrost Heater Assy
8	3210340	Neoprene Silencer, 7/8"	72	3082060	Defrost Terminator
9	4200740	Motor Pkg, Cond Fan (blade not incl.)	73	4204150	Thermistor, ASM Srvc Pkg
10	3220360	Grommet, Mtg Brkt	74	6201270	Screw, #8-18 x 5/8" PH PN SS-Gnd
11	0261150	Brkt, Cond Mounting (3)	75	3070170	Drain Tube Heater
12	6201270	Screw, #8-18 x 5/8" PH PN SS-Gnd	76	4190290	Fre Drain Trough Assy
13	0167830	Solenoid Bracket	77	3013710	Freezer Drain Trough Heater Assy
14	6200490	Screw, #8-32 x 3/8" Slotted Hex T25	78	1601400	Drain Tube, Wire - 1/2" x 72"
15	6110070	Bolt, 1/4-20x3/4 Spinlock Zinc	79	6200010	Screw, #10-12 x 3/4" Pan HD
16	4151272	Cabinet Hinge Assy, Upper LH	80	6120050	Tube Clamp, Plastic, 5/8"
17	4151472	Door Hinge Assy, Top LH	81	6120210	U-Clamp, 5/8"
18	3541018	Top Cabinet Hinge Cover, LH	82	6200010	Screw, #10-12 x 3/4" Pan HD
19	4325070	W/H,Ref Door Hinge	83	4281350	Shroud Assy, SRVC
20	0168680	Shim - Hinge	84	4161463	Vertical Cntrl Pnl Assy
21	3541017	Top Cabinet Hinge Cover, RH	85	3150060	Blade, Fan 5-Prop 5-1/2"
22	6110540	Bolt, #10-24 x 1/2" Flat Socket HD	86	6200060	Screw, #8-32 x 1/2" Pan HD
23	6200390	Screw, #6 x 3/8" T25 Flat Head PH	87	NA	
24	6200140	Screw, #8-15 x 3/8" Truss HD	88	NA	
25	4110353	Base Assy (w/rollers)	89	4200160	Freezer Fan Mtr Cmpnts (Blade not Incl.)
26	4110331	Base Rear Roller Assy	90	4200170	Refrig. Fan Mtr Cmpnts (Blade not Incl.)
27	6200010	Screw, #10-12 x 3/4" Pan HD	91	0211620	Refrig Fan Bracket
28	3550560	Straight Pin, Base Assy - .312" x 2.88"	92	3220250	Grommet, Rubber-M5351
29	3450620	Canoe Clip	93	3520410	Brass Insert, Fan
30	3421240	Cabinet Roller (Single)	94	6110270	Bolt, #10-32 x 1/4" RD HD
31	3570050	Leveling Leg, #18-3/8 x 1"	95	3150640	Fan blade, Ref/Fre Evap.
32	6110580	Adjusting Screw	96	4161570	Refrig. Fan Shroud Assy
33	4151281	Cabinet Hinge Assy, Lower RH	97	6220540	Screw Grommet / Stand-off
	4151282	Cabinet Hinge Assy, Lower LH	98	3082140	Light Terminator
34	4151241	Door Hinge, Bottom RH	99	6180010	Pop Rivet, 1/8"
	4151242	Door Hinge, Bottom LH	100	6201010	Screw, #8-15 x 2" Pan Head
35	6110070	Bolt, 1/4-20x3/4 Spinlock Zinc	101	3050250	Sckt, Light M Base Dbl
36	4201111	Door Closer Assy, RH	102	4181710	Water Resrvr Tank Assy (Incl water lines)
	4201112	Door Closer Assy, LH	103	3515940	Mullion Chute Door
37	NA	See 4201111, 1112, 1115 or 1116	104	3421360	Chute Door Rod
38	NA	See 4201111, 1112, 1115 or 1116	105	4181230	Ice Chute/Water Nozzle Assembly
39	3450530	Door Closer Spring	106	3411530	Ice Chute Cover
	3450710	Low-Pull Door Closer Spring	107	3413810	Control Enclosure
40	3421290	Door Closer Linkage	108	6120120	Tube Clamp, 3/8" Stl w/nut
41	0165980	Door Closer Spring Retainer	109	6200330	Screw, #8-18 x 3/8" Pan Head
42	3421260	Door Closer Bearing	110	4162941	Front Assy, Ref
43	3450570	Door Closer Cushion	111	4204280	Cntrl Board, Dual Dispense
44	0165970	Door Closer Guide Support	112	3050220	Socket, Light Base Sngl
45	3421310	Door Closer Guide	113	3030040	Light Bulb, Long/Narrow; 40 watt
46	0166360	Door Stop Cushion Retainer	114	0212790	Bracket, Display Light
47	6180010	Pop Rivet, 1/8"	115	0212270	Control Panel Retainer, Upper
48	DS90	Door Stop-90 Degree	116	0212280	Control Panel Retainer, Mid
	DS105	Door Stop-105 Degree	117	3030070	Light Bulb, 7W
49	3450560	E-Ring, 7/16"	118	0212290	Control Panel Retainer, Lower
50	3450550	E-Ring / Klipping , 5/16"	119	0212960	Mullion Trough
51	3060140	SPST Light Switch (White)	120	0260550	Drain Trough Assembly
52	3060130	SPST Fan/Icemaker Switch (White)	121	3421270	Hinge Bearing, 3/8" x 5/8"
53	6160240	Nylon Spacer	122	3024010	Heat Shrink/Spray Cvr (Also order 6120180)
54	6200720	Screw, #8-18 x 1/2 PH Truss HD	123	3520390	Compression Fitting
55	4162921	Front Assy, Fre	124	3520390	Compression Fitting
56	2604163	Water Inlet Line, Copper	125	3090280	Dual Water Valve
57	3030030	Light Bulb, 40 Watt	126	3520380	Compression Nut
58	3050230	Socket, Light Med Base Sngl	127	3520050	Brass Insert, Solenoid
59	2600617	Plastic Water Line	128	3520390	Compression Fitting
60	6220470	Fill Tube Clamp	129	6110270	Bolt, #10-32 x 1/4" RD HD
61	1607700	Water Inlet Tube	130	3520250	Water Inlet Fitting Assy
62	2605411	Water inlet Tube extension, 2.06"	131	3220300	Bushing, Strain Relief RT Angle
63	3140360	Fill Cup Plug	132	3520050	Brass Insert, Solenoid
64	3070210	Fill Tube Heater	133	3520340	Water Tank Compression Nut



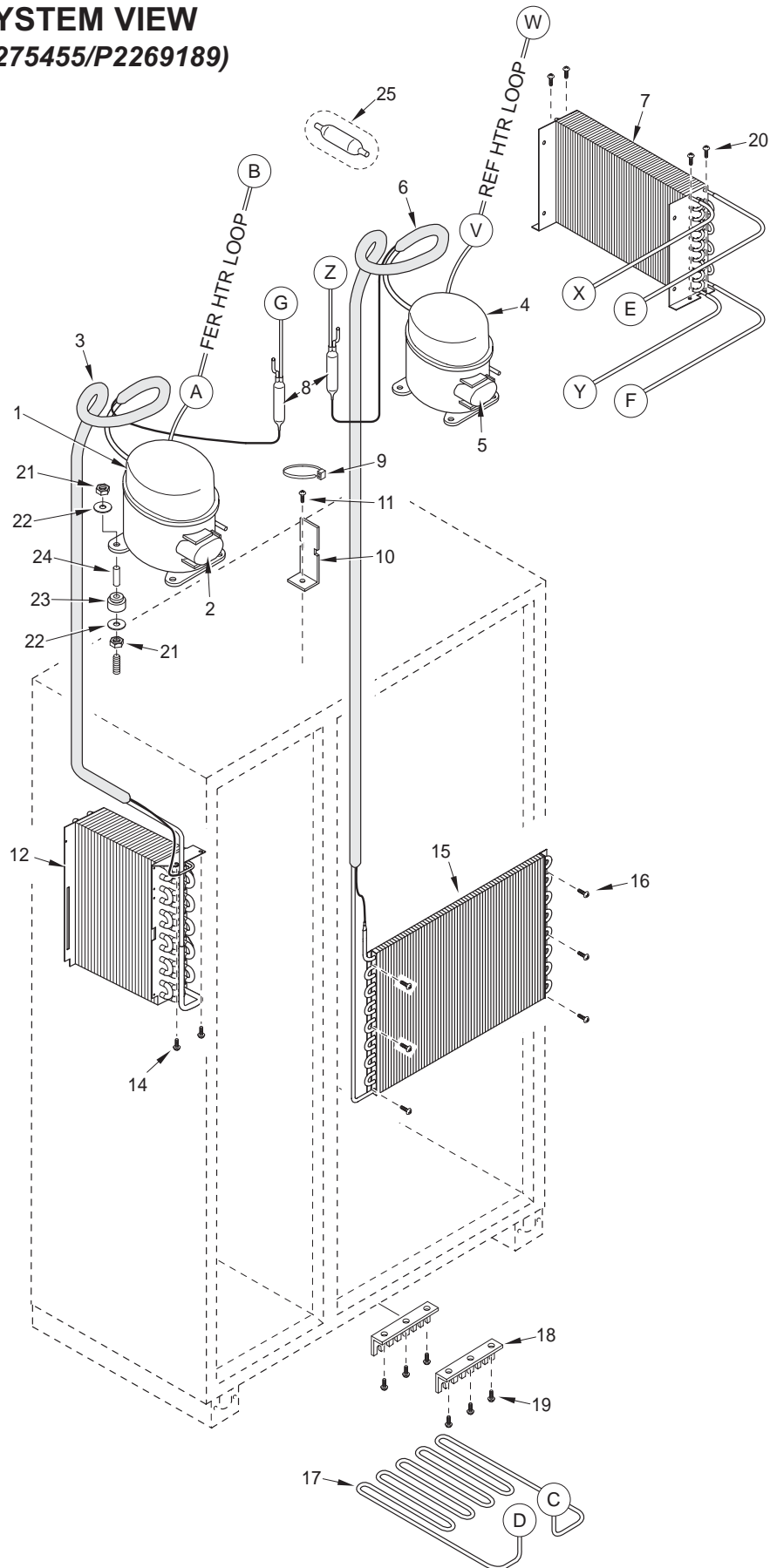
695-2 MECHANICAL VIEW (Prior to Serial #M2275455/P2269189)



695-2 SEALED SYSTEM PARTS LIST (Prior to Serial #M2275455/P2269189)

<u>Ref #</u>	<u>Part #</u>	<u>Description</u>
1	4202280	Compressor, Freezer (EMI60HER)
2	3111460	Relay, (1351408) (Used with EMI60HER Compressor)
	3111470	Overload, (4TM757NFB) (Used with EMI60HER Compressor)
3	4251530	Heat Exchanger, Freezer
4	4201880	Compressor, Refrig. (EMI30HER)
5	3111370	Relay, (1351400 - For EMI30HER Comp)
	3111410	Overload, (4TM734LFB - For EMI30HER Comp)
6	4251300	Heat Exchanger, Refrigerator
7	3120330	Condenser, Dual
8	3014230	Filter-Drier, High Side
9	6120170	Locking Cable Tie, Red, 11-1/2"
10	0168040	Drier Bracket
11	6201270	Screw, #8-18 x 5/8" PH PN SS-Gnd
12	4203880	Evap Assy, Fre (INCL: Heat Exchanger & Electricals)
13	NA	
14	6201270	Screw, #8-18 x 5/8" PH PN SS-Gnd
15	3130260	Evaporator, Refrig.
16	6201270	Screw, #8-18 x 5/8" PH PN SS-Gnd
17	2600138	Drain Pan Heater Loop
18	3421410	Drain Pan Heater Loop Support
19	6200010	Screw, #10-12 x 3/4" Pan HD
20	6200010	Screw, #10-12 x 3/4" Pan HD
21	6150220	Nut, 5/16-18 Hex Zinc
22	6240050	Flat Washer, 5/16"
23	3150010	Rubber Grommet, Small, 5/8"
	3150170	Rubber Grommet, Large, 15/16"
24	6160030	Spacer, 5/16 x 7/16 x 5/8"
	6160070	Sleeve, 5/16 x 7/16 x 7/8"
25	3014100	Suction Line Drier (Service Only)

695-2 SEALED SYSTEM VIEW
 (Prior to Serial #M2275455/P2269189)

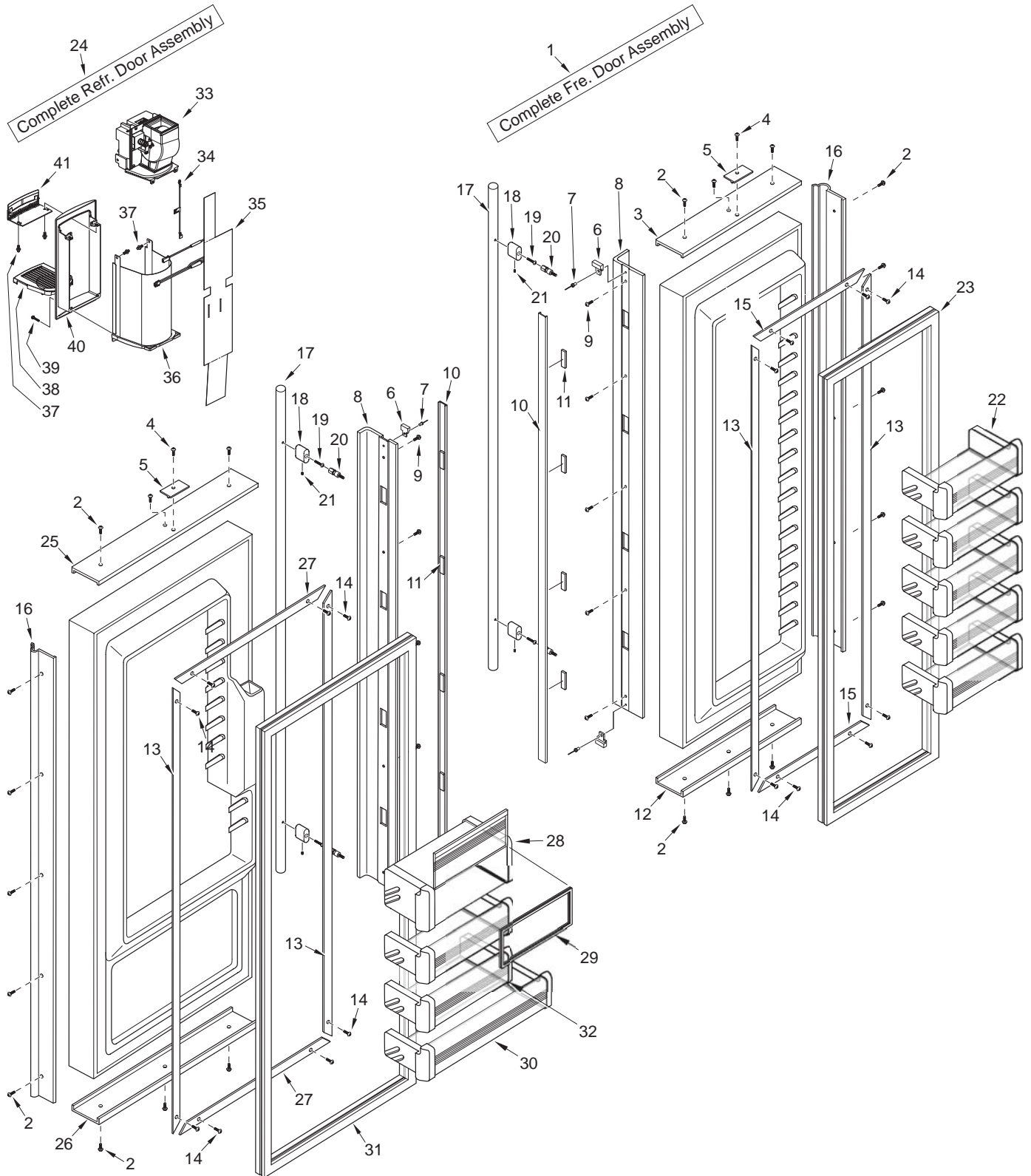


695-2 DOOR PARTS LIST (Starting with Serial #M2275455/P2269189)

<u>Ref #</u>	<u>Part #</u>	<u>Description</u>	<u>Ref #</u>	<u>Part #</u>	<u>Description</u>
1	4132905	Freezer Door Assy, Frame/Overlay	22	4330660	Fre Door Shelf Assy
	4134565	Door Assy, SRVC, Fre, SS	23	3212090	Door Gasket, Fre
NOTE:	Freezer door assy's do NOT incl. hinges or handle.		24	4135153	Door Assy, SRVC Ref 695 Frmd/Olay
2	6200720	Screw, #8-18 x 1/2 PH Truss HD		4135165	Door Assy, SRVC Ref 695 Stainless Steel
3	2230603	Door Trim, Top; Freezer	NOTE:	Refrig. Door Assy's incl. top hinge assy & dispenser assy; Do NOT incl. bot hinge, handle, bezel or grille.	
4	6200720	Screw, #8-18 x 1/2 PH Truss HD	25	2230601	Door Trim, Top; Refrigerator
5	4200940	Switch Depressor (Includes Screw)	26	2230602	Door Trim, Bottom; Refrigerator
6	3413340	Handle/Trim End Cap	27	3420200	Gasket Retainer, 27.062"
7	6180160	Rivet, Open End Blind, 1/8" X 3/16"	28	4330600	Dairy Compartment Assembly
8	4132220	Door Handle Assembly (Framed)	29	3211840	Dairy Compartment Gasket
	4132320	Handle-Side Door Trim (Overlay)	30	4330470	Refrig. Door Shelf Assembly (Regular)
9	6201300	Tapping Screw, #8 x 1/2"		4330520	Gallon Door Shelf Assy (Sales Acc.)
10	4131860	Handle/Trim Molding Assembly	31	3212110	Door Gasket, Refrigerator
11	3451140	Magnet, Trim Strip - 3"	32	4330590	Upper Refrig. Door Shelf Assembly
12	2230604	Door Trim, Bottom; Freezer	33	4204291	PCKG, Dispenser Assy
13	3420260	Gasket Retainer, 66.875"	34	3021480	Wiring Harness, Ground
14	6200410	Screw, #8 x 1/2" Slot Head Hex	35	3070390	Heater, Glasswell
15	3420140	Gasket Retainer, 16.125"	36	4204294	PCKG, Glasswell Liner/Sump
16	3511131	Door Trim, Hinge Side - Mitered Corner	37	6180330	Rivet, Plastic 1/4 DIA
	3511130	Door Trim, Hinge Side - (SS Model)	38	3414250	Grille, Glasswell
17	4133730	Handle Assy, SS OBR Standoffs	39	6201630	Screw, #8-16 X 1 SS (SS Units)
18	3512150	Standoff, SS Oval		6201640	Screw, #8-16 X 1-1/2 SS (Frmd/Olay)
19	6110720	Bolt #10-24X1/2 Socket HD Cap	40	4204293	PCKG, Dispenser Bezel/S
20	3511520	Handle Mounting Stud	41	4204292	PCKG, Dispenser Control Panel
21	6110730	Set Screw #10-32 X 1/4 SS Cone			



695-2 DOOR VIEW (Starting with Serial #M2275455/P2269189)

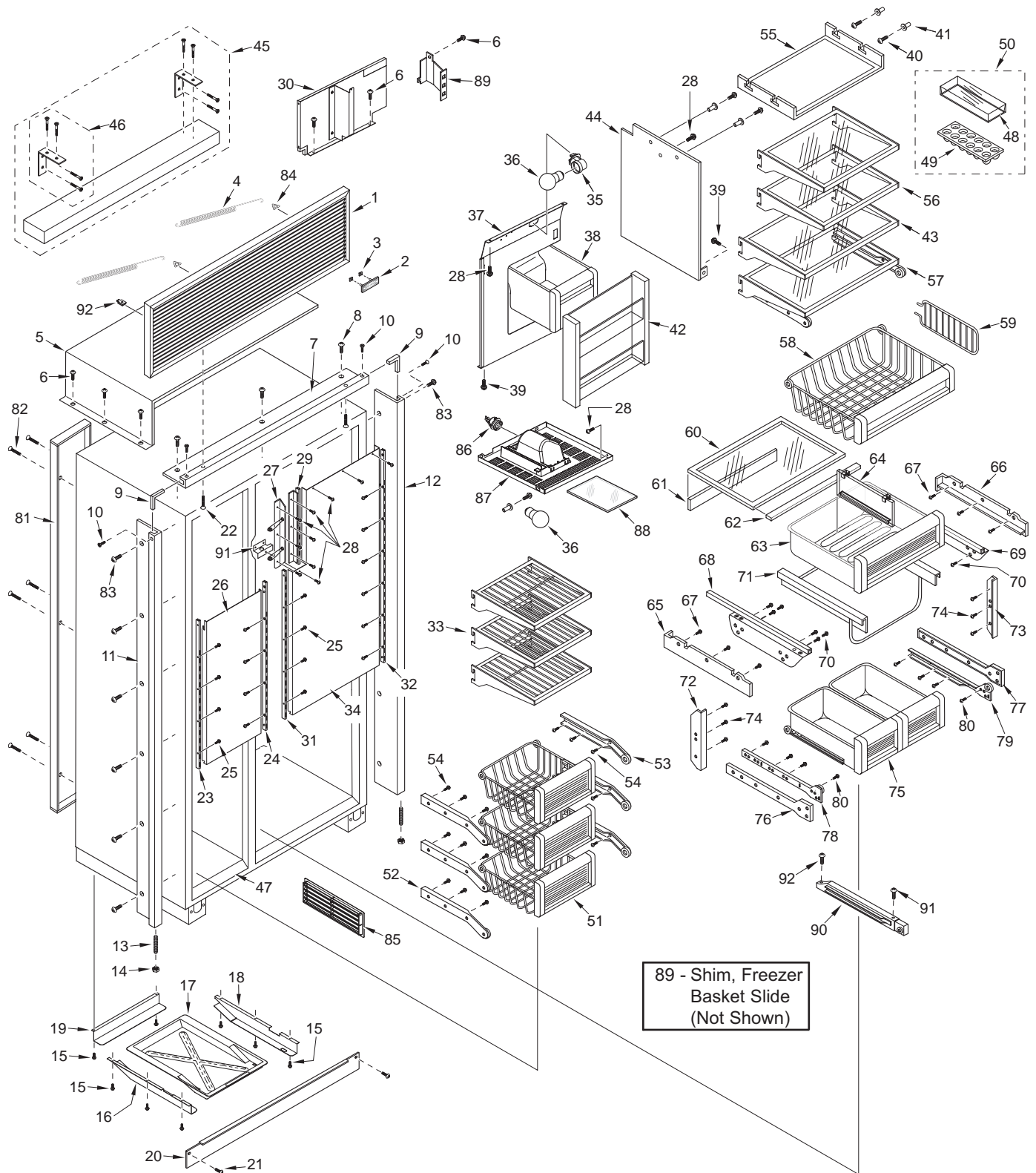


695-2 COSMETIC PARTS LIST (Starting with Serial #M2275455/P2269189)

Ref #	Part #	Description	Ref #	Part #	Description
1	6LG4811	Louvered Grille Assembly, 48" x 11"	44	0212420	Cover, Water Tank
	6PG4811	Panel Grille Assembly, 48" x 11"	45	4201330	Blocking Components; 48"
	6SG4811/S	SS Grille, 48X11-CLSIC	46	4201340	Blocking Hardware Package
2	3580270	Logo, Stainless 3 1/2", (Stick-on)	47	4203910	Patch, Fre Face Frm Sill
	3580280	Logo, Framed 3 1/2" (With Pegs)	48	3412280	Egg Tray Cover
3	6150140	Spring Grip Nut, 1/8"	49	3412270	Egg Tray
4	3450900	Grille Spring	50	4131810	Egg Tray with Cover
5	4281450	Unit Shroud Assembly	51	4181820	Freezer Basket Assy
6	6200230	Screw, #8-18 x 1/2" Hex Head	52	4181842	Fre Bskt Slide Assy-LH
7	2234025	Frame, Main Top 48	53	4181841	Fre Bskt Slide Assy-RH
8	6200010	Screw, #10-12 x 3/4" Pan HD	54	6200450	Screw, #8 x 1" Type AR Flat
9	2210701	Main Frame Angle	55	4161580	Refrig. Light Diffuser Assembly
10	6200070	Screw, #4-24 x 3/8" Flat HD	56	3602050	Glass Shelf, Refrig Upper, Spill Proof
11	4120870	Frame Assy, Main Left-LH	57	4181560	Refrig. Roll-out Shelf Assy
12	4120860	Frame Assy, Main Rt-RH	58	4181540	Refrig. Roll-out Basket Assy
13	3550190	Bottom Hinge Stud	59	3411160	Ref Roll-Out Bskt Divider
14	6150200	Nut, 1/4-20 Hex	60	4151770	Crisper Glass Assembly (Incl Seals)
15	6200010	Screw, #10-12 x 3/4" Pan HD	61	3211770	Crisper Glass Seal, Rear
16	0262010	Support, Drain Pan, LH	62	3211740	Crisper Glass Seal, Front
17	2120121	Pan, Drain Vac Form	63	4181460	High Humidity Drawer Assembly
18	0262000	Support, Drain Pan, RH	64	3413100	Drawer Divider
19	0262020	Support, Drain Pan, Rear	65	3421711	Top Crspr Glass Support, Narrow-RH
20	0260150	Kickplate, Black-Solid	66	3421721	Top Crisper glass Support, Wide-RH
	0167810	Kickplate, Stainless Steel	67	6201130	Screw, #8x 1/2" PH FL HD SS
21	6200050	Screw, #10-12 Pan Hd	68	4181421	Top Crisper Slide Assy, Narrow-RH
	6200720	Screw, #8-18x1/2 Ph Tr Hd (SS Model)	69	4181411	Top Crisper Slide Assembly, Wide-RH
22	6201310	Screw, #8 x 1-3/4" Flat PH HD	70	6201270	Screw, #8-18 x 5/8" PH PN SS-Gnd
23	3602350	Fre Shelf Ladder, Left	71	3421760	Humidity Drawer Slide-Frame
24	3602340	Fre Shelf Ladder, Right	72	3421732	Crisper Filler Strip, Wide
25	6200710	Screw, #8-18 x 3/8" Fillister HD	73	3421731	Crisper Filler Strip, Narrow
26	0201310	Cold Plate, Fre	74	6201270	Screw, #8-18 x 5/8" PH PN SS-Gnd
27	4151400	Tank Cover Bracket Assembly	75	4181490	Small Storage Drawer Assembly
28	6201270	Screw, #8-18 x 5/8" PH PN SS-Gnd	76	3421691	Bott Crisper Slide Support, Narrow
29	4151410	Refrig. Upper Left Shelf Ladder Assy	77	3421692	Bott Crisper Slide Support, Wide
30	4281680	Shroud Assy, Compressor	78	3413112	Bot Crisper Slide, Cabinet - Left
31	3602060	Refrig. Shelf Ladder, Lower Left	79	3413111	Bot Crisper Slide, Cabinet - Right
32	3601811	Refrig. Shelf Ladder, Right	80	6201230	Screw, #8 x 7/8" w/a #7 PH FT Head
33	3602200	Freezer Wire Shelf	81	0261640	Duct, Back
34	0201170	Refrigerator Evaporator Cover	82	6201060	Screw, #8x1-1/4" PH FLAT TAP
35	3050230	Socket, Light Med Base Sngl	83	6201550	Screw, #8-18 Lw Prfl
36	3030030	Light Bulb, 40 Watt	84	3450520	Grille Hook
37	4162670	Light Assy, Fre Evap Front	85	3414180	Grille, Fre Air Duct
38	4181180	Ice Bucket Assy	86	3050260	Socket, Light Med Base
39	6200140	Screw, #8-15 x 3/8" Truss HD	87	4162710	Assy, Fre Light
40	6201330	Screw, #8-18 x 5/8" PH PN SS-Gnd	88	3500720	Freezer Lower Light Diffuser
41	3520420	Insert / Diffuser Stand-off	89	2121120	Shim, Fre Basket Slide
42	4181880	Juice Can Rack Assy	90	4181430	Center Crisper Slide Assembly
43	3601891	Glass Shelf, Spill Proof	91	6201120	Screw, #8-18 x 1.75 Truss SS
			92	6201130	Screw, #8x 1/2" PH FL HD SS



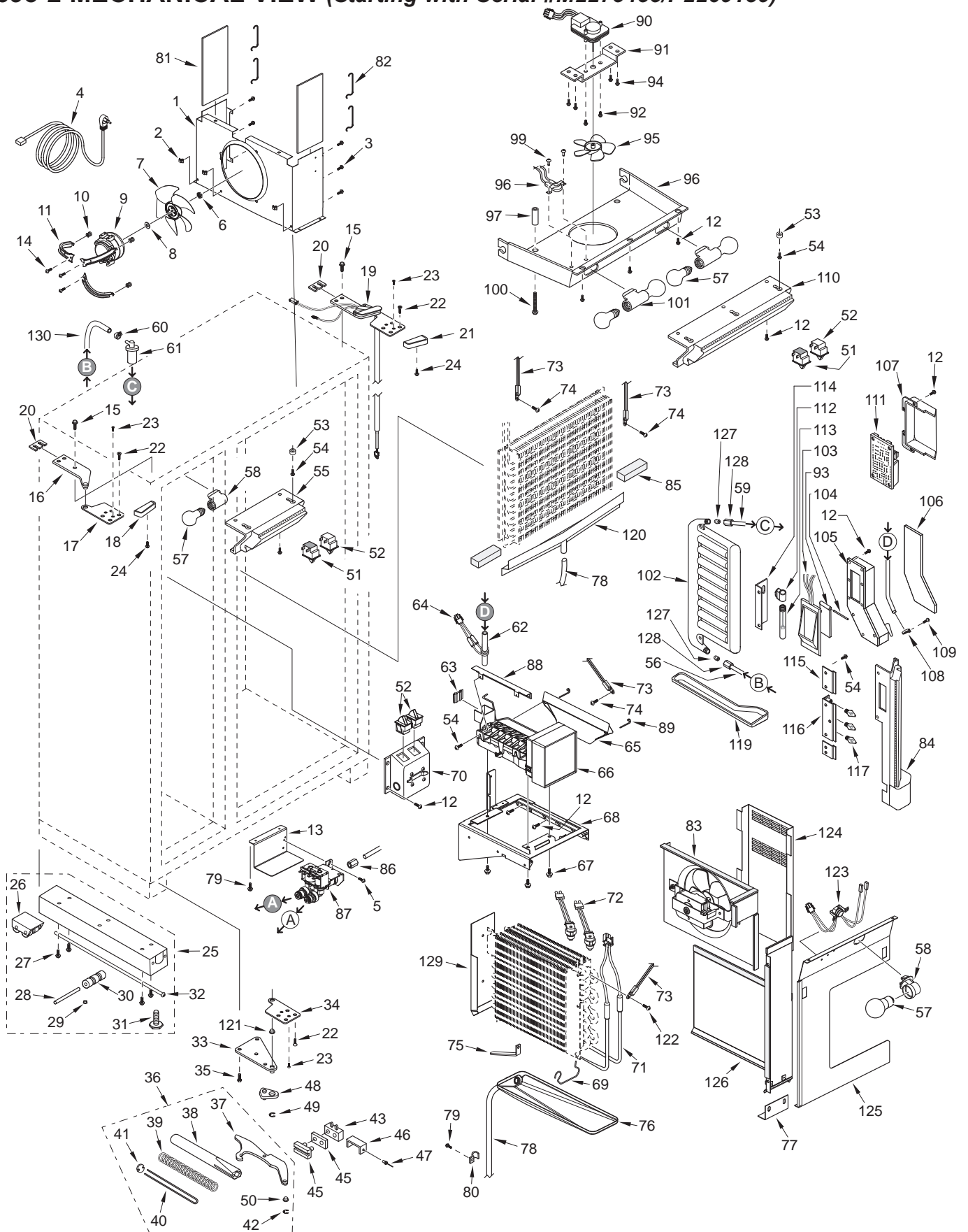
695-2 COSMETIC VIEW (Starting with Serial #M2275455/P2269189)



695-2 MECHANICAL PARTS LIST (Starting with Serial #M2275455/P2269189)

Ref #	Part #	Description	Ref #	Part #	Description
1	0262520	Shroud, Cond Fan	63	3140360	Fill Cup Plug
2	6120460	Push-in Wire Tie PWMS-H25-M	64	3070210	Fill Tube Heater
3	6201420	Screw	65	3140400	Icemaker Rudder Arm
4	3025560	Cord Assy, Power Supply	66	4200522	Icemaker Assembly
5	6200060	Screw, #8-32 x 1/2" Pan HD	67	6201000	Screw #8-32X3/8 Thread Forming
6	6150410	Nut, 1/4-20	68	4182031	SRVC Assy, Ice Bucket Main Frame
7	3150800	Blade, Condenser Forward-SW	69	3451030	Clip, Defrost Heater
8	3210340	Neoprene Silencer, 7/8"	70	4220420	Auger Motor Assy (Incl motor & switches)
9	4200740	Motor Pkg, Cond Fan (blade not incl.)	71	3070230	Heater, Defrost
10	3220360	Grommet, Mtg Brkt	72	3082060	Defrost Terminator
11	0261150	Brkt, Cond Mounting (3)	73	4204150	Thermistor, ASM Srvc Pkg
12	6201270	Screw, #8-18 x 5/8" PH PN SS-Gnd	74	6201270	Screw, #8-18 x 5/8" PH PN SS-Gnd
13	0262090	Bracket, Water Valve	75	0261810	Heat Conductor, Drain Tube
14	6200490	Screw, #8-32 x 3/8" Slotted Hex T25	76	3000050	Drain Trough, Fre Evap
15	6110070	Bolt, 1/4-20x3/4 Spinlock Zinc	77	0262050	Bracket, Drain Pan
16	4151272	Cabinet Hinge Assy, Upper LH	78	1601400	Drain Tube, Wire - 1/2" x 72"
17	4151472	Door Hinge Assy, Top LH	79	6200010	Screw, #10-12 x 3/4" Pan HD
18	3541018	Top Cabinet Hinge Cover, LH	80	6120050	Tube Clamp, Plastic, 5/8"
19	4325070	W/H,Ref Door Hinge	81	3212460	Gasket, Condenser
20	0168680	Shim - Hinge	82	1801100	Heater Clip
21	3541017	Top Cabinet Hinge Cover, RH	83	4220610	Assy, Fre Evap Fan Shroud
22	6110540	Bolt, #10-24 x 1/2" Flat Socket HD	84	4161463	Vertical Cntrl Pnl Assy
23	6200390	Screw, #6 x 3/8" T25 Flat Head PH	85	6231490	Tape, Foam XLPE
24	6200140	Screw, #8-15 x 3/8" Truss HD	86	3520250	Water Inlet Fitting Assy
25	4110353	Base Assy (w/rollers)	87	3090330	Valve, Water Dual Quick Connect
26	4110331	Base Rear Roller Assy	88	0262630	Bracket, Ice Deflector
27	6200010	Screw, #10-12 x 3/4" Pan HD	89	6120470	Wire Tie, Black
28	3550560	Straight Pin, Base Assy - .312" x 2.88"	90	4200170	Refrig. Fan Mtr Cmpnts (Blade not Incl.)
29	3450620	Canoe Clip	91	0211620	Refrig Fan Bracket
30	3421240	Cabinet Roller (Single)	92	6110270	Bolt, #10-32 x 1/4" RD HD
31	3570050	Leveling Leg, #18-3/8 x 1"	93	4203810	Mullion Chute HTR Rplcmnt
32	6110580	Adjusting Screw	94	6201270	Screw, #8-18 x 5/8" PH PN SS-Gnd
33	4151281	Cabinet Hinge Assy, Lower RH	95	3150640	Fan blade, Ref/Fre Evap.
	4151282	Cabinet Hinge Assy, Lower LH	96	4161570	Refrig. Fan Shroud Assy
34	4151241	Door Hinge, Bottom RH	97	6220540	Screw Grommet / Stand-off
	4151242	Door Hinge, Bottom LH	98	3082140	Light Terminator
35	6110070	Bolt, 1/4-20x3/4 Spinlock Zinc	99	6180010	Pop Rivet, 1/8"
36	4201111	Door Closer Assy, RH	100	6201010	Screw, #8-15 x 2" Pan Head
	4201112	Door Closer Assy, LH	101	3050250	Sckt, Light M Base Dbl
37	NA	See 4201111, 1112, 1115 or 1116	102	4181710	Water Resrvr Tank Assy (Incl water lines)
38	NA	See 4201111, 1112, 1115 or 1116	103	3515940	Mullion Chute Door
39	3450530	Door Closer Spring	104	3421360	Chute Door Rod
	3450710	Low-Pull Door Closer Spring	105	4181230	Ice Chute/Water Nozzle Assembly
40	3421290	Door Closer Linkage	106	3411530	Ice Chute Cover
41	0165980	Door Closer Spring Retainer	107	3413810	Control Enclosure
42	3421260	Door Closer Bearing	108	6120120	Tube Clamp, 3/8" Stl w/nut
43	3450570	Door Closer Cushion	109	6200330	Screw, #8-18 x 3/8" Pan Head
44	0165970	Door Closer Guide Support	110	4162941	Front Assy, Ref
45	3421310	Door Closer Guide	111	4204280	Cntrl Board, Dual Dispense
46	0166360	Door Stop Cushion Retainer	112	3050220	Socket, Light Base Sngl
47	6180010	Pop Rivet, 1/8"	113	3030040	Light Bulb, Long/Narrow; 40 watt
48	DS90	Door Stop-90 Degree	114	0212790	Bracket, Display Light
	DS105	Door Stop-105 Degree	115	0212270	Control Panel Retainer, Upper
49	3450560	E-Ring, 7/16"	116	0212280	Control Panel Retainer, Mid
50	3450550	E-Ring / Klipping , 5/16"	117	3030070	Light Bulb, 7W
51	3060140	SPST Light Switch (White)	118	0212290	Control Panel Retainer, Lower
52	3060130	SPST Fan/Icemaker Switch (White)	119	0212960	Mullion Trough
53	6160240	Nylon Spacer	120	0212600	Drain Trough Assembly
54	6200720	Screw, #8-18 x 1/2 PH Truss HD	121	3421270	Hinge Bearing, 3/8" x 5/8"
55	4162921	Front Assy, Fre	122	6200120	Screw, #10-12 x 1/2" Truss HD
56	3024220	Tube, Plastic Water -118-3/8"	123	3021590	Wire Hrns, Fre Upper Light
57	3030030	Light Bulb, 40 Watt	124	4152150	Cover Assy, Fre Fan
58	3050230	Socket, Light Med Base Sngl	125	4162670	Light Assy, Fre Evap Front
59	2600617	Plastic Water Line	126	4152090	Cover Assy, Fre Evap
60	6220470	Fill Tube Clamp	127	3520050	Brass Insert, Solenoid
61	1607700	Water Inlet Tube	128	3520340	Water Tank Compression Nut
62	2605411	Water inlet Tube extension, 2.06"	129	0235730	Bracket, Drain Deflector
			130	3024230	Tube, Plastic Water

695-2 MECHANICAL VIEW (Starting with Serial #M2275455/P2269189)

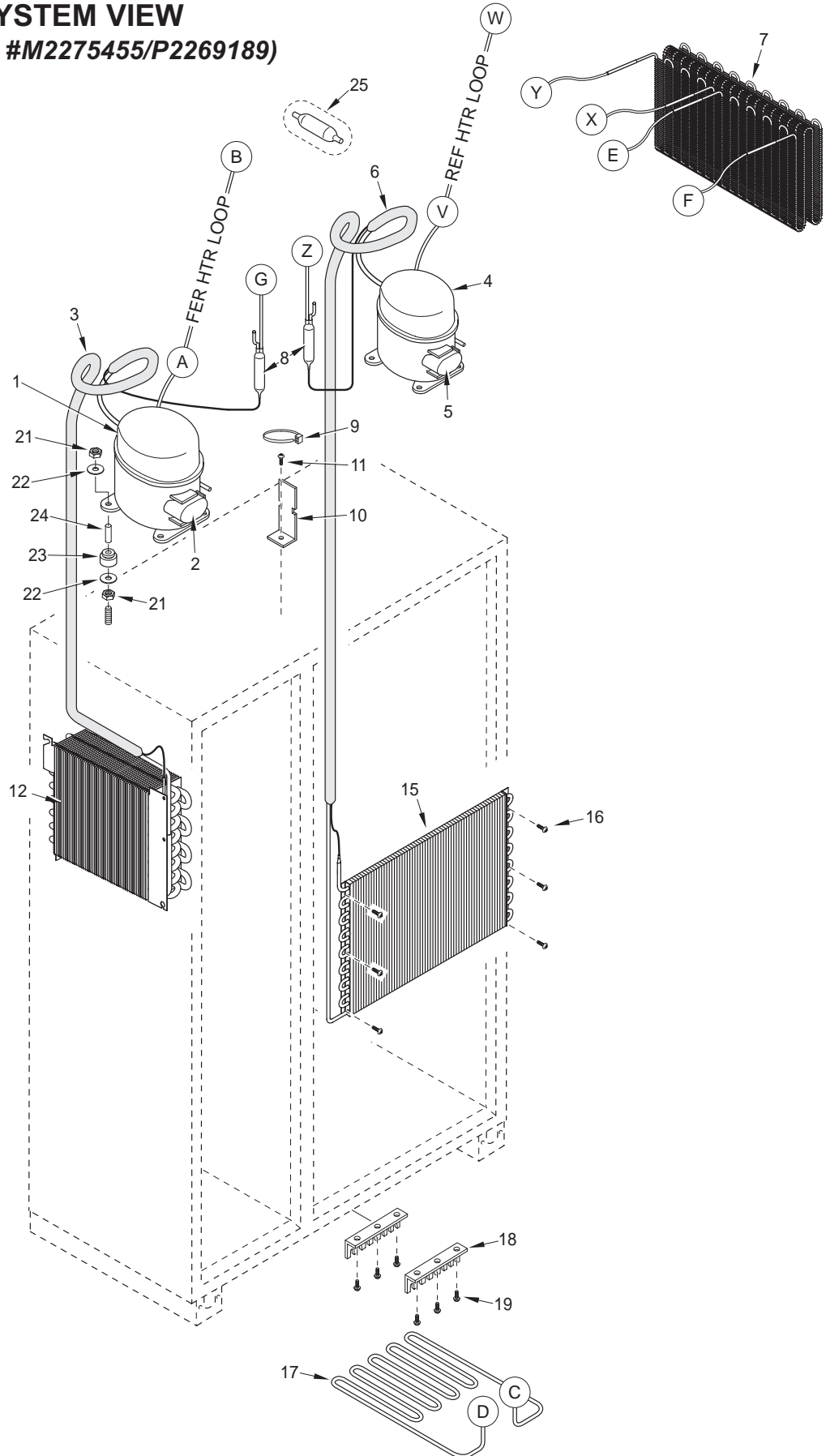


695-2 SEALED SYSTEM PARTS LIST (Starting with Serial #M2275455/P2269189)

<u>Ref #</u>	<u>Part #</u>	<u>Description</u>
1	4202280	SRVC Compressor, Freezer (EMI60HER)
2	3111460	Relay, (1351408) (Used with EMI60HER Comp)
	3111470	Overload, (4TM757NFB) (Used with EMI60HER Comp)
	3111070	Running Capacitor, (12Mf) - (Used with DG51C Comp)
	3112210	Electrical Assy, DC51C - (Used with DG51C Comp)
3	4251580	Heat Exchanger, Freezer
4	4201880	SRVC Compressor, Refrig. (EMI30HER)
5	3111370	Relay, (1351400) - (Used with EMI30HER Comp)
	3111410	Overload, (4TM734LFB) - (Used with EMI30HER Comp)
	3111070	Running Capacitor, (12Mf) - (Used with EMUSC30HSC Comp)
	3112211	Electrical Assy, EMU30HSC - (Used with EMUSC30HSC Comp)
	3112212	Electrical Assy, (Used with EMT30HSC Comp)
6	4251660	Heat Exchanger, Ref
7	3120510	Condenser, Wire on Tube
8	3014230	Filter-Drier, High Side
9	6120170	Locking Cable Tie, Red, 11-1/2"
10	0168040	Drier Bracket
11	6201270	Screw, #8-18 x 5/8" PH PN SS-Gnd
12	4211710	Evap Assy, Fre (INCL: Heat Exchanger & Electricals)
13	NA	
14	6201270	Screw, #8-18 x 5/8" PH PN SS-Gnd
15	3130800	Evaporator, Ref
16	6201270	Screw, #8-18 x 5/8" PH PN SS-Gnd
17	2600138	Drain Pan Heater Loop
18	3421410	Drain Pan Heater Loop Support
19	6200010	Screw, #10-12 x 3/4" Pan HD
20	NA	
21	6150220	Nut, 5/16-18 Hex Zinc
22	6240050	Flat Washer, 5/16"
23	3150010	Rubber Grommet, Small, 5/8"
	3150170	Rubber Grommet, Large, 15/16"
24	6160030	Spacer, 5/16 x 7/16 x 5/8"
	6160070	Sleeve, 5/16 x 7/16 x 7/8"
25	3014100	Suction Line Drier (Service Only)

695-2 SEALED SYSTEM VIEW

(Starting with Serial #M2275455/P2269189)



ICEMAKER PARTS LIST

<u>Ref #</u>	<u>Part #</u>	<u>Description</u>
1	4200521	Icemaker Assy Complete- (Models 601F-2, 632-2, 642-2, 661-2)
	4200522	Icemaker Assy Complete- (Models 611-2, 611G-2, 650-2, 650G-2, 685-2, 695-2)
2	75107431	Ice Ejector
3	75142606	Bearing/Inlet - (Models 601F-2, 632-2, 642-2, 661-2)
	75107414	Bearing/Inlet - (Models 611-2, 611G-2, 650-2, 650G-2, 685-2, 695-2)
4	75107417	Mold Body Assy. (Includes Mold Heater)
5	75107448	Screw
6	75142604	Ice Level Arm, Short - (Models 601F-2, 632-2, 642-2, 661-2)
	75142605	Ice Level Arm, Long - (Models 611-2, 611G-2, 650-2, 650G-2, 685-2, 695-2)
	3140330	Ice Level Arm / Rudder <i>(Not Shown)</i> - (Models 611-2, 611G-2, 650-2, 650G-2)
	3140400	Ice Level Arm / Rudder <i>(Not Shown)</i> - (Models 685-2, 695-2)
7	75107426	Bracket, Mounting
8	75129507	Ice Stripper
9	75107424	Harness, Wire
10	75107460	Screw
11	75107404	Drive Motor
12	75107446	Screw
13	75140588	Screw
14	75107405	Thermal Cut-out
15	75107442	Screw
16	75107408	Clamp
17	75107438	Plate, Mounting
18	75107452	Spacer
19	75107401	Switch
20	75107451	Screw
21	75056861	Thermostat
22	75107436	Cam
23	75107416	Support
24	75107419	Gear, Timing
25	75107443	Spring, Fill Adjust
26	75140586	Screw
27	75107459	Screw
28	75107453	Screw
29	75140589	Screw
30	75107457	Plate, Valve Switch
31	75107456	Insulator, Valve Switch
32	75107455	Screw
33	75107449	Screw
34	75107430	Lever Arm
35	75140584	Spring, Shut-off
	480855	Spring Kit
36	75142601	Cover
37	3140360	Fill Cup Plug

ICEMAKER PARTS VIEW

