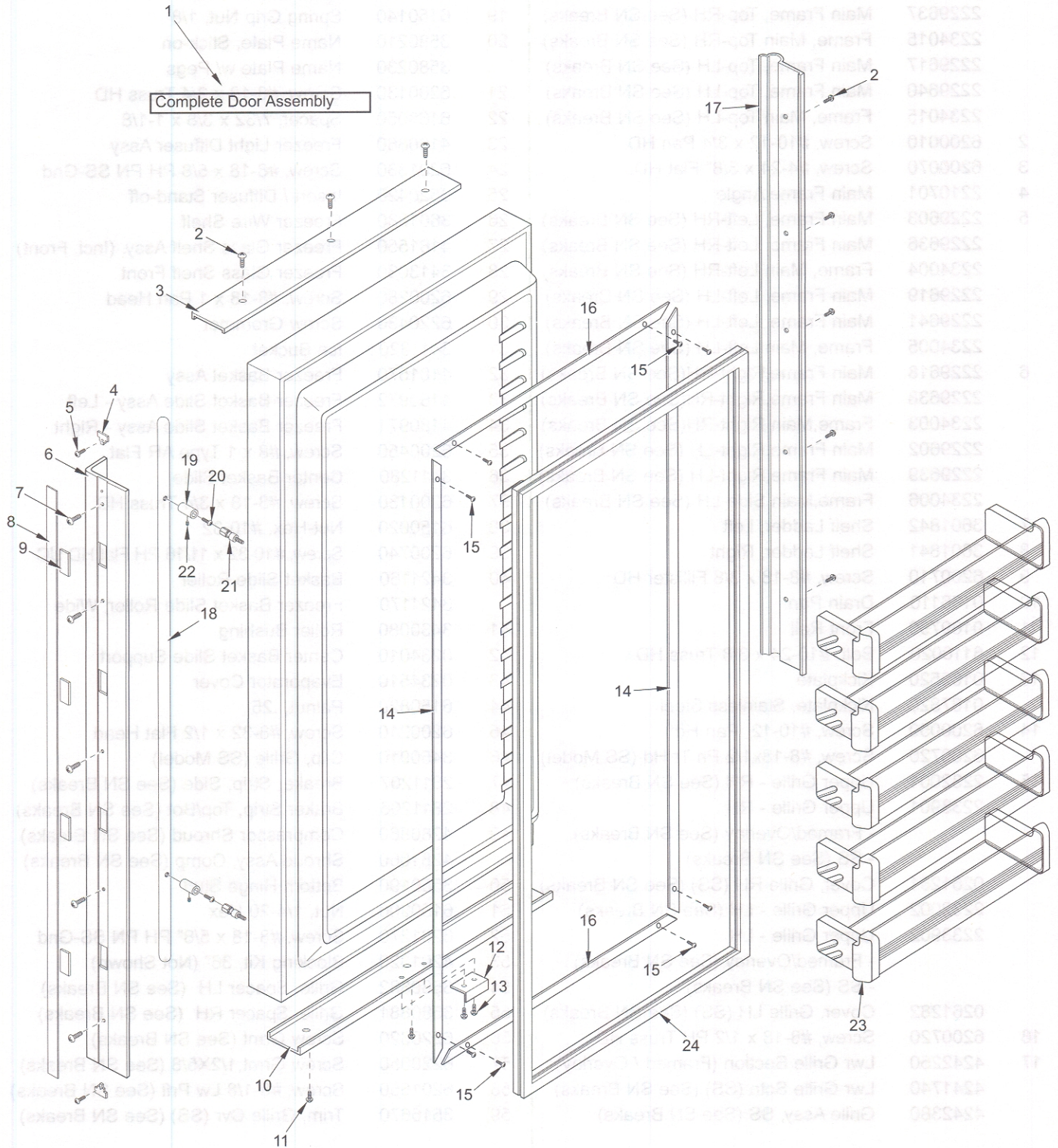




601F DOOR PARTS LIST

Ref #	Part #	Description
1	4132943	Freezer Door Assy, Frame/Overlay - RH
	4132944	Freezer Door Assy, Frame/Overlay - LH
	4134523	Freezer Door Assy, SS - RH
	4134524	Freezer Door Assy, SS - LH
2	6200720	Screw, #8-18 x 1/2 Ph Truss Hd
3	2230608	Door Trim, Top LH
	2230609	Door Trim, Top RH
4	3413340	Handle/Trim End Cap
5	6180160	Rivet, Open End Blind, 1/8 X 3/16
6	4132230	Door Handle Assy (Framed)
	4132330	Handle-Side Door Trim (Overlay)
7	6201300	Tapping Screw, #8 x 1/2
8	4132370	Handle/Trim Molding Assy
9	3451000	Magnet, Trim Strip - 3"
10	2230606	Door Trim, Top RH or Bottom LH
	2230607	Door Trim, Top LH or Bottom RH
11	6200720	Screw, #8-18 x 1/2 Ph Truss Hd
12	0180281	Switch Depressor, White
13	6201300	Tapping Screw, #8 x 1/2
14	3420250	Gasket Retainer, Side, 57.875
15	6200410	Screw, #8 x 1/2 Slot Head Hex
16	3420220	Gasket Retainer, 33.312
17	3511310	Door Trim, Hinge Side - Mitered Corner
	3511410	Door Trim, Hinge Side - (SS Model)
18	4132410	Handle Assy, Round (Incl. Stand-offs) (See SN Breaks)
	4133510	Handle Assy, Blunt (Incl. Stand-offs) (See SN Breaks)
	4133690	Handle Assy, SS OBR Standoffs (Incl. Stand-offs) (See SN Breaks)
19	3511320	Handle Stand-off 1" D (See SN Breaks)
	3512150	Standoff, SS Oval, Door (See SN Breaks)
20	6110540	Bolt, #10-24 x 1/2 Flat Socket HD
21	3511520	Handle Mounting Stud
22	6110730	Set Screw #10-32 x 1/4 SS Cone
23	4330480	Door Shelf Assy
24	3212100	Door Gasket

601F DOOR VIEW



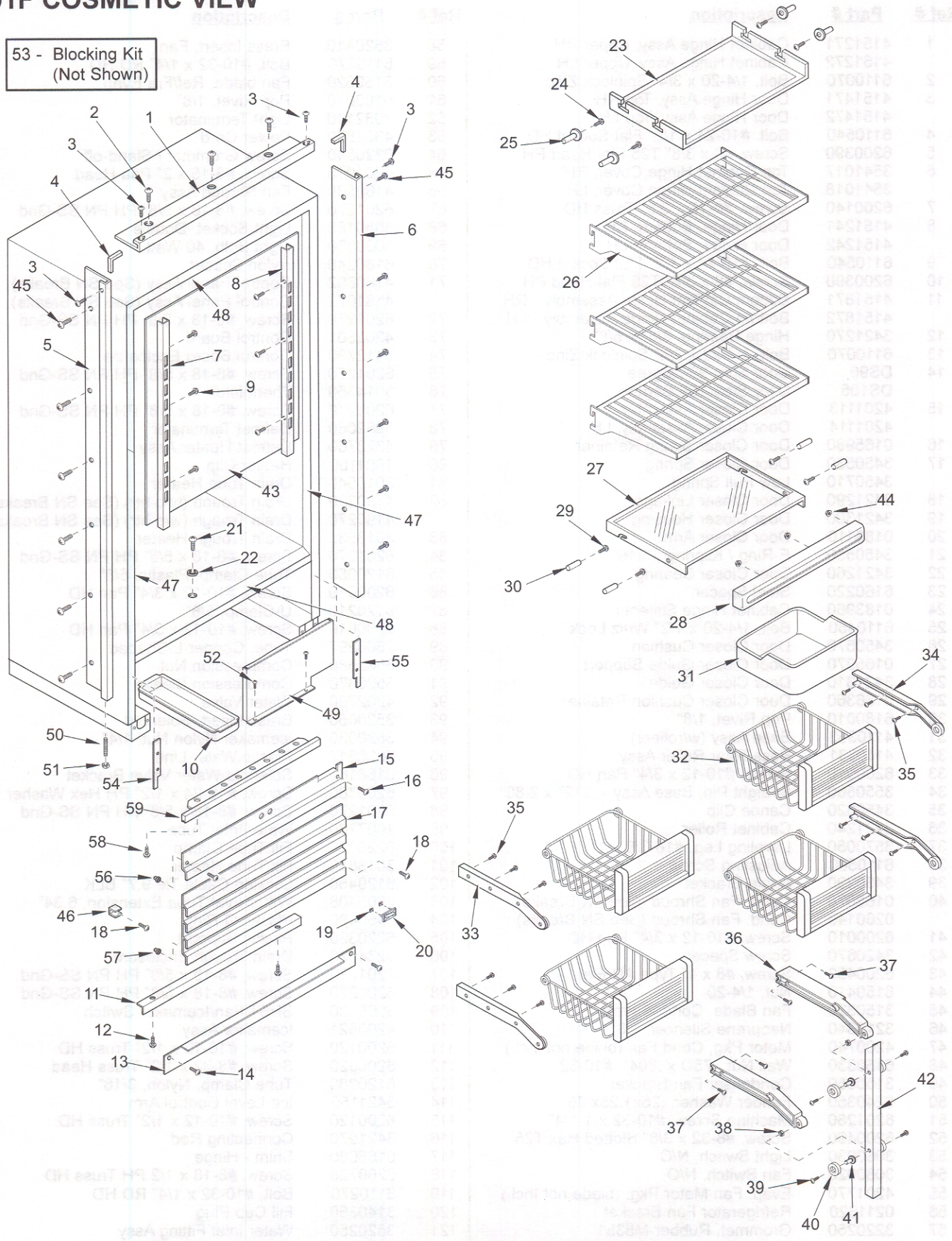


601F COSMETIC PARTS LIST

Ref #	Part #	Description	Ref #	Part #	Description
1	2229616	Main Frame, Top-RH (See SN Breaks)	18	6200790	Screw, #8-18 Black
	2229637	Main Frame, Top-RH (See SN Breaks)	19	6150140	Spring Grip Nut, 1/8
	2234015	Frame, Main Top-RH (See SN Breaks)	20	3580210	Name Plate, Stick-on
	2229617	Main Frame, Top-LH (See SN Breaks)		3580230	Name Plate w/ Pegs
	2229640	Main Frame, Top-LH (See SN Breaks)	21	6200130	Screw, #8-18 x 3/4 Truss HD
	2234015	Frame, Main Top-LH (See SN Breaks)	22	6160050	Spacer, 7/32 x 3/8 x 1-1/8
2	6200010	Screw, #10-12 x 3/4 Pan HD	23	4160860	Freezer Light Diffuser Assy
3	6200070	Screw, #4-24 x 3/8" Flat HD.	24	6201330	Screw, #8-18 x 5/8 PH PN SS-Gnd
4	2210701	Main Frame Angle	25	3520420	Insert / Diffuser Stand-off
5	2229603	Main Frame, Left-RH (See SN Breaks)	26	3601880	Freezer Wire Shelf
	2229636	Main Frame, Left-RH (See SN Breaks)	27	4181550	Freezer Glass Shelf Assy. (Incl. Front)
	2234004	Frame, Main Left-RH (See SN Breaks)	28	3413030	Freezer Glass Shelf Front
	2229619	Main Frame, Left-LH (See SN Breaks)	29	6200280	Screw, #8-18 x 1 Pan Head
	2229641	Main Frame, Left-LH (See SN Breaks)	30	6220430	Screw Grommet
	2234005	Frame, Main Left-LH (See SN Breaks)	31	3411320	Ice Bucket
6	2229618	Main Frame, Right-RH (See SN Breaks)	32	4181570	Freezer Basket Assy
	2229638	Main Frame, Right-RH (See SN Breaks)	33	4180972	Freezer Basket Slide Assy - Left
	2234003	Frame, Main Right-RH (See SN Breaks)	34	4180971	Freezer Basket Slide Assy - Right
	2229602	Main Frame, Right-LH (See SN Breaks)	35	6200450	Screw, #8 x 1 Type AR Flat
	2229639	Main Frame, Right-LH (See SN Breaks)	36	3411280	Center Basket Slide
	2234006	Frame, Main Side-LH (See SN Breaks)	37	6200130	Screw, #8-18 x 3/4 Truss HD
7	3601842	Shelf Ladder, Left	38	6150020	Nut-Hex, #10-32
8	3601841	Shelf Ladder, Right	39	6200740	Screw, #10-32 x 11/16 PH Flat HD UC
9	6200710	Screw, #8-18 x 3/8 Fillister HD	40	3421160	Basket Slide Roller
10	0166110	Drain Pan		3421170	Freezer Basket Slide Roller, Wide
11	0169790	Front Rail	41	3430080	Roller Bushing
12	6110020	Bolt, #10-24 x 3/8 Truss HD	42	0234010	Center Basket Slide Support
13	0169520	Kickplate	43	0234510	Evaporator Cover
	0167820	Kickplate, Stainless Steel	44	6150820	Palnut, .25
14	6200050	Screw, #10-12 Pan Hd	45	6200210	Screw, #8-32 x 1/2 Flat Head
	6200720	Screw, #8-18x1/2 Ph Tr Hd (SS Model)	46	3450910	Clip, Grille (SS Model)
15	2232001	Upper Grille - RH (See SN Breaks)	47	2811207	Breaker Strip, Side (See SN Breaks)
	2233901	Upper Grille - RH	48	2811206	Breaker Strip, Top/Bot (See SN Breaks)
		- Framed/Overlay (See SN Breaks)	49	4280860	Compressor Shroud (See SN Breaks)
		- SS (See SN Breaks)		4281060	Shroud Assy, Comp (See SN Breaks)
	0261281	Cover, Grille RH (SS) (See SN Breaks)	50	3550190	Bottom Hinge Stud
	2232002	Upper Grille - LH (See SN Breaks)	51	6150200	Nut, 1/4-20 Hex
	2233902	Upper Grille - LH	52	6201270	Screw, #8-18 x 5/8" PH PN SS-Gnd
		- Framed/Overlay (See SN Breaks)	53	4201320	Blocking Kit, 36" (Not Shown)
		- SS (See SN Breaks)	54	3580882	Grille, Spacer LH (See SN Breaks)
	0261282	Cover, Grille LH (SS) (See SN Breaks)	55	3580881	Grille, Spacer RH (See SN Breaks)
16	6200720	Screw, #8-18 x 1/2 PH Truss HD	56	6220320	Screw Grmt (See SN Breaks)
17	4242250	Lwr Grille Section (Framed / Overlay)	57	6220050	Screw Grmt, 1/2X5/8 (See SN Breaks)
	4241740	Lwr Grille Sctn (SS) (See SN Breaks)	58	6201550	Screw, #8-1/8 Lw Prfl (See SN Breaks)
	4242380	Grille Assy, SS (See SN Breaks)	59	3516670	Trim, Grille Cvr (SS) (See SN Breaks)

601F COSMETIC VIEW

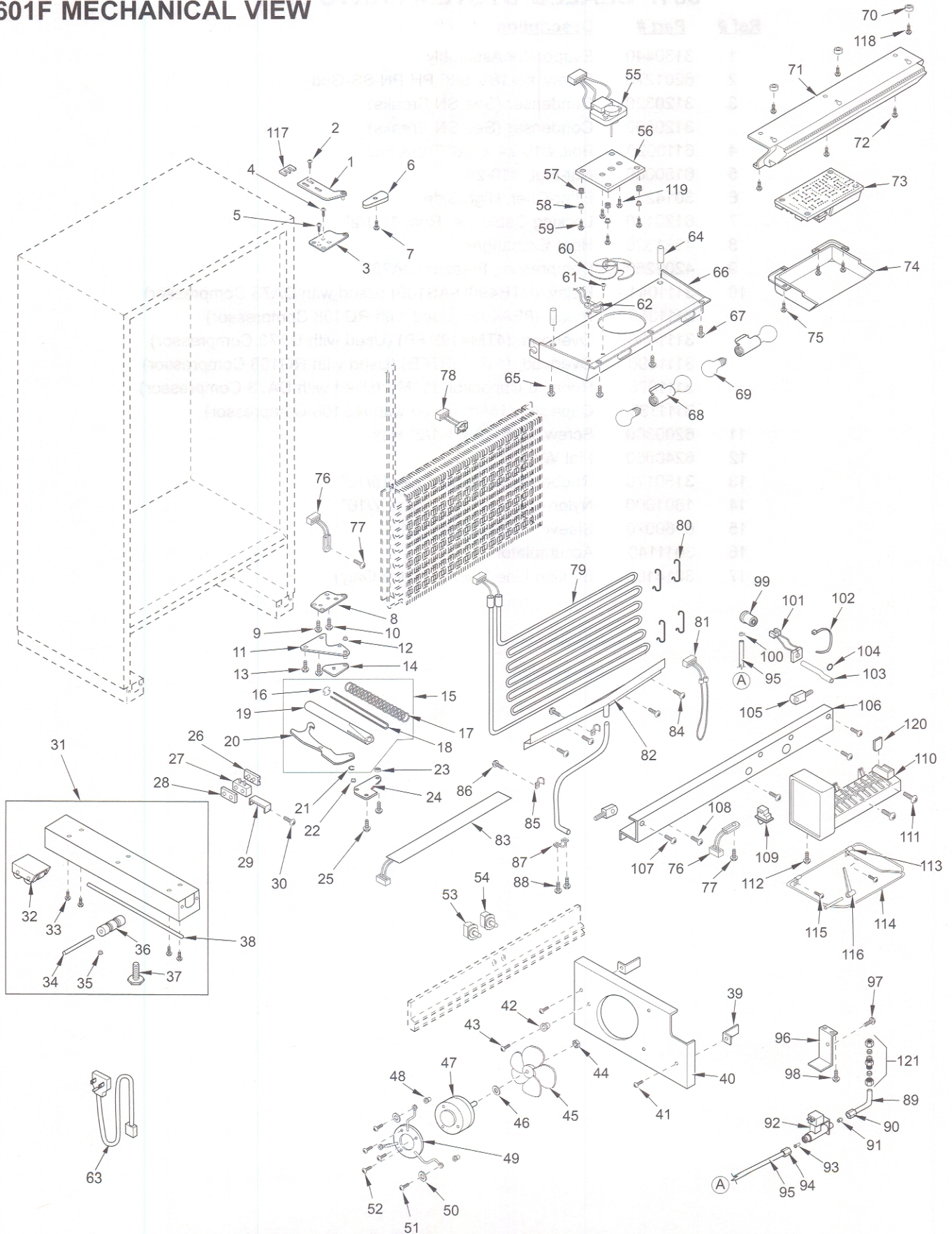
53 - Blocking Kit
(Not Shown)



601F MECHANICAL PARTS LIST

Ref #	Part #	Description	Ref #	Part #	Description
1	4151271	Cabinet Hinge Assy, Upper RH	58	3520410	Brass Insert, Fan
	4151272	Cabinet Hinge Assy, Upper LH	59	6110270	Bolt, #10-32 x 1/4" RD HD
2	6110070	Bolt, 1/4-20 x 3/4" Spinlock Zinc	60	3150520	Fan blade, Ref/Fre Evap.
3	4151471	Door Hinge Assy, Top RH	61	6180010	Pop Rivet, 1/8"
	4151472	Door Hinge Assy, Top LH	62	3082140	Light Terminator
4	6110540	Bolt, #10-24 x 1/2" Flat Socket HD	63	4321820	Power Cord
5	6200390	Screw, #6 x 3/8" T25 Flat Head PH	64	6220540	Screw Grommet / Stand-off
6	3541017	Top Cabinet Hinge Cover, RH	65	6201010	Screw, #8-15 x 2" Pan Head
	3541018	Top Cabinet Hinge Cover, LH	66	4160880	Fan Shroud Assy
7	6200140	Screw, #8-15 x 3/8" Truss HD	67	6201270	Screw, #8-18 x 5/8" PH PN SS-Gnd
8	4151241	Door Hinge, Bottom RH	68	3050180	Light Socket, Double
	4151242	Door Hinge, Bottom LH	69	3030030	Light Bulb, 40 Watt
9	6110540	Bolt, #10-24 x 1/2" Flat Socket HD	70	6160240	Nylon Spacer
10	6200390	Screw, #6 x 3/8" T25 Flat Head PH	71	4160802	Control Panel Assy (See SN Breaks)
11	4151871	Bottom Cabinet Hinge Assembly - RH		4161672	Control Panel Assy (See SN Breaks)
	4151872	Bottom Cabinet Hinge Assembly - LH	72	6201270	Screw, #8-18 x 5/8" PH PN SS-Gnd
12	3421270	Hinge Bearing, 3/8" x 5/8"	73	4202801	Control Board
13	6110070	Bolt, 1/4-20 x 3/4" Spinlock Zinc	74	3412790	Control Board Enclosure
14	DS90	Door Stop-90 Degree	75	6201270	Screw, #8-18 x 5/8" PH PN SS-Gnd
	DS105	Door Stop-105 Degree	76	3014350	Thermistor
15	4201113	Door Closer Assembly, RH	77	6201270	Screw, #8-18 x 5/8" PH PN SS-Gnd
	4201114	Door Closer Assembly, LH	78	3082060	Defrost Terminator
16	0165980	Door Closer Spring Retainer	79	4323760	Defrost Heater Assy
17	3450530	Door Closer Spring	80	1801100	Heater Clip
	3450710	Low Pull Spring	81	3013540	Drain Tube Heater
18	3421290	Door Closer Linkage	82	4190220	Drain Trough (w/o htr) (See SN Breaks)
19	3421300	Door Closer Housing		4190270	Drain Trough (w/o htr) (See SN Breaks)
20	0183110	Door Closer Arm	83	3013530	Drain Trough Heater
21	3450550	E-Ring / Klipping , 5/16"	84	6201270	Screw, #8-18 x 5/8" PH PN SS-Gnd
22	3421260	Door Closer Bearing	85	6120050	Tube Clamp, Plastic, 5/8"
23	6160220	Steel Spacer	86	6200010	Screw, #10-12 x 3/4" Pan HD
24	0183960	Cabinet Hinge Stiffener	87	6120210	U-Clamp, 5/8"
25	6110450	Bolt, 1/4-20 x 1/2" Whiz Lock	88	6200010	Screw, #10-12 x 3/4" Pan HD
26	3450570	Door Closer Cushion	89	2600297	Tube, Copper L-Shaped
27	0165970	Door Closer Guide Support	90	3520380	Compression Nut
28	3421310	Door Closer Guide	91	3520370	Compression Sleeve
29	0166360	Door Closer Cushion Retainer	92	4202790	Water Valve
30	6180010	Pop Rivet, 1/8"	93	3520050	Brass Insert, Solenoid
31	4110353	Base Assy (w/rollers)	94	3520030	Icemaker Nylon Nut, 1/4"
32	4110331	Base Rear Roller Assy	95	2600617	Plastic Water Line
33	6200010	Screw, #10-12 x 3/4" Pan HD	96	0168160	Solenoid Water Valve Bracket
34	3550560	Straight Pin, Base Assy - .312" x 2.88"	97	6200780	Screw, #10-24 x 1/2" PH Hex Washer
35	3450620	Canoe Clip	98	6201270	Screw, #8-18 x 5/8" PH PN SS-Gnd
36	3421240	Cabinet Roller	99	1607700	Water Inlet Tube
37	3570050	Leveling Leg, #18-3/8 x 1"	100	6220470	Fill Tube Clamp
38	6110580	Adjusting Screw	101	3013820	Fill Tube Heater
39	3450290	Angle Bracket	102	6120450	Locking Cable Tie 9.7" BLK
40	0168070	Cond. Fan Shroud (See SN Breaks)	103	2605408	Water Inlet Tube Extension, 6.34"
	0260140	Cond. Fan Shroud (See SN Breaks)	104	3450480	Plastic O-Ring
41	6200010	Screw, #10-12 x 3/4" Pan HD	105	6220330	Plastic Support
42	3420670	Screw Spacer	106	0234020	Drain Trough Enclosure
43	6200450	Screw, #8 x 1" Type AR Flat	107	6201270	Screw, #8-18 x 5/8" PH PN SS-Gnd
44	6150410	Nut, 1/4-20	108	6201270	Screw, #8-18 x 5/8" PH PN SS-Gnd
45	3150320	Fan Blade, Cond -5 prop	109	3060130	SPST Fan/Icemaker Switch
46	3210340	Neoprene Silencer, 7/8"	110	4200521	Icemaker Assy
47	4200740	Motor Pkg, Cond Fan (blade not incl.)	111	6200120	Screw, #10-12 x 1/2" Truss HD
48	6150330	Well Nut, .75D x .804", #10-32	112	6200320	Screw, #8-32 x 1/2" Truss Head
49	3150650	Condenser Fan Bracket	113	6120280	Tube Clamp, Nylon, 3/16"
50	6240350	Fender Washer, .25x1.25x.06	114	3421150	Ice Level Control Arm
51	6201280	Machine Screw, #10-32 x 1-1/4"	115	6200120	Screw, #10-12 x 1/2" Truss HD
52	6200490	Screw, #8-32 x 3/8" Slotted Hex T25	116	3421070	Connecting Rod
53	3060030	Light Switch, N/C	117	0168680	Shim - Hinge
54	3060020	Fan Switch, N/O	118	6200720	Screw, #8-18 x 1/2 PH Truss HD
55	4201770	Evap. Fan Motor Pkg. (blade not Incl.)	119	6110270	Bolt, #10-32 x 1/4" RD HD
56	0211620	Refrigerator Fan Bracket	120	3140360	Fill Cup Plug
57	3220250	Grommet, Rubber-M5351	121	3520250	Water Inlet Fitting Assy

601F MECHANICAL VIEW

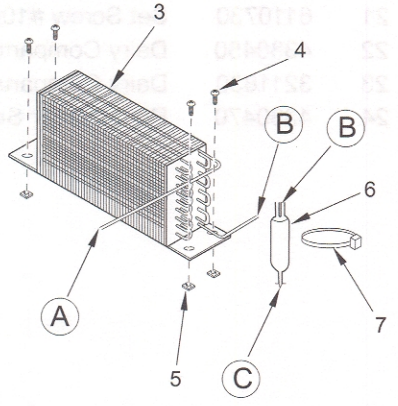
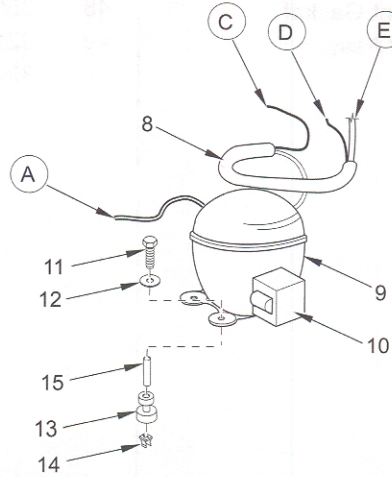
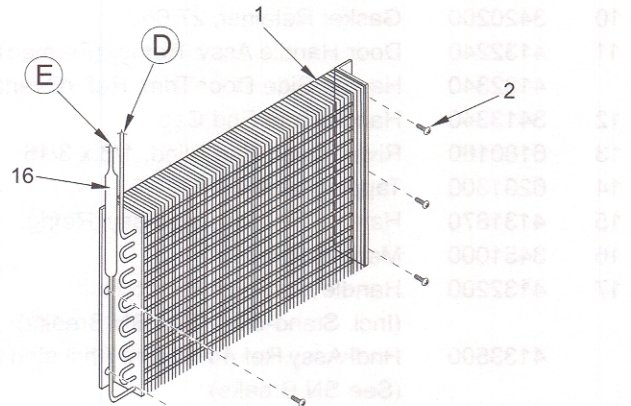
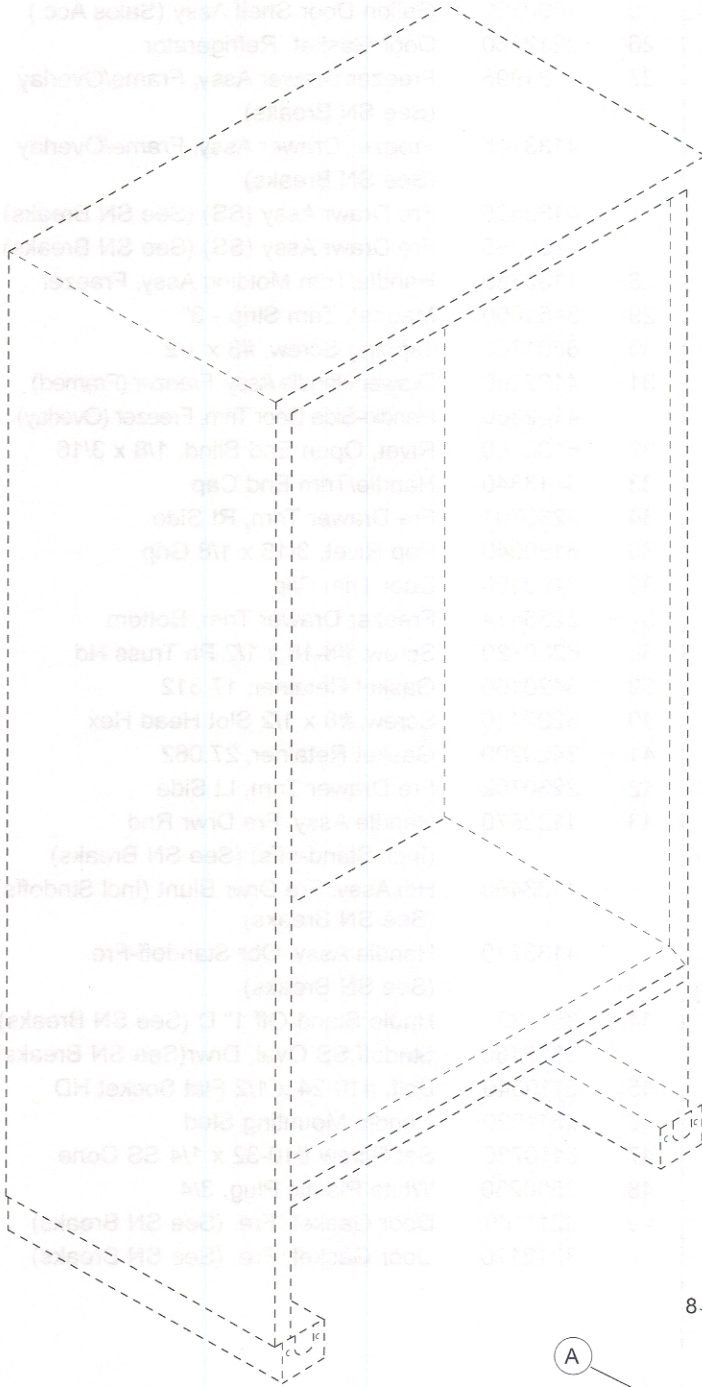


601F SEALED SYSTEM PARTS LIST

<u>Ref #</u>	<u>Part #</u>	<u>Description</u>
1	3130440	Evaporator Assembly
2	6201270	Screw, #8-18 x 5/8" PH PN SS-Gnd
3	3120320	Condenser (See SN Breaks)
	3120390	Condenser (See SN Breaks)
4	6110020	Bolt, #10-24 x 3/8" Truss HD
5	6150080	Nut-Flat, #10-24
6	3014230	Filter-Drier, High Side
7	6120170	Locking Cable Tie, Red, 11-1/2"
8	4251320	Heat Exchanger
9	4202250	Compressor, Freezer (DA73)
10	3111041	Relay, (PTH490D-AS100) (Used with DA73 Compressor)
	3111350	Relay, (8EA403) (Used with RG108 Compressor)
	3111430	Overload, (4TM419MFB) (Used with DA73 Compressor)
	3111390	Overload, (4TM419TFB) (Used with RG108 Compressor)
	3111070	Running Capacitor, (12Mf) (Used with DA73 Compressor)
	3111133	Capacitor, (15Mf) (Used with RG108 Compressor)
11	6200300	Screw, 5/16-18 x 1-1/2" Hex
12	6240050	Flat Washer, 5/16"
13	3150170	Rubber Grommet, Large, 15/16"
14	1801000	Nylon Compressor Mount, 7/16"
15	6160070	Sleeve, 5/16 x 7/16 x 7/8"
16	3011140	Accumulator
17	3014100	Suction Line Drier (Service Only)



601F SEALED SYSTEM VIEW



17 - Suction Line Drier
(Not Shown)