



INTRODUCTION

This Sub-Zero Service Parts Manual, Part #3758441, has been compiled with the latest service parts information.

NOTE: The following may be contained in, or after part descriptions:

- , **B** = carBon Unit
- , **P** = Platinum Unit
- , **S** = classic Stainless steel

- (See SN Breaks) = See Serial Number Breaks in Price List
- (PTS #.....) = Prior To Serial Number.....
- (SWS #.....) = Starting With Serial Number.....

TABLE OF CONTENTS

	<i>Page #</i>
<i>Model 648PRO Door and Drawer</i>	<i>2</i>
<i>Model 648PRO Cosmetic</i>	<i>4</i>
<i>Model 648PRO Mechanical</i>	<i>6</i>
<i>Model 648PRO Sealed System</i>	<i>8</i>

NOTE: The icemakers currently used in production do not offer individual service components. If problems with the icemaker are discovered, the entire icemaker must be replaced.

TECHNICAL ASSISTANCE

With questions regarding a Sub-Zero appliance and/or this manual, please contact:

*Sub-Zero Freezer Company, Inc.
 ATTN: Service Department
 P.O. Box 44988
 Madison, WI 53744-4988*

*Customer Service & Parts / Warranty Claims
 Phone #: (800) 332 - 9513*

*Technical Assistance
 Phone #: (800) 919 - 8324*

*Customer Service & Technical Assistance
 Facsimile #: (608) 441 - 5887*

*Parts / Warranty Claims
 Facsimile #: (608) 441 - 5886*

*Service Department e-mail Address
 customerservice@wolfappliance.com*

*Office Hours:
 7:00 AM to 7:00 PM Central Time
 Monday through Friday*

This manual is designed to be used by Authorized Service Personnel only. Sub-Zero Freezer Co., Inc. assumes no responsibility for any repairs made on Sub-Zero refrigeration units by anyone other than Authorized Service Technicians.

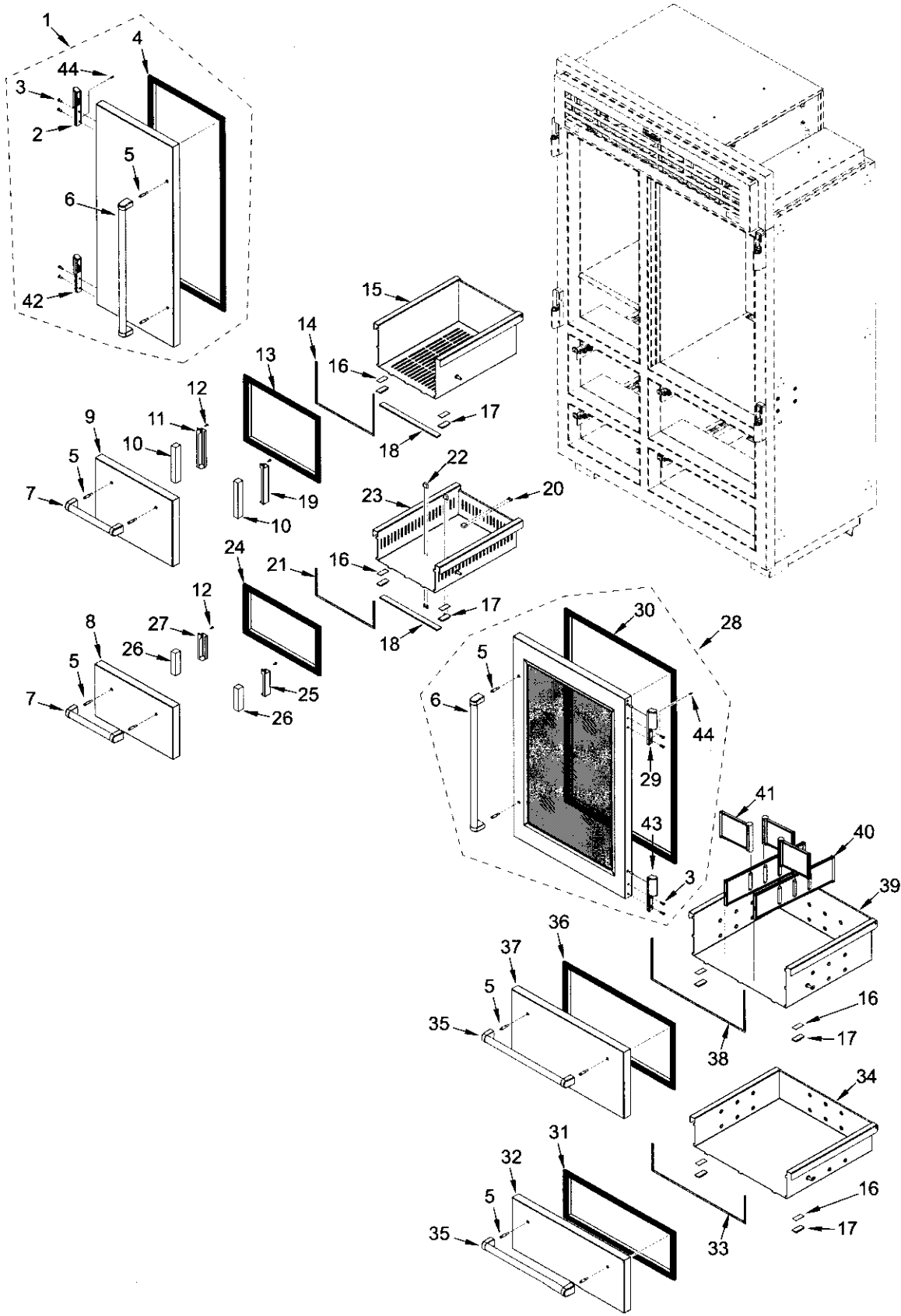
Information and images contained in this manual are the copyright property of Sub-Zero Freezer Company, Inc. Neither this manual nor any information or images contained herein may be copied or used in whole or in part without the express written consent of Sub-Zero Freezer Company, Inc.

© Sub-Zero Freezer Company, Inc, all rights reserved.

648PRO DOOR PARTS LIST

Ref #	Part #	Description
1	7001786	Door Assy, Fre Svce
2	7003690	Hinge Assy, Fre Door Upper Svce
3	6110900	Screw, 1/4-20 x 3/4
4	3212400	Gasket, Door Fre
5	3512380	Stud, Mtg
6	7001793	Handle Assy, Door Svce
7	7001789	Handle Assy, Drawer Svce
8	4135561	Drawer Assy, Lwr Front Svce
9	4135551	Drawer Assy, Upr Front Svce
10	3320840	Insulation, Drawer Dike Upr
11	0235802	Dike, Upr Drawer LH
12	6201670	Screw, #8 Rivgrip
13	3212410	Gasket, Upr Fre Drawer
14	3212362	Seal, Drawer Tub
15	7001774	Drawer Assy, Fre Upr Svce
	3414450	Tub, Upr Fre Drwr
16	6231730	Tape, 3M VHB #4941 7/8 X 1-7/8
17	3414540	Block, Tub Engagement
18	6231910	Tape, Foam Polyethylene 1/4 X 1
19	0235801	Dike, Upr Drawer RH
20	6201780	Screw, M4X10 PH PAN HD
21	3212363	Seal, Drawer Tub
22	3414640	Stop, Ice Bucket
23	7001777	Drawer Assy, Fre Lwr Svce
	3414460	Tub, Lwr Fre Drwr
24	3212420	Gasket, Lwr Fre Drawer
25	0235811	Dike, Lwr Drawer RH
26	3320850	Insulation, Drawer Dike Lwr
27	0235812	Dike, Lwr Drawer LH
28	7001765	Door Assy, Ref Svce-Solid
	7001768	Door Assy, Ref Svce-Glass
	7001771	Door Assy, Ref HAG Svce
29	7003689	Hinge Assy, Door Ref Upper Svce
30	3212350	Gasket, Door
31	3212390	Gasket, Drawer Lwr
32	4135531	Drawer Assy, Lwr Front Svce
33	3212361	Seal, Drawer Tub
34	7001783	Drawer Assy, Ref Lwr Svce
	3414440	Tub, Lwr Ref Drawer
35	7001791	Handle Assy, Drawer Svce
36	3212380	Gasket, Drawer Upr
37	4135511	Drawer Assy, Upr Front Svce
38	3212360	Seal, Drawer Tub
39	7001780	Drawer Assy, Ref Upr Svce
	3414870	Tub, Upr Ref Drawer
40	3414390	Divider, Drawer (Long)
41	3414400	Divider, Drawer (Short)
42	4152244	Hinge Assy, Fre Svce
43	4152243	Hinge Assy, Ref Svce
44	6202040	Screw, Set #5-40 X 1/2 SS

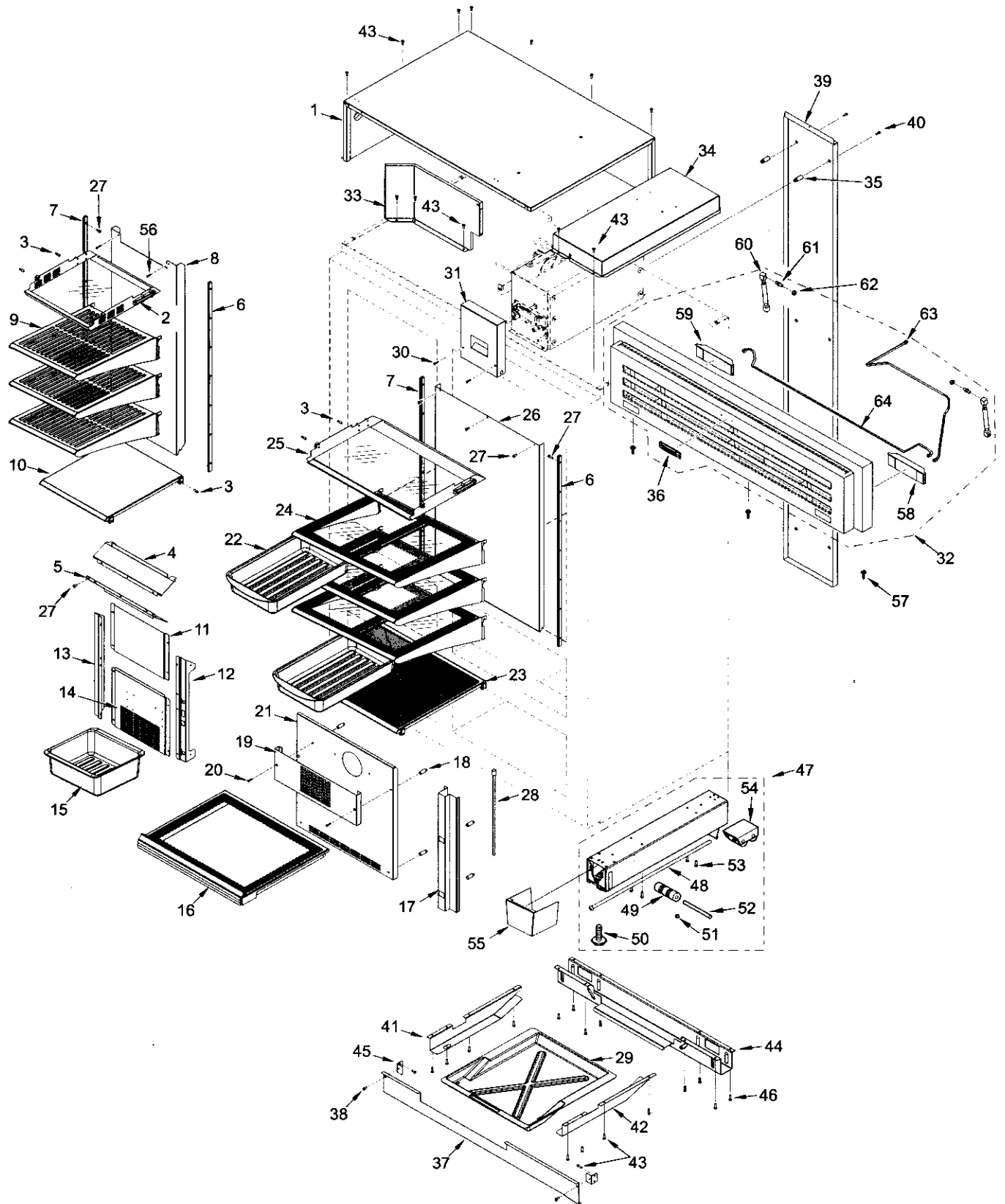
648PRO DOOR VIEW



648PRO COSMETIC PARTS LIST

<u>Ref #</u>	<u>Part #</u>	<u>Description</u>	<u>Ref #</u>	<u>Part #</u>	<u>Description</u>
1	4281641	Unit Shroud Assy, Svce	31	4152420	Cover Assy , Tech Display Svce
2	4162901	Diffuser Assy, Light Fre Svce	32	4242471	Grill Assembly, SS
3	6110890	Bolt, Shoulder 1/4X5/16X .475	33	4281651	Shroud Assy, Comp Svce
4	0235640	Shroud, Fan, Upper	34	4152291	Cover Assy, Main Control Svce
5	0235650	Shroud, Fan, Lower	35	6160310	Standoff, Nylon 1"
6	3602381	Ladder, Ref Shelf RH	36	3580260	Logo, Stainless 4
7	3602382	Ladder, Ref Shelf LH	37	0262830	Kickplate
8	0201380	Cover, Fre Evap	38	6200050	Screw, #10-12x1/2 Pan HD B
9	3602480	Frame, Fre Shelf	39	0121670	Duct, Back
10	4600021	Shelf Assy, Fre Bottom	40	6201860	Screw,8-15 X 1-1/2 6-Lobe FH
11	0201400	Cover, Fre Evap Upper	41	0262260	Support, Drain Pan LH
12	4152440	Bracket Assy, Evap Cover RH	42	0262270	Support, Drain Pan RH
13	4152450	Bracket Assy, Evap Cover LH	43	6201940	Screw,10-12 X 3/4 6-Lobe PH
14	4182311	Cover, Fre Evap Lwr Assy Svce	44	0262280	Support, Drain Pan Rear
	6111100	Bolt,#8-32X3/8 6-Lobe TR HD	45	0262960	Kickplate Sprt, Side Bracket
15	4182310	Bucket, Ice Assy Svce	46	6201810	Screw,#10-32X3/4 TapTite PN TX
	3250260	Handle, Ice Bucket	47	4110505	Roller Base Assy,648PRO Svce
16	4182201	Crisper Lid Assy, Svce	48	6111000	Screw, Adjusting 1/4-20 X 20.5
17	0213150	Evap Cover, RH Bracket(See SN Breaks)	49	3421240	Cabinet Roller
	0213490	Evap Cover, RH Bracket(See SN Breaks)	50	3570050	Leveling Leg, #18-3/8 x 1"
18	6220610	Standoff, 1.062	51	3450620	Canoe Clip
19	0213100	Cover, Fan	52	3550560	Straight Pin, Base Assy - .312" x 2.88"
20	6201920	Screw, 8-15X2 6 Lobe PH	53	6201930	Screw,8-18 X 5/8 6-Lobe PH
21	0201370	Cover, Reff Evap Lower	54	4110506	Base Assy, Rear Rollers
22	3414350	Bin, Ref	55	4110481	Cover Assy, Leveling Leg Svce
23	4600031	Shelf Assy, Ref Bottom Svce	56	6201980	Screw,#8-15X2-3/4 6-Lobe PH
24	4600011	Shelf Assy, Ref Svce	57	6110910	Machine Screw,1/4-20 X 1
25	4162891	Diffuser Assy, Light Ref Svce	58	4163110	Assy,User Dsplay Temp Svce (Rt side)
26	0201360	Cover, Ref Evap Upper	59	4163120	Assy,User Dsplay Temp/Fitr Svce(Lt side)
27	6201670	Screw, #8 Rivgrip	60	3451070	Spring, Grille Gas
28	3024260	Tube, Ref Drain Up	61	3530960	Stud, Ball 10MM
29	0235600	Drain Pan	62	6151060	Nut, Serrated 5/16-18 Hex
30	6201920	Screw, 8-15X2 6-Lobe PH	63	7003932	W/H Network Svce
			64	7003931	W/H Network Svce

648PRO COSMETIC VIEW



648PRO SEALED SYSTEM PARTS LIST

<u>Ref #</u>	<u>Part #</u>	<u>Description</u>
1	6110860	Bolt, 5/16-18 X1-3/4 Hex HD
2	6240050	Washer, Flat 5/16"
3	3150010	Rubber Grommet, Small, 5/8"
4	6160030	Spacer, 5/16 x 7/16 x 5/8"
5	4204741	Pckg, Comp Fre VEGY (V-Spd) SVCE (Includes Inverter)
6	7003828	Inverter, VEGY Compressor Svce
7	4201880	Compressor, Ref. (Service)
	NOTE:	VARIABLE SPEED COMPRESSOR NOT AVAILABLE FOR SERVICE.
	3112211	Electrical Assy, EMU30HSC (Used w/Production EMU30HSC Comp)
	3112500	Capacitor, 12MF (Used w/Production EMU30HSC Comp)
	3111370	Relay, EMB 1351400 OR 213514008 (Used w/Service Comp)
	3111410	Overload, (4TM734LFB) (Used w/Service Comp)
8	4231031	Shroud Assy, Condenser Fan
	3120490	Condenser, Dual
9	6201670	Screw, #8 Rivgrip
10	4211830	Evaporator Assembly
	3130640	Evaporator, Ref
	4251620	Heat Exch Assy, Ref Evap
11	4211830	Evaporator Assembly
	3130640	Evaporator, Ref
	4251620	Heat Exch Assy, Ref Evap
12	4290461	Valve Assy, Aweco Svce
13	6201930	Screw, 8-18 X 5/8 6 Lobe PH
14	3421410	Drain Pan Heater Loop Support
15	2600138	Drain Pan Htr Loop
16	3320780	Spacer, Foam Evap
17	3320770	Spacer, Foam Evap
18	4211821	Evap Assy, Fre Svce
	3130760	Evaporator, Fre
	4251630	Heat Exch Assy, Fre Evap
19	6231800	Tape, Foam XLPE
20	3014230	Filter-Drier, High Side
21	3014100	Drier, Suct Line (Service Only)
22	7003829	Inverter, VEMY3 Compressor Svce. (Use w/Production VEMY3 V-Speed Ref Comp)
23	3520500	Tube, Fitting Tee-5/16"ID

648PRO SEALED SYSTEM VIEW

