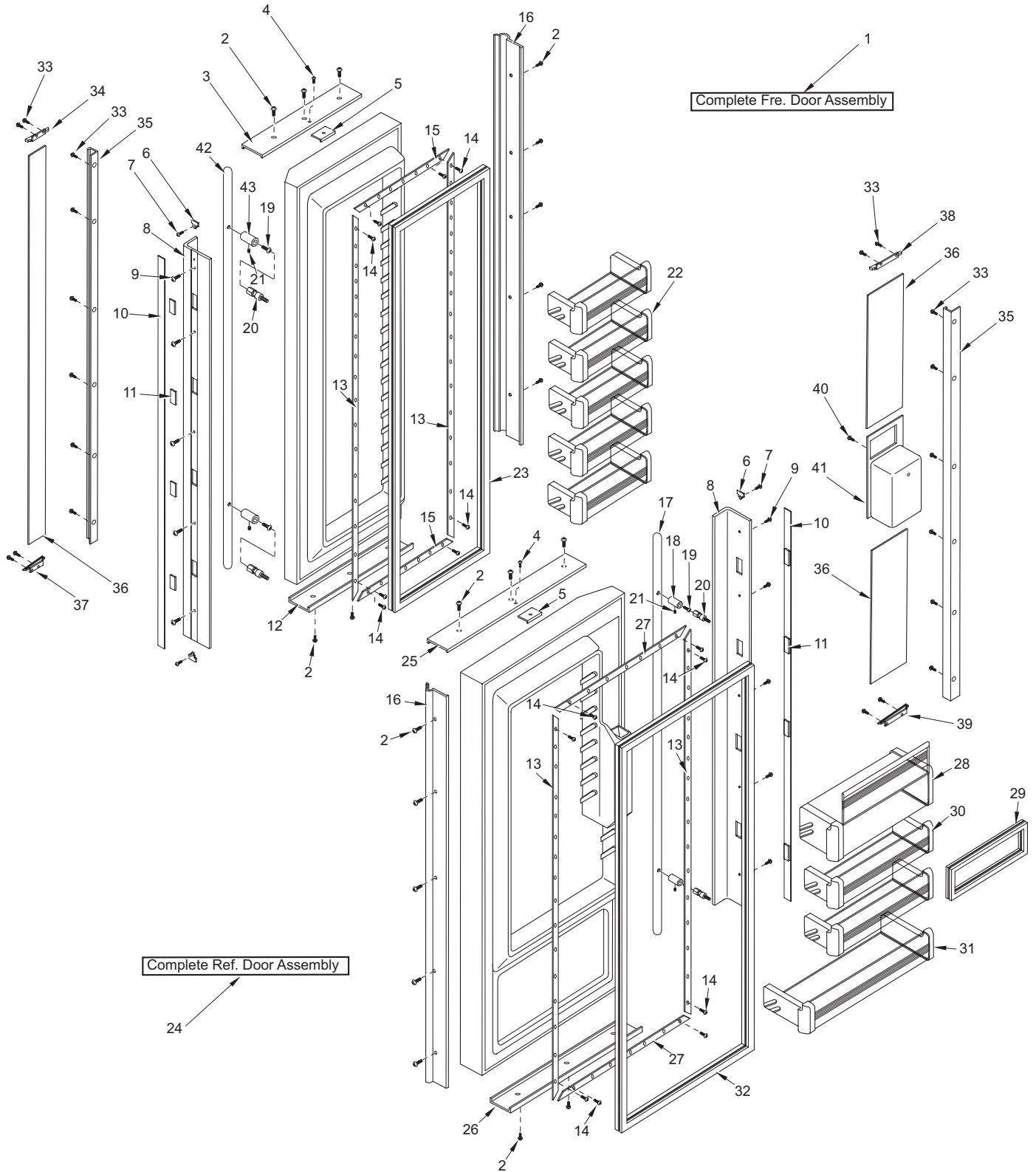




690 DOOR PARTS LIST

Ref #	Part #	Description	Ref #	Part #	Description
1	4132605	Fre Door Assy-Framd(See SN Breaks)	28	4330600	Dairy Compartment Assembly
	4132975	Fre Door Assy-Framd(See SN Breaks)	29	3211840	Dairy Compartment Gasket
	4132625	Fre Door Assy - SS (See SN Breaks)	30	4330590	Upper Refrig. Door Shelf Assembly
	4133195	Fre Door Assy - SS (See SN Breaks)	31	4330470	Refrig. Door Shelf Assembly (Regular)
2	6200720	Screw, #8-18 x 1/2 PH Truss HD		4330520	Gallon Door Shelf Assy (Sales Acc.)
3	2230603	Door Trim, Top; Freezer	32	3212110	Door Gasket, Refrigerator
4	6200720	Screw, #8-18 x 1/2 PH Truss HD	33	6200840	Screw, #10 x 1/2" PH FH AB SS
5	4200940	Switch Depressor (Includes Screw)	34	3413451	Top Trim Filler, Freezer Door
6	3413340	Handle/Trim End Cap	35	3511470	Vertical Trim Strip
7	6180160	Rivet, Open End Blind, 1/8" X 3/16"	36	P1/P2	Hndl Insrt-Brt White / Almond Buff
8	4132650	Door Handle Assy, 67.88"		P3/P4	Handle Insert-Camel/Adobe
9	6201300	Tapping Screw, #8 x 1/2"		P5	Handle Insert-Brushed Pewter
10	4131860	Handle/Trim Molding Assembly		P6/P7	Hndl Insrt-Smoke Gray / Charcoal
11	3451000	Magnet, Trim Strip - 3"		P8/P9	Hndl Insrt-Port Brown / Black Slate
12	2230604	Door Trim, Bottom; Freezer		P10	Handle Insert-Stainless Steel
13	3420260	Gasket Retainer, 66.875"		P11	Handle Insert-White Enamel
14	6200410	Screw, #8 x 1/2" Slot Head Hex		P12	Handle Insert-Avocado Enamel
15	3420140	Gasket Retainer, 16.125"		P13	Handle Insert-Harvest Gold Enamel
16	3511131	Door Trim, Hinge Side - Mitered Corner		P14	Handle Insert-Almond Enamel
	3511130	Door Trim, Hinge Side - (SS Model)		P15	Handle Insert-Coffee Enamel
17	4132630	Handle Assy, SS 7/8"D X 43"L-Ref (Incl Stnd-off) (See SN Breaks)	37	3413452	Bottom Trim Filler, Freezer Door
	4133100	Handle Assy, SS 1"D Rnd-Ref (Incl Stnd-off) (See SN Breaks)	38	3413441	Top Trim Filler, Refrig. Door
	4133650	Handle Assy, SS 1"D Blnt-Ref (Incl Stnd-off) (See SN Breaks)	39	3413442	Bottom Trim Filler, Refrig. Door
	4133740	Handle Assy, SS OBR Standoff-Ref (See SN Breaks)	40	6200900	Screw, #8 x 1/2" PH FH Hi-lo
18	3511490	Refrig Hndl Stand-off, 7/8"D / 3.5 Deg. (See SN Breaks)	41	G1	Glass Well-Bright White
	3511850	Refrig Hndl Stand-off, 1"D / 3.5 Deg. (See SN Breaks)		G2	Glass Well-Almond Buff
	3512170	Standoff, SS Oval, Ref 4 Deg.		G3	Glass Well-Camel
19	6110720	Bolt #10-24X1/2 Socket HD Cap		G4	Glass Well-Adobe
20	3511520	Handle Mounting Stud		G5	Glass Well-Brushed Pewter
21	6110730	Set Screw #10-32 X 1/4 SS Cone		G6	Glass Well-Smoke Gray
22	4330460	Fre Door Shelf Assy (See SN Breaks)		G7	Glass Well-Charcoal
	4330660	Fre Door Shelf Assy (See SN Breaks)		G8	Glass Well-Port Brown
23	3211090	Door Gasket, Fre (See SN Breaks)		G9	Glass Well-Black Slate
	3212090	Door Gasket, Fre (See SN Breaks)		3413410	Glass well-Stnls Steel (SS Model Only)
24	4132595	Ref Door Assy-Framd(See SN Breaks)	42	4132640	Fr Hndl Assy,7/8"DX43"L (Incl Stnd-off) (See SN Breaks)
	4132965	Ref Door Assy-Framd(See SN Breaks)		4133110	Fre Hndl Assy,1"DX43"L (Incl Stnd-off) (See SN Breaks)
	4132615	Ref Door Assy- SS (See SN Breaks)		4133660	Handle Assy, Fre 1"D X 43"L (Blunt) (Incl. Stand-offs) - (See SN Breaks)
	4133185	Ref Door Assy- SS (See SN Breaks)	43	3511480	Fre. Handle Stand-off, 7/8"D / 10 Deg. (See SN Breaks)
25	2230601	Door Trim, Top; Refrigerator		3511860	Fre. Handle Stand-off, 1"D / 10 Deg. (See SN Breaks)
26	2230602	Door Trim, Bottom; Refrigerator		3152180	Standoff, SS Oval, Fre 10 Deg. (See SN Breaks)
27	3420200	Gasket Retainer, 27.062"			

690 DOOR VIEW



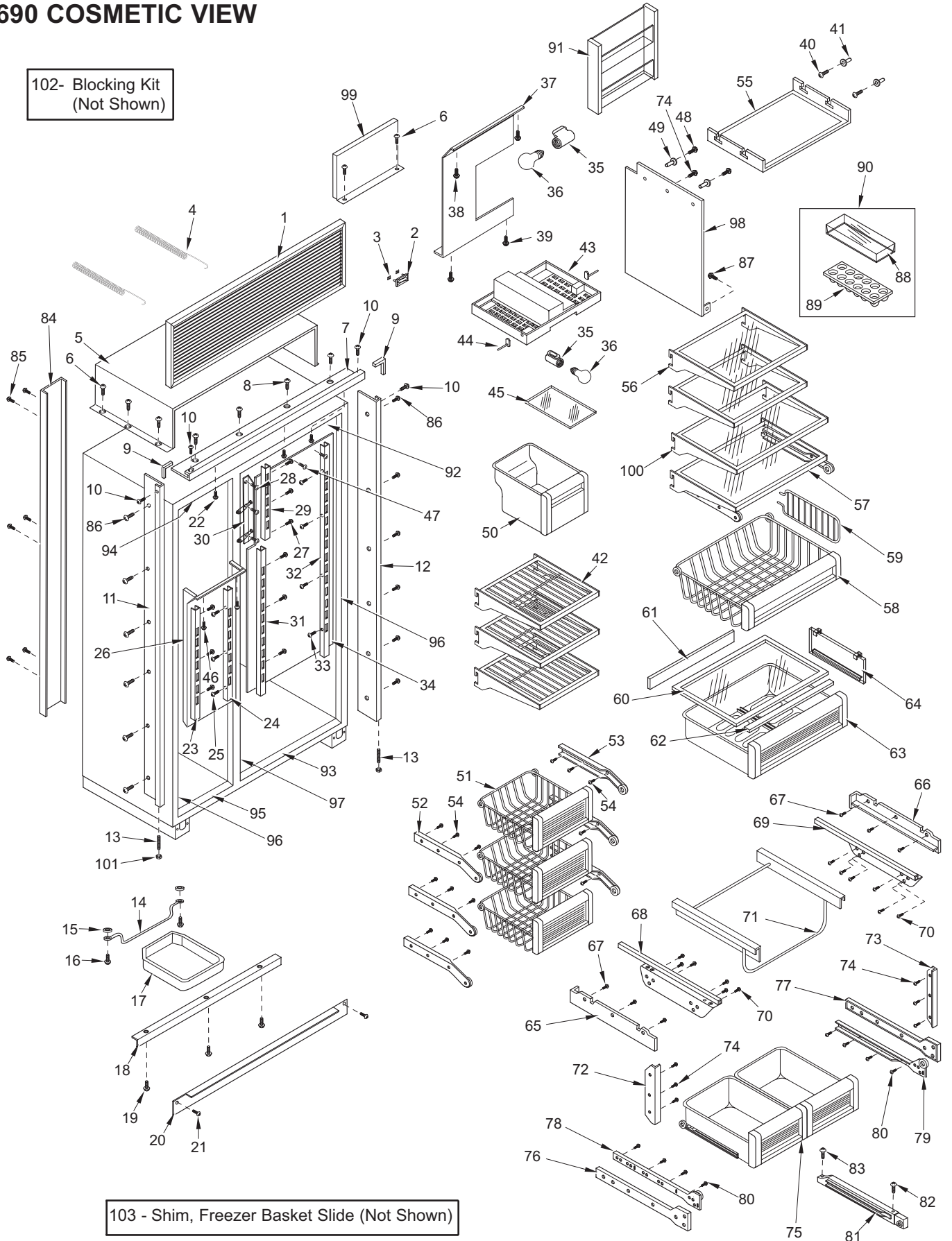


690 COSMETIC PARTS LIST

Ref #	Part #	Description	Ref #	Part #	Description
1	6LG4811	Louvered Grille Assembly, 48" x 11"	50	4181180	Ice Bucket Assy
	6PG4811	Panel Grille Assembly, 48" x 11"	51	4181570	Freezer Basket Assy (See SN Breaks)
	6SG4811	SS Grille 48" x 11" (See SN Breaks)		4181820	Freezer Basket Assy (See SN Breaks)
	6SG4811/S	SS Grille,48X11-CLSIC (See SN Breaks)	52	4180972	Fre Bskt Slide Assy-LH (See SN Breaks)
2	3580230	Nameplate w/ Pegs		4181842	Fre Bskt Slide Assy-LH (See SN Breaks)
	3580210	Name Plate, Stick-on	53	4180971	Fre Bskt Slide Assy-RH (See SN Breaks)
3	6150140	Spring Grip Nut, 1/8"		4181841	Fre Bskt Slide Assy-RH (See SN Breaks)
4	3450900	Grille Spring	54	6200450	Screw, #8 x 1" Type AR Flat
5	4281080	Unit Shroud Assembly	55	4161580	Refrig. Light Diffuser Assembly
6	6200230	Screw, #8-18 x 1/2" Hex Head	56	3602050	Glass Shelf, Refrig Upper, Spill Proof
7	2229704	Main Frame, Top	57	4181560	Refrig. Roll-out Shelf Assy
8	6200010	Screw, #10-12 x 3/4" Pan HD	58	4181540	Refrig. Roll-out Basket Assy
9	2210701	Main Frame Angle	59	3411160	Ref Roll-Out Bskt Divider
10	6200070	Screw, #4-24 x 3/8" Flat HD	60	4151770	Crisper Glass Assembly (Incl Seals)
11	4120590	Main Frame Assy, Left (See SN Breaks)	61	3211770	Crisper Glass Seal, Rear
	4120830	Main Frame Assy, Left (See SN Breaks)	62	3211740	Crisper Glass Seal, Front
12	4120580	Main Frame Assy,Right (See SN Breaks)	63	4181460	High Humidity Drawer Assembly
	4120820	Main Frame Assy,Right (See SN Breaks)	64	3413100	Drawer Divider
13	3550190	Bottom Hinge Stud	65	3421711	Top Crspr Glass Support, Narrow-RH
14	3420760	Drain Pan Holder	66	3421721	Top Crisper glass Support, Wide-RH
15	3420670	Screw Spacer	67	6201130	Screw, #8x 1/2" PH FL HD SS
16	6201060	Screw, #8x1-1/4" PH FLAT TAP	68	4181421	Top Crisper Slide Assy, Narrow-RH
17	0164940	Drain Pan	69	4181411	Top Crisper Slide Assembly, Wide-RH
18	0169970	Kickplate Support	70	6201270	Screw, #8-18 x 5/8" PH PN SS-Gnd
19	6200010	Screw, #10-12 x 3/4" Pan HD	71	3421760	Humidity Drawer Slide-Frame
20	0260150	Kickplate, Black-Solid	72	3421732	Crisper Filler Strip, Wide
	0167810	Kickplate, Stainless Steel	73	3421731	Crisper Filler Strip, Narrow
21	6200050	Screw, #10-12 x 1/2" Pan HD	74	6201270	Screw, #8-18 x 5/8" PH PN SS-Gnd
	6200720	Screw, #8-18 x 1/2 PH Truss HD	75	4181490	Small Storage Drawer Assembly
22	6201310	Screw, #8 x 1-3/4" Flat PH HD	76	3421691	Bott Crisper Slide Support, Narrow
23	3602072	Fre Shelf Ladder, Left (See SN Breaks)	77	3421692	Bott Crisper Slide Support, Wide
	3602230	Fre Shelf Ladder, Left (See SN Breaks)	78	3413112	Bot Crisper Slide, Cabinet - Left
24	3602071	Fre Shelf Ladder, Right (See SN Breaks)	79	3413111	Bot Crisper Slide, Cabinet - Right
	3602220	Fre Shelf Ladder, Right (See SN Breaks)	80	6201230	Screw, #8 x 7/8" w/a #7 PH FT Head
25	6200710	Screw, #8-18 x 3/8" Fillister HD	81	4181430	Center Crisper Slide Assembly
26	0200890	Freezer Duct (See SN Breaks)	82	6201120	Screw, #8-18 x 1.75 Truss SS
	0201180	Freezer Duct (See SN Breaks)	83	6201130	Screw, #8x 1/2" PH FL HD SS
27	6200710	Screw, #8-18 x 3/8" Fillister HD	84	0168120	Back Duct (See SN Breaks)
28	6201270	Screw, #8-18 x 5/8" PH PN SS-Gnd		0169600	Back Duct (See SN Breaks)
29	4151410	Refrig. Upper Left Shelf Ladder Assy	85	6201060	Screw, #8x1-1/4" PH FLAT TAP
30	4151400	Tank Cover Bracket Assembly	86	6200210	Screw, #8-32 x 1/2" Flat Head
31	3602060	Refrig. Shelf Ladder, Lower Left	87	6200140	Screw, #8-15 x 3/8" Truss HD
32	3601811	Refrig. Shelf Ladder, Right	88	3412280	Egg Tray Cover
33	6200710	Screw, #8-18 x 3/8" Fillister HD	89	3412270	Egg Tray
34	0201170	Refrigerator Evaporator Cover	90	4131810	Egg Tray with Cover
35	3050190	Light Socket, Single	91	4181190	Juice Can Rack Assy (See SN Breaks)
36	3030030	Light Bulb, 40 Watt		4181880	Juice Can Rack Assy (See SN Breaks)
37	4161060	Light Assy,Fre Evap Frnt(See SN Breaks)	92	2811201	Breaker Strip, Ref Top (See SN Breaks)
	4161590	Light Assy,Fre Evap Frnt(See SN Breaks)	93	2811202	Breaker Strip, Ref Bot (See SN Breaks)
38	6201270	Screw, #8-18 x 5/8" PH PN SS-Gnd	94	2811203	Breaker Strip, Fre Top (See SN Breaks)
39	6200140	Screw, #8-15 x 3/8" Truss HD	95	2811204	Breaker Strip, Fre Bot (See SN Breaks)
40	6201330	Screw, #8-18 x 5/8" PH PN SS-Gnd		4203910	Patch,Fre Face Frm Sill(See SN Breaks)
41	3520420	Insert / Diffuser Stand-off	96	2811205	Brkr Strip;Fre/LS,Ref/RS(See SN Breaks)
42	3601870	Freezer Wire Shelf (See SN Breaks)	97	1811300	Breaker Strip, Mullion (See SN Breaks)
	3602200	Freezer Wire Shelf (See SN Breaks)	98	0212420	Water Reservoir Tank Cover
43	4151890	Fre Lwr Evap Cvr Assy (Incl light socket)	99	4280950	Compressor Shroud Assembly
44	3550610	Snap Pin	100	3601891	Glass Shelf, Spill Proof
45	3500620	Freezer Lower Light Diffuser	101	6150200	Nut, 1/4-20 Hex
46	6200140	Screw, #8-15 x 3/8" Truss HD	102	4201330	Blocking Components; 48"
47	6201270	Screw, #8-18 x 5/8" PH PN SS-Gnd	103	3411890	Shim, Fre Basket Slide (See SN Breaks)
48	6201330	Screw, #8-18 x 5/8" PH PN SS-Gnd		2121120	Shim, Fre Basket Slide (See SN Breaks)
49	3520420	Insert / Diffuser Stand-off			

690 COSMETIC VIEW

102- Blocking Kit
(Not Shown)



103 - Shim, Freezer Basket Slide (Not Shown)

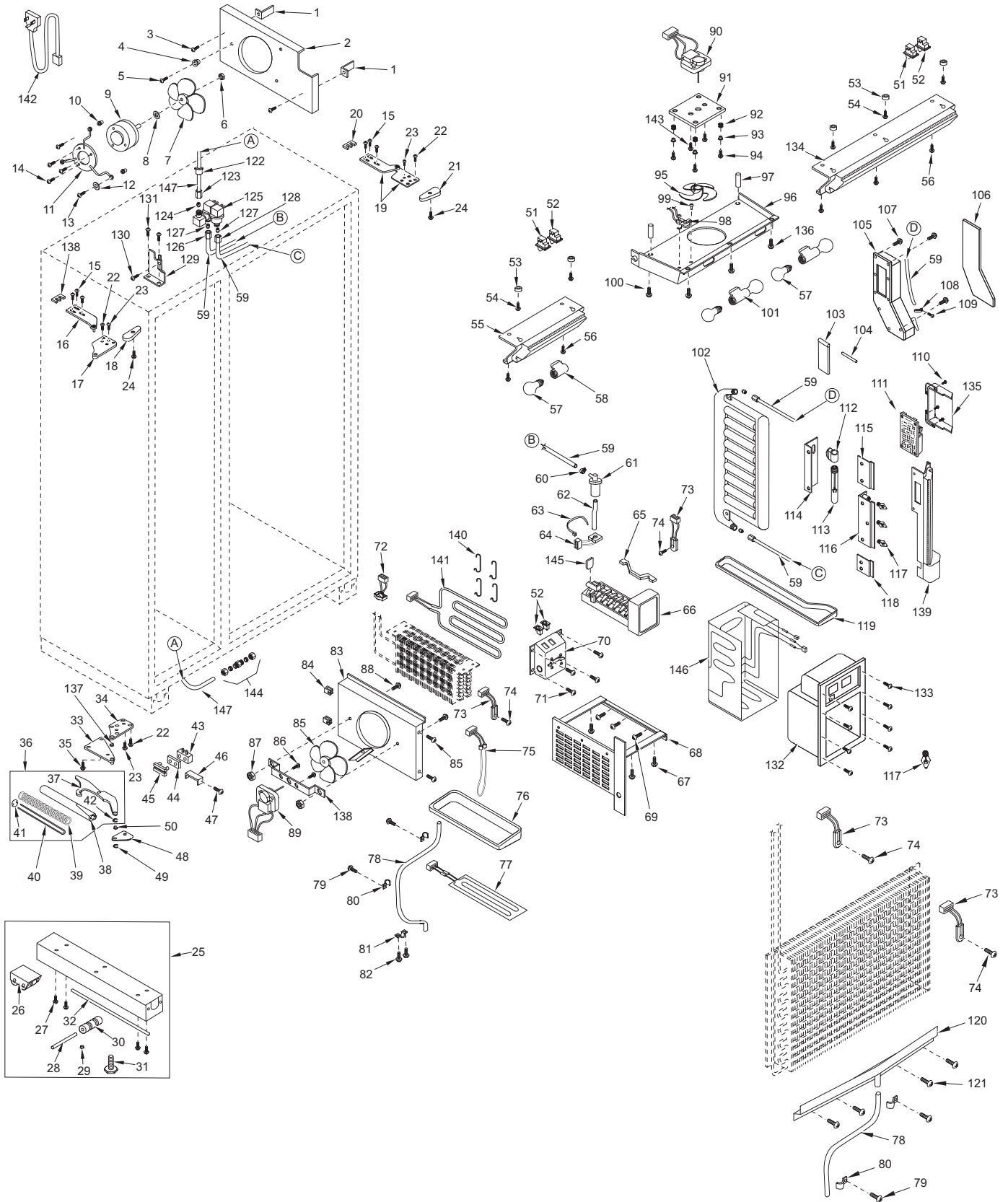


690 MECHANICAL PARTS LIST (1 of 2)

Ref #	Part #	Description	Ref #	Part #	Description
1	3450290	Angle Bracket	50	3450550	E-Ring / Klipring , 5/16"
2	0169980	Condenser Fan Shroud	51	3060140	SPST Light Switch
3	6200010	Screw, #10-12 x 3/4" Pan HD	52	3060130	SPST Fan/Icemaker Switch
4	3420670	Screw Spacer	53	6160240	Nylon Spacer
5	6200450	Screw, #8 x 1" Type AR Flat	54	6200720	Screw, #8-18 x 1/2 PH Truss HD
6	6150410	Nut, 1/4-20	55	4160951	Freezer Front Pnl Assy (See SN Breaks)
7	3150320	Fan Blade, Cond, 5 prop, 7"		4161561	Freezer Front Pnl Assy (See SN Breaks)
8	3210340	Neoprene Silencer, 7/8"	56	6201270	Screw, #8-18 x 5/8" PH PN SS-Gnd
9	4200740	Motor Pkg, Cond Fan (blade not incl.) (See SN Breaks)	57	3030030	Light Bulb, 40 Watt
	4200741	Motor Pkg, Cond Fan (blade not incl.) (See SN Breaks)	58	3050190	Light Socket, Single (See SN Breaks)
10	6150330	Well Nut, .75D x .804", #10-32		3050230	Skt, Light M Base Sngl (See SN Breaks)
11	3150650	Condenser Fan Bracket	59	2600617	Plastic Water Line
12	6240350	Fender Washer, .25x1.25x.06	60	6220470	Fill Tube Clamp
13	6201280	Machine Screw, #10-32 x 1-1/4"	61	1607700	Water Inlet Tube
14	6200490	Screw, #8-32 x 3/8" Slotted Hex T25	62	2605411	Water inlet Tube extension, 2.06"
15	6110070	Bolt, 1/4-20x3/4 Spinlock Zinc	63	6120450	Locking Cable Tie 9.7" BLK
16	4151272	Cabinet Hinge Assy, Upper LH	64	3013820	Fill Tube Heater
17	4151472	Door Hinge Assy, Top LH	65	3140390	Icemaker Rudder Arm
18	3541018	Top Cabinet Hinge Cover, LH	66	4200522	Icemaker Assembly
19	4324250	Cbnt Hng Assy, Upr RH (See SN Breaks)	67	6201000	Screw #8-32X3/8 Thread Forming
	4325070	Cbnt Hng Assy, Upr RH (See SN Breaks)	68	4202820	Ice Bucket Main Frame Assembly
20	0168680	Shim - Hinge	69	6201270	Screw, #8-18 x 5/8" PH PN SS-Gnd
21	3541017	Top Cabinet Hinge Cover, RH	70	4220400	Auger Motor Assy (Incl motor & switches)
22	6110540	Bolt, #10-24 x 1/2" Flat Socket HD	71	6201270	Screw, #8-18 x 5/8" PH PN SS-Gnd
23	6200390	Screw, #6 x 3/8" T25 Flat Head PH	72	3082060	Defrost Terminator
24	6200140	Screw, #8-15 x 3/8" Truss HD	73	3014350	Thermistor
25	4110353	Base Assy (w/rollers)	74	6201270	Screw, #8-18 x 5/8" PH PN SS-Gnd
26	4110331	Base Rear Roller Assy	75	3013540	Drain Tube Heater (See SN Breaks)
27	6200010	Screw, #10-12 x 3/4" Pan HD		3070170	Drain Tube Heater (See SN Breaks)
28	3550560	Straight Pin, Base Assy - .312" x 2.88"	76	4190210	Fre Drain Trough Assy (See SN Breaks)
29	3450620	Canoe Clip		4190290	Fre Drain Trough Assy (See SN Breaks)
30	3421240	Cabinet Roller (Single)	77	4323200	Freezer Drain Trough Heater Assy
31	3570050	Leveling Leg, #18-3/8 x 1"	78	1601400	Drain Tube, Wire - 1/2" x 72"
32	6110580	Adjusting Screw	79	6200010	Screw, #10-12 x 3/4" Pan HD
33	4151281	Cabinet Hinge Assy, Lower RH	80	6120050	Tube Clamp, Plastic, 5/8"
	4151282	Cabinet Hinge Assy, Lower LH	81	6120210	U-Clamp, 5/8"
34	4151241	Door Hinge, Bottom RH	82	6200010	Screw, #10-12 x 3/4" Pan HD
	4151242	Door Hinge, Bottom LH	83	4280930	Fre Evap Fan Shrd (See SN Breaks)
35	6110070	Bolt, 1/4-20x3/4 Spinlock Zinc		4281350	Fre Evap Fan Shrd (See SN Breaks)
36	4201111	Door Closer Assy, RH	84	6120380	U-Type Clip
	4201112	Door Closer Assy, LH	85	3150060	Fan Blade; Freezer; 5 prop; 5-1/2"
37	0183111	Door Closer Arm - RH	86	6200060	Screw, #8-32 x 1/2" Pan HD
	0183112	Door Closer Arm - LH	87	6150160	Nut, #8-32 Hex
38	3421300	Door Closer Housing	88	6200060	Screw, #8-32 x 1/2" Pan HD
39	3450530	Door Closer Spring	89	4200160	Freezer Fan Mtr Cmpnts (Blade not Incl.)
	3450710	Low Pull Door Closer Spring	90	4200170	Refrig. Fan Mtr Cmpnts (Blade not Incl.)
40	3421290	Door Closer Linkage	91	0211620	Refrigerator Fan Brkt (See SN Breaks)
41	0165980	Door Closer Spring Retainer		0212520	Refrigerator Fan Brkt (See SN Breaks)
42	3421260	Door Closer Bearing	92	3220250	Grommet, 3/16" x 7/16" x 9/32"
43	3450570	Door Closer Cushion	93	3520410	Brass Insert, Fan
44	0165970	Door Closer Guide Support	94	6110270	Bolt, #10-32 x 1/4" RD HD
45	3421310	Door Closer Guide	95	3150640	Fan blade, Ref/Fre Evap.
46	0166360	Door Stop Cushion Retainer	96	4161570	Refrig. Fan Shroud Assy
47	6180010	Pop Rivet, 1/8"	97	6220540	Screw Grommet / Stand-off
48	DS90	Door Stop - 90 Degree	98	3082140	Light Terminator
	DS105	Door Stop - 105 Degree	99	6180010	Pop Rivet, 1/8"
49	3450560	E-Ring, 7/16"	100	6201010	Screw, #8-15 x 2" Pan Head

(CONTINUED ON PAGE 8-90)

690 MECHANICAL VIEW (1 of 2)

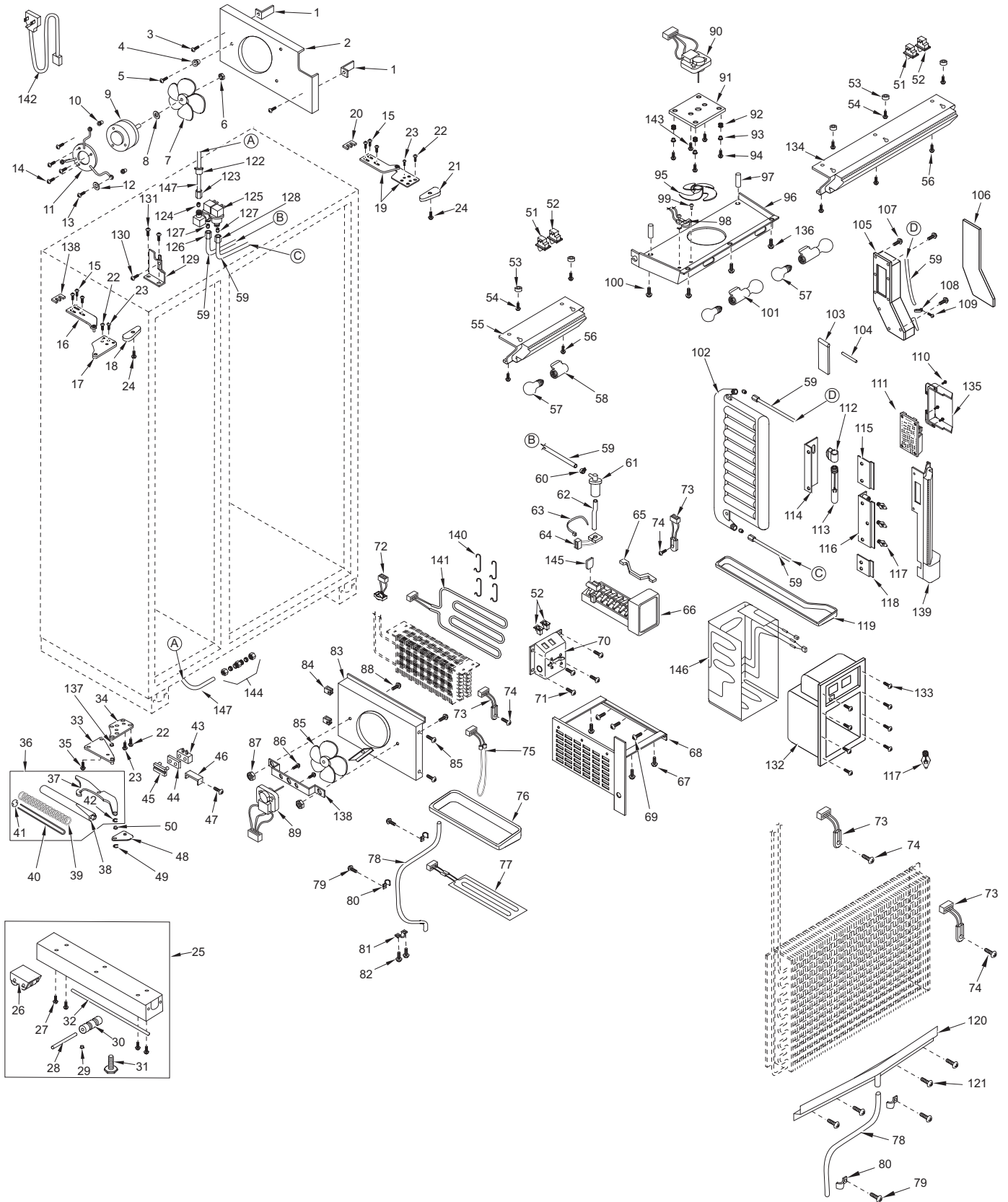




690 MECHANICAL PARTS LIST (2 of 2)

Ref #	Part #	Description	Ref #	Part #	Description
(CONTINUED FROM PAGE 8-88)					
101	3050180	Light Socket, Double (See SN Breaks)	124	3520390	Compression Fitting
	3050250	Sckt, Light M Base Dbl (See SN Breaks)	125	3090280	Dual Water Valve
102	4181710	Water Resrvr Tank Assy (Incl water lines)	126	3520380	Compression Nut
103	3515940	Mullion Chute Door	127	3520050	Brass Insert, Solenoid
104	3421360	Chute Door Rod	128	3520390	Compression Fitting
105	4181230	Ice Chute/Water Nozzle Assembly	129	0167830	Solenoid Bracket
106	3411530	Ice Chute Cover	130	6200060	Screw, #8-32 x 1/2" Pan HD
107	6201270	Screw, #8-18 x 5/8" PH PN SS-Gnd	131	6201270	Screw, #8-18 x 5/8" PH PN SS-Gnd
108	6120120	Tube Clamp, 3/8" Stl w/nut	132	4200960	Door Dispenser Assembly
109	6200330	Screw, #8-18 x 3/8" Pan Head	133	6200850	Screw, #8 x 3/4" PH FH Hi-lo
110	6201270	Screw, #8-18 x 5/8" PH PN SS-Gnd	134	4160941	Ref. Front Panel Assy (See SN Breaks)
111	4202810	Cntrl Brd Pkg-Dual/Disp (See SN Breaks)		4161841	Ref. Front Panel Assy (See SN Breaks)
	4203530	Cntrl Brd Pkg-Dual/Disp(See SN Breaks)	135	3413380	Control Enclosure (See SN Breaks)
112	3050010	Light Socket, 3/4 Single (See SN Breaks)		3413810	Control Enclosure (See SN Breaks)
	3050220	Socket, Light Base Sngl (See SN Breaks)	136	6201270	Screw, #8-18 x 5/8" PH PN SS-Gnd
113	3030040	Light Bulb, Long/Narrow; 40 watt	137	3421270	Hinge Bearing, 3/8" x 5/8"
114	0169910	Bracket, Display Light (See SN Breaks)	138	0232770	Fan Bracket, Freezer (See SN Breaks)
	0212790	Bracket, Display Light (See SN Breaks)		0234360	Fan Bracket, Freezer (See SN Breaks)
115	0212270	Control Panel Retainer, Upper	139	4160932	Vertical Cntrl Pnl Assy (See SN Breaks)
116	0212280	Control Panel Retainer, Mid		4161462	Vertical Cntrl Pnl Assy (See SN Breaks)
117	3030070	Light Bulb, 7W	140	1801100	Heater Clip
118	0212290	Control Panel Retainer, Lower	141	4323190	Defrost Heater Assy (See SN Breaks)
119	0212410	Mullion Trough		4324500	Defrost Heater Assy (See SN Breaks)
120	4190160	Drain Trough Assembly (See SN Breaks)	142	4321820	Power Cord
	0260550	Drain Trough Assembly (See SN Breaks)	143	6110270	Bolt, #10-32 x 1/4" RD HD
121	6201270	Screw, #8-18 x 5/8" PH PN SS-Gnd	144	3520250	Water Inlet Fitting Assy
122	3024010	Heat Shrink Spray Cvr (Also order 6120180)	145	3140360	Fill Cup Plug
123	3520390	Compression Fitting	146	4323180	Glass Well Heater (See SN Breaks)
				4324680	Glass Well Heater (See SN Breaks)
			147	2604165	Water Inlet Line, Copper

690 MECHANICAL VIEW (2 of 2)



690 SEALED SYSTEM PARTS LIST

Ref #	Part #	Description
1	4202250	Compressor, Freezer (DA73) (See SN Breaks)
	4202280	Compressor, Freezer (EMI60HER) (See SN Breaks)
2	3111041	Relay, (PTH490D-AS100) (Used with DA73 Compressor)
	3111460	Relay, (1351408) (Used with EMI60HER Compressor)
	3111430	Overload, (4TM419MFB) (Used with DA73 Compressor)
	3111470	Overload, (4TM757NFB) (Used with EMI60HER Compressor)
	3111070	Running Capacitor, (12Mf) (Used with DA73 Compressor)
3	4251340	Heat Exchanger, Freezer
4	4201880	Compressor, Refrig. (EMI30HER)
5	3111370	Relay, (1351400 - For EMI30HER Comp)
	3111410	Overload, (4TM734LFB - For EMI30HER Comp)
6	4251300	Heat Exchanger, Refrigerator
7	3120330	Condenser, Dual
8	3014230	Filter-Drier, High Side
9	6120170	Locking Cable Tie, Red, 11-1/2"
10	0168040	Drier Bracket
11	6201270	Screw, #8-18 x 5/8" PH PN SS-Gnd
12	4211450	Fre Evap Assy (Incl heat exch. & electricals) (See SN Breaks)
	4211650	Fre Evap Assy (Incl heat exch. & electricals) (See SN Breaks)
13	6160030	Spacer, 5/16 x 7/16 x 5/8"
	6160070	Sleeve, 5/16 x 7/16 x 7/8"
14	6201270	Screw, #8-18 x 5/8" PH PN SS-Gnd
15	3130260	Evaporator, Refrig.
16	6201270	Screw, #8-18 x 5/8" PH PN SS-Gnd
17	2600138	Drain Pan Heater Loop
18	3421410	Drain Pan Heater Loop Support
19	6200010	Screw, #10-12 x 3/4" Pan HD
20	6200010	Screw, #10-12 x 3/4" Pan HD
21	6150220	Nut, 5/16-18 Hex Zinc
22	6240050	Flat Washer, 5/16"
23	3150010	Rubber Grommet, Small, 5/8"
	3150170	Rubber Grommet, Large, 15/16"
24	3014100	Suction Line Drier (Service Only)

690 SEALED SYSTEM VIEW

