



BI-30UG DOOR, GRILLE, TRIM PARTS LIST

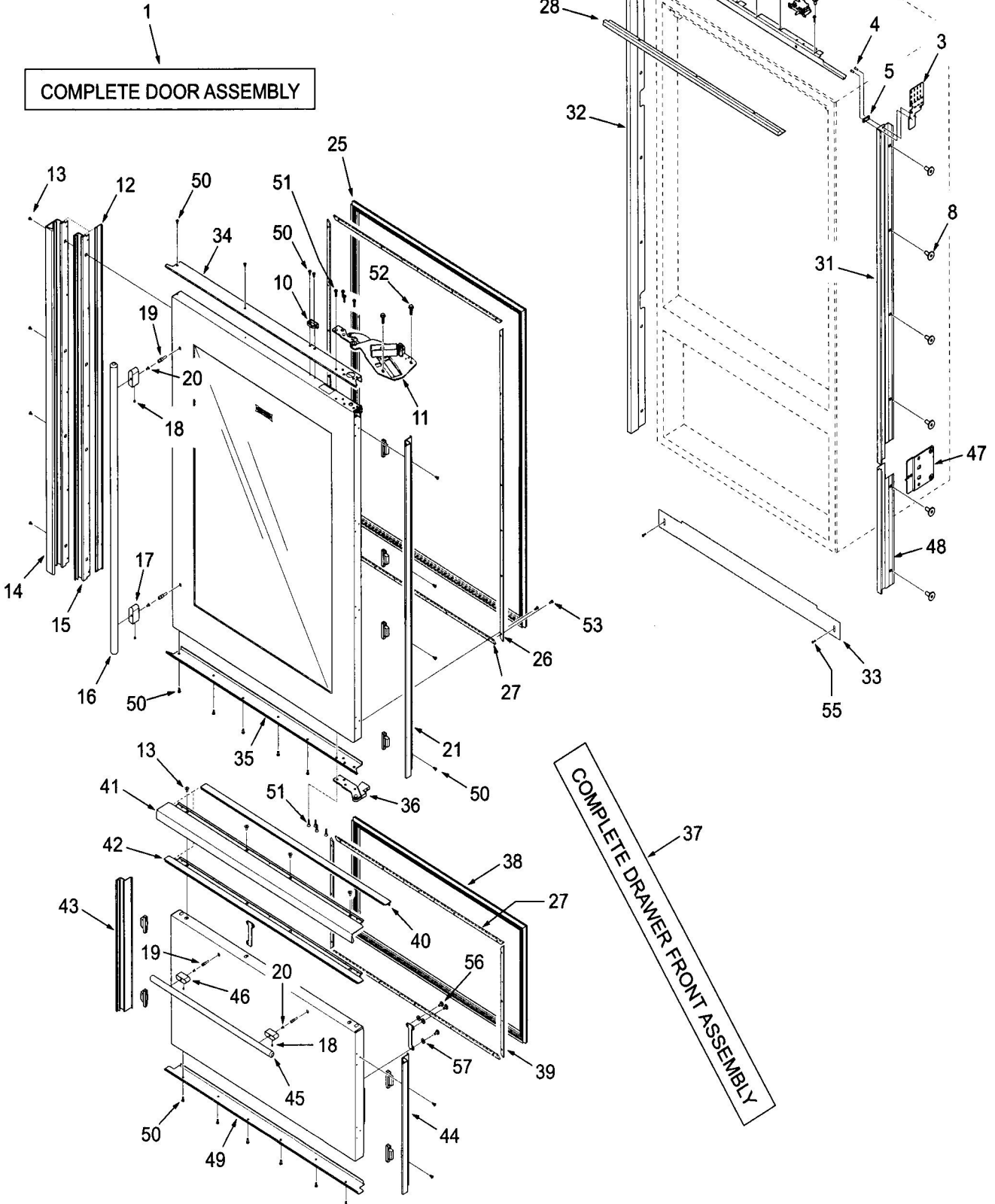
Ref #	Part #	Description	Ref #	Part #	Description
1	7009696	Door, Ref Glass LH-F/O 30UG Svce	31	7010975	Mainframe Assy, Rt Upper (RH Hinge)
	7009706	Door, Ref Glass RH-F/O 30UG Svce		7010976	Mainframe Assy, Lt Upper (LH Hinge)
	7009718	Door, Ref Glass RH-S 30UG Svce	32	7007262	Mainframe Assy, Right Side (LH Hinge)
	7009720	Door, Ref Glass LH-S 30UG Svce		7007263	Mainframe Assy, Left Side (RH Hinge)
	7009728	Door, Ref Glass LH-F/O 30UA Svce	33	7011011	Kickplate, Solid Black Svce
	7009738	Door, Ref Glass RH-F/O 30UA Svce		7011012	Kickplate, Solid Stainless Svce
	7009750	Door, Ref Glass RH-S 30UA Svce	34	7011007	Trim, Door Top RH Svce
	7009752	Door, Ref Glass LH-S 30UA Svce		7011009	Trim, Door Top LH Svce
NOTE: Door Assemblies do NOT incl. hinges / handles.			35	7011008	Trim, Door Bot RH Svce
2	7007261	Bracket, Grille LH Svce (Includes Support & Rivets)		7011010	Trim, Door Bot LH Svce
3	7007260	Bracket, Grille RH Svce (Includes Support & Rivets)	36	7010287	Hinge, Mid U RH Svce
4	7005254	Rivet, Semi-Tubular .180 X .280		7010288	Hinge, Mid U LH Svce
5	7001150	Bracket, Frame Support	37	7009654	Drawer, Fre-F/O 30U/UG/UA Svce
6	7007259	Switch Assy, Svce		7009684	Drawer, Fre-S 30U/UG/UA Svce
7	7001277	Screw, Machine #10-24X1/4	NOTE: Drawer Assemblies do NOT include handles.		
8	6201550	Screw, #8-18 X 1/2 Low Profile	38	7010983	Gasket, Drawer 30 Svce
9	6201890	Screw, #8-15X3/8 6-Lobe Trhd	39	7010984	Retainer, Gasket Door Svce (~ 17")
10	7010943	Depressor,Door Switch Svce(SS Door)	40	7010190	Drawer Screw Cover 30 Svce
	7011201	Depressor,Door Switch Svce(F/O Door)	41	7010200	Hndle,Framed Dwr 30 Svce (Framed)
11	7010285	Hinge Assy, Top RH Low Svce	42	7010211	Trim, Drawer Top 30 Svce (Overlay)
	7010286	Hinge Assy, Top LH Low Svce	43	7010987	Trim, Drawer Side Svce
12	7010188	Door, Screw Cover 50 Svce	44	7010987	Trim, Drawer Side Svce
13	6201550	Screw, #8-18 X 1/2 Low Profile	45	7010999	Handle Assy, Tubular 24.312 Svce
14	7010197	Hndle,Framed Door 50 Svce (Framed)		7011001	Handle Assy, PRO 21 Svce
15	7010207	Trim, Door Handle 50 Svce (Overlay)		7011003	Handle Assy, Curved 25.25 Svce
16	7010968	Handle Assy, Tubular 44.25 Svce	46	NA	For Tubular, See 7010999
	7010970	Handle Assy, PRO 37.5 Svce		NA	For PRO, See 7011001
	7010972	Handle Assy, Curved 45.188 Svce		NA	For Curved, See 7011003
17	NA	For Tubular, See 7010968	47	7010988	Hinge, Side Plate RH Svce
	NA	For PRO, See 7010970		7010989	Hinge, Side Plate LH Svce
	NA	For Curved, See 7010972	48	7010980	Frame, Main Side Right Lwr(RH Hinge)
18	6110730	Screw, Set #10-32X1/4 SS, Cone		7010981	Frame, Main Side Left Lwr (LH Hinge)
19	3511520	Stud, Mounting	49	7010986	Trim, Drawer Bot Svce
20	6111090	Bolt, #10-24X1/2 (Tubular & Pro)	50	7004170	Screw, #8X18X1/2 6-Lobe TRHD
	6111020	Screw, #10-24X3/8 FI Hd (Curved)	51	7001264	Screw, 1/4-20X3/4 #10 Hex Ft Hd
21	7012427	Trim, RH Door Hinge Side Svce	52	6110460	Tensilock Bolt, 5/16-18 x 1-1/4"
	7012428	Trim, LH Door Hinge Side Svce	53	7012994	Screw, #8X.813 Ph AB
22	NA		54	7003597	Screw, #10-32X3/8, 6 Lobe Tr
23	NA		55	6200050	Screw, #10-12 x 1/2" Pan HD
24	NA		56	6110980	Cap Screw,1/4-20X3/4 Button HD
25	7011004	Gasket, Door Svce	57	6240340	Washer,Flat 1/4X5/8 X .045 SS
26	7010974	Retainer, Gasket Door Svce (~ 48")	NOT PICTURED:		
27	7011005	Retainer, Door Gasket Svce (~ 27")	58	7011110	W/H, RH Glass Door Svce (From door to Control)
28	7011006	Trim, Cabinet Top Svce	59	7011111	W/H, LH Glass Door Svce (From door to Control)
29	7011013	Frame, Cabinet Top RH Svce	60	7012209	Kit, Door Panel Clips Svce (Qty 14 Clips - for Metal Front Panels)
	7011014	Frame, Cabinet Top LH Svce	61	7013234	Threaded Insert, Install Svce
30	7007127	Grille, Framed 30 Svce	62	7013560	Hinge, Grille Assy RH Svce
	7007131	Grille, Stainless 30 Svce		7013561	Hinge, Grille Assy LH Svce
	7007135	Grille, Overlay 30 Svce			
	7013560	Hinge, Grille Assy RH Svce			
	7013561	Hinge, Grille Assy LH Svce			

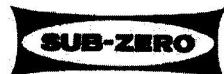


BI-30UG DOOR, GRILLE, TRIM VIEW

NOT PICTURED:

- 58 Wire Harness, Right-Hand Glass Door to Control
- 59 Wire Harness, Left-Hand Glass Door to Control
- 60 Sales Acc. Metal Front Panel Clips (14) Kit
- 61 Threaded Insert for Hinge Bolt, with Tool
- 62 Hinges for Grille





BI-30UG REFRIGERATOR INTERIOR PARTS LIST

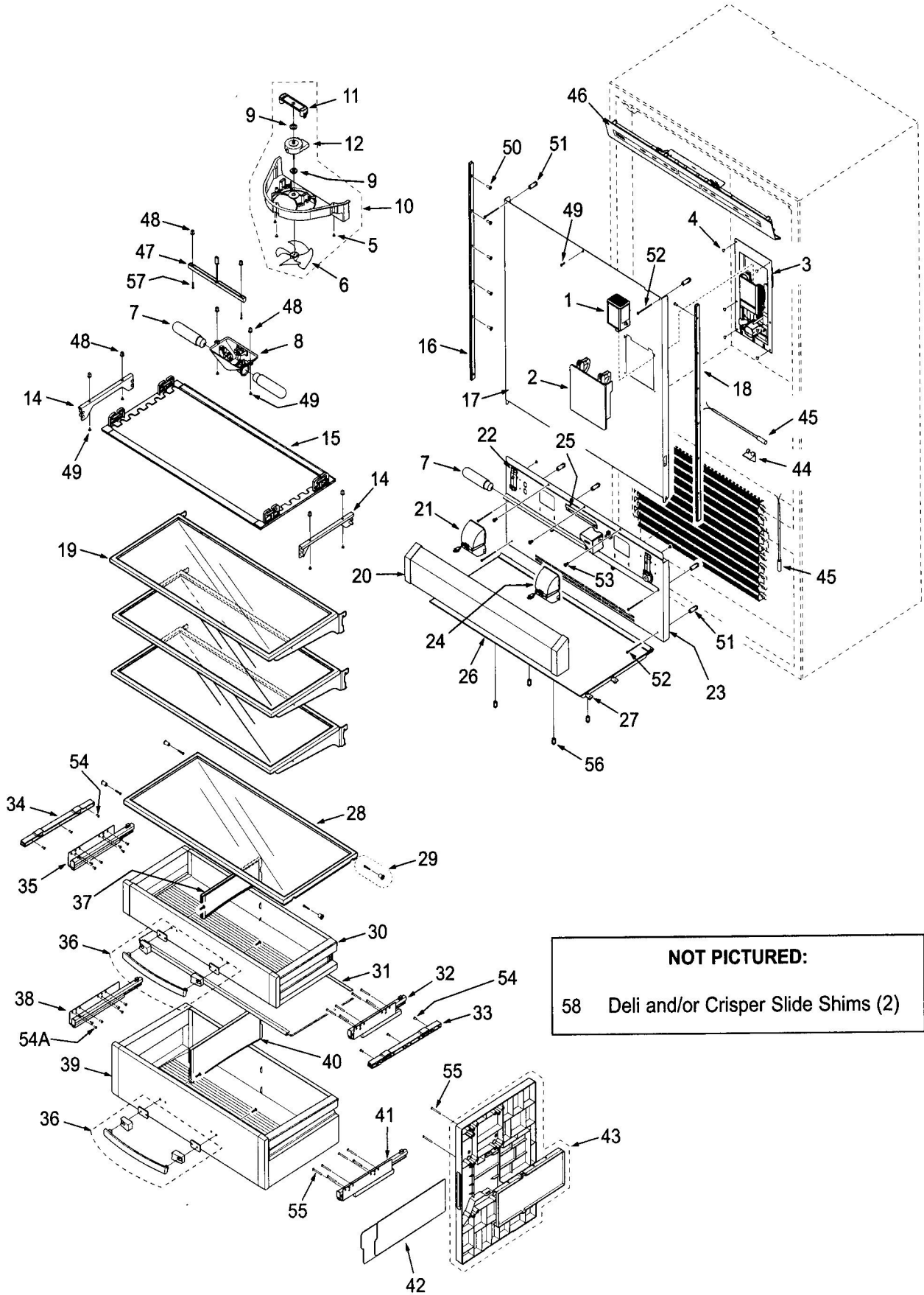
Ref #	Part #	Description	Ref #	Part #	Description
1	7007023	Cartridge, Air Purifier Svce	31	7010439	Glass, Crisper Cover Svce
2	7007021	Door Assy, Air Purifier Svce		7011091	Seal, Crisper Front Svce
3	7007022	Pocket Assy, Air Purifier Svce		7011092	Seal, Crisper Rear Svce
4	6201890	Screw, #8-15X3/8 6 Lobe TR HD	32	7007056	Slide, Drawer RH Svce
5	6201890	Screw, #8-15X3/8 6 Lobe Tr Hd	33	7006975	Support, Crisper Cover RH Svce
6	7011058	Fan Blade, White Svce	34	7007053	Support, Crisper Cover LH Svce
7	7006999	Lamp, Blue Glass Svce	35	7007057	Slide, Drawer LH Svce
8	7006997	Light Assy, Dual w/T Dom Svce	36	7011094	Handle Assy, Drawer Svce
	7007044	Lampholder, Angle Dom Svce	37	7011081	Divider, Deli Svce
9	7005046	Grommet, Motor Fan	38	7007055	Slide, Drawer LH Svce
10	7010508	Fan Assy, Evap Svce	39	7010441	Crisper Assy, Svce
11	7012008	Bracket, Evaporator Fan SVCE	40	7011080	Divider, Crisper Svce
12	7012007	Motor, Evap Fan SVCE	41	7007054	Slide, Drawer LH Svce
13	NA		42	7007060	Card, Consumer Use & Care Svce
14	7007048	Bracket, Light Diffuser Svce	43	7009375	Crisper Assy, Spacer LH Svce
15	7009600	Diffuser Assy, Light Svce		7009376	Crisper Assy, Spacer RH Svce
16	7009364	Shelf Ladder, LH Svce	44	7007030	Bracket, Thermistor Svce
17	7010302	Duct Assy, Ref Upper Svce	45	4204740	Therm Assy, Svce
18	7009363	Shelf Ladder, RH Svce	46	7009867	Panel, CL 30UG Svce
19	7010355	Shelf, Glass Cantilever Svce	47	7010352	Light Assy, Accent Svce
20	7010431	Cover, Crisper Light Svce	48	6220220	Screw Grommet, 1/32 x 3/8" SQ
21	7007034	Duct, Fan Left Svce	49	6201890	Screw, #8-15X3/8, 6 Lobe Trhd
22	7007040	Support, Crisper Cover Svce	50	7004169	Screw, #8-18X1/2, 6 Lobe Fill Hd
23	7010304	Duct Assy, Ref Lower RH Svce	51	6220540	Screw Grommet/Stand-off, 1.375
	7011506	Duct Assy, Lower LH Svce	52	7006016	Screw, #8-16X1-1/2, 6 Lobe SS
24	7007036	Duct, Fan Right Svce	53	6180330	Rivet, Plastic 1/4 DIA
25	7007033	Retainer, Wire Raceway Svce	54	7006281	Screw, #8-18X5/8, 6 Lobe Trhd
26	7010306	Duct Assy, Ref Bottom Svce	54A	7014262	Screw, #8-32X3/4, 6 Lobe Trhd
27	7004161	Clip, Crisper Duct	55	7014263	Screw, #8-32X1-3/4, 6 Lobe Trhd
28	7011093	Shelf, Crisper Svce	56	7004184	Standoff, Nylon, .5"
29	7003167	Standoff, Fixed Shelf Ref	57	6201910	Screw, #6-20X3/4, 6 Lobe Pan Hd
30	7010440	Deli Assy, Svce			

NOT PICTURED:

58	7011444	Shim, Slide Svce (Qty 2 per) (For Ref Deli and Crisper Slides)
----	---------	---



BI-30UG REFRIGERATOR INTERIOR VIEW



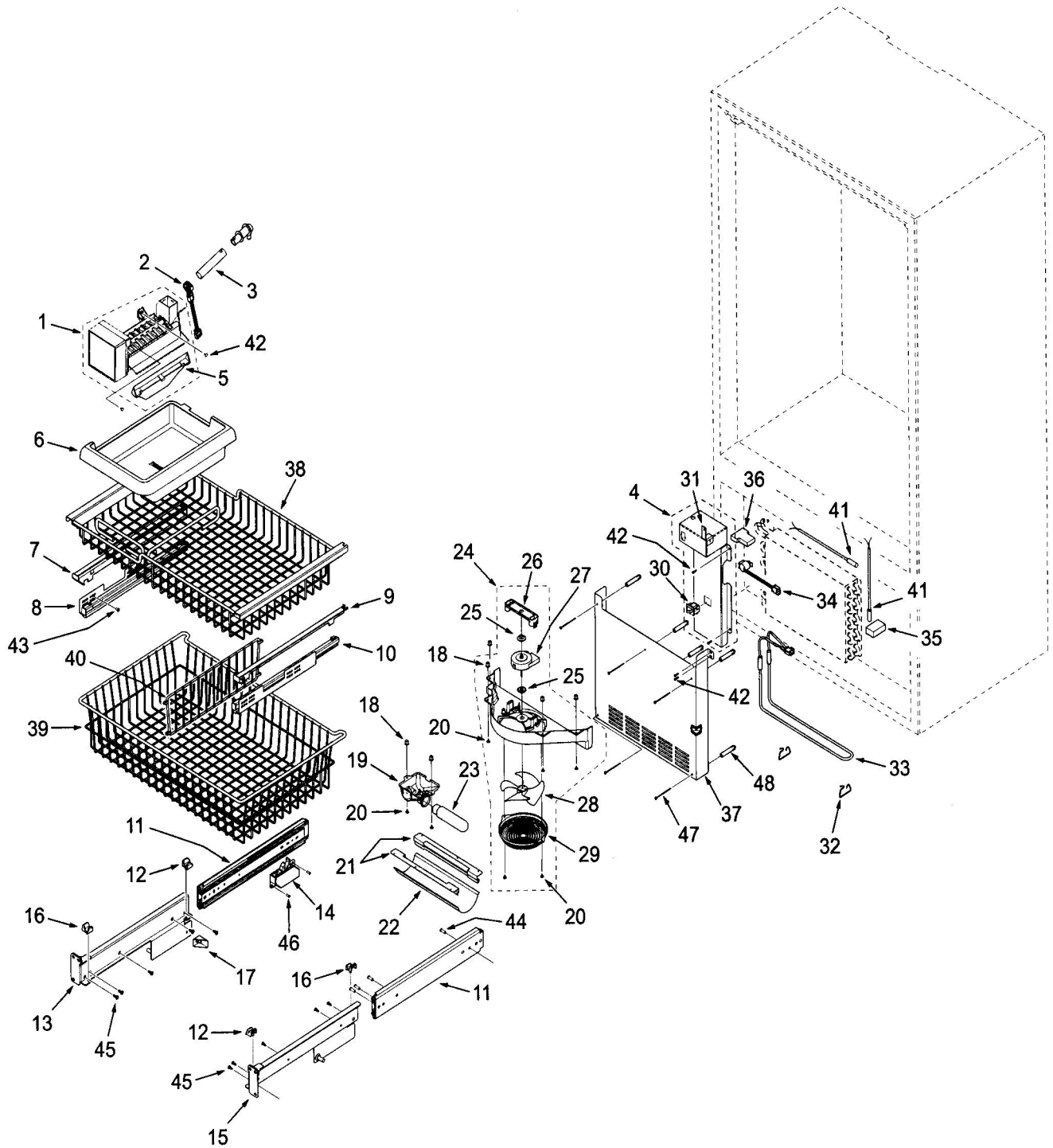


BI-30UG FREEZER INTERIOR PARTS LIST

Ref #	Part #	Description	Ref #	Part #	Description
1	7009437	Icemaker, Assy Long Arm Svce	24	7009378	Fan Assy, Evap Svce
2	7009435	Heater, Fill Tube Svce	25	7005046	Grommet, Motor Fan
3	7009434	Tube, Fill Svce	26	7012008	Bracket, Evaporator Fan Svce
4	7011207	Cover Assy, Wire Svce (includes W/H)	27	7012007	Motor, Evap Fan Svce
5	7009436	Arm, Icemaker Svce	28	7011058	Fan Blade, White Svce
6	7009438	Bin, Icemaker Svce	29	7011171	Guard, Fan Svce
7	7011163	Retainer, Upper Basket LH Svce	30	3060140	Switch, Light
8	7009392	Slide Assy, Fre Basket LH Svce	31	7009433	Bracket, icemaker Svce
9	7011162	Retainer, Upper Basket RH Svce	32	7005253	Clip, Defrost Heater
10	7009391	Slide Assy, Fre Basket RH Svce	33	7009385	Heater, Defrost Svce
11	7011173	Slide Assy, Full Extension Svce	34	7011174	Switch, Defrost Terminator Svce
12	7009399	Retainers, Lwr Fre Basket Svce (4)	35	7009386	Block,Evap Foam Svce (incl, LH & RH)
13	7009400	Support, Assy Left Svce	36	7009386	Block,Evap Foam Svce (incl, LH & RH)
14	7009401	Closer, Drawer LH Svce	37	7009390	Duct Assy, Fre Svce
15	7009398	Support, Assy Right Svce	38	7010308	Basket, Fre Upper Svce
16	7009399	Retainers, Lwr Fre Basket Svce (4)	39	7010311	Basket, Fre Lower Svce
17	7002646	Depressor, Switch	40	7011170	Divider, Lower Basket Svce
18	6220220	Screw, Grommet 1/32X3/8 Sq	41	4204740	Therm Assy, Svce
19	7009429	Bracket Assy, 1 LT (T)DOM Svce	42	6201930	Screw, 8-18 X 5/8 6-Lobe PH
	7007044	Lampholder, Angle Dom Svce	43	7006750	Screw, #10-24X3/8 UC, FI Hd
20	6201890	Screw, #8-15X3/8 6 Lobe Tr Hd	44	7006752	Screw, 1/4-20X3/4, 6-Lobe FI Hd
21	7009431	Retainer, Light Diffuser Svce	45	7004170	Screw, #8-18X1/2, 6 Lobe Trhd
22	7009430	Diffuser, Fre Lower LT Svce	46	6110030	Bolt, #10-24 x 1/2", Round Head
23	7006999	Lamp, Blue Glass Svce	47	6201980	Screw, #8-15X 2-3/4 6-Lobe PH
			48	7004215	Standoff, Nylon 2.06"

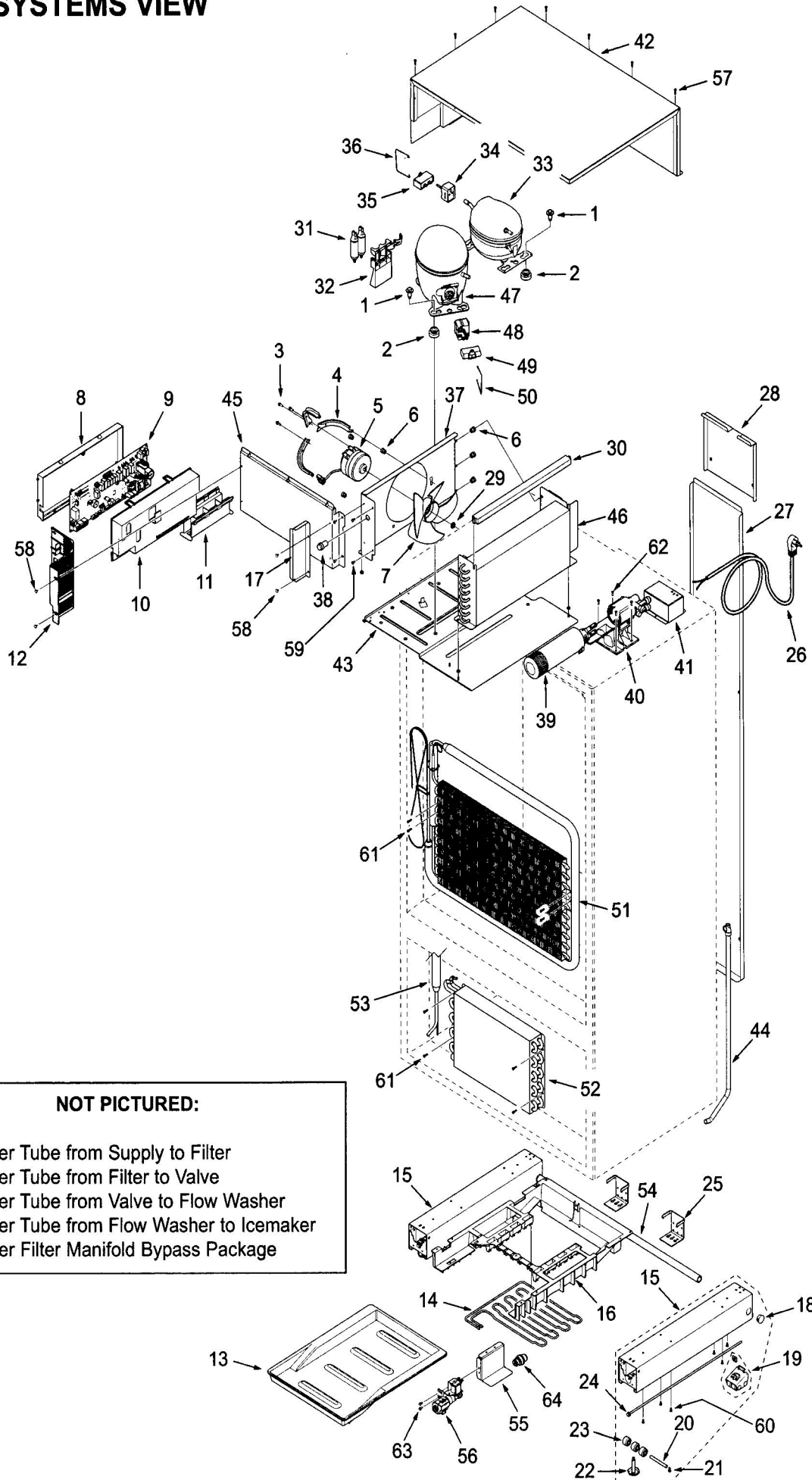


BI-30UG FREEZER INTERIOR VIEW





BI-30UG SYSTEMS VIEW



NOT PICTURED:

- 65 Water Tube from Supply to Filter
- 66 Water Tube from Filter to Valve
- 67 Water Tube from Valve to Flow Washer
- 68 Water Tube from Flow Washer to Icemaker
- 69 Water Filter Manifold Bypass Package