



BI-30U DOOR, GRILLE, TRIM PARTS LIST

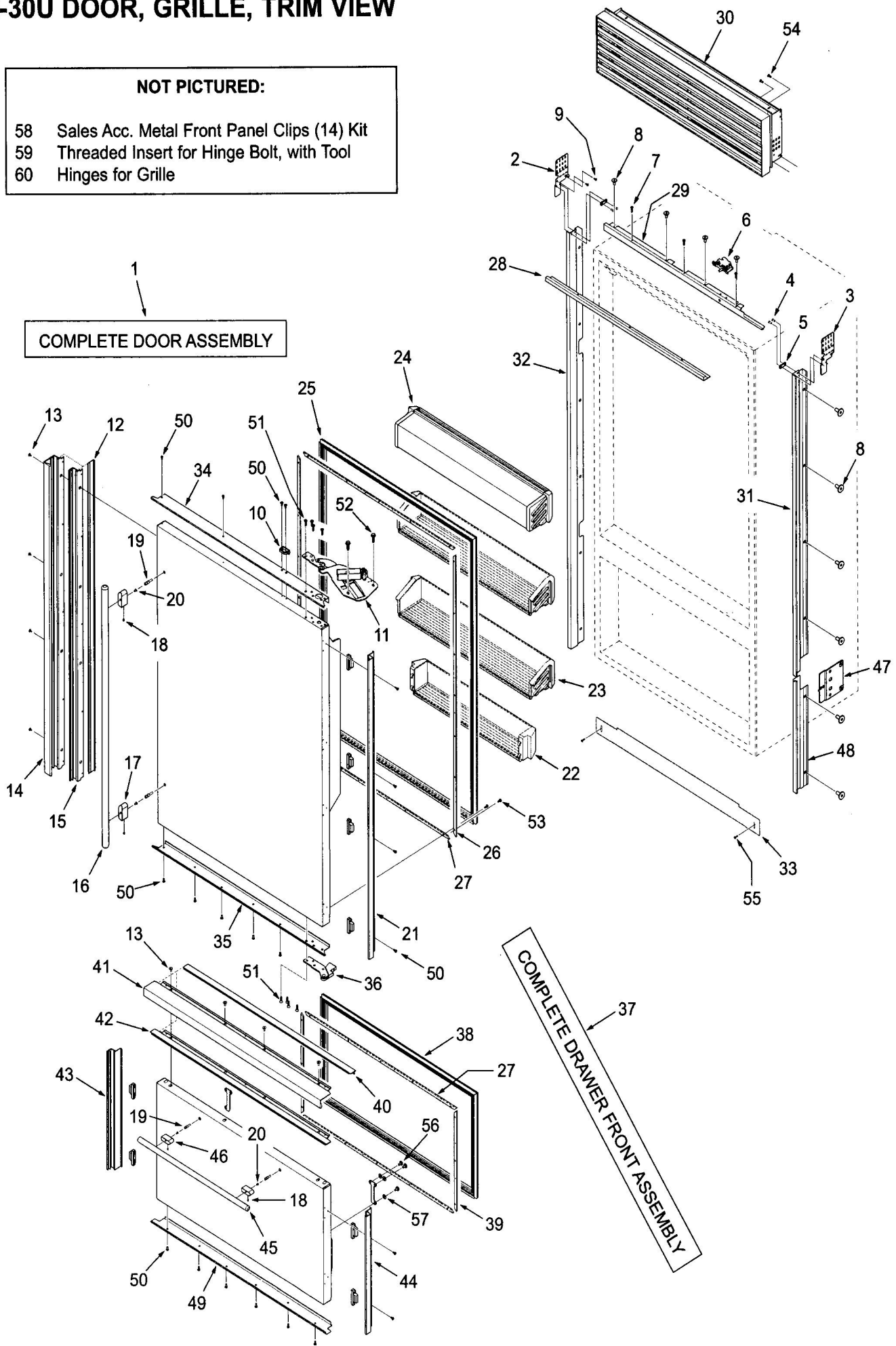
Ref #	Part #	Description	Ref #	Part #	Description
1	7009656	Door, Ref RH-F/O 30U Svce	31	7010975	Mainframe Assy, Rt Upper (RH Hinge)
	7009658	Door, Ref LH-F/O 30U Svce		7010976	Mainframe Assy, Lt Upper (LH Hinge)
	7009686	Door, Ref RH-S 30U Svce	32	7007262	Mainframe Assy, Right Side (LH Hinge)
	7009688	Door, Ref LH-S 30U Svce		7007263	Mainframe Assy, Left Side (RH Hinge)
NOTE: Door Assemblies do NOT incl. hinges / handles.			33	7011011	Kickplate, Solid Black Svce
2	7007261	Bracket, Grille LH Svce (Includes Support & Rivets)		7011012	Kickplate, Solid Stainless Svce
3	7007260	Bracket, Grille RH Svce (Includes Support & Rivets)	34	7011007	Trim, Door Top RH Svce
4	7005254	Rivet, Semi-Tubular .180 X .280		7011009	Trim, Door Top LH Svce
5	7001150	Bracket, Frame Support	35	7011008	Trim, Door Bot RH Svce
6	7007259	Switch Assy, Svce		7011010	Trim, Door Bot LH Svce
7	7001277	Screw, Machine #10-24X1/4	36	7010287	Hinge, Mid U RH Svce
8	6201550	Screw, #8-18 X 1/2 Low Profile		7010288	Hinge, Mid U LH Svce
9	6201890	Screw, #8-15X3/8 6-Lobe Trhd	37	7009654	Drawer, Fre-F/O 30U/UG/UA Svce
10	7010943	Depressor, Door Switch Svce(SS Door)		7009684	Drawer, Fre-S 30U/UG/UA Svce
	7011201	Depressor, Door Switch Svce(F/O Door)	NOTE: Drawer Assemblies do NOT include handles.		
11	7010285	Hinge Assy, Top RH Low Svce	38	7010983	Gasket, Drawer 30 Svce
	7010286	Hinge Assy, Top LH Low Svce	39	7010984	Retainer, Gasket Door Svce (~ 17")
12	7010188	Door, Screw Cover 50 Svce	40	7010190	Drawer Screw Cover 30 Svce
13	6201550	Screw, #8-18 X 1/2 Low Profile	41	7010200	Hndle, Framed Dwr 30 Svce (Framed)
14	7010197	Hndle, Framed Door 50 Svce (Framed)	42	7010211	Trim, Drawer Top 30 Svce (Overlay)
15	7010207	Trim, Door Handle 50 Svce (Overlay)	43	7010987	Trim, Drawer Side Svce
16	7010968	Handle Assy, Tubular 44.25 Svce	44	7010987	Trim, Drawer Side Svce
	7010970	Handle Assy, PRO 37.5 Svce	45	7010999	Handle Assy, Tubular 24.312 Svce
	7010972	Handle Assy, Curved 45.188 Svce		7011001	Handle Assy, PRO 21 Svce
17	NA	For Tubular, See 7010968		7011003	Handle Assy, Curved 25.25 Svce
	NA	For PRO, See 7010970	46	NA	For Tubular, See 7010999
	NA	For Curved, See 7010972		NA	For PRO, See 7011001
	NA	For Curved, See 7010972		NA	For Curved, See 7011003
18	6110730	Screw, Set #10-32X1/4 SS, Cone	47	7010988	Hinge, Side Plate RH Svce
19	3511520	Stud, Mounting		7010989	Hinge, Side Plate LH Svce
20	6111090	Bolt, #10-24X1/2 (Tubular & Pro)	48	7010980	Frame, Main Side Right Lwr (RH Hinge)
	6111020	Screw, #10-24X3/8 Fl Hd (Curved)		7010981	Frame, Main Side Left Lwr (LH Hinge)
21	7010966	Trim, Door Hinge Side Svce	49	7010986	Trim, Drawer Bot Svce
22	7010673	Shelf Assy, Door Shallow Svce	50	7004170	Screw, #8X18X1/2 6-Lobe TRHD
23	7010665	Shelf Assy, Door Standard Svce	51	7001264	Screw, 1/4-20X3/4 #10 Hex Ft Hd
24	7010677	Shelf Assy, Door Dairy Svce	52	6110460	Tensilock Bolt, 5/16-18 x 1-1/4"
25	7011004	Gasket, Door Svce	53	7012994	Screw, #8X.813 Ph AB
26	7010974	Retainer, Gasket Door Svce (~ 48")	54	7003597	Screw, #10-32X3/8, 6 Lobe Tr
27	7011005	Retainer, Door Gasket Svce (~ 27")	55	6200050	Screw, #10-12 x 1/2" Pan HD
28	7011006	Trim, Cabinet Top Svce	56	6110980	Cap Screw, 1/4-20X3/4 Button HD
29	7011013	Frame, Cabinet Top RH Svce	57	6240340	Washer, Flat 1/4X5/8 X .045 SS
	7011014	Frame, Cabinet Top LH Svce	NOT PICTURED:		
30	7007127	Grille, Framed 30 Svce	58	7012209	Kit, Door Panel Clips Svce (Qty 14 Clips - for Metal Front Panels)
	7007131	Grille, Stainless 30 Svce	59	7013234	Threaded Insert, Install Svce
	7007135	Grille, Overlay 30 Svce	60	7013560	Hinge, Grille Assy RH Svce
	7013560	Hinge, Grille Assy RH Svce		7013561	Hinge, Grille Assy LH Svce
	7013561	Hinge, Grille Assy LH Svce			

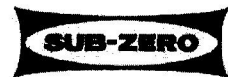


BI-30U DOOR, GRILLE, TRIM VIEW

NOT PICTURED:

- 58 Sales Acc. Metal Front Panel Clips (14) Kit
- 59 Threaded Insert for Hinge Bolt, with Tool
- 60 Hinges for Grille





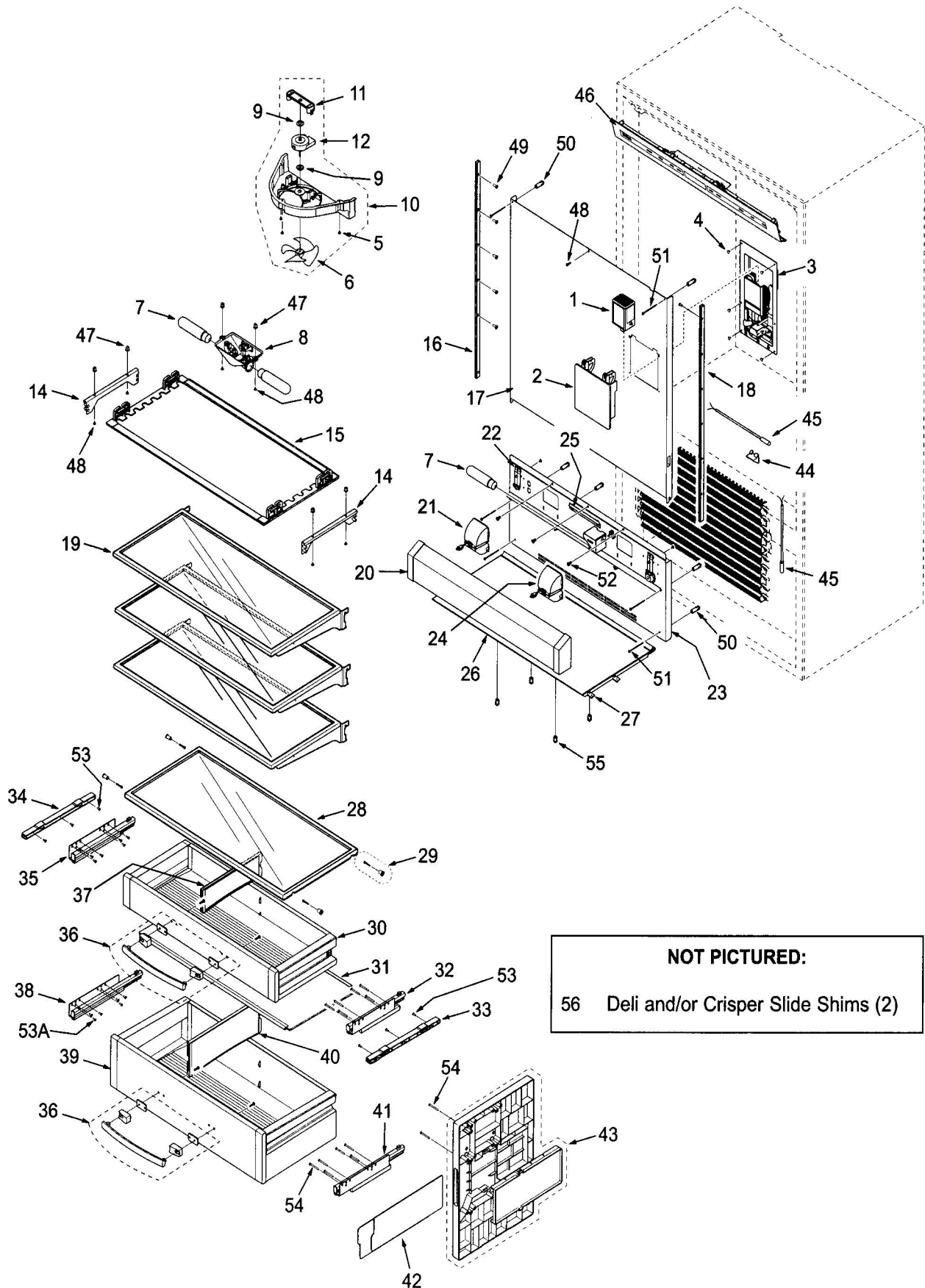
BI-30U REFRIGERATOR INTERIOR PARTS LIST

Ref #	Part #	Description	Ref #	Part #	Description
1	7007023	Cartridge, Air Purifier Svce	31	7010439	Glass, Crisper Cover Svce
2	7007021	Door Assy, Air Purifier Svce		7011091	Seal, Crisper Front Svce
3	7007022	Pocket Assy, Air Purifier Svce		7011092	Seal, Crisper Rear Svce
4	6201890	Screw, #8-15X3/8 6 Lobe TR HD	32	7007056	Slide, Drawer RH Svce
5	6201890	Screw, #8-15X3/8 6 Lobe Tr Hd	33	7006975	Support, Crisper Cover RH Svce
6	7011058	Fan Blade, White Svce	34	7007053	Support, Crisper Cover LH Svce
7	7006999	Lamp, Blue Glass Svce	35	7007057	Slide, Drawer LH Svce
8	7006997	Light Assy, Dual w/T Dom Svce	36	7011094	Handle Assy, Drawer Svce
	7007044	Lampholder, Angle Dom Svce	37	7011081	Divider, Deli Svce
9	7005046	Grommet, Motor Fan	38	7007055	Slide, Drawer LH Svce
10	7010508	Fan Assy, Evap Svce	39	7010441	Crisper Assy, Svce
11	7012008	Bracket, Evaporator Fan SVCE	40	7011080	Divider, Crisper Svce
12	7012007	Motor, Evap Fan SVCE	41	7007054	Slide, Drawer LH Svce
13	NA		42	7007060	Card, Consumer Use & Care Svce
14	7007048	Bracket, Light Diffuser Svce	43	7009375	Crisper Assy, Spacer LH Svce
15	7009600	Diffuser Assy, Light Svce		7009376	Crisper Assy, Spacer RH Svce
16	7009364	Shelf Ladder, LH Svce	44	7007030	Bracket, Thermistor Svce
17	7010302	Duct Assy, Ref Upper Svce	45	4204740	Therm Assy, Svce
18	7009363	Shelf Ladder, RH Svce	46	7009859	Panel, CL 30U;48S,D Svce
19	7010437	Shelf, Cantilever Svce	47	6220220	Screw Grommet, 1/32 x 3/8" SQ
20	7010431	Cover, Crisper Light Svce	48	6201890	Screw, #8-15X3/8, 6 Lobe Trhd
21	7007034	Duct, Fan Left Svce	49	7004169	Screw, #8-18X1/2, 6 Lobe Fill Hd
22	7007040	Support, Crisper Cover Svce	50	6220540	Screw Grommet/Stand-off, 1.375
23	7010304	Duct Assy, Ref Lower RH Svce	51	7006016	Screw, #8-16X1-1/2, 6 Lobe SS
	7011506	Duct Assy, Lower LH Svce	52	6180330	Rivet, Plastic 1/4 DIA
24	7007036	Duct, Fan Right Svce	53	7006281	Screw, #8-18X5/8, 6 Lobe Trhd
25	7007033	Retainer, Wire Raceway Svce	53A	7014262	Screw, #8-32X3/4, 6 Lobe Trhd
26	7010306	Duct Assy, Ref Bottom Svce	54	7014263	Screw, #8-32X1-3/4, 6 Lobe Trhd
27	7004161	Clip, Crisper Duct	55	7004184	Standoff, Nylon, .5"
28	7011093	Shelf, Crisper Svce			
29	7003167	Standoff, Fixed Shelf Ref			
30	7010440	Deli Assy, Svce			

NOT PICTURED:

56	7011444	Shim, Slide Svce (Qty 2 per) (For Ref Deli and Crisper Slides)
----	---------	---

BI-30U REFRIGERATOR INTERIOR VIEW



NOT PICTURED:
56 Deli and/or Crisper Slide Shims (2)



BI-30U FREEZER INTERIOR PARTS LIST

<u>Ref #</u>	<u>Part #</u>	<u>Description</u>	<u>Ref #</u>	<u>Part #</u>	<u>Description</u>
1	7009437	Icemaker, Assy Long Arm Svce	24	7009378	Fan Assy, Evap Svce
2	7009435	Heater, Fill Tube Svce	25	7005046	Grommet, Motor Fan
3	7009434	Tube, Fill Svce	26	7012008	Bracket, Evaporator Fan Svce
4	7011207	Cover Assy, Wire Svce (includes W/H)	27	7012007	Motor, Evap Fan Svce
5	7009436	Arm, Icemaker Svce	28	7011058	Fan Blade, White Svce
6	7009438	Bin, Icemaker Svce	29	7011171	Guard, Fan Svce
7	7011163	Retainer, Upper Basket LH Svce	30	3060140	Switch, Light
8	7009392	Slide Assy, Fre Basket LH Svce	31	7009433	Bracket, icemaker Svce
9	7011162	Retainer, Upper Basket RH Svce	32	7005253	Clip, Defrost Heater
10	7009391	Slide Assy, Fre Basket RH Svce	33	7009385	Heater, Defrost Svce
11	7011173	Slide Assy, Full Extension Svce	34	7011174	Switch, Defrost Terminator Svce
12	7009399	Retainers, Lwr Fre Basket Svce (4)	35	7009386	Block,Evap Foam Svce (incl, LH & RH)
13	7009400	Support, Assy Left Svce	36	7009386	Block,Evap Foam Svce (incl, LH & RH)
14	7009401	Closer, Drawer LH Svce	37	7009390	Duct Assy, Fre Svce
15	7009398	Support, Assy Right Svce	38	7010308	Basket, Fre Upper Svce
16	7009399	Retainers, Lwr Fre Basket Svce (4)	39	7010311	Basket, Fre Lower Svce
17	7002646	Depressor, Switch	40	7011170	Divider, Lower Basket Svce
18	6220220	Screw, Grommet 1/32X3/8 Sq	41	4204740	Therm Assy, Svce
19	7009429	Bracket Assy, 1 LT (T)DOM Svce	42	6201930	Screw, 8-18 X 5/8 6-Lobe PH
	7007044	Lampholder, Angle Dom Svce	43	7006750	Screw, #10-24X3/8 UC, FI Hd
20	6201890	Screw, #8-15X3/8 6 Lobe Tr Hd	44	7006752	Screw, 1/4-20X3/4, 6-Lobe FI Hd
21	7009431	Retainer, Light Diffuser Svce	45	7004170	Screw, #8-18X1/2, 6 Lobe Trhd
22	7009430	Diffuser, Fre Lower LT Svce	46	6110030	Bolt, #10-24 x 1/2", Round Head
23	7006999	Lamp, Blue Glass Svce	47	6201980	Screw, #8-15X 2-3/4 6-Lobe PH
			48	7004215	Standoff, Nylon 2.06"

BI-30U SYSTEMS PARTS LIST



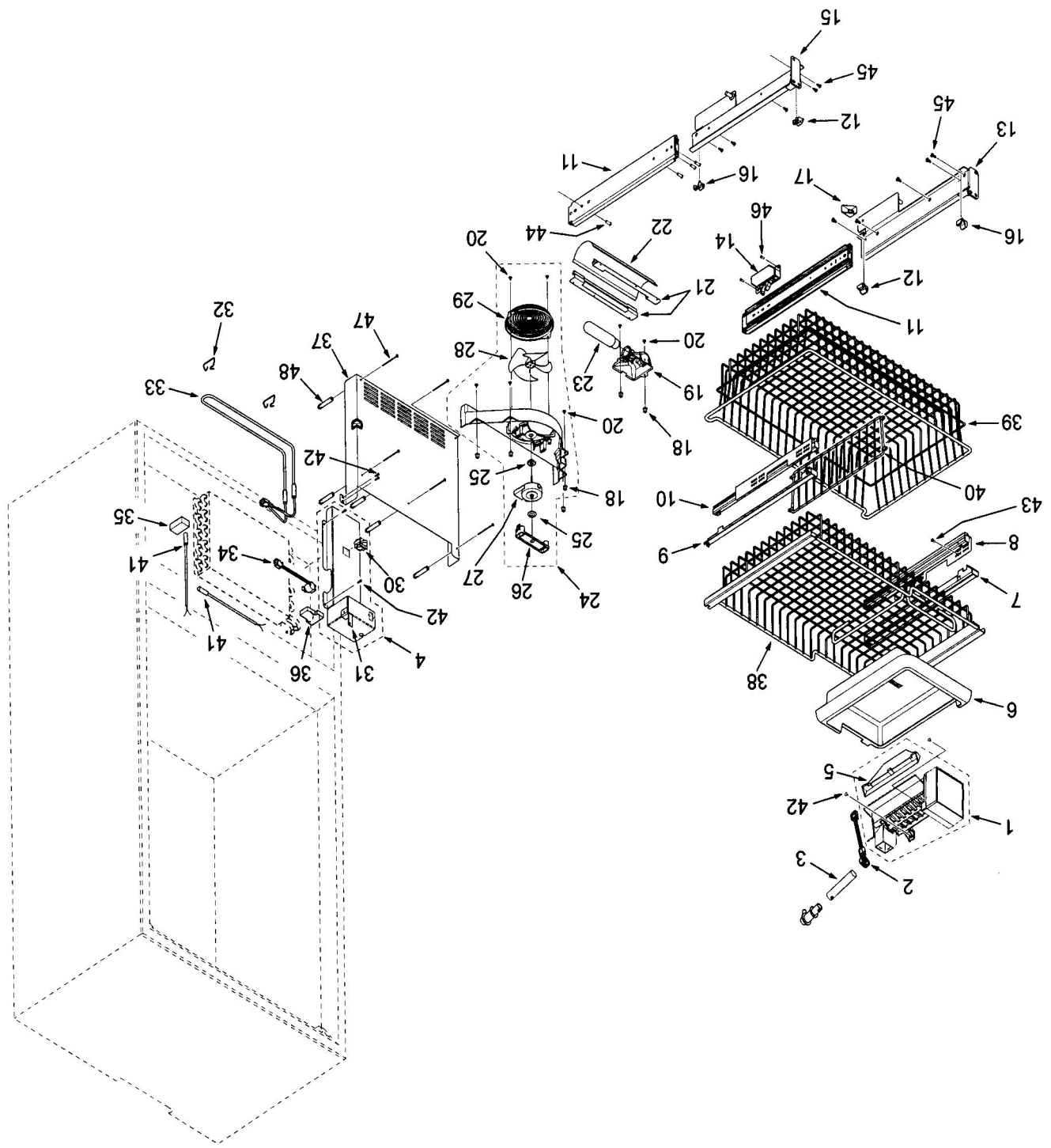
Built-In (BI) Series

Part Lists & Exploded Views

Ret #	Part #	Description	Ret #	Part #	Description
1	7002076	Screw, Comp Mounting	40	7007862	Manifold, Water Filter Svce
2	3150010	Mount, Rubber #70456-1	41	7006978	Cover, Power Cord DOM Svce
3	6201580	Screw, #8-36 X 1/2 Nylon Patch	42	7011255	Shroud Assy, Unit Svce
4	7011248	Bracket, Cond Fan Motor Svce	43	7010300	Unit Tray, Svce
5	4200740	Motor Pkg, Cond Fan	44	7012421	Tube, Drain Svce
6	3220360	Grommet, Mtg Brkt	45	7011256	Shroud Assy, Compressor Svce
7	7006971	Fan Blade, Condenser Svce	46	7009442	Condenser, Assy Svce
8	7006984	Enclosure, Control Board Svce	47	7009446	Compressor Assy, EGX60HLC Svce
9	7018446	Control Assy, Board Svce	48	7011254	Electricals, EGX60HLC TSD Svce
10	7006976	Cover, Control Housing Svce	49	7005578	Capacitor, 12Mf Svce
11	7006955	Support, Control Board Svce	50	7011277	Clip, TSD Electricals Svce
12	7006956	Grille, Control Area Svce	51	7009366	Evap, Ref Svce
13	7006979	Drain Pan, Svce	52	7010301	Evap Assy, Ref Svce (Incl Heat Exch)
14	7006990	Heater, Drain Pan Svce	53	7009379	Evap, Fre Svce
15	7006982	Base Assy, Cabinet Svce	54	7009383	Evap Assy, Fre Svce (Evap & Heat Ex)
16	7006980	Support, Drain Pan Svce	55	7011259	Bar, Anti-Tip Svce
17	7006969	Divider, Air Svce	56	7011300	Bracket, Water Valve Svce
18	7003021	Plug, 7/8 Nyl hole Black	57	7007865	Valve, Water Single Svce
19	7006985	Bracket Assy, Cabinet Roller Svce	58	6200330	Screw, #8-18 x 3/8" Pan Head
20	3550560	Straight Pin, Base Assy - .312" x 2.88"	59	6201890	Screw, #8-15X3/8, 6 Lobe Thrd
21	3450620	Clip, Canoe	60	6201670	Screw, #8 Rivgrip
22	3570050	Leg, Leveling	61	6200050	Screw, #10-12 x 1/2" Pan HD
23	3421240	Cabinet Roller	62	6201930	Screw, 8-18 X 5/8 6-Lobe PH
24	6111000	Screw, Adjusting 1/4-20 X 20.5	63	6201940	Screw, #10X1/2, 6 Lobe Pan Hd
25	7009311	Bracket, Anti-Tip Pkg Svce (2 Brackets)	64	7012440	Valve, Flow Control Svce
26	7006977	Cord, Power DOM Svce	65	7010632	Tube, Water Svce
27	7006952	Duct, Shell Back Svce	66	7010653	(Supply to Filter)
28	7006951	Duct, Shell Upper Back Svce	67	7010624	Tube, Water Svce
29	6150410	Nut, 1/4-20	68	7010623	(Valve to Flow Washer)
30	7011251	Foam, Condenser Svce	69	7010710	Bracket, Manifold Bypass Svce
31	7006964	Drier, High Side Svce			(To bypass water manifold)
32	7006965	Bracket, Drier Svce			
33	7009447	Compressor Assy, EM20HSC Svce			
34	7010827	Electricals, EM20HSC Svce			
35	7009448	Capacitor, 5 Mf Svce			
36	7011276	Clip, Ref Electricals Svce			
37	7007859	Shroud Assy, Cond Svce (Incl. Fan)			
38	7007864	Switch, Filter Reset Svce			
39	7005017	Water Filter Assy, Rplcmnt (Sales Acc.)			
	7009931	Water Filter Rplcmnt CTO (Sales Acc.)			
	7007863	Filter, Water Svce (Needs Special Auth)			
	7012974	Flt, Wtr CTO Svce (Needs Special Auth)			
	7005018	Plug, Water Filter Bypass (Sales Acc.)			

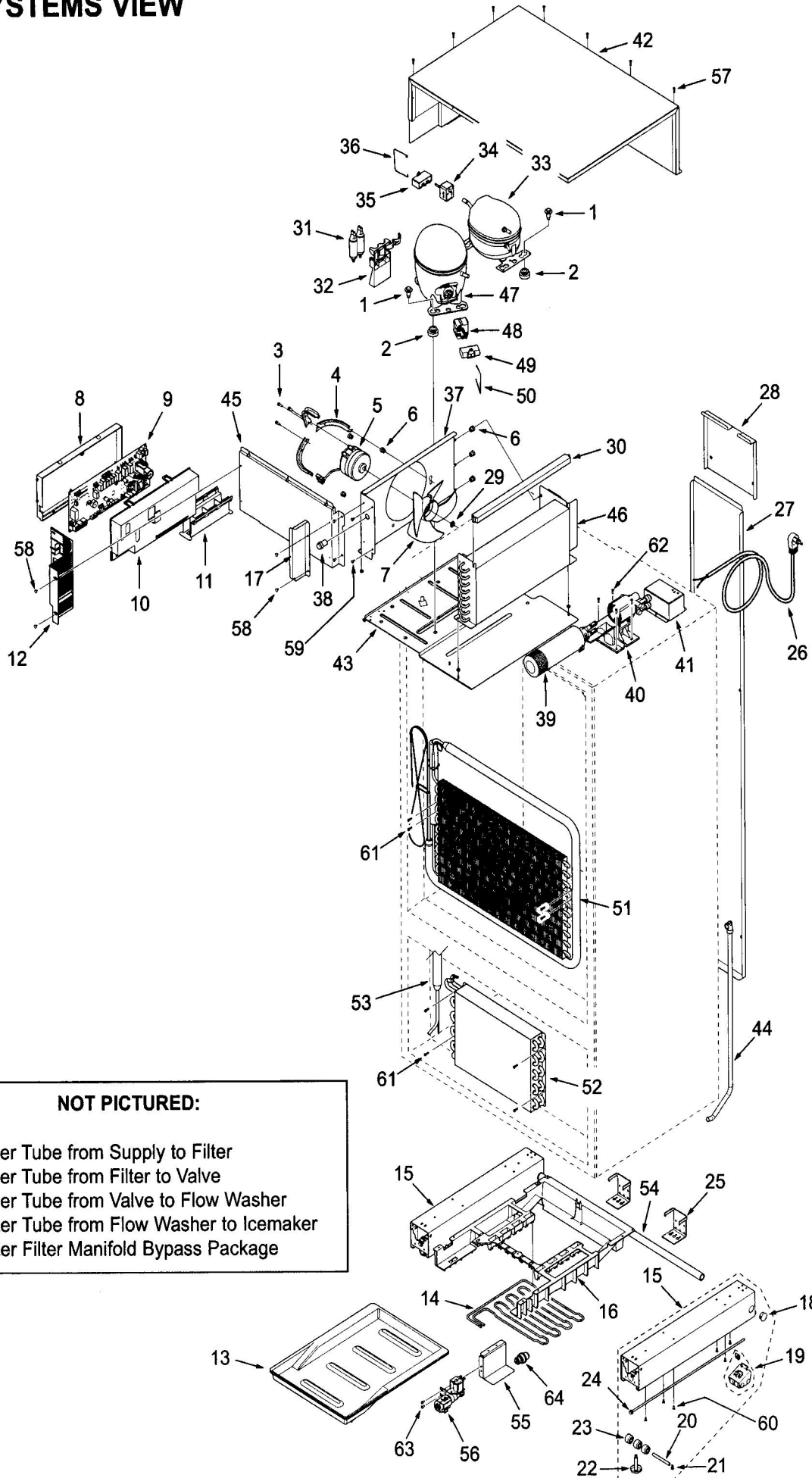
NOT PICTURED:

BI-30U FREEZER INTERIOR VIEW





BI-30U SYSTEMS VIEW



NOT PICTURED:

- 65 Water Tube from Supply to Filter
- 66 Water Tube from Filter to Valve
- 67 Water Tube from Valve to Flow Washer
- 68 Water Tube from Flow Washer to Icemaker
- 69 Water Filter Manifold Bypass Package