



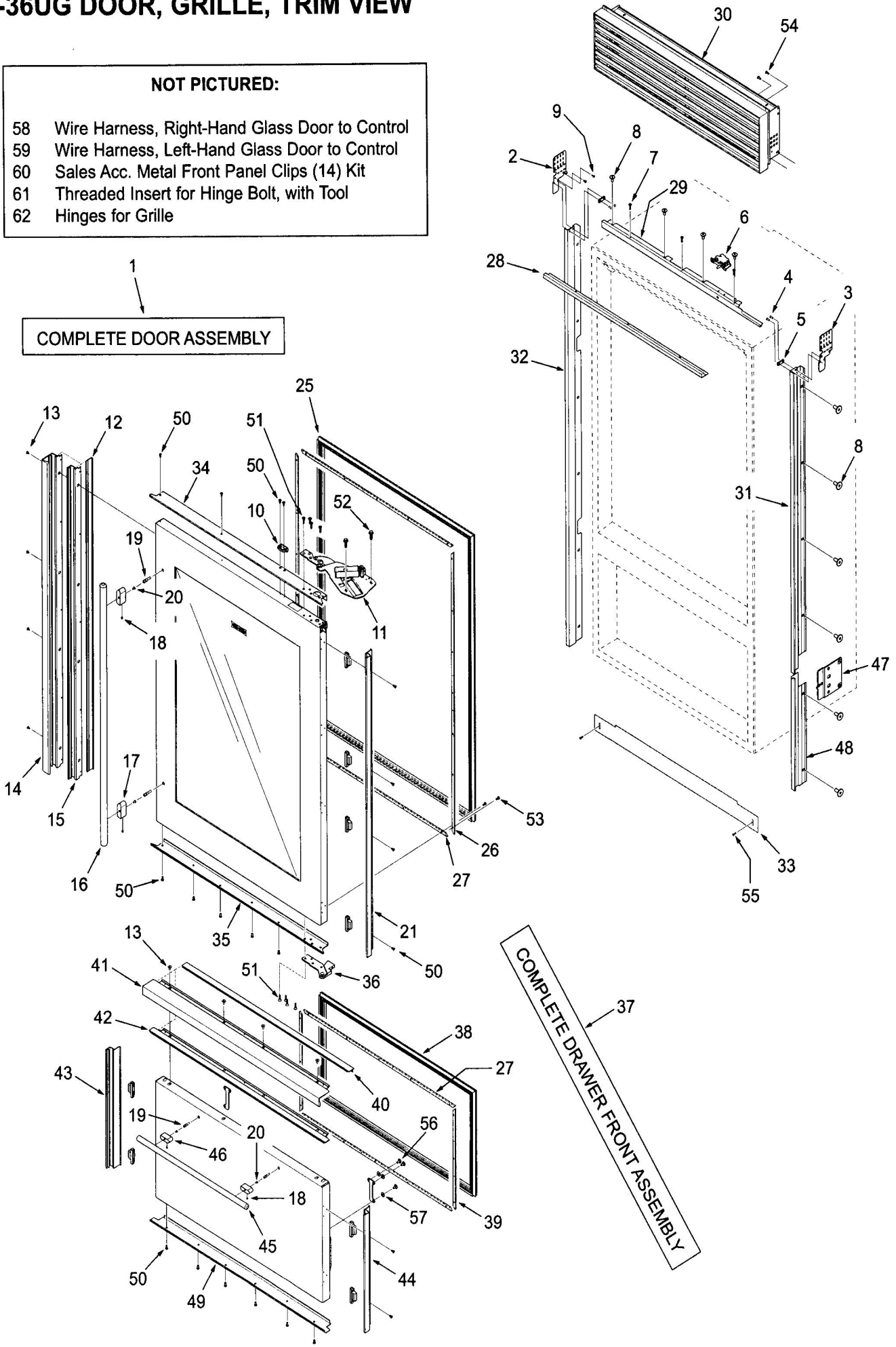
BI-36UG DOOR, GRILLE, TRIM PARTS LIST

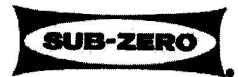
| Ref # | Part # | Description | Ref # | Part # | Description |
|---|---------|--|--|---------|---|
| 1 | 7009692 | Door, Ref Glass LH-F/O 36UG Svce | 31 | 7010975 | Mainframe Assy, Rt Upper (RH Hinge) |
| | 7009702 | Door, Ref Glass RH-F/O 36UG Svce | | 7010976 | Mainframe Assy, Lt Upper (LH Hinge) |
| | 7009714 | Door, Ref Glass RH-S 36UG Svce | 32 | 7007262 | Mainframe Assy, Right Side (LH Hinge) |
| | 7009716 | Door, Ref Glass LH-S 36UG Svce | | 7007263 | Mainframe Assy, Left Side (RH Hinge) |
| | 7009732 | Door, Ref Glass LH-F/O 36UA Svce | 33 | 7007266 | Kickplate, Stainless 36 Svce |
| | 7009742 | Door, Ref Glass RH-F/O 36UA Svce | | 7007709 | Kickplate, Solid Black 36 Svce |
| | 7009754 | Door, Ref Glass RH-S 36UA Svce | 34 | 7010947 | Trim, Door Top RH Svce |
| | 7009756 | Door, Ref Glass LH-S 36UA Svce | | 7010949 | Trim, Door Top LH Svce |
| NOTE: Door Assemblies do NOT incl. hinges / handles. | | | 35 | 7010948 | Trim, Door Bot RH Svce |
| 2 | 7007261 | Bracket, Grille LH Svce (Includes Support & Rivets) | | 7010950 | Trim, Door Bot LH Svce |
| 3 | 7007260 | Bracket, Grille RH Svce (Includes Support & Rivets) | 36 | 7010287 | Hinge, Mid U RH Svce |
| 4 | 7005254 | Rivet, Semi-Tubular .180 X .280 | | 7010288 | Hinge, Mid U LH Svce |
| 5 | 7001150 | Bracket, Frame Support | 37 | 7005370 | Drawer, Fre-F/O 36U/UG/UA Svce |
| 6 | 7007259 | Switch Assy, Svce | | 7005384 | Drawer, Fre-S 36U/UG/UA Svce |
| 7 | 7001277 | Screw, Machine #10-24X1/4 | NOTE: Drawer Assemblies do NOT include handles. | | |
| 8 | 6201550 | Screw, #8-18 X 1/2 Low Profile | 38 | 7010982 | Gasket, Drawer 36 Svce |
| 9 | 6201890 | Screw, #8-15X3/8 6-Lobe Trhd | 39 | 7010984 | Retainer, Gasket Door Svce (~ 17") |
| 10 | 7010943 | Depressor,Door Switch Svce(SS Door) | 40 | 7010189 | Drawer Screw Cover 36 Svce |
| | 7011201 | Depressor,Door Switch Svce(F/O Door) | 41 | 7010199 | Hndle,Framed Dwr 36 Svce (Framed) |
| 11 | 7010285 | Hinge Assy, Top RH Low Svce | 42 | 7010209 | Trim, Drawer Top 36 Svce (Overlay) |
| | 7010286 | Hinge Assy, Top LH Low Svce | 43 | 7010987 | Trim, Drawer Side Svce |
| 12 | 7010188 | Door, Screw Cover 50 Svce | 44 | 7010987 | Trim, Drawer Side Svce |
| 13 | 6201550 | Screw, #8-18 X 1/2 Low Profile | 45 | 7010993 | Handle Assy, Tubular 30.312 Svce |
| 14 | 7010197 | Hndle,Framed Door 50 Svce (Framed) | | 7010995 | Handle Assy, PRO 23.5 Svce |
| 15 | 7010207 | Trim, Door Handle 50 Svce (Overlay) | | 7010997 | Handle Assy, Curved 31.25 Svce |
| 16 | 7010968 | Handle Assy, Tubular 44.25 Svce | 46 | NA | For Tubular, See 7010993 |
| | 7010970 | Handle Assy, PRO 37.5 Svce | | NA | For PRO, See 7010995 |
| | 7010972 | Handle Assy, Curved 45.188 Svce | | NA | For Curved, See 7010997 |
| 17 | NA | For Tubular, See 7010968 | 47 | 7010988 | Hinge, Side Plate RH Svce |
| | NA | For PRO, See 7010970 | | 7010989 | Hinge, Side Plate LH Svce |
| | NA | For Curved, See 7010972 | 48 | 7010980 | Frame, Main Side Right Lwr(RH Hinge) |
| 18 | 6110730 | Screw, Set #10-32X1/4 SS, Cone | | 7010981 | Frame, Main Side Left Lwr (LH Hinge) |
| 19 | 3511520 | Stud, Mounting | 49 | 7010985 | Trim, Drawer Bot Svce |
| 20 | 6111090 | Bolt, #10-24X1/2 (Tubular & Pro) | 50 | 7004170 | Screw, #8X18X1/2 6-Lobe TRHD |
| | 6111020 | Screw, #10-24X3/8 FI Hd (Curved) | 51 | 7001264 | Screw, 1/4-20X3/4 #10 Hex Ft Hd |
| 21 | 7012427 | Trim, RH Door Hinge Side Svce | 52 | 6110460 | Tensilock Bolt, 5/16-18 x 1-1/4" |
| | 7012428 | Trim, LH Door Hinge Side Svce | 53 | 7012994 | Screw, #8X.813 Ph AB |
| 22 | NA | | 54 | 7003597 | Screw, #10-32X3/8, 6 Lobe Tr |
| 23 | NA | | 55 | 6200050 | Screw, #10-12 x 1/2" Pan HD |
| 24 | NA | | 56 | 6110980 | Cap Screw,1/4-20X3/4 Button HD |
| 25 | 7010973 | Gasket, Door Svce | 57 | 6240340 | Washer,Flat 1/4X5/8 X .045 SS |
| 26 | 7010974 | Retainer, Gasket Door Svce (~ 48") | NOT PICTURED: | | |
| 27 | 7007270 | Retainer, Door Gasket Svce (~ 33") | 58 | 7011110 | W/H, RH Glass Door Svce (From door to Control) |
| 28 | 7007265 | Trim, Cabinet Top Svce | 59 | 7011111 | W/H, LH Glass Door Svce (From door to Control) |
| 29 | 7007264 | Frame, Cabinet Top RH Svce | 60 | 7012209 | Kit, Door Panel Clips Svce (Qty 14 Clips - for Metal Front Panels) |
| | 7011015 | Frame, Cabinet Top LH Svce | 61 | 7013234 | Threaded Insert, Install Svce |
| 30 | 7007128 | Grille, Framed 36 Svce | 62 | 7013560 | Hinge, Grille Assy RH Svce |
| | 7007132 | Grille, Stainless 36 Svce | | 7013561 | Hinge, Grille Assy LH Svce |
| | 7007136 | Grille, Overlay 36 Svce | | | |
| | 7013560 | Hinge, Grille Assy RH Svce | | | |
| | 7013561 | Hinge, Grille Assy LH Svce | | | |

BI-36UG DOOR, GRILLE, TRIM VIEW

NOT PICTURED:

- 58 Wire Harness, Right-Hand Glass Door to Control
- 59 Wire Harness, Left-Hand Glass Door to Control
- 60 Sales Acc. Metal Front Panel Clips (14) Kit
- 61 Threaded Insert for Hinge Bolt, with Tool
- 62 Hinges for Grille



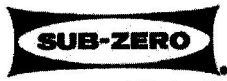


BI-36UG REFRIGERATOR INTERIOR PARTS LIST

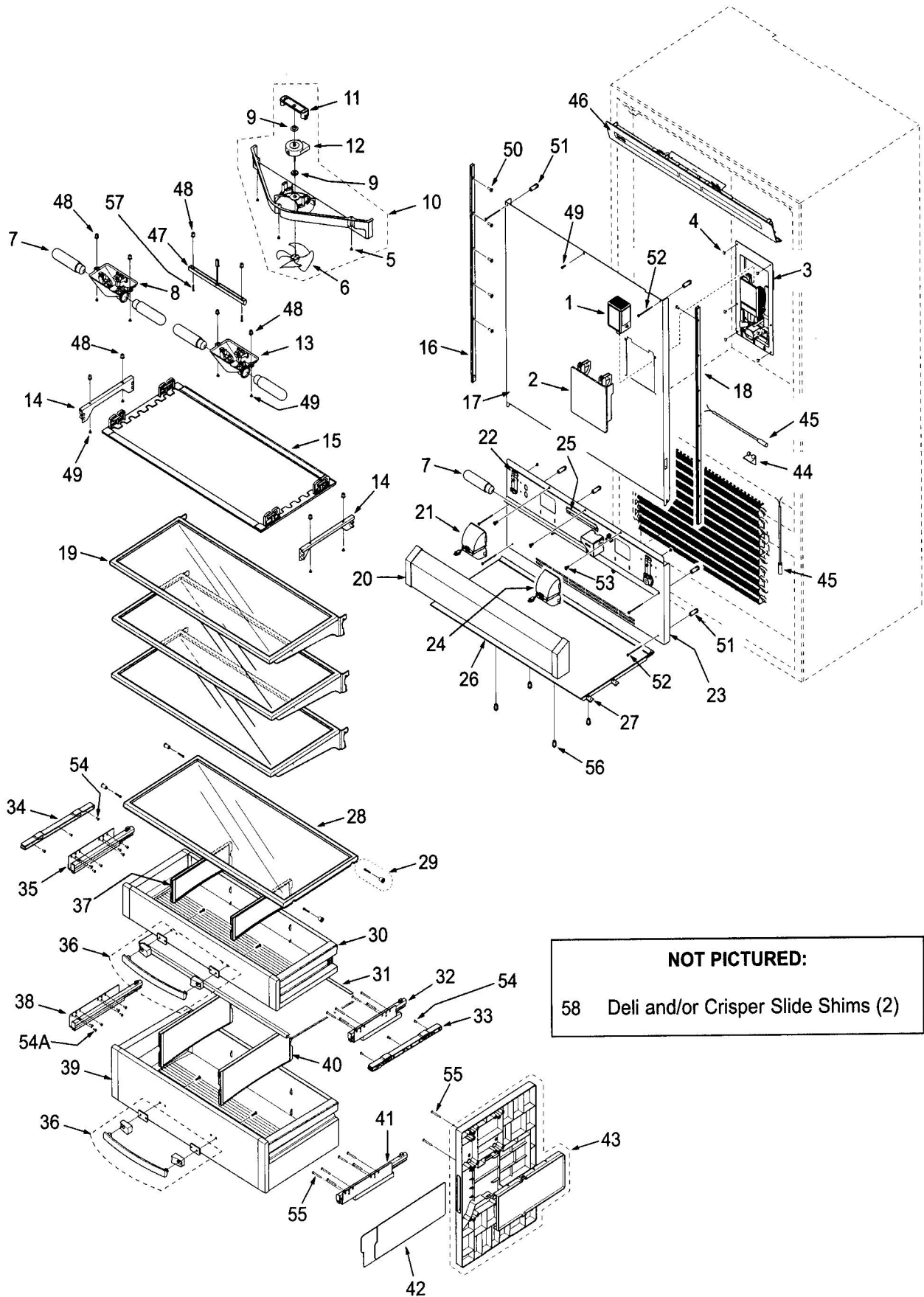
| Ref # | Part # | Description | Ref # | Part # | Description |
|-------|---------|---------------------------------|-------|---------|----------------------------------|
| 1 | 7007023 | Cartridge, Air Purifier Svce | 31 | 7007063 | Glass, Crisper Cover Svce |
| 2 | 7007021 | Door Assy, Air Purifier Svce | | 7007069 | Seal, Crisper Front Svce |
| 3 | 7007022 | Pocket Assy, Air Purifier Svce | | 7007070 | Seal, Crisper Rear Svce |
| 4 | 6201890 | Screw, #8-15X3/8 6 Lobe TR HD | 32 | 7007056 | Slide, Drawer RH Svce |
| 5 | 6201890 | Screw, #8-15X3/8 6 Lobe Tr Hd | 33 | 7006975 | Support, Crisper Cover RH Svce |
| 6 | 7011058 | Fan Blade, White Svce | 34 | 7007053 | Support, Crisper Cover LH Svce |
| 7 | 7006999 | Lamp, Blue Glass Svce | 35 | 7007057 | Slide, Drawer LH Svce |
| 8 | 7006997 | Light Assy, Dual w/T Dom Svce | 36 | 7007065 | Handle Assy, Drawer Svce |
| | 7007044 | Lampholder, Angle Dom Svce | 37 | 7011081 | Divider, Deli Svce |
| 9 | 7005046 | Grommet, Motor Fan | 38 | 7007055 | Slide, Drawer LH Svce |
| 10 | 7010508 | Fan Assy, Evap Svce | 39 | 7007064 | Crisper Assy, Svce |
| 11 | 7012008 | Bracket, Evaporator Fan Svce | 40 | 7011080 | Divider, Crisper Svce |
| 12 | 7012007 | Motor, Evap Fan Svce | 41 | 7007054 | Slide, Drawer LH Svce |
| 13 | 7007019 | Light Assy, Dual w/o T Dom Svce | 42 | 7007060 | Card, Consumer Use & Care Svce |
| | 7007044 | Lampholder, Angle Dom Svce | 43 | 7009375 | Crisper Assy, Spacer LH Svce |
| 14 | 7007048 | Bracket, Light Diffuser Svce | | 7009376 | Crisper Assy, Spacer RH Svce |
| 15 | 7007049 | Diffuser, Glass Svce | 44 | 7007030 | Bracket, Thermistor Svce |
| 16 | 7009364 | Shelf Ladder, LH Svce | 45 | 4204740 | Therm Assy, Svce |
| 17 | 7009368 | Duct Assy, Upper Svce | 46 | 7009865 | Panel, CL 36UG Svce |
| 18 | 7009363 | Shelf Ladder, RH Svce | 47 | 7010352 | Light Assy, Accent Svce |
| 19 | 7010354 | Shelf, Glass Cantilever Svce | 48 | 6220220 | Screw Grommet, 1/32 x 3/8" SQ |
| 20 | 7007026 | Crisper Assy, Light Cover Svce | 49 | 6201890 | Screw, #8-15X3/8, 6 Lobe Trhd |
| 21 | 7007034 | Duct, Fan Left Svce | 50 | 7004169 | Screw, #8-18X1/2, 6 Lobe Fill Hd |
| 22 | 7007040 | Support, Crisper Cover Svce | 51 | 6220540 | Screw Grommet/Stand-off, 1.375 |
| 23 | 7009371 | Duct Assy, Lower RH Svce | 52 | 7006016 | Screw, #8-16X1-1/2, 6 Lobe SS |
| | 7011504 | Duct Assy, Lower LH Svce | 53 | 6180330 | Rivet, Plastic 1/4 DIA |
| 24 | 7007036 | Duct, Fan Right Svce | 54 | 7006281 | Screw, #8-18X5/8, 6 Lobe Trhd |
| 25 | 7007033 | Retainer, Wire Raceway Svce | 54A | 7014262 | Screw, #8-32X3/4, 6 Lobe Trhd |
| 26 | 7007046 | Duct Assy, Crisper Svce | 55 | 7014263 | Screw, #8-32X1-3/4, 6 Lobe Trhd |
| 27 | 7004161 | Clip, Crisper Duct | 56 | 7004184 | Standoff, Nylon, .5" |
| 28 | 7007050 | Shelf, Crisper Svce | 57 | 6201910 | Screw, #6-20X3/4, 6 Lobe Pan Hd |
| 29 | 7003167 | Standoff, Fixed Shelf Ref | | | |
| 30 | 7007066 | Deli Assy, Svce | | | |

NOT PICTURED:

| | | |
|----|---------|---|
| 58 | 7011444 | Shim, Slide Svce (Qty 2 per) (For Ref Deli and Crisper Slides) |
|----|---------|---|



BI-36UG REFRIGERATOR INTERIOR VIEW



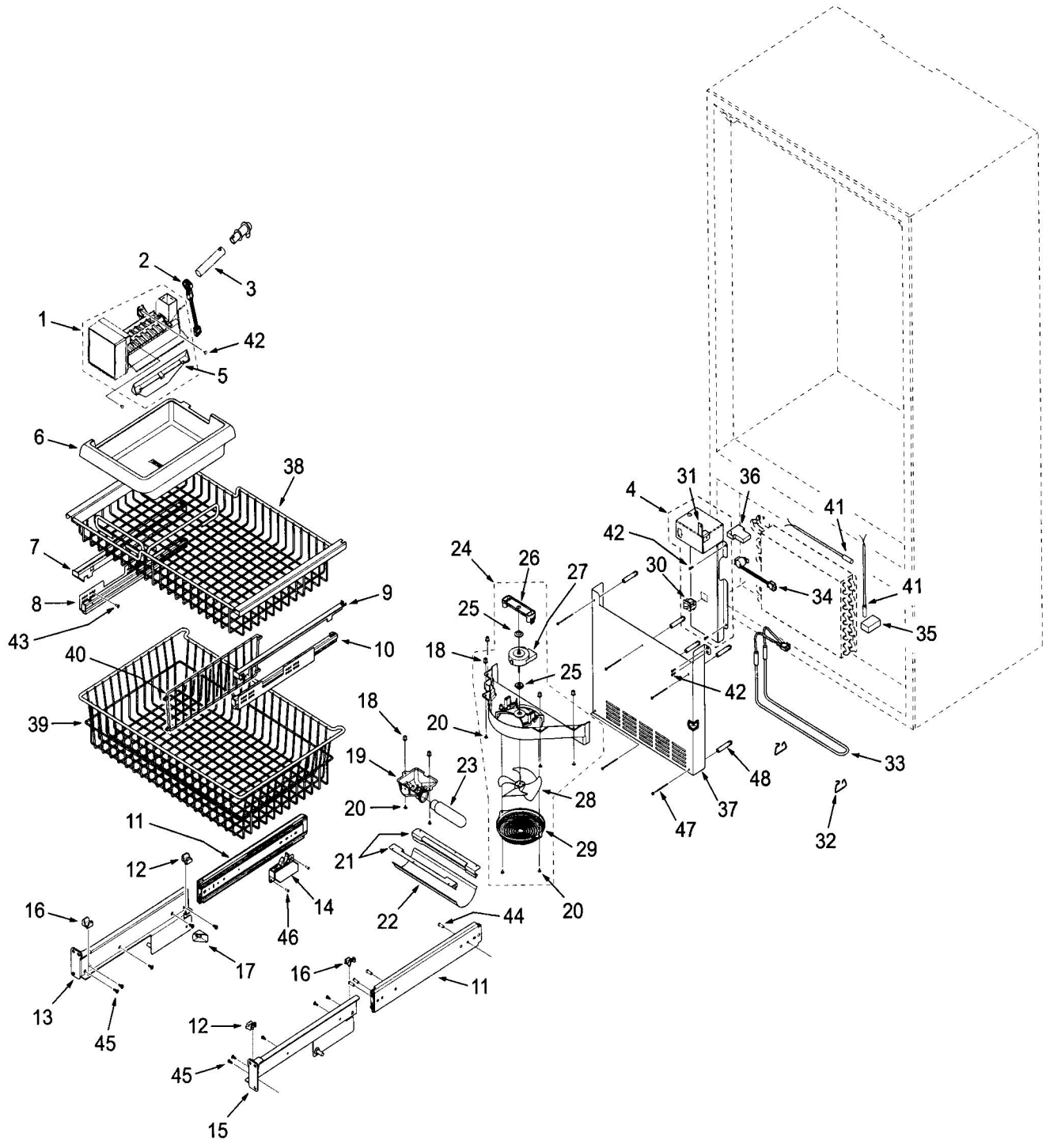


BI-36UG FREEZER INTERIOR PARTS LIST

| Ref # | Part # | Description | Ref # | Part # | Description |
|-------|---------|--------------------------------------|-------|---------|--------------------------------------|
| 1 | 7009437 | Icemaker, Assy Long Arm Svce | 24 | 7009378 | Fan Assy, Evap Svce |
| 2 | 7009435 | Heater, Fill Tube Svce | 25 | 7005046 | Grommet, Motor Fan |
| 3 | 7009434 | Tube, Fill Svce | 26 | 7012008 | Bracket, Evaporator Fan Svce |
| 4 | 7011207 | Cover Assy, Wire Svce (includes W/H) | 27 | 7012007 | Motor, Evap Fan Svce |
| 5 | 7009436 | Arm, Icemaker Svce | 28 | 7011058 | Fan Blade, White Svce |
| 6 | 7009438 | Bin, Icemaker Svce | 29 | 7011171 | Guard, Fan Svce |
| 7 | 7011163 | Retainer, Upper Basket LH Svce | 30 | 3060140 | Switch, Light |
| 8 | 7009392 | Slide Assy, Fre Basket LH Svce | 31 | 7009433 | Bracket, icemaker Svce |
| 9 | 7011162 | Retainer, Upper Basket RH Svce | 32 | 7005253 | Clip, Defrost Heater |
| 10 | 7009391 | Slide Assy, Fre Basket RH Svce | 33 | 7009385 | Heater, Defrost Svce |
| 11 | 7011173 | Slide Assy, Full Extension Svce | 34 | 7011174 | Switch, Defrost Terminator Svce |
| 12 | 7009399 | Retainers, Lwr Fre Basket Svce (4) | 35 | 7009386 | Block,Evap Foam Svce (incl, LH & RH) |
| 13 | 7009400 | Support, Assy Left Svce | 36 | 7009386 | Block,Evap Foam Svce (incl, LH & RH) |
| 14 | 7009401 | Closer, Drawer LH Svce | 37 | 7009390 | Duct Assy, Fre Svce |
| 15 | 7009398 | Support, Assy Right Svce | 38 | 7009439 | Basket, Fre Upper Svce |
| 16 | 7009399 | Retainers, Lwr Fre Basket Svce (4) | 39 | 7009440 | Basket, Fre Lower Svce |
| 17 | 7002646 | Depressor, Switch | 40 | 7011170 | Divider, Lower Basket Svce |
| 18 | 6220220 | Screw, Grommet 1/32X3/8 Sq | 41 | 4204740 | Therm Assy, Svce |
| 19 | 7009429 | Bracket Assy, 1 LT (T)DOM Svce | 42 | 6201930 | Screw, 8-18 X 5/8 6-Lobe PH |
| | 7007044 | Lampholder, Angle Dom Svce | 43 | 7006750 | Screw, #10-24X3/8 UC, FI Hd |
| 20 | 6201890 | Screw, #8-15X3/8 6 Lobe Tr Hd | 44 | 7006752 | Screw, 1/4-20X3/4, 6-Lobe FI Hd |
| 21 | 7009431 | Retainer, Light Diffuser Svce | 45 | 7004170 | Screw, #8-18X1/2, 6 Lobe Trhd |
| 22 | 7009430 | Diffuser, Fre Lower LT Svce | 46 | 6110030 | Bolt, #10-24 x 1/2", Round Head |
| 23 | 7006999 | Lamp, Blue Glass Svce | 47 | 6201980 | Screw, #8-15X 2-3/4 6-Lobe PH |
| | | | 48 | 7004215 | Standoff, Nylon 2.06" |



BI-36UG FREEZER INTERIOR VIEW



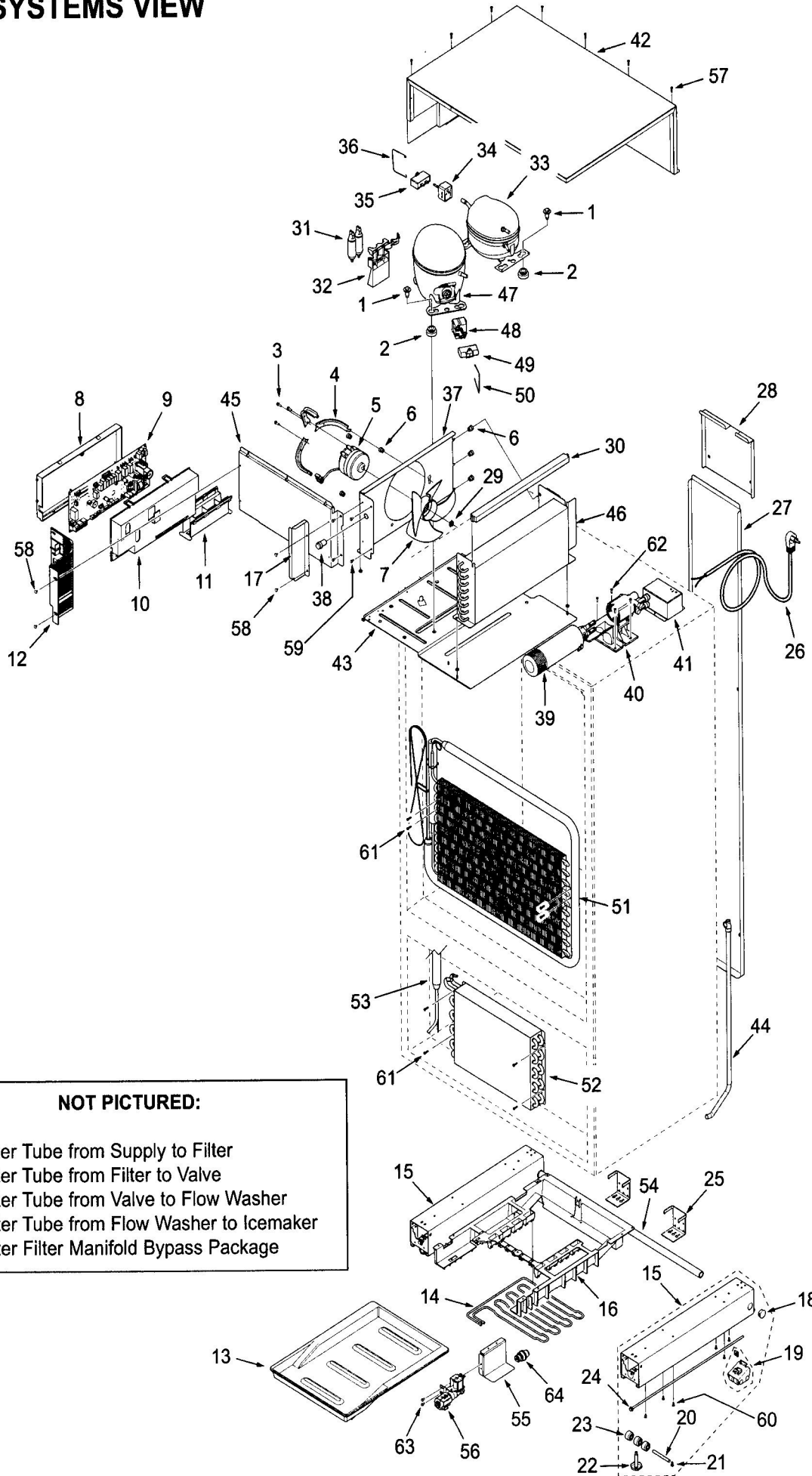


BI-36UG SYSTEMS PARTS LIST

| Ref # | Part # | Description | Ref # | Part # | Description |
|-------|---------|---|-------|---------|---|
| 1 | 7002076 | Screw, Comp Mounting | 40 | 7007862 | Manifold, Water Filter Svce |
| 2 | 3150010 | Mount, Rubber #70456-1 | 41 | 7006978 | Cover, Power Cord DOM Svce |
| 3 | 6201580 | Screw,#8-36 X 1/2 Nylon Patch | 42 | 7006949 | Shroud, Assy Unit Svce |
| 4 | 7011248 | Bracket, Cond Fan Motor Svce | 43 | 7010424 | Unit Tray, Svce |
| 5 | 4200740 | Motor Pkg, Cond Fan | 44 | 7012421 | Tube, Drain Svce |
| 6 | 3220360 | Grommet, Mtg Brkt | 45 | 7006957 | Shroud Assy, Compressor Svce |
| 7 | 7006971 | Fan Blade, Condenser Svce | 46 | 7010319 | Condenser, Assy Svce |
| 8 | 7006984 | Enclosure, Control Board Svce | 47 | 7009446 | Compressor Assy, EGX60HLC Svce |
| 9 | 7018446 | Control Assy, Board Svce | 48 | 7011254 | Electricals, EGX60HLC TSD Svce |
| 10 | 7006976 | Cover, Control Housing Svce | 49 | 7005578 | Capacitor, 12Mf SVCE |
| 11 | 7006955 | Support, Control Board Svce | 50 | 7011277 | Clip, TSD Electricals Svce |
| 12 | 7006956 | Grille, Control Area Svce | 51 | 7009366 | Evap, Ref Svce |
| 13 | 7006979 | Drain Pan, Svce | | 7010301 | Evap Assy, Ref Svce (Incl Heat Exch) |
| 14 | 7006990 | Heater, Drain Pan Svce | 52 | 7009379 | Evap, Fre Svce |
| 15 | 7006982 | Base Assy, Cabinet Svce | 53 | 7009383 | Evap Assy, Fre Svce (Evap & Heat Ex) |
| 16 | 7006980 | Support, Drain Pan Svce | 54 | 7006981 | Bar, Anti-Tip Svce |
| 17 | 7006969 | Divider, Air Svce | 55 | 7007866 | Bracket, Water Valve Svce |
| 18 | 7003021 | Plug, 7/8 Nyl hole Black | 56 | 7007865 | Valve, Water Single Svce |
| 19 | 7006985 | Bracket Assy, Cabinet Roller Svce | 57 | 6200330 | Screw, #8-18 x 3/8" Pan Head |
| 20 | 3550560 | Straight Pin, Base Assy - .312" x 2.88" | 58 | 6201890 | Screw, #8-15X3/8, 6 Lobe Trhd |
| 21 | 3450620 | Clip, Canoe | 59 | 6201670 | Screw, #8 Rivgrip |
| 22 | 3570050 | Leg, Leveling | 60 | 6200050 | Screw, #10-12 x 1/2" Pan HD |
| 23 | 3421240 | Cabinet Roller | 61 | 6201930 | Screw, 8-18 X 5/8 6-Lobe PH |
| 24 | 6111000 | Screw, Adjusting 1/4-20 X 20.5 | 62 | 7003824 | Screw, #10X1/2, 6 Lobe Pan Hd |
| 25 | 7009311 | Bracket, Anti-Tip Pkg Svce (2 Brackets) | 63 | 6201940 | Screw,10-12 X 3/4 6-Lobe PH |
| 26 | 7006977 | Cord, Power DOM Svce | 64 | 7012440 | Valve, Flow Control Svce |
| 27 | 7006952 | Duct, Shell Back Svce | | | NOT PICTURED: |
| 28 | 7006951 | Duct, Shell Upper Back Svce | 65 | 7010631 | Tube, Water Svce (Supply to Filter) |
| 29 | 6150410 | Nut, 1/4-20 | 66 | 7010652 | Tube, Water Fltr to Valve Svce (Filter to Valve) |
| 30 | 7011251 | Foam, Condenser Svce | 67 | 7010640 | Tube, Water Svce (Valve to Flow Washer) |
| 31 | 7006964 | Drier, High Side Svce | 68 | 7010622 | Tube, Water Svce (Flow Washer to I/M) |
| 32 | 7006965 | Bracket, Drier Svce | 69 | 7010710 | Bracket, Manifold Bypass Svce (To bypass water manifold) |
| 33 | 7009447 | Compressor Assy, EM20HSC Svce | | | |
| 34 | 7010827 | Electricals, EM20HSC Svce | | | |
| 35 | 7009448 | Capacitor, 5 Mf Svce | | | |
| 36 | 7011276 | Clip, Ref Electricals Svce | | | |
| 37 | 7007859 | Shroud Assy, Condenser Svce | | | |
| 38 | 7007864 | Switch, Filter Reset Svce | | | |
| 39 | 7005017 | Water Filter Assy, Rplcmnt (Sales Acc.) | | | |
| | 7009931 | Water Filter Rplcmnt CTO (Sales Acc.) | | | |
| | 7007863 | Filter,Water Svce (Needs Special Auth) | | | |
| | 7012974 | Fltr,Wtr CTO Svce (Needs Spcial Auth) | | | |
| | 7005018 | Plug, Water Filter Bypass (Sales Acc.) | | | |



BI-36UG SYSTEMS VIEW



NOT PICTURED:

- 65 Water Tube from Supply to Filter
- 66 Water Tube from Filter to Valve
- 67 Water Tube from Valve to Flow Washer
- 68 Water Tube from Flow Washer to Icemaker
- 69 Water Filter Manifold Bypass Package