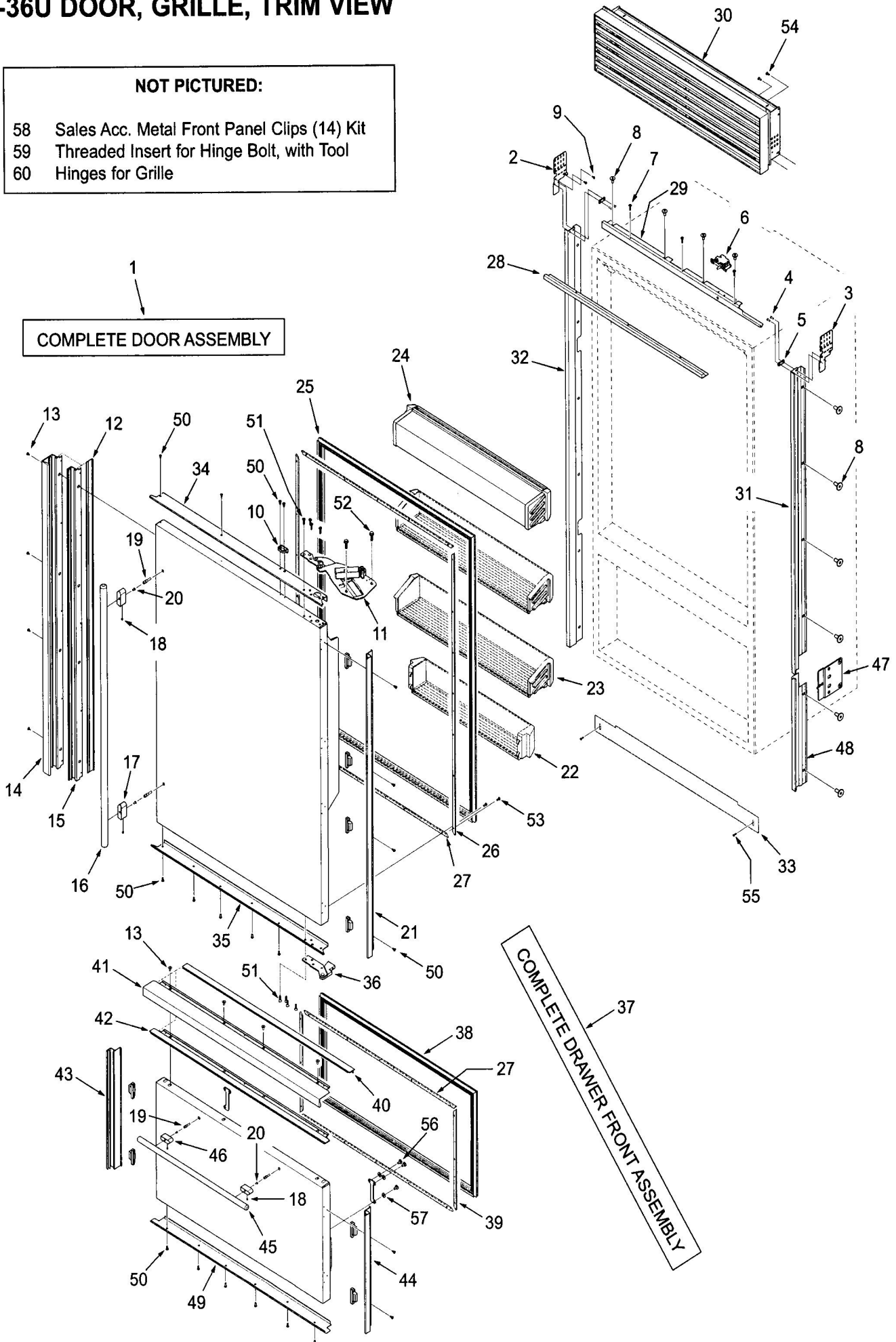


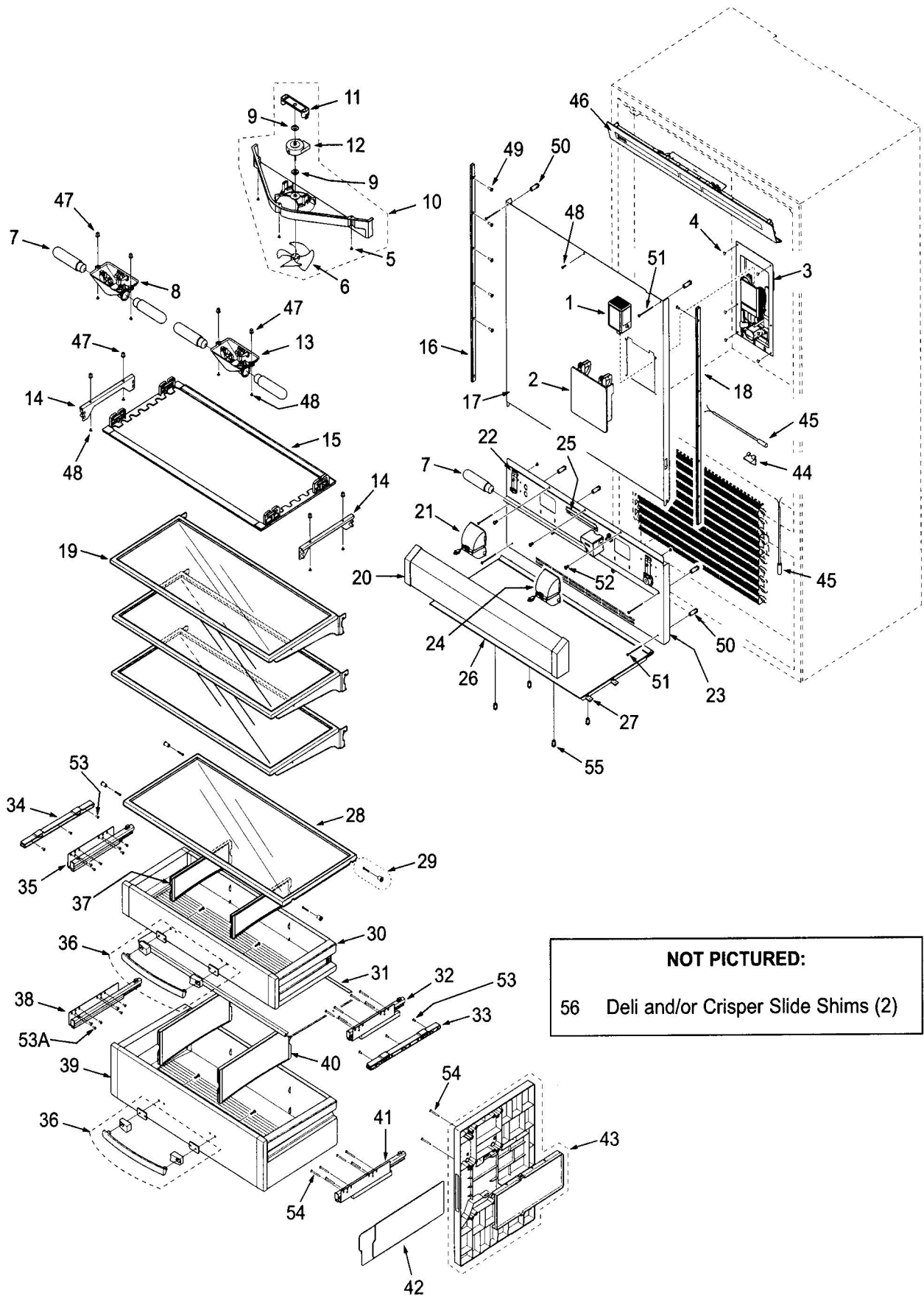
BI-36U DOOR, GRILLE, TRIM VIEW

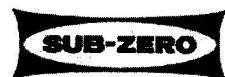
NOT PICTURED:

- 58 Sales Acc. Metal Front Panel Clips (14) Kit
- 59 Threaded Insert for Hinge Bolt, with Tool
- 60 Hinges for Grille



BI-36U REFRIGERATOR INTERIOR VIEW

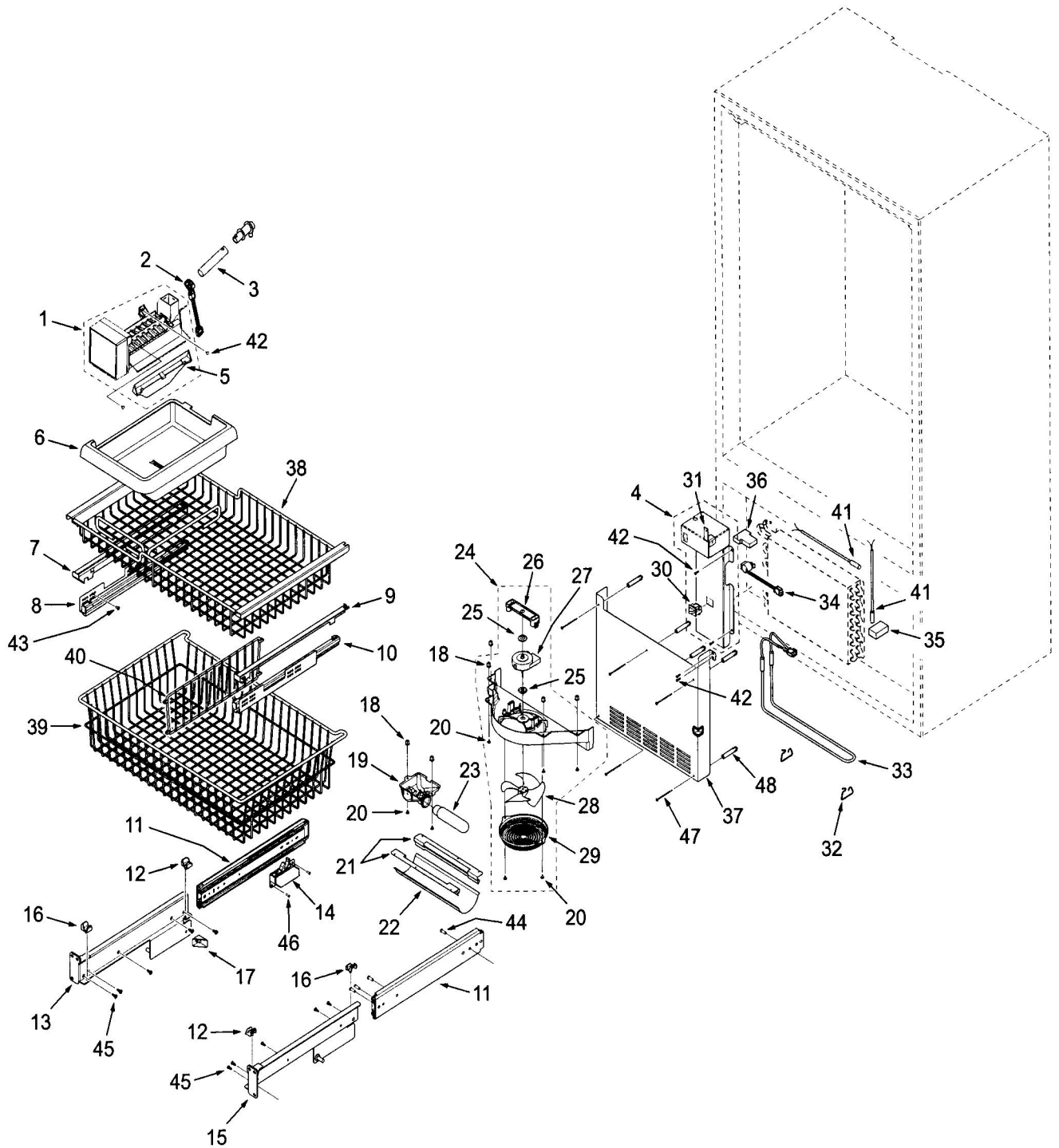




BI-36U FREEZER INTERIOR PARTS LIST

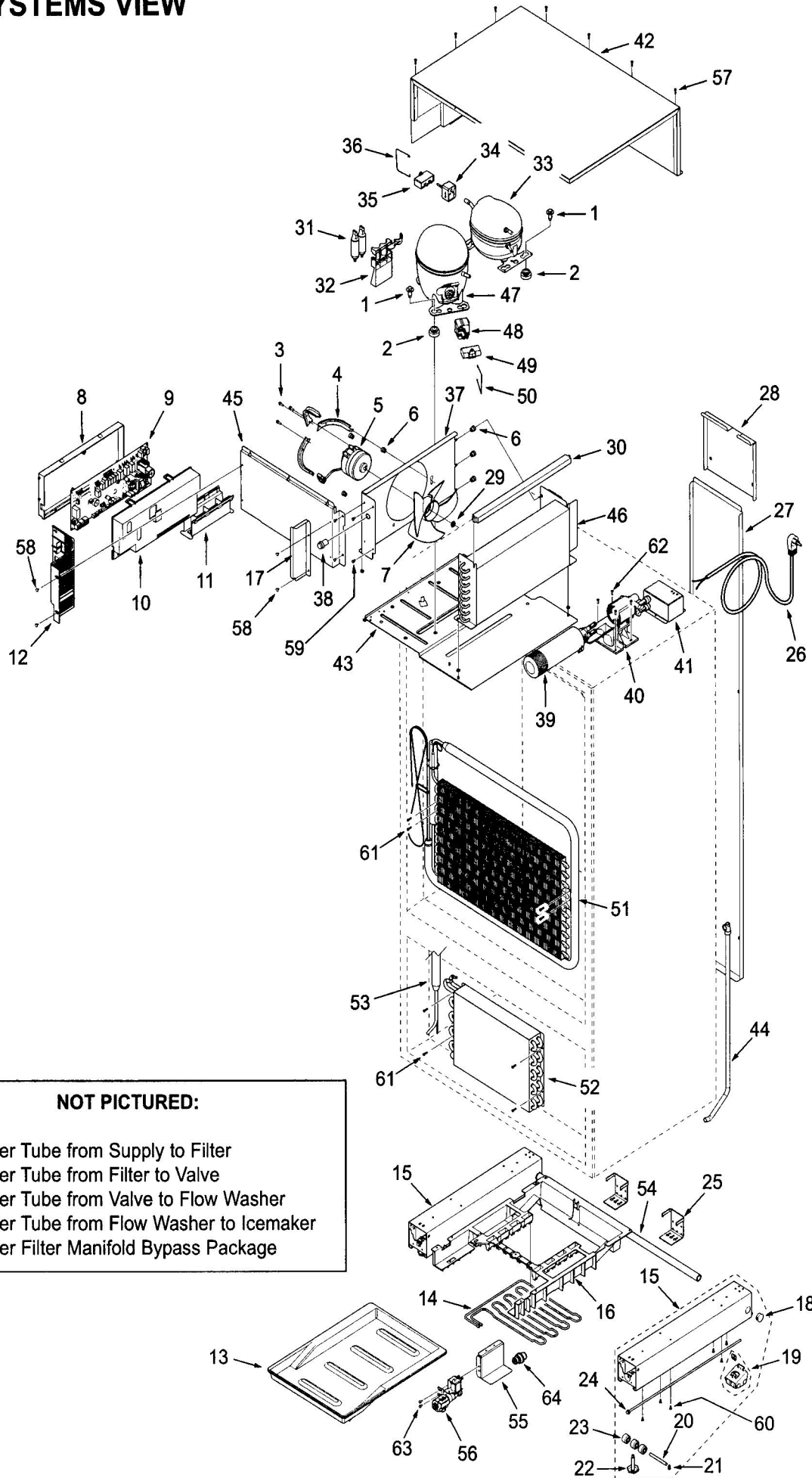
Ref #	Part #	Description	Ref #	Part #	Description
1	7009437	Icemaker, Assy Long Arm Svce	24	7009378	Fan Assy, Evap Svce
2	7009435	Heater, Fill Tube Svce	25	7005046	Grommet, Motor Fan
3	7009434	Tube, Fill Svce	26	7012008	Bracket, Evaporator Fan Svce
4	7011207	Cover Assy, Wire Svce (includes W/H)	27	7012007	Motor, Evap Fan Svce
5	7009436	Arm, Icemaker Svce	28	7011058	Fan Blade, White Svce
6	7009438	Bin, Icemaker Svce	29	7011171	Guard, Fan Svce
7	7011163	Retainer, Upper Basket LH Svce	30	3060140	Switch, Light
8	7009392	Slide Assy, Fre Basket LH Svce	31	7009433	Bracket, icemaker Svce
9	7011162	Retainer, Upper Basket RH Svce	32	7005253	Clip, Defrost Heater
10	7009391	Slide Assy, Fre Basket RH Svce	33	7009385	Heater, Defrost Svce
11	7011173	Slide Assy, Full Extension Svce	34	7011174	Switch, Defrost Terminator Svce
12	7009399	Retainers, Lwr Fre Basket Svce (4)	35	7009386	Block,Evap Foam Svce (incl, LH & RH)
13	7009400	Support, Assy Left Svce	36	7009386	Block,Evap Foam Svce (incl, LH & RH)
14	7009401	Closer, Drawer LH Svce	37	7009390	Duct Assy, Fre Svce
15	7009398	Support, Assy Right Svce	38	7009439	Basket, Fre Upper Svce
16	7009399	Retainers, Lwr Fre Basket Svce (4)	39	7009440	Basket, Fre Lower Svce
17	7002646	Depressor, Switch	40	7011170	Divider, Lower Basket Svce
18	6220220	Screw, Grommet 1/32X3/8 Sq	41	4204740	Therm Assy, Svce
19	7009429	Bracket Assy, 1 LT (T)DOM Svce	42	6201930	Screw, 8-18 X 5/8 6-Lobe PH
	7007044	Lampholder, Angle Dom Svce	43	7006750	Screw, #10-24X3/8 UC, FI Hd
20	6201890	Screw, #8-15X3/8 6 Lobe Tr Hd	44	7006752	Screw, 1/4-20X3/4, 6-Lobe FI Hd
21	7009431	Retainer, Light Diffuser Svce	45	7004170	Screw, #8-18X1/2, 6 Lobe Trhd
22	7009430	Diffuser, Fre Lower LT Svce	46	6110030	Bolt, #10-24 x 1/2", Round Head
23	7006999	Lamp, Blue Glass Svce	47	6201980	Screw, #8-15X 2-3/4 6-Lobe PH
			48	7004215	Standoff, Nylon 2.06"

BI-36U FREEZER INTERIOR VIEW





BI-36U SYSTEMS VIEW



NOT PICTURED:

- 65 Water Tube from Supply to Filter
- 66 Water Tube from Filter to Valve
- 67 Water Tube from Valve to Flow Washer
- 68 Water Tube from Flow Washer to Icemaker
- 69 Water Filter Manifold Bypass Package