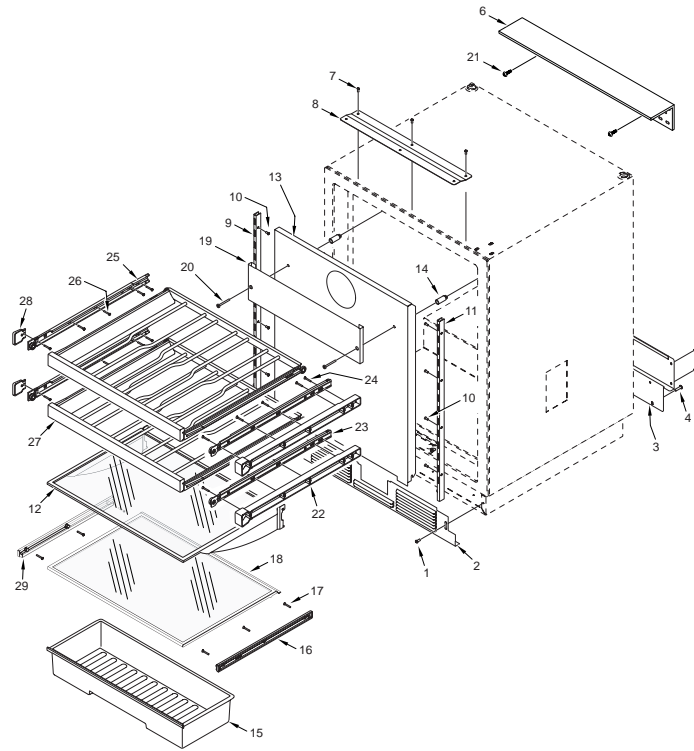




Service Parts Manual



Under Counter (UC-24) Series



INTRODUCTION

This Service Parts Manual has been compiled with the most recent service parts information.

Please note that the following may appear in or after part descriptions:

- (See SN Breaks) = See Serial Number Breaks in Price List
- , B = carBon Unit
- , P = Platinum Unit

TECHNICAL ASSISTANCE

If you should have any questions regarding a Sub-Zero appliance and/or this manual, please contact:

Sub-Zero Freezer Company, Inc.
ATTN: Service Department
P.O. Box 44988
Madison, WI 53744 - 4988

Customer Service & Parts / Warranty Claims
Phone #: (800) 222 - 7820

Technical Assistance
Phone #: (800) 919 - 8324

Customer Service & Technical Assistance
Facsimile #: (608) 441 - 5887

Parts / Warranty Claims
Facsimile #: (608) 441 - 5886

Service Department E-Mail Address:
customerservice@subzero.com

Office Hours:
7:00 AM to 7:00 PM Central Time
Monday through Friday

This manual is designed to be used by Authorized Service Personnel only. Sub-Zero Freezer Co., Inc. assumes no responsibility for any repairs made on Sub-Zero refrigeration units by anyone other than Authorized Service Technicians.

The information and images contained in this manual are the copyright property of Sub-Zero Freezer Company, Inc. Neither this manual nor any information or images contained herein may be copied or used in whole or in part without the express written consent of Sub-Zero Freezer Company, Inc. © all rights reserved.

TABLE OF CONTENTS

	<i>Page #</i>
<hr/>	
<i>Model UC-24B Door</i>	<i>2</i>
<i>Model UC-24B Cosmetic</i>	<i>4</i>
<i>Model UC-24B Mechanical</i>	<i>6</i>
<i>Model UC-24B Sealed System</i>	<i>8</i>
<hr/>	
<i>Model UC-24C Door</i>	<i>10</i>
<i>Model UC-24C Cosmetic</i>	<i>12</i>
<i>Model UC-24C Mechanical</i>	<i>14</i>
<i>Model UC-24C Sealed System</i>	<i>16</i>
<hr/>	
<i>Model UC-24R Door</i>	<i>18</i>
<i>Model UC-24R Cosmetic</i>	<i>20</i>
<i>Model UC-24R Mechanical</i>	<i>22</i>
<i>Model UC-24R Sealed System</i>	<i>24</i>
<hr/>	
<i>Model UC-24RO Door</i>	<i>26</i>
<i>Model UC-24RO Cosmetic</i>	<i>28</i>
<i>Model UC-24RO Mechanical</i>	<i>30</i>
<i>Model UC-24RO Sealed System</i>	<i>32</i>
<hr/>	
<i>Icemaker</i>	<i>34</i>

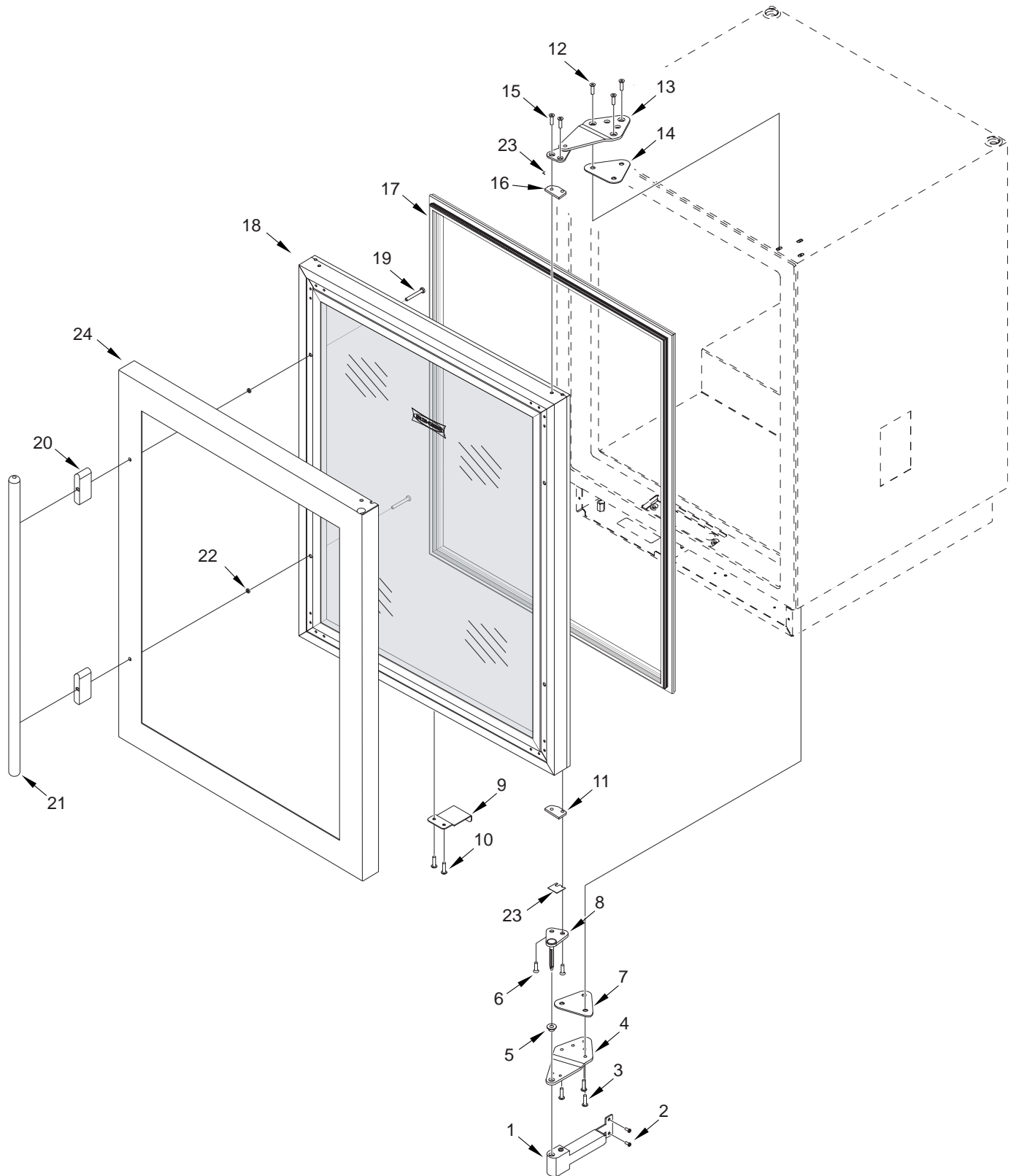


UC-24B DOOR VIEW PARTS LIST

<u>Ref #</u>	<u>Part #</u>	<u>Description</u>
1	3540810	Closer, Door 150Lb
2	6200780	Screw, #10-24 x 1/2" PH Hex Washer
3	6200780	Screw, #10-24 x 1/2" PH Hex Washer
4	3541111	Hinge, Cabinet Bottom- Black
	3541112	Hinge, Cabinet Bottom- Silver
5	NA	Part of Bottom Door Hinge Assembly (see Ref #8)
6	6110610	Screw, #10-24 x 3/4 FL Socket HD
7	7002351	Spacer, Hinge Bottom Svce
8	3541093	Hinge, Door Bottom - RH Black
	3541094	Hinge, Door Bottom - LH Black
	3541095	Hinge, Door Bottom - RH Silver
	3541096	Hinge, Door Bottom - LH Silver
9	7001959	Depressor, Switch Svce
10	6110020	Bolt, #10-24 x 3/8" Truss HD
11	7001958	Spacer, Hinge Svce (SS Units)
	3541131	Shim, Door Black (Overlay Units)
12	6110540	Bolt, #10-24 x 1/2" Flat Socket HD (Silver)
13	3541121	Hinge, Cabinet Top Assy Black
	3541122	Hinge, Cabinet Top Assy Silver
14	7002350	Spacer, Hinge Top Svce
15	6110610	Screw, #10-24 x 3/4 FL Socket HD
16	7001958	Spacer, Hinge Svce (SS Units)
	3541131	Shim, Door Black (Overlay Units)
17	7002357	Gasket, Door Svce
18	7002671	Door Assy, Svce (Overlay, RH & LH)
	7002673	Door Assy, Svce (High Altitude Overlay, RH & LH)
	7002675	Door Assy, Svce (Stainless Steel, RH & LH)
	7002677	Door Assy, Svce (High Altitude Stainless Steel, RH & LH)
		NOTE: Door Assemblies Include Gasket and Switch Depressor; Do not include Hinges, Handle or Panel
19	6110790	Screw, Mach #10-24X1-3/4 Pan HD (SS Units)
20	3512190	Standoff, SS Oval (SS Units)
21	3512030	Handle, Door SS 3/4X24.188 (SS Units)
22	6160250	Spacer, Do or Handle (SS Units)
23	0862340	Shim, Door Hinge (SS Units)
24	7002691	Panel Assy, RH Svce (Hinge Right) (SS Units)
	7002692	Panel Assy, RH Svce (Hinge Left) (SS Units)



UC-24B DOOR VIEW





UC-24B COSMETIC VIEW PARTS LIST

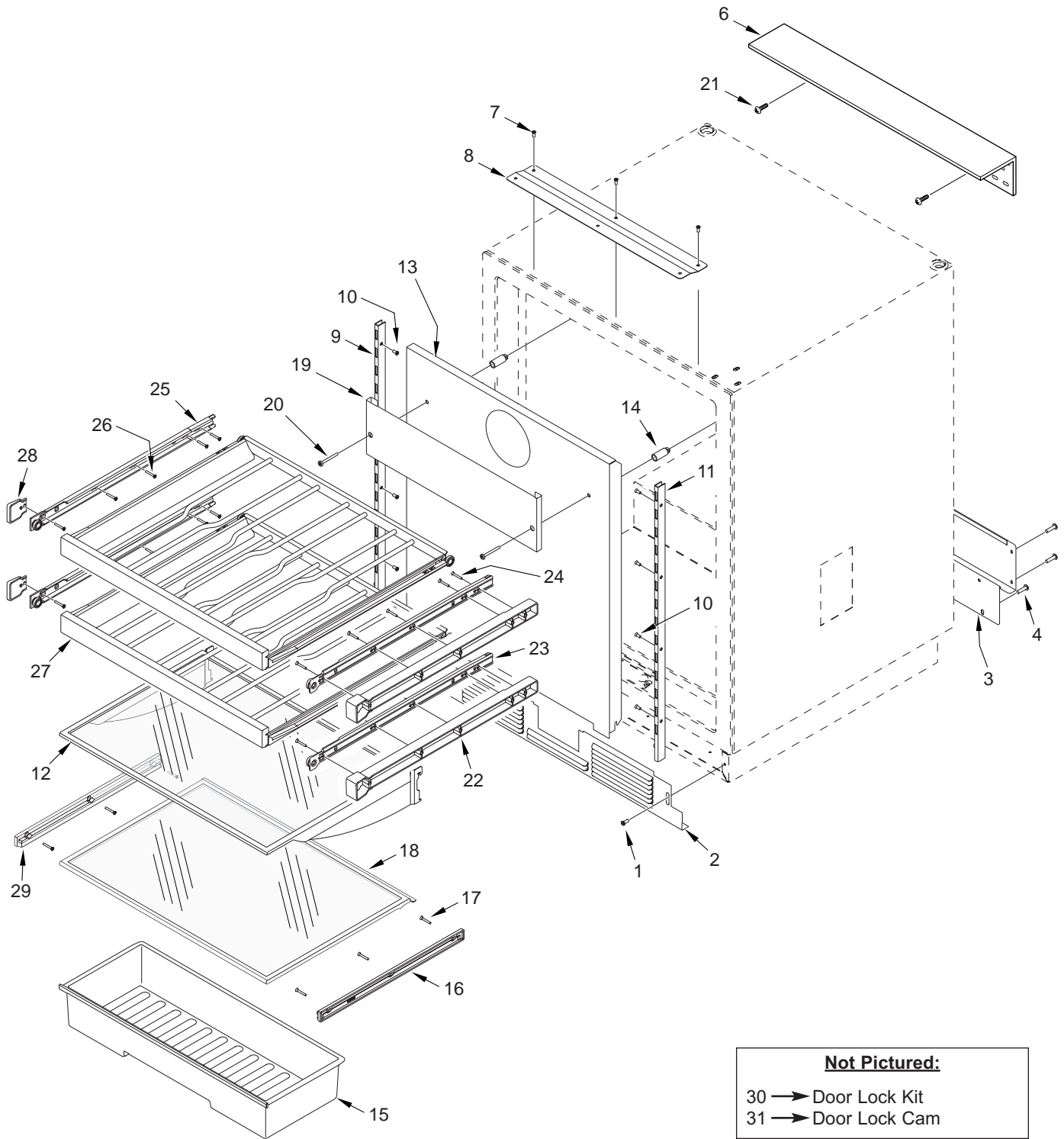
<u>Ref #</u>	<u>Part #</u>	<u>Description</u>
1	6200050	Screw, #10-12 x 1/2" Pan HD
2	7002353	Kickplate, Silver Svce
	7002354	Kickplate, Black Svce
	7004423	Kickplate, UC, For Lock, Svce (Black Kickplate for UCLOCK Kit)
	7004424	Kickplate, UC SS For Lock, Svce (Silver Kickplate for UCLOCK Kit)
3	7002139	Cover, Unit Svce
4	6201270	Screw, #8-18 x 5/8" PH PN SS-Gnd
5	NA	
6	0168810	Anti Tip Bracket - 23-7/8"
7	6200780	Screw, #10-24 x 1/2" PH Hex Washer
8	3421980	Bracket, Ref to Countertop
9	7001874	Shelf Ladder, LH Svce
10	6200710	Screw, #8-18 X 1/2 PH SS Type AB
11	7001875	Shelf Ladder, RH Svce
12	7001877	Shelf, Cantilever Svce
13	7002178	Cover, Evap Svce
14	7001108	Standoff, 7/8"
15	7001894	Bin, Svce
16	7001891	Slide, Bin RH Svce
17	6201230	Screw, #8 x 7/8" A#7 PH FT Head
18	7001879	Floor, Glass Svce
19	7002355	Shroud, Fan Svce
20	6201010	Screw, #8-15 x 2" Pan Head
21	4260720	Kit, Install Hardware
22	3421820	Spacer, Slide Sprt (Hinge Side)
23	7002191	Slide, Cabinet RH Svce
24	6201240	Screw, #8 x 1-3/8" A#7 PH FT Head (Hinge Side)
25	7002192	Slide, Cabinet LH Svce
26	6201230	Screw, #8 x 7/8" A#7 PH FT Head (Handle Side)
27	7002190	Shelf Assy, Wine Svce
28	3421830	Spacer, Slide (Handle Side)
29	7001892	Slide, Bin LH Svce

Not Pictured:

30	7001575	Kit, Lock (UCLOCK Kit, Includes Lock Components & Kickplates)
31	7004425	Cam, Lock Svce (Part of UCLOCK Kit)



UC-24B COSMETIC VIEW





UC-24B MECHANICAL VIEW PARTS LIST

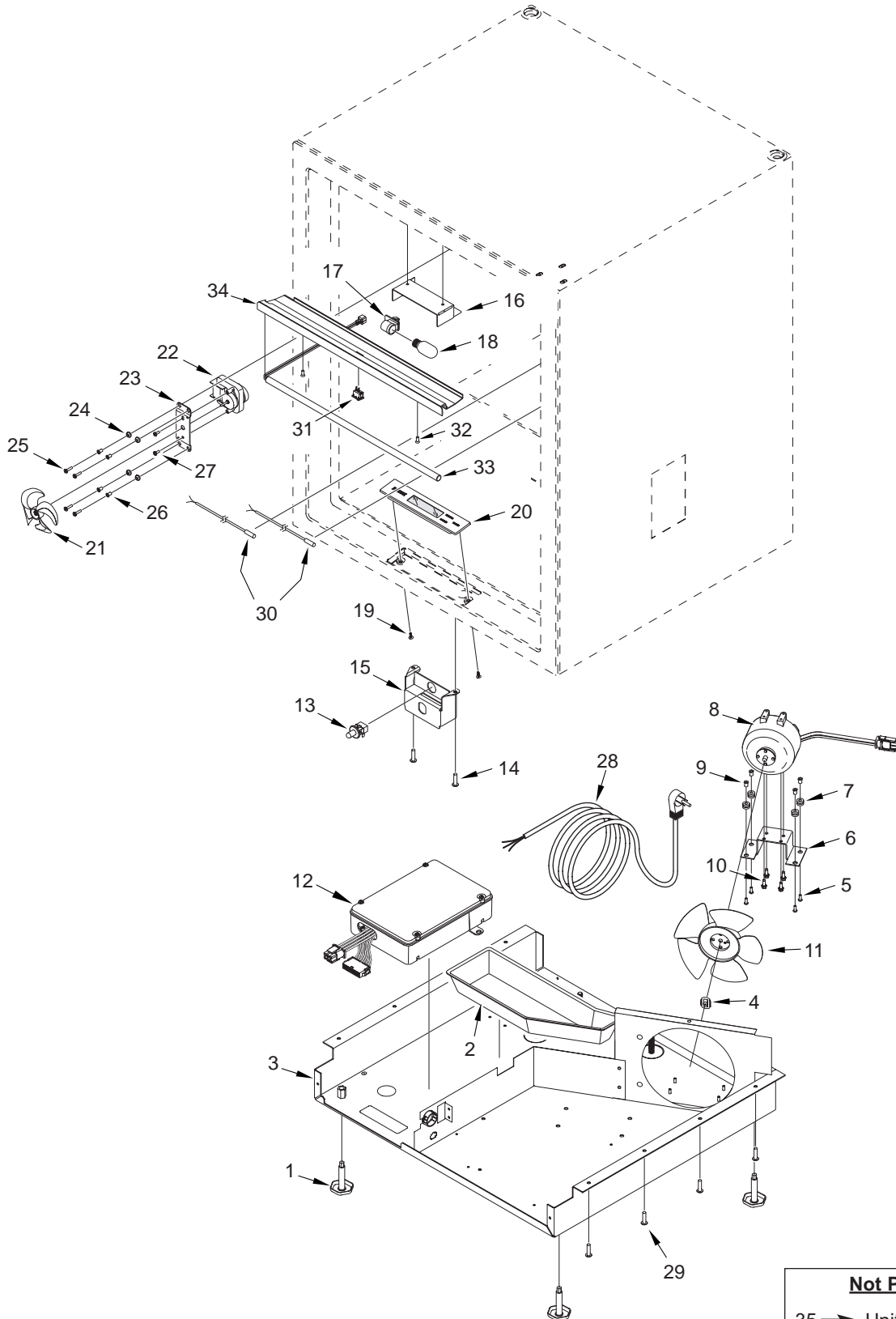
<u>Ref #</u>	<u>Part #</u>	<u>Description</u>	<u>Ref #</u>	<u>Part #</u>	<u>Description</u>
1	3570050	Leveling Leg, #18-3/8 x 1"	18	3030060	Bulb, Light 25W 1X2-1/2
2	7002138	Drain Pan, Svce	19	6200860	Screw, #8 x 1/2" PH TRDH Hi-lo
3	7002679	Unit Tray Assy, Svce	20	7002117	Display Assy, Ref Svce
4	6150410	Nut, 1/4-20	21	3150640	Blade, Evap Fan
5	6200610	Screw, #6-32 x 3/8" PH Rd Hd, Zinc	22	4220801	Motor Assy, Evap Fan Srvc
6	0263131	Bracket, Condenser Srvc	23	0212330	Bracket, Evap Fan Motor
7	3220160	Grommet, 3/16" x 7/16" x 9/32"	24	3220250	Grommet, Rubber-M5351
8	3150930	Motor, Condenser 1 WATT	25	6201270	Screw, #8-18 x 5/8" PH PN SS-Gnd
9	6220290	Stand-Off, #6-32	26	3520120	Insert, Br ass 3/16X9/32
10	6201580	Screw,#8-36 X 1/2 Nylon Patch	27	6110270	Bolt, #10-32 x 1/4" RD HD
11	3150940	Blade, Condenser Fan	28	7002328	Cord, Power Svce
12	7002137	Control Assy, U/C Svce	29	6110020	Bolt, #10-24 x 3/8" Truss HD
13	7004258	Switch, Light Black Svce	30	4204740	Therm Assy, Svce
14	6110020	Bolt, #10-24 x 3/8" Truss HD	31	7002194	Switch, Light Svce
15	7002237	Bracket, Switch Svce	32	6201310	Screw, #8 x 1-3/4" Flat PH HD
16	0212932	Bracket, Light SRVC-Base	33	3030150	Strip, Light 15 Watt
17	3050220	Socket, Light Int Base Sngl	34	7002193	Bracket, Light Svce

Not Pictured:

35	7002235	W/H, Ref Svce
----	---------	---------------



UC-24B MECHANICAL VIEW



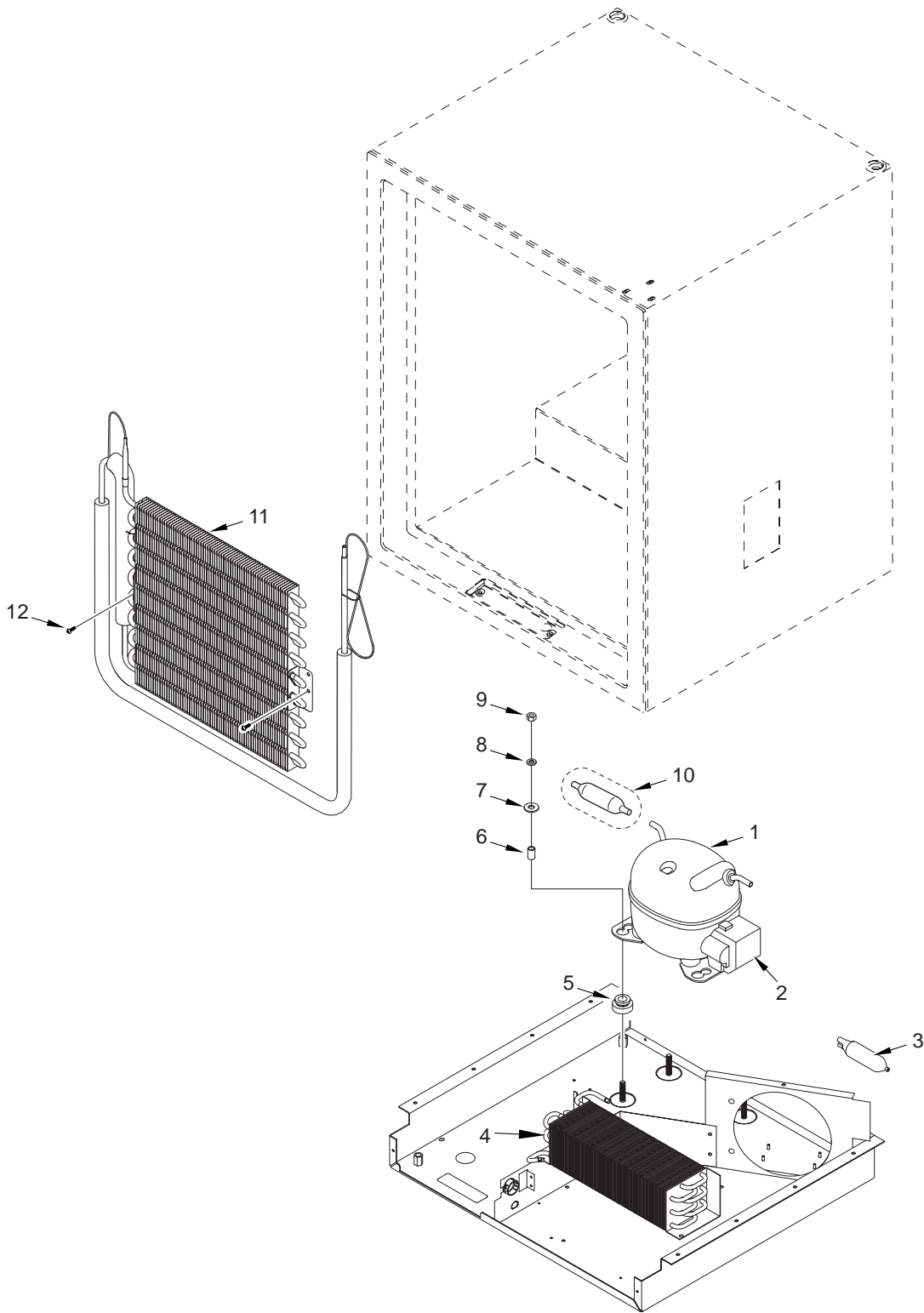
Not Pictured:
35 → Unit Wire Harness

**UC-24B SEALED SYSTEM VIEW PARTS LIST**

<u>Ref #</u>	<u>Part #</u>	<u>Description</u>
1	7002177	Compressor, Svce (EMU45HSC) (Includes Electricals and Drier)
2	7000964	Electricals, Compressor, EMU45
	3112500	Capacitor, 12 Mf
	3112420	Term Cvr Spring, EGZ80
3	3014230	Filter-Drier, High Side
4	7002176	Condenser, Svce (Includes Drier)
5	3150010	Mount, Rubber #70456-1
6	6160030	Spacer, 5/16 x 7/16 x 5/8"
7	6240050	Washer, Flat 5/16"
8	6240090	Lock Washer, 5/16"
9	6150220	Nut, 5/16-18 Hex Zinc
10	3014100	Drier, Suct Line (Service Only)
11	3130640	Evaporator, Ref
	7002174	Evap Assy, Svce (Includes Heat Exchanger & Drier)
12	6201270	Screw, #8-18 x 5/8" PH PN SS-Gnd



UC-24B SEALED SYSTEM VIEW

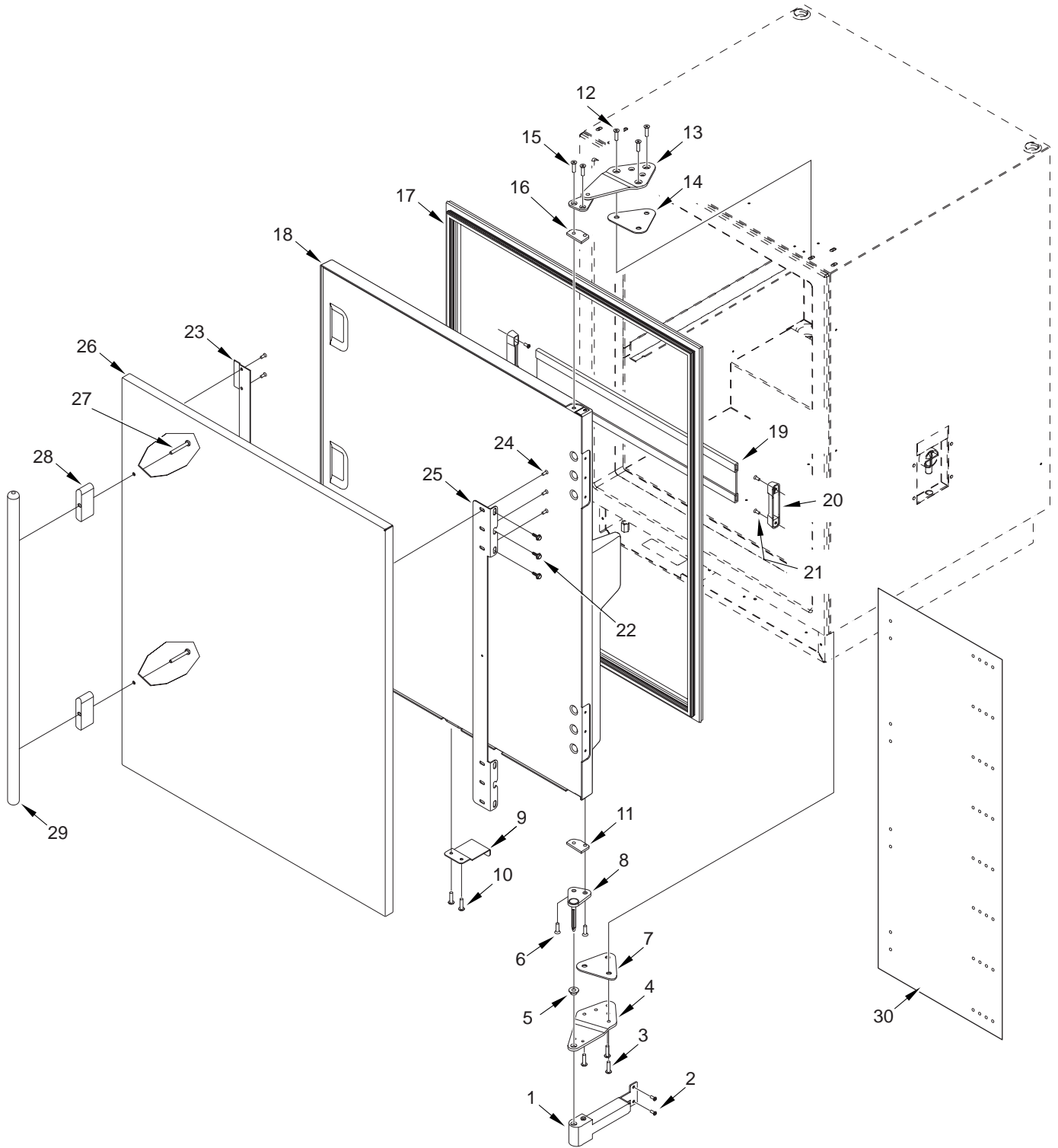




UC-24C DOOR PARTS LIST

<u>Ref #</u>	<u>Part #</u>	<u>Description</u>
1	3540810	Closer, Door 150Lb
2	6200780	Screw, #10-24 x 1/2" PH Hex Washer
3	6200780	Screw, #10-24 x 1/2" PH Hex Washer
4	3541111	Hinge, Cabinet Bottom- Black
5	NA	Part of Bottom Door Hinge Assembly (see Ref #8)
6	6110610	Screw, #10-24 x 3/4 FL Socket HD
7	7002351	Spacer, Hinge Bottom Svce
8	3541093	Hinge, Door Bottom - RH Black
	3541094	Hinge, Door Bottom - LH Black
9	7001959	Depressor, Switch Svce
10	6110020	Bolt, #10-24 x 3/8" Truss HD
11	7001899	Spacer, Hinge Svce
12	6110540	Bolt, #10-24 x 1/2" Flat Socket HD (Silver)
13	3541121	Hinge, Cabinet Top Assy Black
14	7002350	Spacer, Hinge Top Svce
15	6110610	Screw, #10-24 x 3/4 FL Socket HD
16	7001899	Spacer, Hinge Svce
17	7002000	Gasket, Door Svce
18	7002455	Door Assy, RH Svce
	7002456	Door Assy, LH Svce
		NOTE: Door Assemblies Include Gasket, Shelf and Switch Depressor; Do not include Hinges
19	7001896	Retainer, Shelf svce
20	7001895	Clip, Retainer Svce
21	6201260	Screw, #6 X 3/8" PH FT Head
22	6201500	#10X3/4 Drill PH Hex Wash
23	7001897	Bracket, Panel Svce (Handle Side)
24	6200720	#8-18 x 1/2 PH Truss HD
25	7001898	Bracket, Panel Svce (Hinge Side)
26	7001381	Kit, Panel U/C (Sales Accessory)
27	6110640	Bolt,#10-24 X 1-1/2 RD HD (Part of SA #7001381)
28	3512190	Standoff, SS Oval (Part of SA #7001381)
29	3512030	Handle, Door SS 3/4X24.188 (Part of SA #7001381)
30	7004419	Template, Drilling Svce (For Overlay Door Panels)

UC-24C DOOR VIEW





UC-24C COSMETIC PARTS LIST

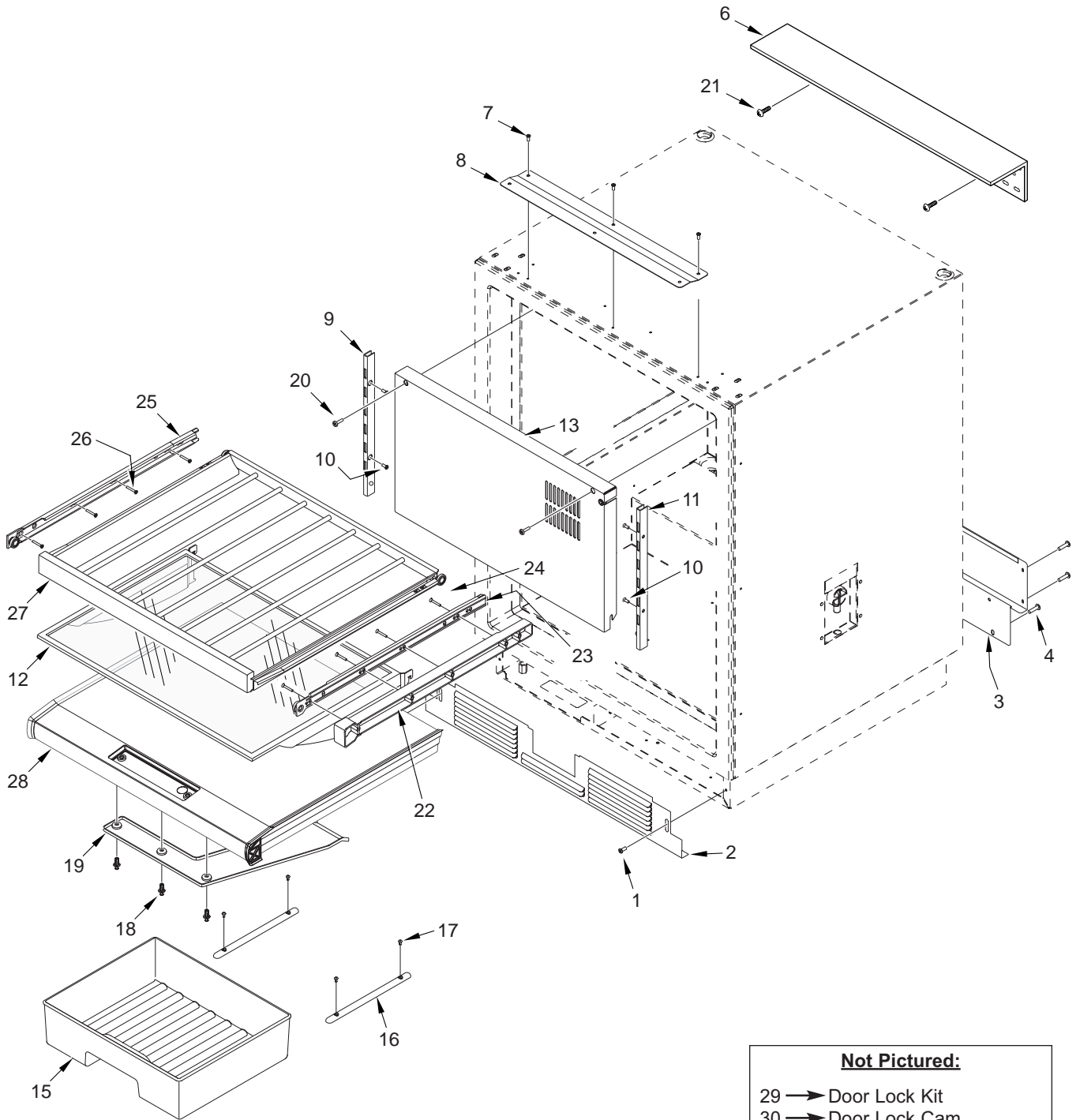
<u>Ref #</u>	<u>Part #</u>	<u>Description</u>
1	6200050	Screw, #10-12 x 1/2" Pan HD
2	7002354	Kickplate, Black Svce
	7004423	Kickplate, UC, For Lock, Svce (Black Kickplate for UCLOCK Kit)
	7004424	Kickplate, UC SS For Lock, Svce (Silver Kickplate for UCLOCK Kit)
3	7002139	Cover, Unit Svce
4	6201270	Screw, #8-18 x 5/8" PH PN SS-Gnd
5	NA	
6	0168810	Anti Tip Bracket - 23-7/8"
7	6200780	Screw, #10-24 x 1/2" PH Hex Washer
8	3421980	Bracket, Ref to Countertop
9	7002214	Shelf Ladder, LH Svce
10	6200710	Screw, #8-18 X 1/2 PH SS Type AB
11	7002213	Shelf Ladder, RH Svce
12	7001876	Shelf, Cantilever Svce
13	7002199	Cover, Liner Svce
14	NA	
15	7002215	Bin, Ice Svce
16	7002216	Slide, Ice Bin Svce
17	6180290	Snap Rivet, Plastic
18	6180330	Rivet, Plastic 1/4 DIA
19	7002219	Cover, Wire Svce
20	6201270	Screw, #8-18 x 5/8" PH PN SS-Gnd
21	4260720	Kit, Install Hardware
22	7002204	Spacer, Slide Svce (Hinge Side)
23	7002211	Slide, Cabinet RH Svce
24	6201240	Screw, #8 x 1-3/8" A#7 PH FT Head (Hinge Side)
25	7002212	Slide, Cabinet LH Svce
26	6201230	Screw, #8 x 7/8" A#7 PH FT Head (Handle Side)
27	7002198	Shelf Assy, Wine Svce
28	7002217	Mullion Assy, Svce
	7002218	Gasket, Mullion Svce

Not Pictured:

29	7001575	Kit, Lock (UCLOCK Kit, Includes Lock Components & Kickplates)
30	7004425	Cam, Lock Svce (Part of UCLOCK Kit)



UC-24C COSMETIC VIEW





UC-24C MECHANICAL PARTS LIST

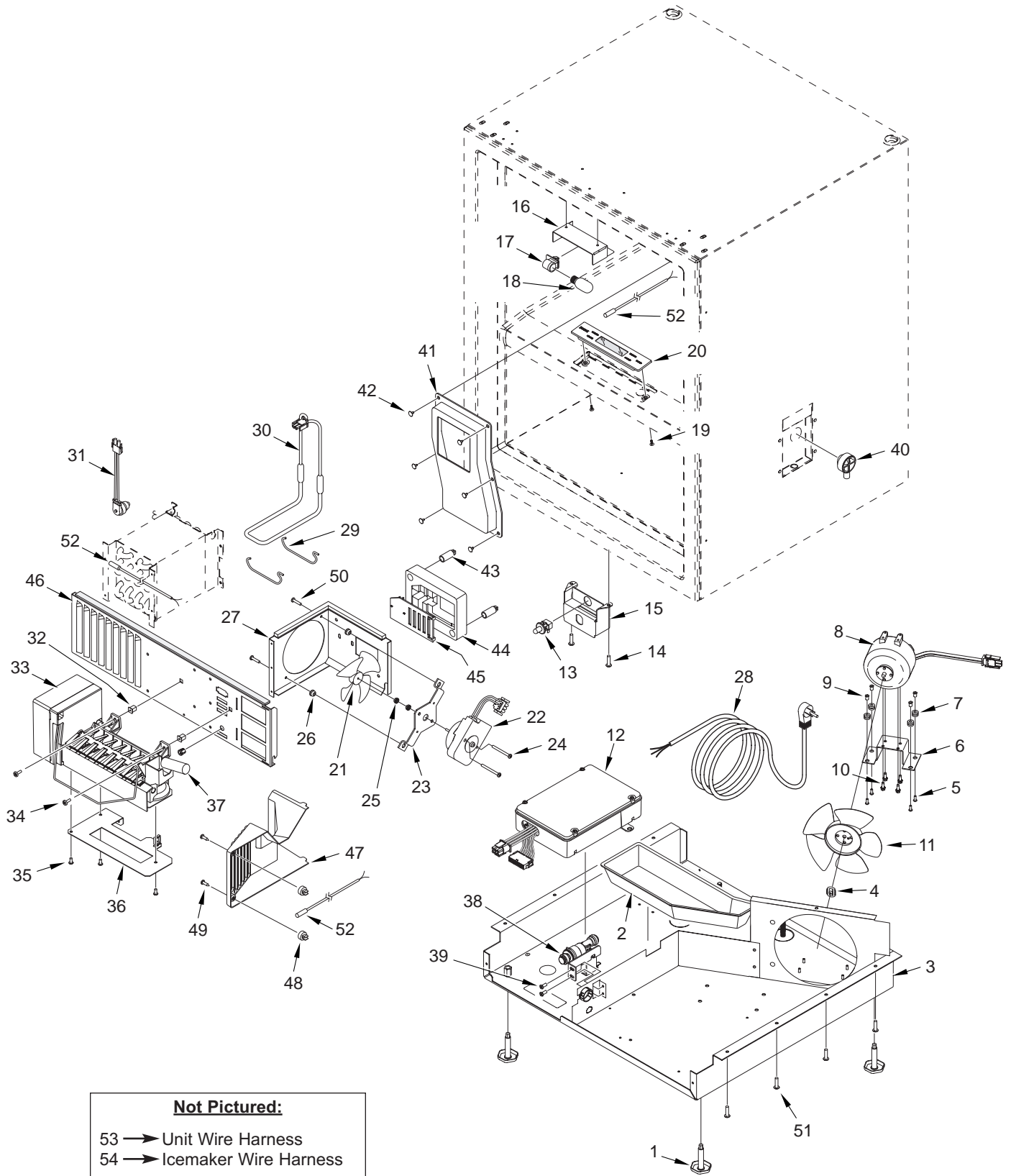
Ref #	Part #	Description	Ref #	Part #	Description
1	3570050	Leveling Leg, #18-3/8 x 1"	29	1811100	Clip, Heater
2	7002138	Drain Pan, Svce	30	7004261	Heater Assy, Defrost Svce
3	7002679	Unit Tray Assy, Svce	31	3082060	Terminator, Defrost
4	6150410	Nut, 1/4-20	32	6220220	Screw Grommet, 1/32 x 3/8" SQ
5	6200610	Screw, #6-32 x 3/8" PH Rd Hd, Zinc	33	4200520	Ice Maker Assy, Replacement
6	0263131	Bracket, Condenser Svce			<i>(See IM Breakdown at back of this parts manual)</i>
7	3220160	Grommet, 3/16" x 7/16" x 9/32"		7002234	W/H, Icemaker Svce (Not Shown)
8	3150930	Motor, Condenser 1 WATT		6120360	Clip, Snap-In Wire (Not Shown)
9	6220290	Stand-Off, #6-32	34	6200120	Screw, #10-12 x 1/2" Truss HD (SS)
10	6201580	Screw,#8-36 X 1/2 Nylon Patch	35	6201000	Screw #8-32 X 3/8 Thread Forming
11	3150940	Blade, Condenser Fan	36	7002233	Bracket, Icemaker Svce
12	7002137	Control Assy, U/C Svce	37	2605405	Tube, Extension Fill
13	7004258	Switch, Light Black Svce	38	7004267	Valve, Water Quick connect Svce
14	6110020	Bolt, #10-24 x 3/8" Truss HD		3026450	Tube, Plastic Water Pex
15	7002358	Bracket, Switch Svce	39	6201270	Screw, #8-18 x 5/8" PH PN SS-Gnd
16	0212932	Bracket, Light SRVC-Base	40	1607600	Tube, Inlet
17	3050220	Socket, Light Int Base Sngl	41	7002232	Duct, Ref Svce
18	3030060	Bulb, Light 25W 1X2-1/2	42	6201890	Screw, #8-15 X 3/8" 6 Lobe Trhd
19	6200860	Screw, #8 x 1/2" PH TRDH Hi-lo	43	6160310	Standoff, Nylon 1"
20	7002136	Display Assy, Over/Under Svce	44	7002231	Duct, Baffle Svce
21	3150520	Blade, Fan 4"	45	3014140	Control, Baffle
22	7003817	Motor,Fre Fan,Svce	46	7002229	Cover, Evap Svce
23	0260360	Bracket, Fan Ref	47	7002356	Duct, Air Svce
24	6201820	Screw, #8-32X1 3/4 SS PNHD	48	6220230	Screw Grommet, 1/4" x 5/8" Rd.
25	6201450	Nut,#8-32 KEPS	49	6201290	Screw, #8-15 PH PN HD SS, White
26	6150850	Wellnut, #8-32	50	6201470	Screw, #8-32X3/4 SS
27	7002230	Shroud, Fan Svce	51	6110020	Bolt, #10-24 x 3/8" Truss HD
28	7002602	Cord, Power Svce	52	4204740	Therm Asm, Svce

Not Pictured:

53	7002236	W/H, Over/Under Svce
54	7002234	W/H, Icemaker Svce



UC-24C MECHANICAL VIEW

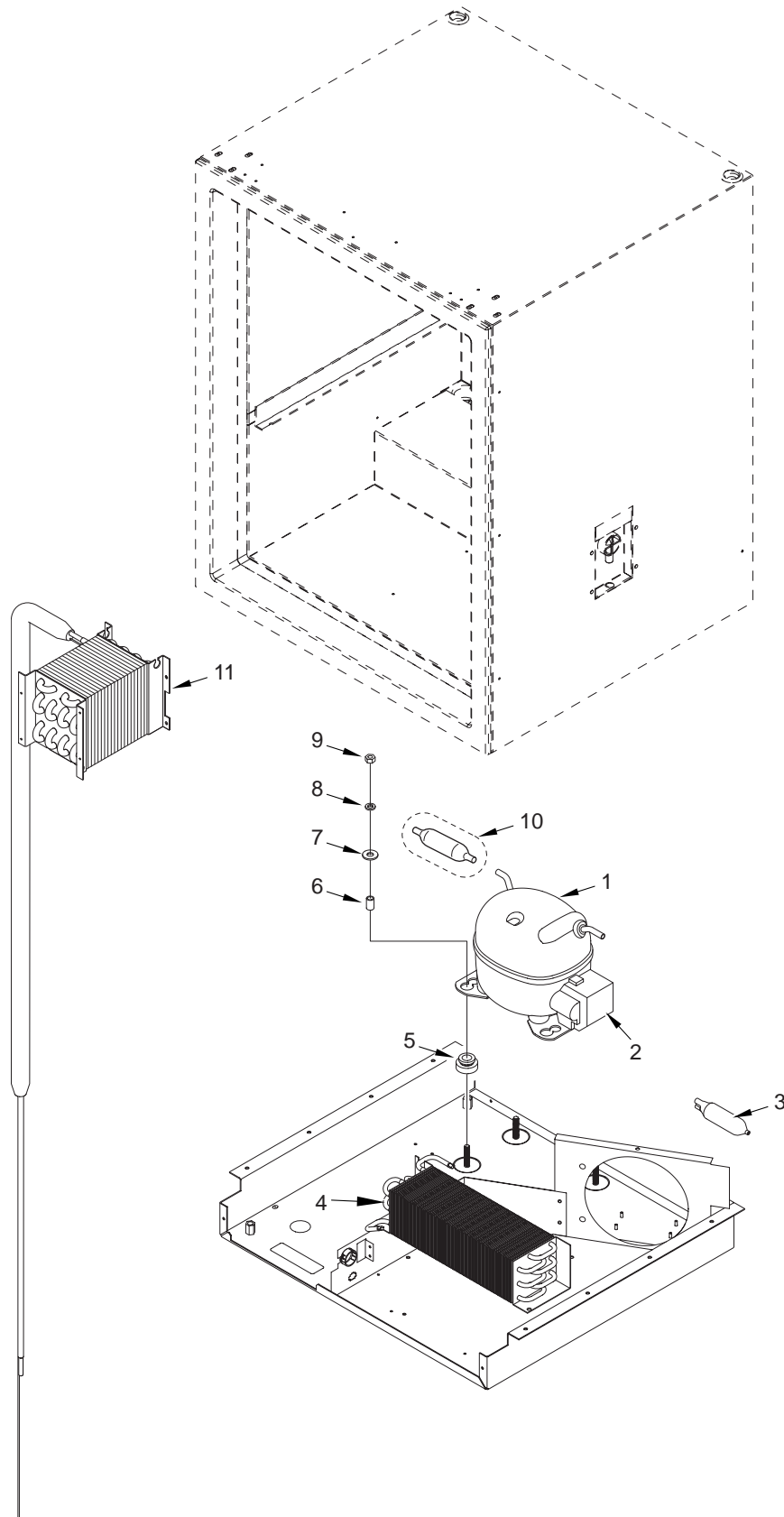


**UC-24C SEALED SYSTEM PARTS LIST**

<u>Ref #</u>	<u>Part #</u>	<u>Description</u>
1	7002177	Compressor, Svce (EMU45HSC) (Includes Electricals and Drier)
2	7000964	Electricals, Compressor, EMU45
	3112500	Capacitor, 12 Mf
	3112420	Term Cvr Spring, EGZ80
3	3014230	Filter-Drier, High Side
4	7002176	Condenser, Svce (Includes Drier)
5	3150010	Mount, Rubber #70456-1
6	6160030	Spacer, 5/16 x 7/16 x 5/8"
7	6240050	Washer, Flat 5/16"
8	6240090	Lock Washer, 5/16"
9	6150220	Nut, 5/16-18 Hex Zinc
10	3014100	Drier, Suct Line (Service Only)
11	7002197	Evap, Fre Svce
	7002175	Evap Assy, Svce (Includes Heat Exchanger, Heater, Terminator & Drier)



UC-24C SEALED SYSTEM VIEW



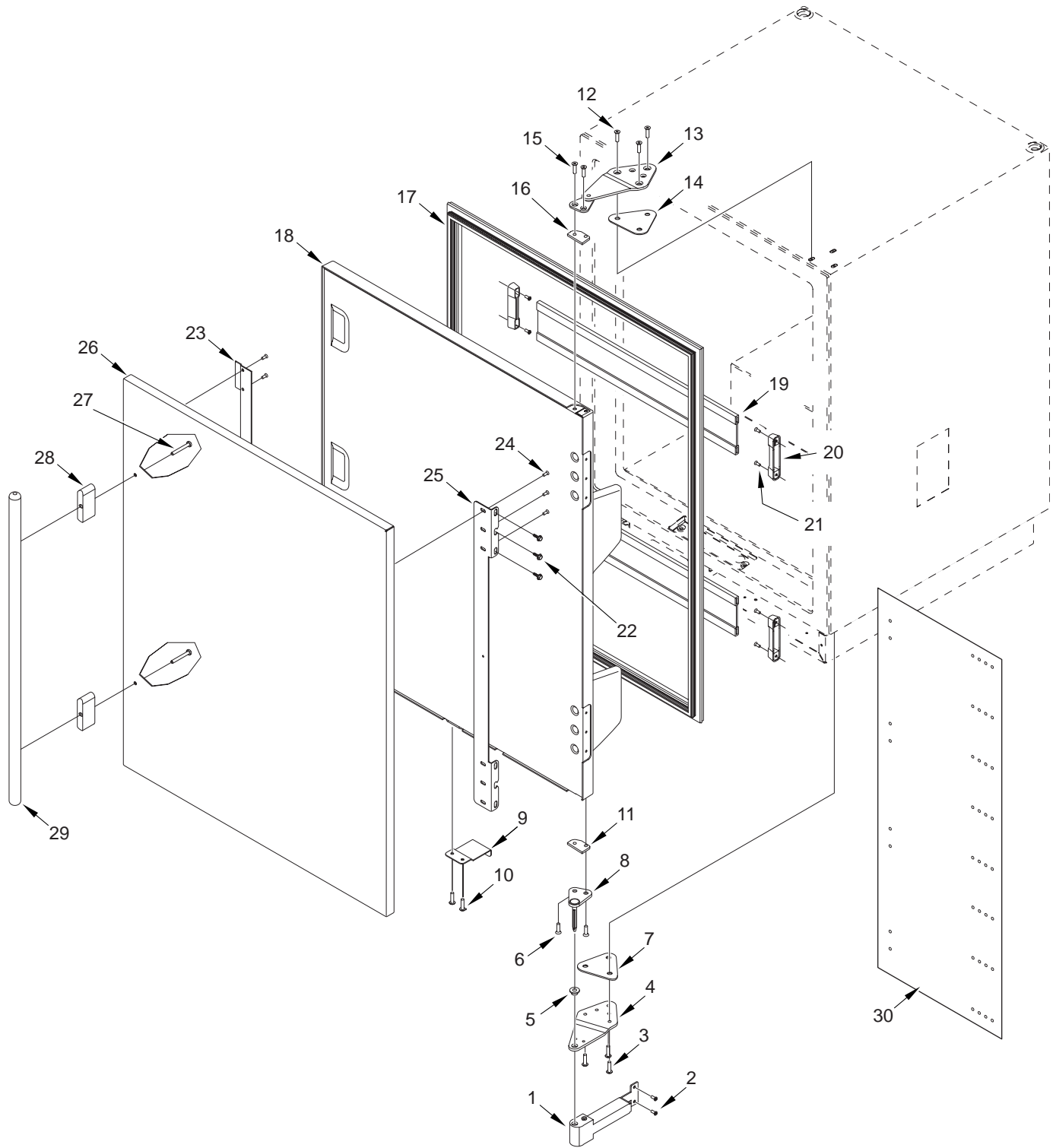


UC-24R DOOR VIEW PARTS LIST

<u>Ref #</u>	<u>Part #</u>	<u>Description</u>
1	3540810	Closer, Door 150Lb
2	6200780	Screw, #10-24 x 1/2" PH Hex Washer
3	6200780	Screw, #10-24 x 1/2" PH Hex Washer
4	3541111	Hinge, Cabinet Bottom- Black
5	NA	Part of Bottom Door Hinge Assembly (see Ref #8)
6	6110610	Screw, #10-24 x 3/4 FL Socket HD
7	7002351	Spacer, Hinge Bottom Svce
8	3541093	Hinge, Door Bottom - RH Black
	3541094	Hinge, Door Bottom - LH Black
9	7001959	Depressor, Switch Svce
10	6110020	Bolt, #10-24 x 3/8" Truss HD
11	7001899	Spacer, Hinge Svce (R Only)
12	6110540	Bolt, #10-24 x 1/2" Flat Socket HD (Silver)
13	3541121	Hinge, Cabinet Top Assy Black
14	7002350	Spacer, Hinge Top Svce
15	6110610	Screw, #10-24 x 3/4 FL Socket HD
16	7001899	Spacer, Hinge Svce (R Only)
17	7002000	Gasket, Door Svce
18	7002651	Door Assy, RH Svce
	7002652	Door Assy, LH Svce
		NOTE: Door Assemblies Include Gasket, Shelves and Switch Depressor; Do not include Hinges
19	7001896	Retainer, Shelf svce
20	7001895	Clip, Retainer Svce
21	6201260	Screw, #6 X 3/8" PH FT Head
22	6201500	#10X3/4 Drill PH Hex Wash
23	7001897	Bracket, Panel Svce (Handle Side)
24	6200720	#8-18 x 1/2 PH Truss HD
25	7001898	Bracket, Panel Svce (Hinge Side)
26	7001381	Kit, Panel U/C (Sales Accessory)
27	6110640	Bolt,#10-24 X 1-1/2 RD HD (Part of SA #7001381)
28	3512190	Standoff, SS Oval (Part of SA #7001381)
29	3512030	Handle, Door SS 3/4X24.188 (Part of SA #7001381)
30	7004419	Template, Drilling Svce (For Overlay Door Panels)



UC-24R DOOR VIEW





UC-24R COSMETIC VIEW PARTS LIST

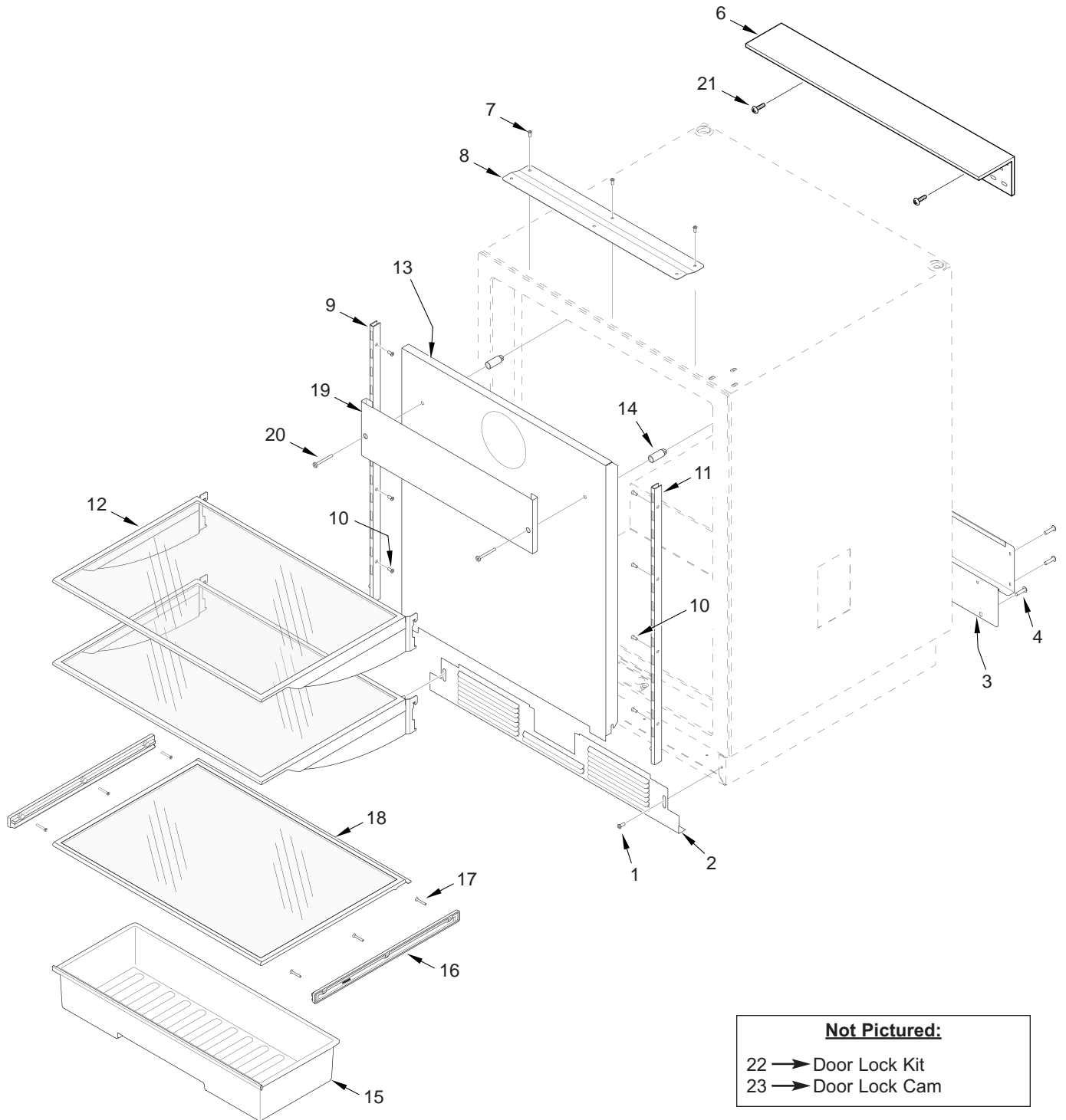
<u>Ref #</u>	<u>Part #</u>	<u>Description</u>
1	6200050	Screw, #10-12 x 1/2" Pan HD
2	7002354	Kickplate, Black Svce
	7004423	Kickplate, UC, For Lock, Svce (Black Kickplate for UCLOCK Kit)
	7004424	Kickplate, UC SS For Lock, Svce (Silver Kickplate for UCLOCK Kit)
3	7002139	Cover, Unit Svce (R Only)
4	6201270	Screw, #8-18 x 5/8" PH PN SS-Gnd
5	NA	
6	0168810	Anti Tip Bracket - 23-7/8"
7	6200780	Screw, #10-24 x 1/2" PH Hex Washer
8	3421980	Bracket, Ref to Countertop
9	7001874	Shelf Ladder, LH Svce
10	6200710	Screw, #8-18 X 1/2 PH SS Type AB
11	7001875	Shelf Ladder, RH Svce
12	7001876	Shelf, Cantilever Svce
13	7002178	Cover, Evap Svce
14	7001108	Standoff, 7/8"
15	7001893	Bin, Svce
16	7001890	Slide, Bin Svce
17	6201230	Screw, #8 x 7/8" A#7 PH FT Head
18	7001878	Floor, Glass Svce
19	7002355	Shroud, Fan Svce
20	6201010	Screw, #8-15 x 2" Pan Head
21	4260720	Kit, Install Hardware

Not Pictured:

22	7001575	Kit, Lock (UCLOCK Kit, Includes Lock Components & Kickplates)
23	7004425	Cam, Lock Svce (Part of UCLOCK Kit)



UC-24R COSMETIC VIEW





UC-24R MECHANICAL VIEW PARTS LIST

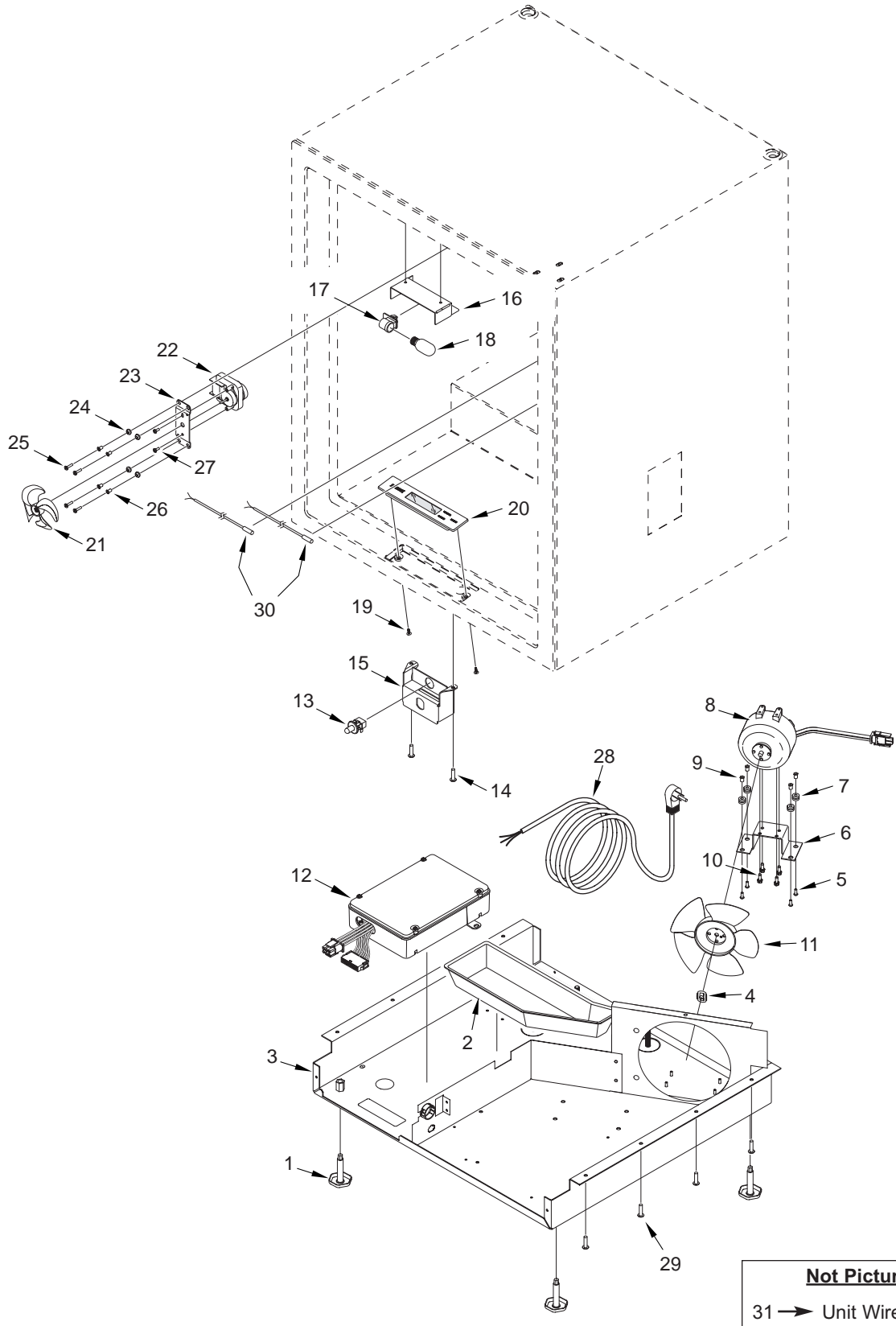
<u>Ref #</u>	<u>Part #</u>	<u>Description</u>	<u>Ref #</u>	<u>Part #</u>	<u>Description</u>
1	3570050	Leveling Leg, #18-3/8 x 1"	16	0212932	Bracket, Light SRVC-Base
2	7002138	Drain Pan, Svce	17	3050220	Socket, Light Int Base Sngl
3	7002679	Unit Tray Assy, Svce	18	3030060	Bulb, Light 25W 1X2-1/2
4	6150410	Nut, 1/4-20	19	6200860	Screw, #8 x 1/2" PH TRDH Hi-lo
5	6200610	Screw, #6-32 x 3/8" PH Rd Hd, Zinc	20	7002117	Display Assy, Ref Svce
6	0263131	Bracket, Condenser Srvc	21	3150640	Blade, Evap Fan
7	3220160	Grommet, 3/16" x 7/16" x 9/32"	22	4220801	Motor Assy, Evap Fan Srvc
8	3150930	Motor, Condenser 1 WATT	23	0212330	Bracket, Evap Fan Motor
9	6220290	Stand-Off, #6-32	24	3220250	Grommet, Rubber-M5351
10	6201580	Screw,#8-36 X 1/2 Nylon Patch	25	6201270	Screw, #8-18 x 5/8" PH PN SS-Gnd
11	3150940	Blade, Condenser Fan	26	3520120	Insert, Br ass 3/16X9/32
12	7002137	Control Assy, U/C Svce	27	6110270	Bolt, #10-32 x 1/4" RD HD
13	7004258	Switch, Light Black Svce	28	7002602	Cord, Power Svce
14	6110020	Bolt, #10-24 x 3/8" Truss HD	29	6110020	Bolt, #10-24 x 3/8" Truss HD
15	7002358	Bracket, Switch Svce	30	4204740	Therm Assy, Svce

Not Pictured:

31	7002235	W/H, Ref Svce
----	---------	---------------



UC-24R MECHANICAL VIEW

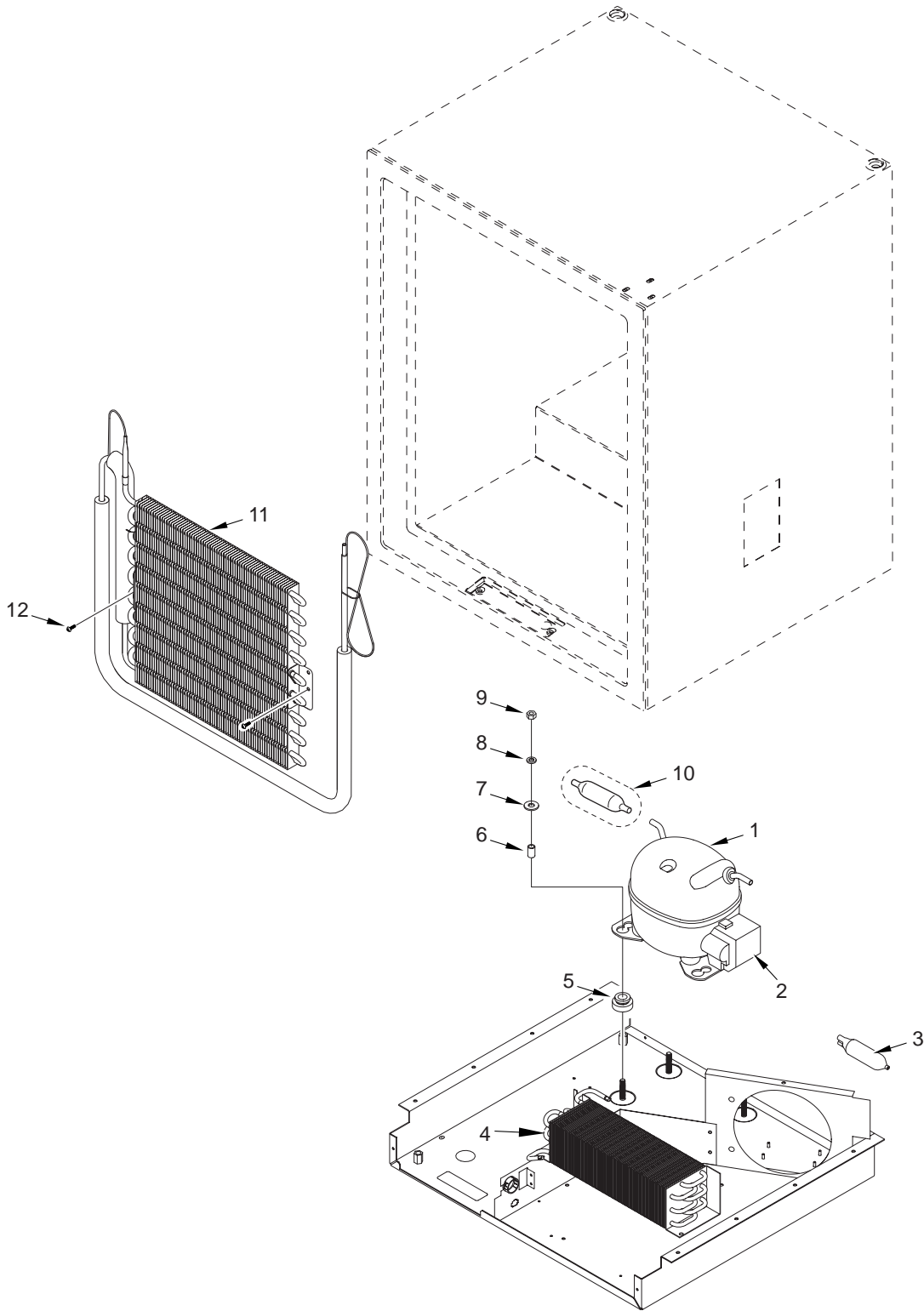


**UC-24R SEALED SYSTEM VIEW PARTS LIST**

<u>Ref #</u>	<u>Part #</u>	<u>Description</u>
1	7002177	Compressor, Svce (EMU45HSC) (Includes Electricals and Drier)
2	7000964	Electricals, Compressor, EMU45
	3112500	Capacitor, 12 Mf
	3112420	Term Cvr Spring, EGZ80
3	3014230	Filter-Drier, High Side
4	7002176	Condenser, Svce (Includes Drier)
5	3150010	Mount, Rubber #70456-1
6	6160030	Spacer, 5/16 x 7/16 x 5/8"
7	6240050	Washer, Flat 5/16"
8	6240090	Lock Washer, 5/16"
9	6150220	Nut, 5/16-18 Hex Zinc
10	3014100	Drier, Suct Line (Service Only)
11	3130640	Evaporator, Ref
	7002174	Evap Assy, Svce (Includes Heat Exchanger & Drier)
12	6201270	Screw, #8-18 x 5/8" PH PN SS-Gnd



UC-24R SEALED SYSTEM VIEW

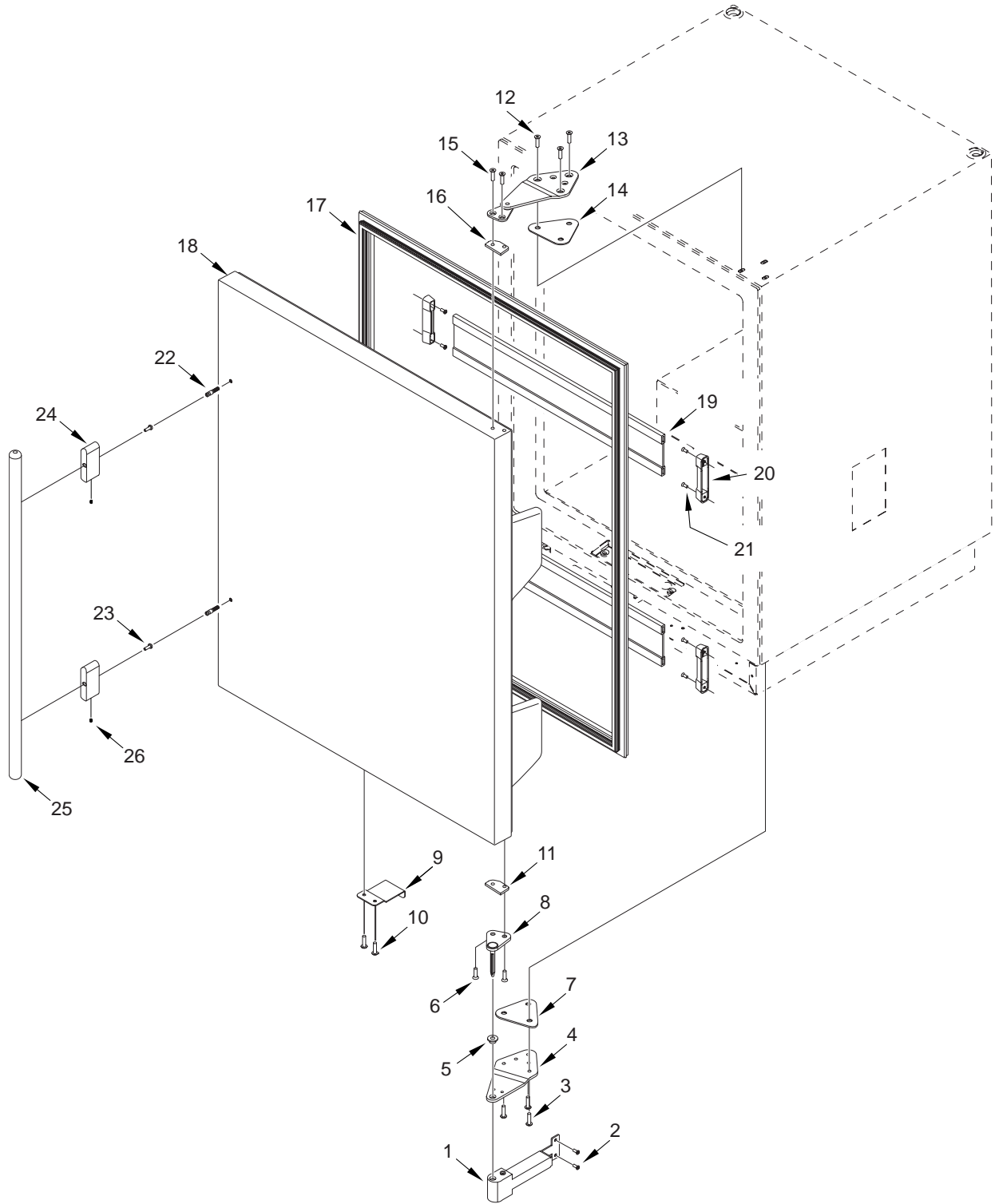




UC-24RO DOOR VIEW PARTS LIST

<u>Ref #</u>	<u>Part #</u>	<u>Description</u>
1	3540810	Closer, Door 150Lb
2	6200780	Screw, #10-24 x 1/2" PH Hex Washer
3	6200780	Screw, #10-24 x 1/2" PH Hex Washer
4	3541111	Hinge, Cabinet Bottom- Black
	3541112	Hinge, Cabinet Bottom- Silver
5	NA	Part of Bottom Door Hinge Assembly (see Ref #8)
6	6110610	Screw, #10-24 x 3/4 FL Socket HD
7	7002351	Spacer, Hinge Bottom Svce
8	3541093	Hinge, Door Bottom - RH Black
	3541094	Hinge, Door Bottom - LH Black
	3541095	Hinge, Door Bottom - RH Silver
	3541096	Hinge, Door Bottom - LH Silver
9	7001959	Depressor, Switch Svce
10	6201370	Screw, #10-24X1/2 Tamper Proof
11	7001958	Spacer, Hinge Svce
12	6110540	Bolt, #10-24 x 1/2" Flat Socket HD (Silver)
13	3541121	Hinge, Cabinet Top Assy Black
	3541122	Hinge, Cabinet Top Assy Silver
14	7002350	Spacer, Hinge Top Svce
15	6110610	Screw, #10-24 x 3/4 FL Socket HD
16	7001958	Spacer, Hinge Svce
17	7002000	Gasket, Door Svce
18	7002653	Door Assy, RH Svce
	7002654	Door Assy, LH Svce
		NOTE: Door Assemblies Include Gasket, Shelves, Handle Standoffs and Switch Depressor; Do not include Hinges or Handles
19	7001896	Retainer, Shelf svce
20	7001895	Clip, Retainer Svce
21	6201260	Screw, #6 X 3/8" PH FT Head
22	7002352	Stud, Handle Svce
23	6110720	Bolt #10-24X1/2 Socket HD Cap
24	7002329	Standoff, Stainless Svce
25	3512030	Handle, Door SS 3/4X24.188
26	6110730	Screw, Set #10-32 X 1/4 SS Cone

UC-24RO DOOR VIEW



**UC-24RO COSMETIC VIEW PARTS LIST**

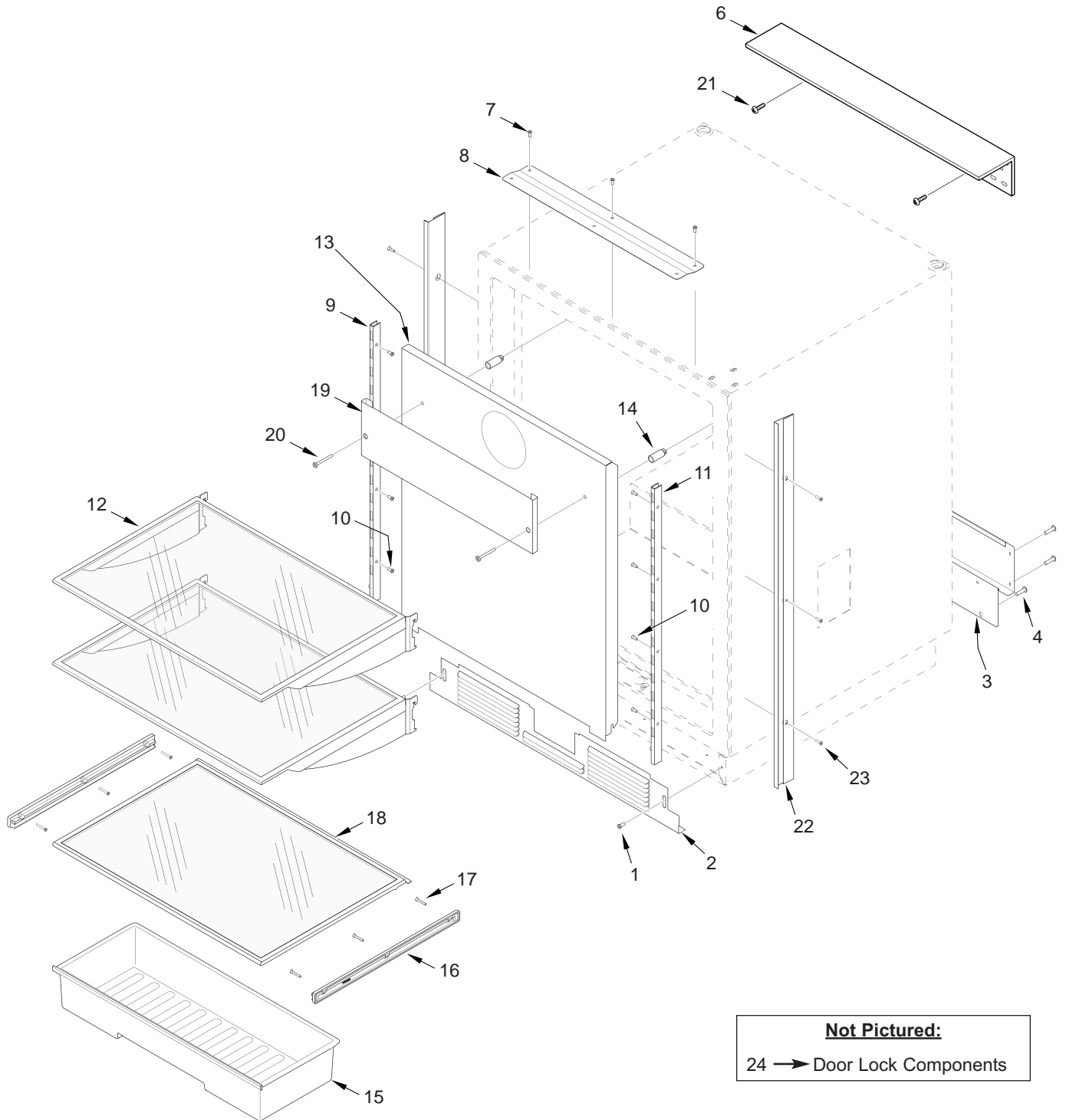
<u>Ref #</u>	<u>Part #</u>	<u>Description</u>
1	6200050	Screw, #10-12 x 1/2" Pan HD
2	7002239	Kickplate, SS RH Svce
	7002327	Kickplate, SS LH Svce
3	7002173	Cover, Unit Svce
4	6201270	Screw, #8-18 x 5/8" PH PN SS-Gnd
5	NA	
6	0168810	Anti Tip Bracket - 23-7/8"
7	6200780	Screw, #10-24 x 1/2" PH Hex Washer
8	3421980	Bracket, Ref to Countertop
9	7001874	Shelf Ladder, LH Svce
10	6200710	Screw, #8-18 X 1/2 PH SS Type AB
11	7001875	Shelf Ladder, RH Svce
12	7001876	Shelf, Cantilever Svce
13	7002178	Cover, Evap Svce
14	7001108	Standoff, 7/8"
15	7001893	Bin, Svce
16	7001890	Slide, Bin Svce
17	6201230	Screw, #8 x 7/8" A#7 PH FT Head
18	7001878	Floor, Glass Svce
19	7002355	Shroud, Fan Svce
20	6201010	Screw, #8-15 x 2" Pan Head
21	4260720	Kit, Install Hardware
22	7002694	Trim, Side Svce
23	6180210	Pop Rivet,LF 1/8X3/16 Aluminum

Not Pictured:

24	7004416	Lock, w/Keys, Nut & Cam, Svce
	7004417	Cam, Lock Svce



UC-24RO COSMETIC VIEW



Not Pictured:
24 → Door Lock Components



UC-24RO MECHANICAL VIEW PARTS LIST

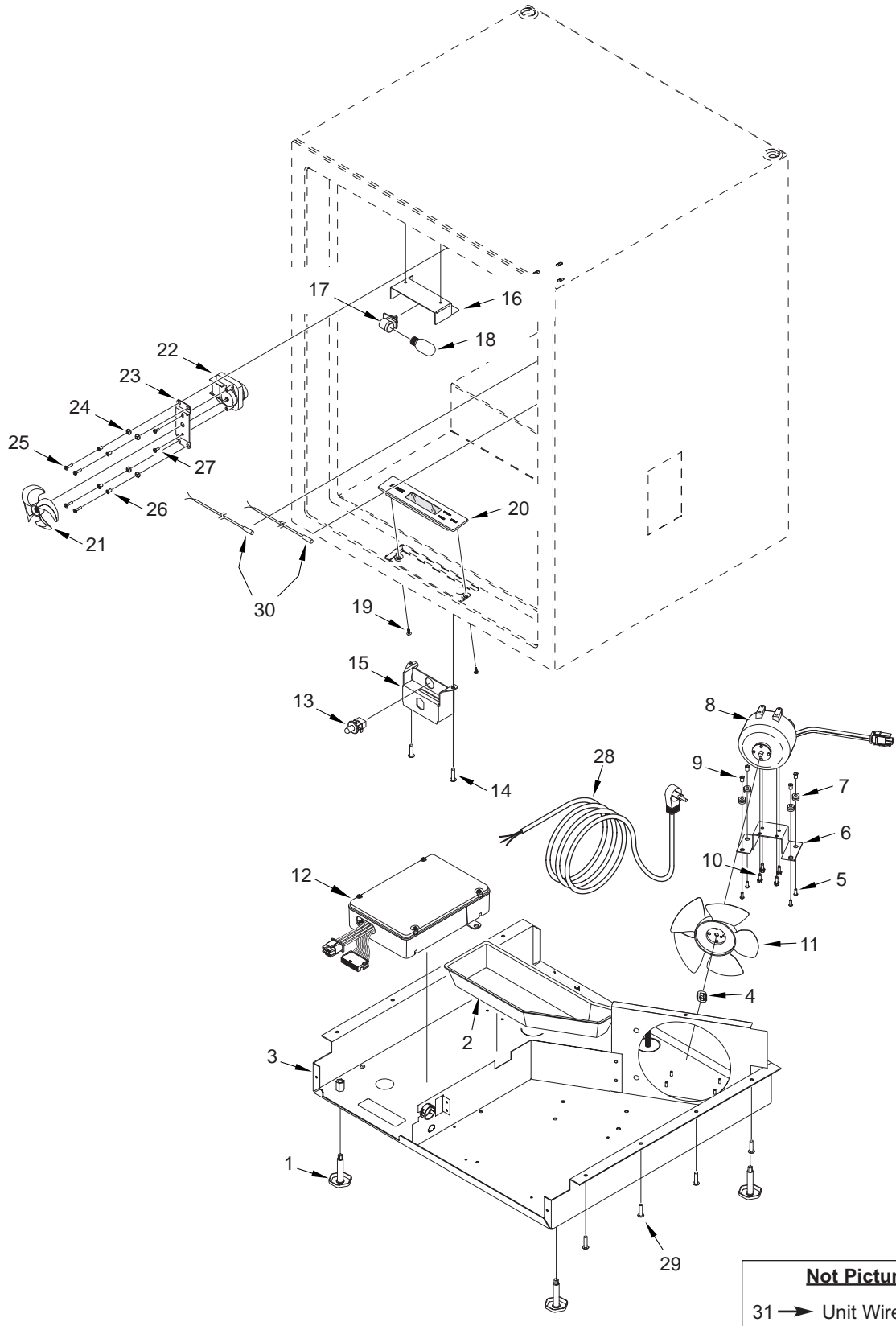
<u>Ref #</u>	<u>Part #</u>	<u>Description</u>	<u>Ref #</u>	<u>Part #</u>	<u>Description</u>
1	3570050	Leveling Leg, #18-3/8 x 1"	16	0212932	Bracket, Light SRVC-Base
2	7002138	Drain Pan, Svce	17	3050220	Socket, Light Int Base Sngl
3	7002679	Unit Tray Assy, Svce	18	3030060	Bulb, Light 25W 1X2-1/2
4	6150410	Nut, 1/4-20	19	6200860	Screw, #8 x 1/2" PH TRDH Hi-lo
5	6200610	Screw, #6-32 x 3/8" PH Rd Hd, Zinc	20	7002117	Display Assy, Ref Svce
6	0263131	Bracket, Condenser Srvc	21	3150640	Blade, Evap Fan
7	3220160	Grommet, 3/16" x 7/16" x 9/32"	22	4220801	Motor Assy, Evap Fan Srvc
8	3150930	Motor, Condenser 1 WATT	23	0212330	Bracket, Evap Fan Motor
9	6220290	Stand-Off, #6-32	24	3220250	Grommet, Rubber-M5351
10	6201580	Screw,#8-36 X 1/2 Nylon Patch	25	6201270	Screw, #8-18 x 5/8" PH PN SS-Gnd
11	3150940	Blade, Condenser Fan	26	3520120	Insert, Br ass 3/16X9/32
12	7002137	Control Assy, U/C Svce	27	6110270	Bolt, #10-32 x 1/4" RD HD
13	7004258	Switch, Light Black Svce	28	7002328	Cord, Power Svce
14	6201370	Screw, #10-24X1/2 Tamper Proof	29	6110020	Bolt, #10-24 x 3/8" Truss HD
15	7002237	Bracket, Switch Svce	30	4204740	Therm Assy, Svce

Not Pictured:

31	7002235	W/H, Ref Svce
----	---------	---------------



UC-24RO MECHANICAL VIEW



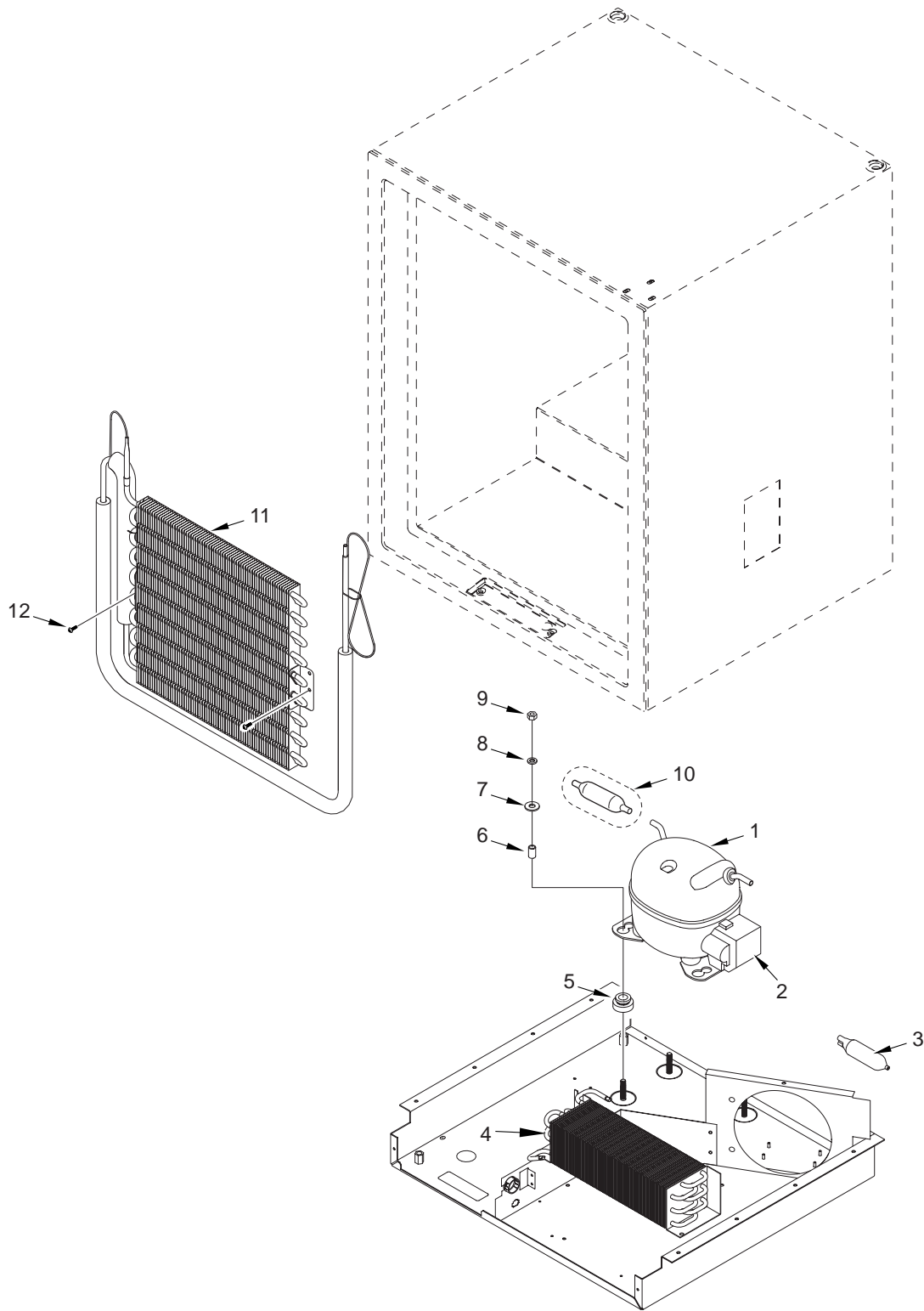
Not Pictured:
31 → Unit Wire Harness

**UC-24RO SEALED SYSTEM VIEW PARTS LIST**

<u>Ref #</u>	<u>Part #</u>	<u>Description</u>
1	7002177	Compressor, Svce (EMU45HSC) (Includes Electricals and Drier)
2	7000964	Electricals, Compressor, EMU45
	3112500	Capacitor, 12 Mf
	3112420	Term Cvr Spring, EGZ80
3	3014230	Filter-Drier, High Side
4	7002176	Condenser, Svce (Includes Drier)
5	3150010	Mount, Rubber #70456-1
6	6160030	Spacer, 5/16 x 7/16 x 5/8"
7	6240050	Washer, Flat 5/16"
8	6240090	Lock Washer, 5/16"
9	6150220	Nut, 5/16-18 Hex Zinc
10	3014100	Drier, Suct Line (Service Only)
11	3130640	Evaporator, Ref
	7002174	Evap Assy, Svce (Includes Heat Exchanger & Drier)
12	6201270	Screw, #8-18 x 5/8" PH PN SS-Gnd



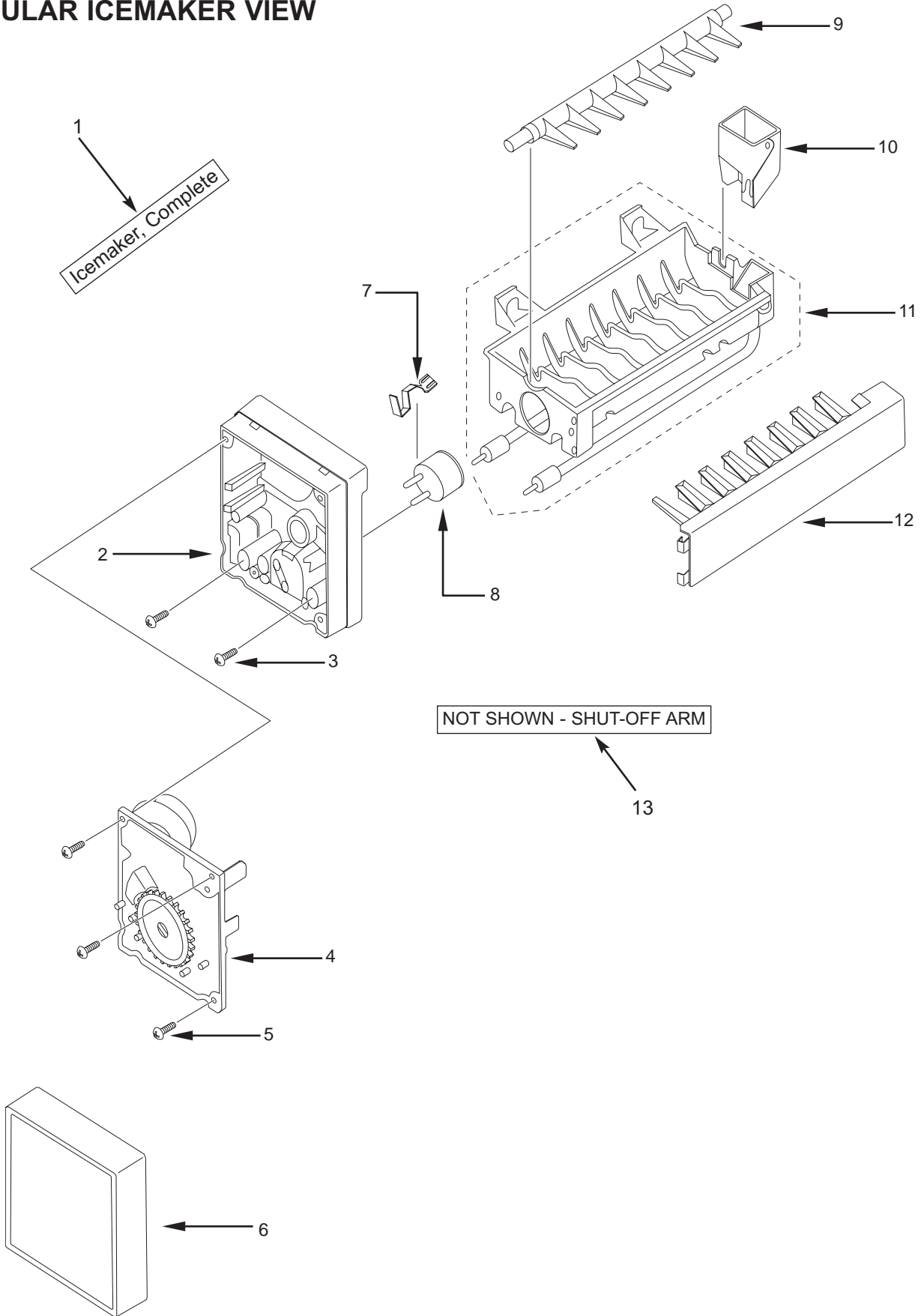
UC-24RO SEALED SYSTEM VIEW



**MODULAR ICEMAKER PARTS LIST**

<u>Ref #</u>	<u>Part #</u>	<u>Description</u>
1	4200520	Ice Maker Assy, Replacement (Modular Icemaker)
2	627790	Support/IM Housing
3	489163	Screw #10-32 X 43/64
4	628366	Module & Motor Assembly
5	681249	Screw
6	3140160	Icemaker Cover
7	627796	Thermostat Retainer
8	627985	Thermostat
9	627843	Ejector
10	628356	Bearing & Inlet
11	628228	Mold & Heater Assembly
12	2182124	Ice Stripper
13	3140181	Shut-off Arm

MODULAR ICEMAKER VIEW





A large rectangular area filled with horizontal lines, intended for listing parts and exploded views.