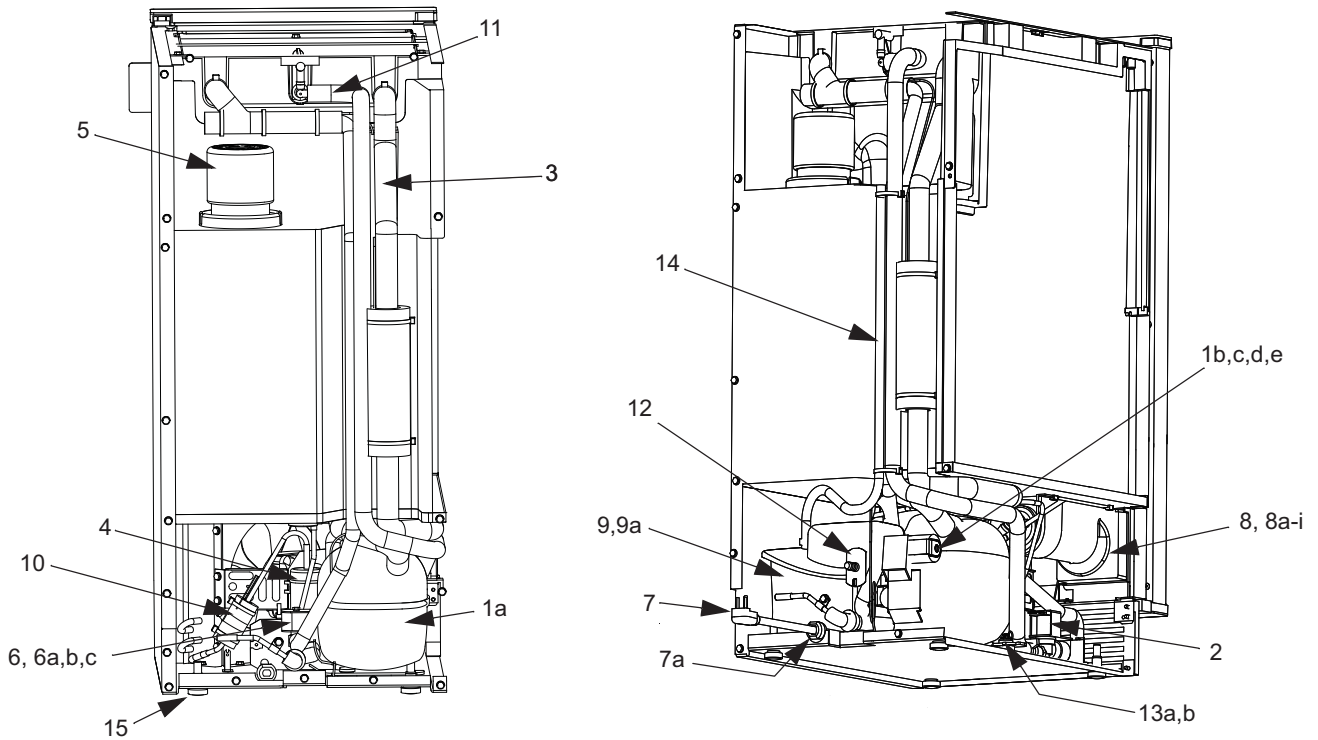




# SERVICE PARTS MANUAL



# ***MODEL UC-15I*** ***(Undercounter Ice Machine)***



INTRODUCTION

This Sub-Zero Service Parts Manual (Job Aid Part #7014804) is a compilation of information and illustrations from Sub-Zero, Inc. and Manitowoc FSG Operations, Inc. The information in this manual has been produced for Sub-Zero service training and service repair purposes with permission from Manitowoc FSG Operations, Inc.

NOTE: The following may be listed after some part descriptions:

“(See SN Breaks)” = See Serial Number Breaks in Price List

TABLE OF CONTENTS

Table with 2 columns: Item Name and Page #. Items include Model UC-15I Control Box Area (2), Model UC-15I Evaporator and Ice Bin Area (3), Model UC-15I Refrigeration Compartment Common Components (4), Model UC-15I Refrigeration Compartment Condensing Components (5), and Model UC-15I Panels (6).

TECHNICAL ASSISTANCE

If you should have any questions regarding the appliance and/or this manual, please contact:

Sub-Zero, Inc.
ATTN: Service Department
P.O. Box 44988
Madison, WI 53744 - 4988

Customer Assistance
Phone #: (800) 222 - 7820
Facsimile #: (608) 441 - 5887

Technical Assistance
(For Technicians in Customer's Homes Only)
Phone #: (800) 919 - 8324

Warranty Claims
Phone #: (800) 332 - 9513
Facsimile #: (608) 441 - 5886

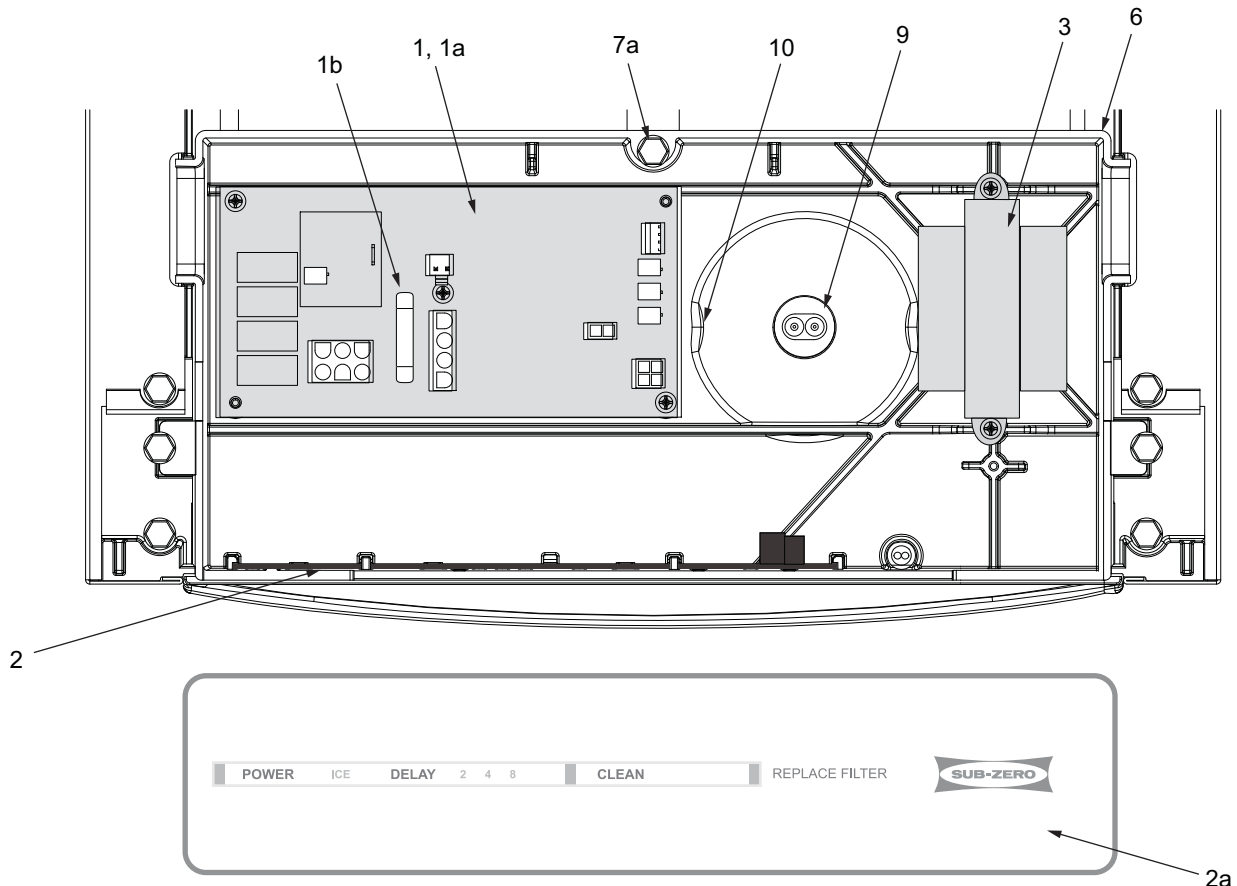
Service Department e-Mail Address:
customerservice@subzero.com

Main Office Hours:
8:00 AM to 5:00 PM Central Time
Monday through Friday
(24/7 Phone Coverage)

This manual is designed to be used by Authorized Service Personnel only. Sub-Zero, Inc. assumes no responsibility for any repairs made to a Sub-Zero appliance by anyone other than Authorized Service Technicians.

The information and images contained in this manual are the copyright property of Sub-Zero, Inc. Neither this manual nor any information or images contained herein may be copied or used in whole or in part without the express written consent of Sub-Zero, Inc. ©, all rights reserved.

UC-15I CONTROL BOX AREA



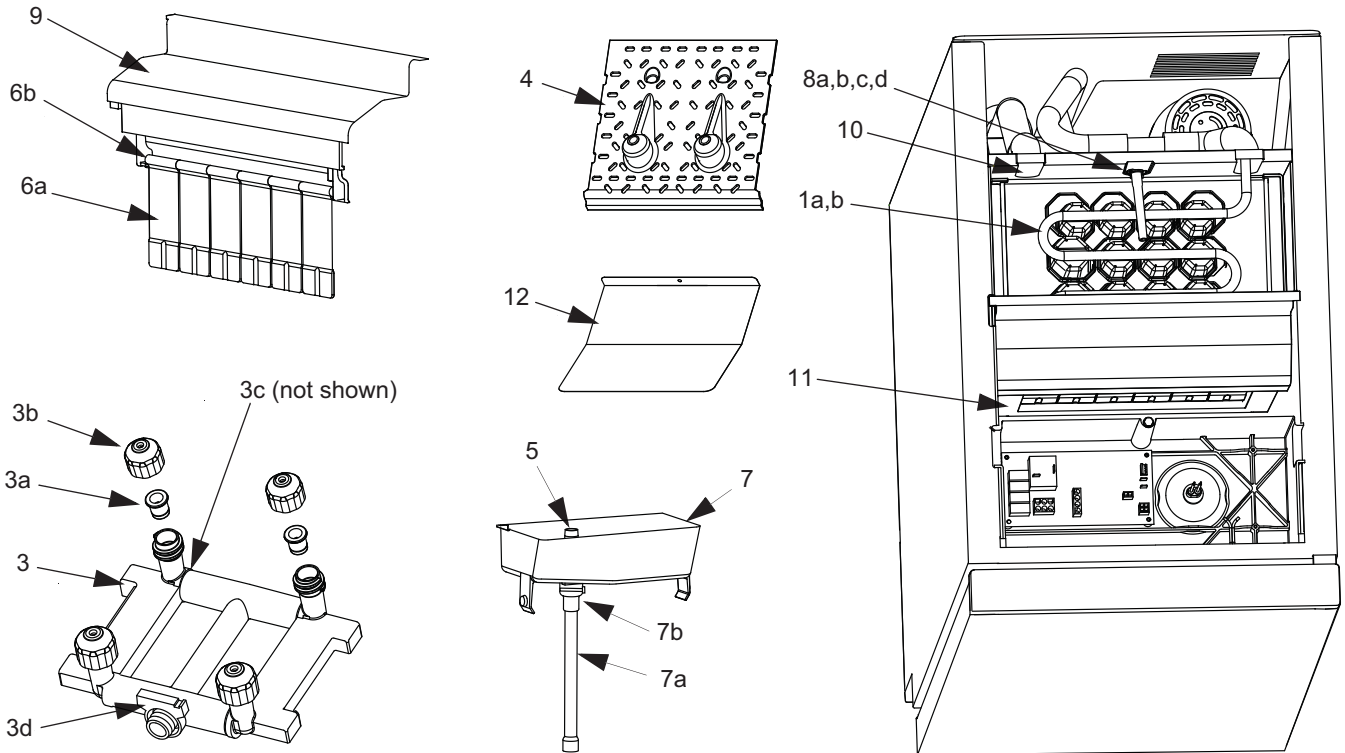
**NOT PICTURED**

- 11 Wire Harness - Control Panel to Control Board
- 12 Control Box Cover
- 13 Wire Harness - Proximity Switch
- 14 Wire Harness, High Voltage - Harvest Valve, Water Inlet Valve
- 15 Wire Harness, Low Voltage - Toggle Switch, Thermistor
- 16 Light bulb

Ref #	Part #	Description
1	7013048	Control, Board Main Svce
1a	7013089	Control, Board Pkg Svce (Includes Control Board & User Interface Board)
1b	7013093	Control, Board 10 Amp Fuse Svce
2	7013049	Control, Board User Interface
2a	7013083	Label, Control Board Svce
3	7013047	Transformer, Svce
4	NA	
5	NA	
6	7013476	Control Box & Label Svce
7	NA	
7a	7013107	Screw, Svce

Ref #	Part #	Description
8a	NA	
8b	NA	
9	7013053	Lampholder, Svce
10	7013055	Cover, Bin Light Svce
<b>NOT PICTURED:</b>		
11	7013050	W/H, Service
12	7013052	Control, Box Cover Svce
13	7013051	Switch, Proximity Svce
14	7013056	W/H, High Voltage
15	7014846	W/H, Low Voltage
16	7013054	Lamp, Light Bulb Svce

### UC-15I EVAPORATOR AND ICE BIN AREAS (Inlc. Bin Thermostat and related Parts)



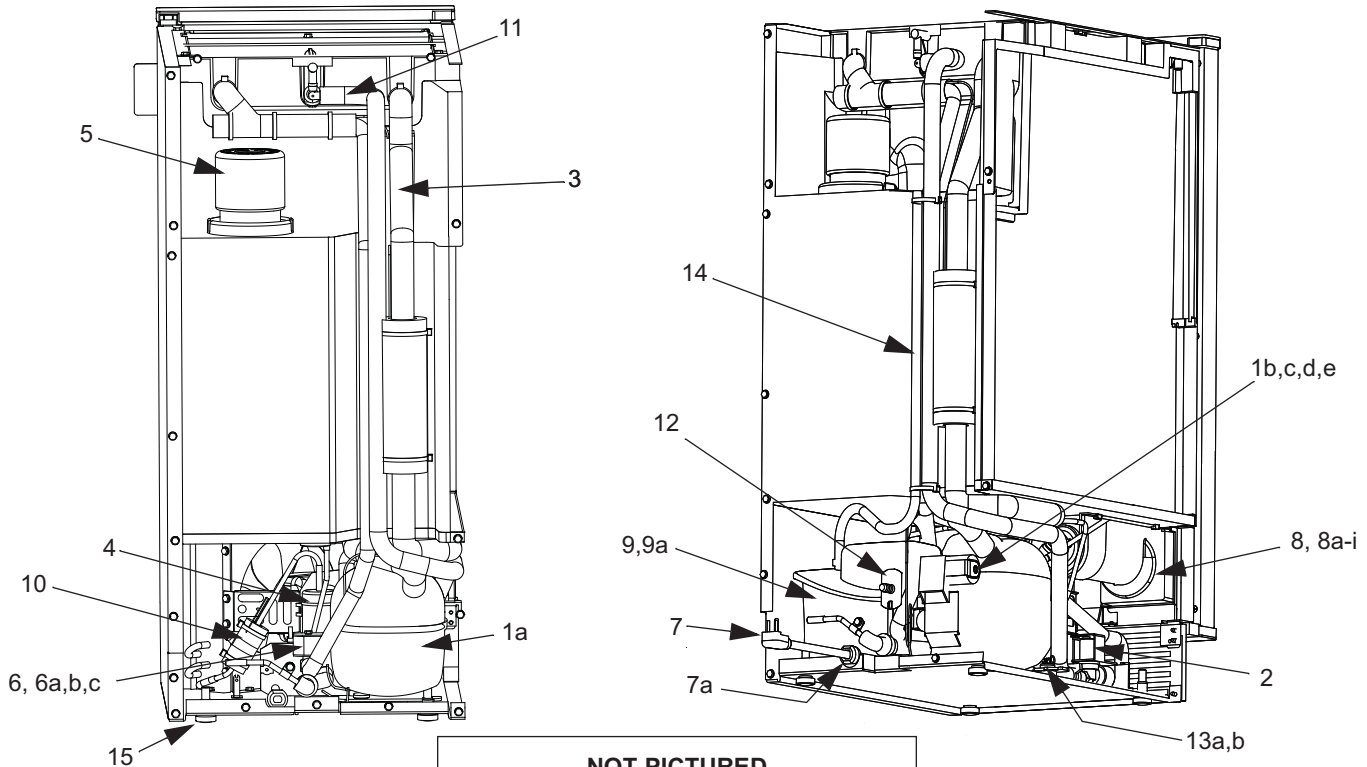
**NOT PICTURED**

- 13a Bin Thermostat Control
- 13b Bin Thermostat Clip
- 13c Bin Thermostat Bracket
- 14 Ice Machine Cleaner
- 15 Ice Machine Sanitizer

Ref #	Part #	Description	Ref #	Part #	Description
1a	7013097	Evap Assy, Svce	8b	7013208	Tube, Evap Water Svce
1b	7013090	Evap Assy, Heat Exchanger Svce	8c	7013111	Seal, O-Rings Svce
2	NA		8d	7014847	Bracket, Retaining Svce
3	7013200	Bar, Spray Assy Svce	9	7013220	Cover, Evap Svce
3a	7013101	Nozzle, Insert Svce (each)	10	7013726	Foam, Insert Svce
3b	7013100	Nozzle, Svce (each)	11	7013659	Enclosure, Evap/Spray Bar Svce
3c	7013110	Seal, O-Rings Svce (not shown)	12	7013477	Guard, Splash Shield Svce
3d	7013115	Clamp, Spray Bar			
4	7013218	Support, Ice Ramp Svce SVCE	<b>NOT PICTURED:</b>		
5	7013057	Tube, Standpipe Svce	13a	7013489	Bin, Thermostat Svce (Includes Bin Thermostat Tube)
6a	7013217	Guard,Curtain Paddle Svce (6 per unit)	13b	7013482	Clip, Bin Svce
6b	7013059	Rod, Curtain Svce	13c	7013209	Bracket, Svce
7	7013219	Bin, Water Trough Svce	14	7013400	Cleaner, Metal Safe
7a	7013060	Tube, Drain Trough Svce	15	7013401	Sanitizer
7b	7013112	Clamp, Svce			
8a	7013207	Fitting, Evap Water Inlet Svce			



**UC-15I REFRIGERATION COMPARTMENT - COMMON COMPONENTS**



**NOT PICTURED**

- 16 Bin Drain Tube (w/Drain Pump)
- 17 Bin Drain Tube (w/o Drain Pump)
- 18 Drain Pump Discharge Tube
- 19a Drain Pump Clamp, 12mm ID
- 19b Drain Pump Clamp, 13mm ID
- 19c Drain Pump Clamp, 22mm ID
- 20 Drain Tube (19mm ID X 5' Long)

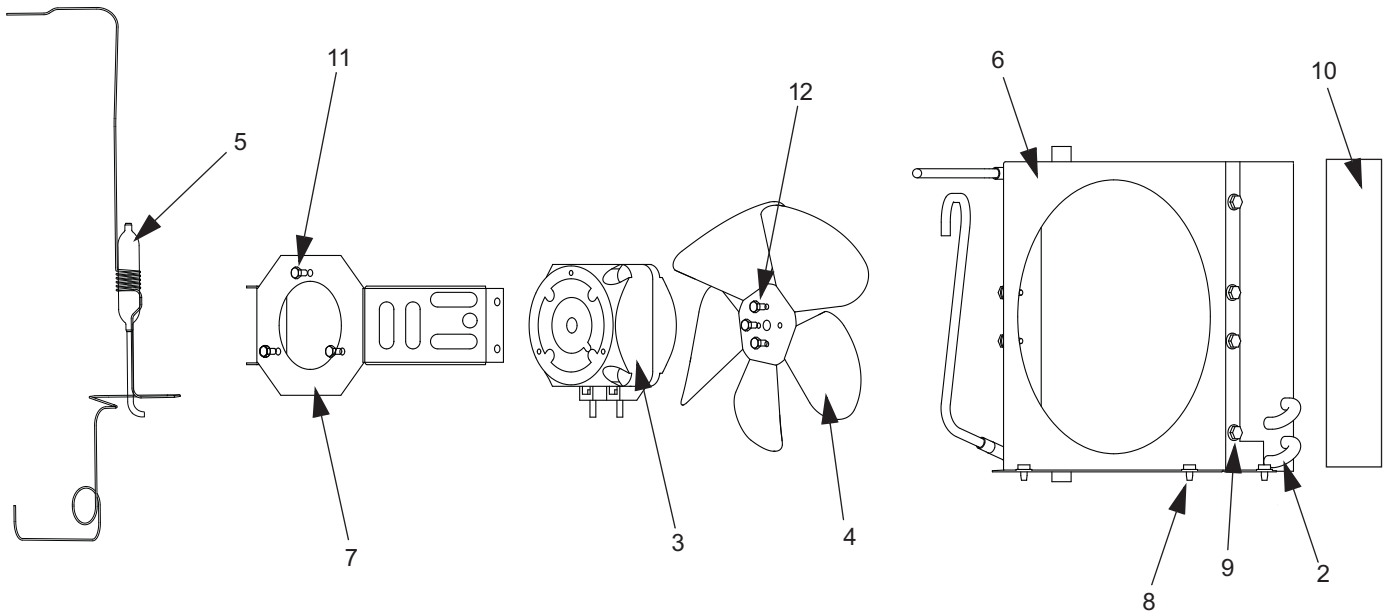
Ref #	Part #	Description
1a	7013091	Compressor, Drier Assy, Svce
1b	7013061	Relay, Start Svce
1c	7013204	Cover, Start Relay Svce
1d	7013062	Capacitor Start Svce
1e	7013063	Overload Protector, Svce
2	7013201	Valve, Harvest Svce
3	7013065	Heat Exchanger, Svce
4	7013202	Drier, Line Svce
5	7013196	Pump, Water (Circulating Pump)
6	7013066	Valve, Water Inlet Svce
6a	7013068	Valve, Water Inlet Bracket Svce
6b	7013067	Valve, Water Inlet Nut Svce
6c	7013069	Valve, Water Inlet Sleeve Svce (Cmprsn)
7	7013070	Cord, Power Svce
7a	7013094	Bushing, Strain Relief Svce
8	7014848	Filter, Water (Sales Accessory)
8a	7013725	Tube, Water Inlet Svce
8b	7013490	Filter, Head Svce
8c	7013046	Fitting, Svce
8d	7013071	Clamp, Svce
8e	7013205	Enclosure, Svce
8f	7013058	Tube, Adapter (Quick-Connect)

Ref #	Part #	Description
8g	7013046	Fitting, Svce
8h	7013045	Tube, Holder 90 Degree Svce
8i	7013099	Tube, Water Line Svce (Filter & Evap)
9	7013197	Pump, Drain Svce
9a	7016314	Pump, Retrofit Kit (Sales Accessory)
10	7013092	Thermistor, Svce
11	7013505	Tube, Spray Housing Svce
12	7013102	Fitting, Drain Svce
13a	7013114	Clip, Compressor Svce (Hairpin)
13b	7013064	Grommet, Comp Rubber Svce
14	7013487	Tube, Vent Svce
15	7013113	Leg, Leveler Svce

**NOT PICTURED:**

16	7013198	Tube, Drain, w/Drain Pump Svce
17	7013199	Tube, Drain, w/o Drain Pump Svce
18	7013488	Tube, Drain Svce
19a	7013479	Clamp, Spring Svce
19b	7013480	Clamp, Spring Svce
19c	7013481	Clamp, Spring Svce
20	7013095	Tube, Drain Svce

UC-15I REFRIGERATION COMPARTMENT - CONDENSING COMPONENTS



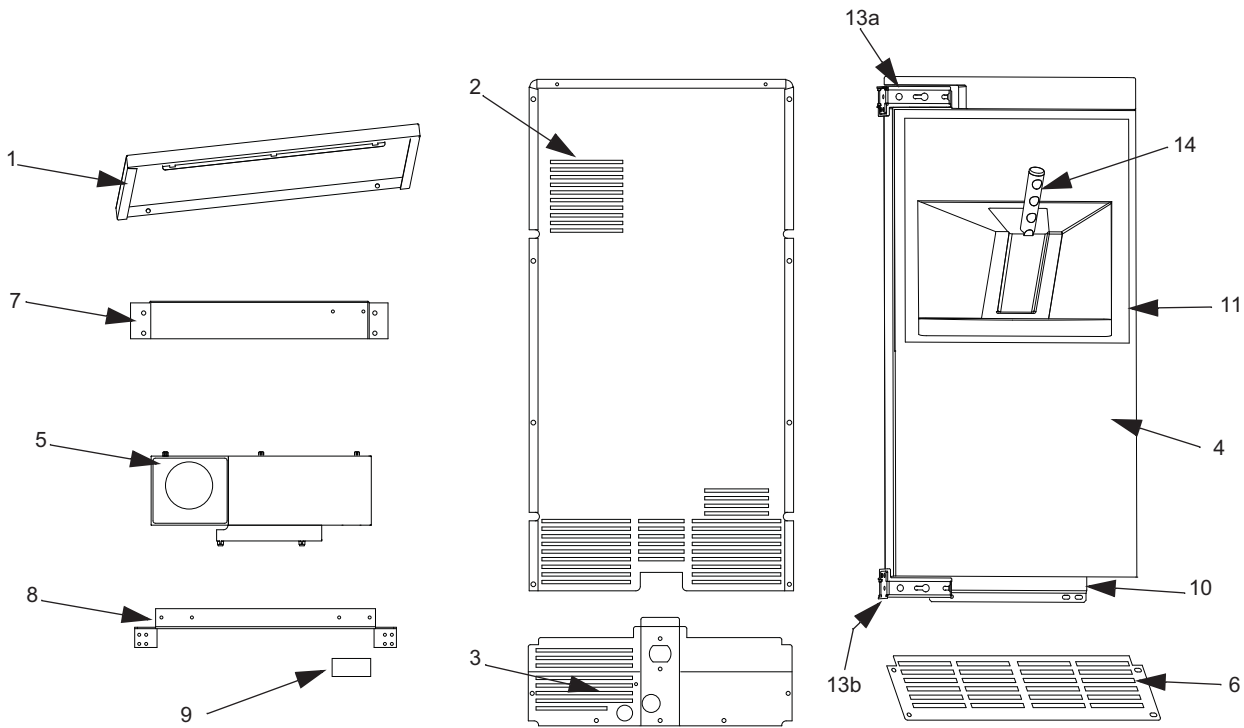
**Ref #    Part #    Description**

1	NA	
2	7013203	Condenser, Air Svce
3	7013072	Motor, Fan Svce (Outdoor Use Only)
	7014173	Motor, Fan Indoor Svce (Indoor Only)
4	7013096	Fan Blade, Svce
5	7013065	Heat Exchanger, Svce
6	7013117	Shroud, Fan Svce

**Ref #    Part #    Description**

7	7013116	Bracket, Condenser Fan Svce
8	7013118	Bracket, Wire Mount Svce
9	7013105	Screw, Svce (Bracket to Shroud)
10	7013073	Baffle, Air Svce
11	7013106	Screw, Svce (Motor to Bracket)
12	7013108	Screw, Svce

UC-15I PANELS



**NOT PICTURED**

- 15 Bin Front with Heater Assy
- 16 Door Panel Drilling Template
- 17 Hinge Stop
- 18 Right Hinge Cover
- 19 Left Hinge Cover
- 20 Vertical Door Panel Mounting Bracket
- 21 Filler Panel for 18" Opening (Sales Accessory)
- 22 Stainless Steel Front Panels (Sales Accessory)

Ref #	Part #	Description	Ref #	Part #	Description
1	7013080	Cover, Top Svce			<b>NOT PICTURED:</b>
2	7013086	Panel, Back Svce	15	7013478	Kit, Heater & SS Panel Svce
3	7013087	Panel, Back Utility Svce	16	7014915	Template, Door Panel Svce
4	7013216	Door Assy, Front Svce	17	7013076	Hinge, Stop Svce
5	7013660	Cover Assy, Lower Svce	18	7013078	Cover, Hinge Right Svce
6	7013399	Kickplate, Black Svce	19	7013079	Cover, Hinge Left Svce
	7013395	Kickplate, Stainless Steel Svce	20	7013413	Bracket, Door Panel Svce
7	7013081	Frame, Top Front Rail Svce	21	7012363	Filler, 15" to 18" (Sales Accessory)
8	7013082	Frame, Bottom Front Rail Svce	22	7006800	Pnl, 15X30.375, PH
9	7013206	Slide, Bottom Svce		7006801	Pnl, 17.75X30.375, PH
10	7013077	Trim, Door Bottom Svce		7006876	Pnl, 15X30.375, CH
11	7013084	Seal, Door Svce		7006877	Frnt Pnl, 18" 315I SS CH
12	NA			7007198	Pnl, 15X30.375,OBR,CLSC,TH
13a	7013485	Hinge, Outdoor Svce (Top RH, Bot LH)		7007199	Pnl, 17.75X30.375,OBR,CLSC,TH
13b	7013486	Hinge, Outdoor Svce (Bot RH, Top LH)			
14	7013475	Door, Ice Scoop Svce			